

Assembly instructions

Activity toys to be assembled by adults for outdoor domestic use.

Montageanleitung

Aktivitätsspielzeug zum Zusammenbauen durch Erwachsene für den Einsatz im häuslichen Außenbereich.

Instructions de montage

Jouets d'activité à assembler par des adultes pour une utilisation extérieure familial.

2

PART

Design Code : **W9apw8**
Article Number : **211036, 401_080**
Product Name : **Jungle Lodge 2.1**








Jungle Gym

BACKYARD PLAYGROUNDS

since 1988

Manual ID: 040_020_2414

| | | |
|---|---|--|
| <p>Assembly time</p>  <p>hours by 2 adults</p> | <p> EN. Warning! Only for domestic use. Maximum number of users is 6. DE. Achtung! Nur für den Hausgebrauch. Maximale Benutzerzahl: 7 FR. Attention! Réserve à un usage familial. Le nombre maximal d'utilisateurs est de 6. BG. Внимание! За употреба само в домашни условия. Максималният брой потребители е 6. CS. Varování! Jen pro domácí použití. Maximální počet uživatelů je 7 DA. Advarsler! Kun til privat brug. Maksimum antal brugere er 6. EL. Προειδοποίησης! Μόνο για οικιακή χρήση. Μέγιστος αριθμός χρηστών 6. ES. Advertencias! Sólo para uso doméstico. Número máximo de usuarios: 6. ET. Hoiatused! Ainult koduseks kasutamiseks. Maksimaalne kasutajate arv on 6. FI. Varoitukset! Ainoastaan kotikäyttöön. Käyttäjää yhteensä enintään 6. HR. Upozorenja! Samo za uporabu u domu. Maksimalan broj korisnika je 6. HU. Figyelmeztetések! Csak otthoni használatra! A használók max. száma: 6. IS. Varnaðarorð! Eingöngu fyrir einkanotkun í heimahúsum og á einkalóum. Hámarksfjöldi notenda er 6. IT. Avvertenze! Solo per uso domestico. Massimo numero di utenti è 6. LT. Dėmesio! Tik buitiniam naudojimui. Maksimalus naudotojų skaičius 6. LV. Brīdinājumi. Izmantot tikai mājās. Maksimālais lietotāju skaits ir 6. NL. Waarschuwing! Uitsluitend voor huishoudelijk gebruik. Het maximale aantal gebruikers is 6. NO. Advarsler! Kun for privat bruk. Maksimalt antall brukere er 6. PL. Ostrzeżenia! Wyłącznie do użytku domowego. Maksymalna liczba użytkowników to 6. PT. Avisos! Apenas para uso doméstico. O número máximo de utilizadores é 6. RO. Avertisment! Numai pentru uz domestic. Numărul maxim de utilizatori este 6. SK. Upozornenia! Iba na domáce použitie. Maximálne množstvo osôb je 6. SL. Opozorila! Samo za domačo uporabo. Maksimalno število uporabnikov je 6. SV. Varningar! Endast för hemmabruk. Det maximala antalet användare är 6.</p> | <p>UK CA CE</p>    |
|---|---|--|

Design code: W9apw8 © 2025 Jungle Gym B.V. Copyrighted material. All rights reserved. Single-owner licensed. No part of this document may be reproduced or utilized otherwise in any form or by any means, electronic or mechanical, including photocopying, or posting on the internet or an intranet, copying and networking prohibited

040_020_2414 P1 20250604



General safety notice

Allgemeine Sicherheitswarnung

Avertissement de sécurité général

OWNER'S MANUAL



Important: Before assembling and using this product, please carefully read the provided Use- and maintenance instructions ([Part 1](#)) and assembly instructions ([Part 2](#)) thoroughly.

Wichtig: Lesen Sie vor der Montage und Benutzung dieses Produkts die beiliegende Gebrauchs- und Wartungsanweisungen ([Teil 1](#)) und die Montageanleitung ([Teil 2](#)) sorgfältig durch.

Important: Avant de monter et d'utiliser ce produit, veuillez lire attentivement. Conseils d'utilisation et d'entretien ([Partie 1](#)) et les instructions de montage ([Partie 2](#)).



1-5

Part 1

Warnings!
Achtung!
Attention!



1-12

Part 1

Potential hazards
Potenzielle Gefahren
Dangers potentiels



1-7

Part 1

Installation notices
Installationsplanung
Planification de l'installation



1-14

Part 1

Assembly instructions
Montageanweisungen
Instructions de montage



1-7

Part 1

Safe play instructions
Sichere Spielanweisungen
Consignes de jeu sécurité



Customer service and support

Kundendienst und Unterstützung

Service clients et support

CONTACT



[Frequently Asked Questions](#)

[Häufig gestellte Fragen](#)

[Foire aux questions](#)

[Veelgestelde Vragen](#)



[Contact form](#)

[Kontaktformular](#)

[Formulaire de contact](#)

[Contactformulier](#)



EU +31 85 44 44 102
International phone charges may apply.

info@junglegym.com

www.junglegym.com

[instagram.com/junglegymofficial](https://www.instagram.com/junglegymofficial)

Availability:

Monday – Thursday:

CET 09:00 AM – 04:00 PM

Friday:

CET 09:00 AM – 01:00 PM



Preparatory work Vorbereitende Arbeiten Travaux préparatoires



**Overview of the total delivery scope
Übersicht über den gesamten Lieferumfang
Aperçu de l'ensemble de la portée de livraison**



OR



To avoid danger of suffocation, please keep the bag away from children.
Um Erstickungsgefahr zu vermeiden, halten Sie die Tüte bitte von Kindern fern.
Pour éviter tout risque d'étouffement, gardez le sac hors de portée des enfants.

Choking hazard – may not be suitable for children under 3 years.
Erstickungsgefahr – möglicherweise nicht geeignet für Kinder unter 3 Jahren.
Risque d'étouffement – peut ne pas convenir aux enfants de moins de 3 ans.

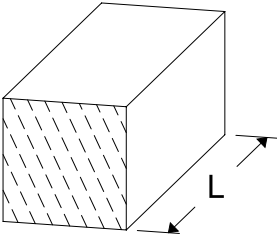
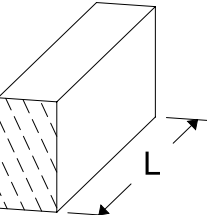
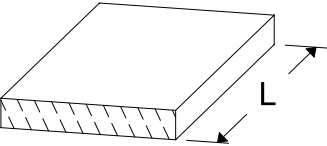


| # | Sub-assembly ID | Description | FFC ID |
|---|-----------------|---------------------|---------|
| 1 | 701_040 | Jungle Lodge 2.1 | 701_040 |
| 1 | 334_x00 | Wavy Star Slide XXL | 334_x00 |

Identifying and inventorying of the individual timber parts
Identifizierung und inventarisieren der der einzelnen Holzteile
Identification et inventorier les pièces en bois individuels

L

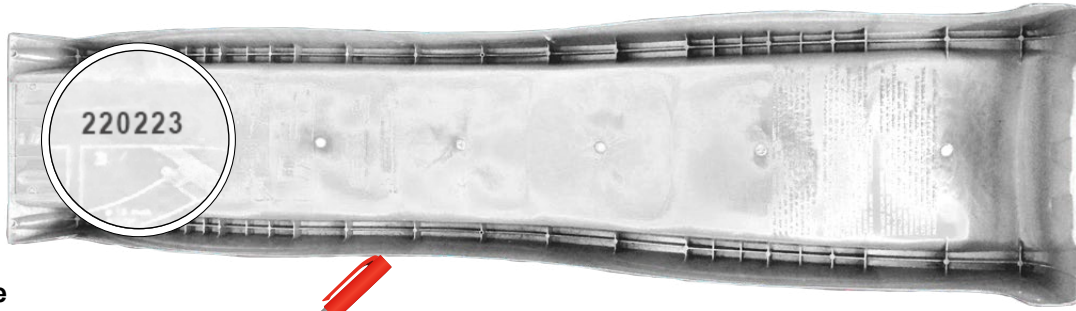
601_042 Timber pack Jungle Lodge 2.1

| | | | |
|---|---------------------------------------|---|---|
| <p>A</p>  | <p>A240</p> | <p>239cm - 240cm</p> | <p>4x</p> |
| <p>C</p>  | <p>C206 C114 C96 C90</p> | <p>205cm - 206cm 113cm - 114cm 95cm - 96cm 89cm - 90cm</p> | <p>2x 9x 2x 2x</p> |
| <p>D</p>  | <p>D120 D114 D100 D65</p> | <p>119cm - 120cm 113cm - 114cm 99cm - 100cm 64cm - 65cm</p> | <p>3x 12x 14x 23x</p> |

21-Oct-2021

Manual ID: 040_020_2414

Identification, inventorying, and registering of the individual accessories and parts
 Identifizierung, inventarisieren und registrieren von der einzelnen Zubehör und Teilen
 Identification, inventorier et enregistrer les accessoires et pièces individuels



Example

No: LOT ID:
 2 2 0 2 2 3

No: LOT ID:

1. [][] _ [][][][]

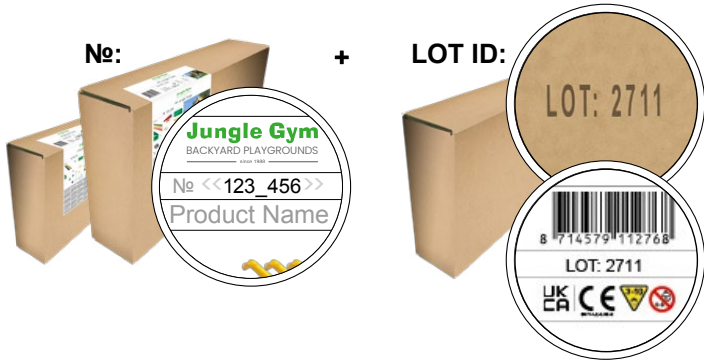
2. [][] _ [][][][]

No: LOT ID:

3. [][] _ [][][][]

4. [][] _ [][][][]

Identification, inventorying, and registering of the individual assembly kits
 Identifizierung, inventarisieren und registrieren der der einzelnen Bausätze
 Identification, inventorier et enregistrer les kits de construction individuels



Example

No: LOT ID:
 1 2 3 4 5 6 2 7 1 1

No: LOT ID:

1. [][][] _ [][][][]

2. [][][] _ [][][][]

3. [][][] _ [][][][]

4. [][][] _ [][][][]

5. [][][] _ [][][][]

No: LOT ID:

6. [][][] _ [][][][]

7. [][][] _ [][][][]

8. [][][] _ [][][][]

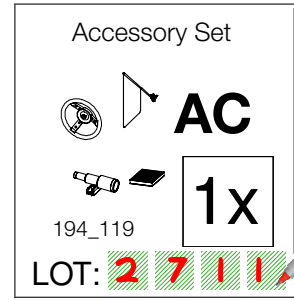
9. [][][] _ [][][][]

10. [][][] _ [][][][]

Identification, inventorying, and registering of the individual assembly packs
Identifizierung, inventarisieren und registrieren der einzelnen Baupakete
Identification, inventorier et enregistrer les packs de construction individuels



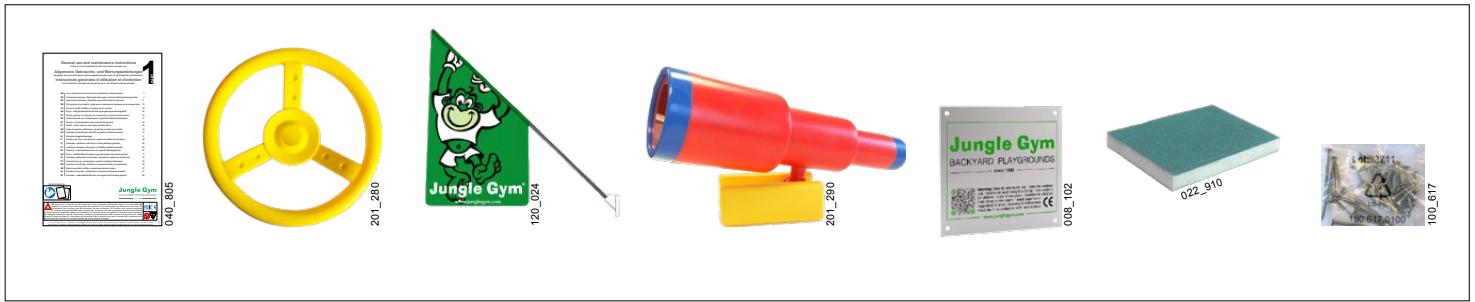
Example



| | | | | |
|------------------------------|---|---|---|--|
| <p>1x 040_910</p> | <p>1x 123_200</p> | <p>4x 005_03x</p> <p>8x 022_835</p> | <p>5x 005_50x</p> | <p>3x 120_102</p> <p>2x 022_320</p> <p>4x 001_404</p> |
| <p>2x 007_001</p> | <p>1x 100_030</p> <p>1x 104_107</p> | | <p>1x 123_222</p> <p>120 cm</p> <p>Canvas</p> | <p>1x 201_275</p> <p>1x 334_x00</p> <p>FMP / Slide</p> |

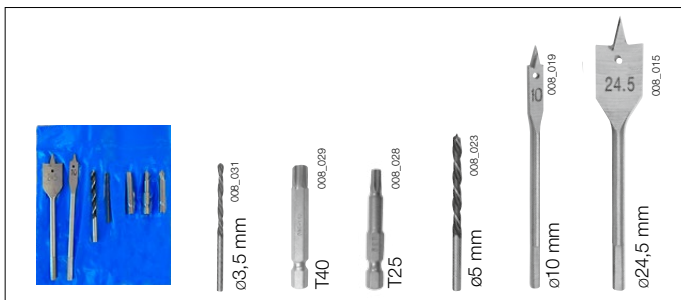
Manual ID: 040_020_2414

Overview of the contents of the standard included start package
Übersicht über den Inhalt des standardmäßig enthaltenen Startpakets
Aperçu du contenu du pack de démarrage inclus standard



194_119

Overview of the bit and drill bit references
Übersicht über die Bit- und Bohrer-Referenzen
Aperçu des références des embouts et des forêts



104_107

Overview of all hardware and part references for identification
Übersicht über alle Hardware- und Teile-Referenzen zur Identifizierung
Aperçu de toutes les références de matériel et de pièces pour identification

| | | # | L |
|--|--|---------|--------|
| | | 001_404 | 30 mm |
| | | 001_406 | 45 mm |
| | | 001_411 | 60 mm |
| | | 001_417 | 80 mm |
| | | 001_422 | 137 mm |
| | | 001_102 | 30 mm |
| | | | |
| | | 000_101 | 20 mm |
| | | | |
| | | 002_036 | 16 mm |
| | | | |
| | | 002_041 | 20 mm |
| | | | |
| | | 002_042 | 13 mm |
| | | | |
| | | 002_301 | 40 mm |
| | | | |

| | | # | L |
|--|--|---------|--------|
| | | 002_308 | 20 mm |
| | | 002_219 | 30 mm |
| | | 002_220 | 45 mm |
| | | 002_223 | 80 mm |
| | | 004_050 | 22mm |
| | | | |
| | | 003_010 | |
| | | 003_034 | |
| | | 022_845 | Yellow |
| | | 022_846 | Blue |
| | | 022_847 | Green |
| | | 022_848 | Red |
| | | 023_031 | White |
| | | | |
| | | 120_005 | White |
| | | | |



Complete climbing frame identification and registration

Identifizierung und Registrierung des kompletten Klettergerüsts

Identification et enregistrement de la structure d'escalade complète

Your Design Code
Ihr Designcode
Votre code de design

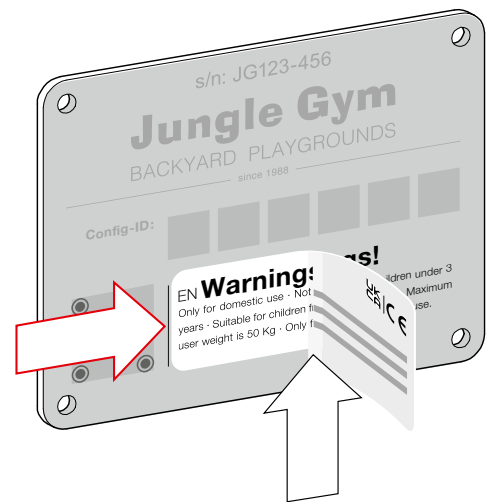


Complete climbing frame identification

Identifizierung des kompletten Klettergerüsts

Identification de la structure d'escalade complète

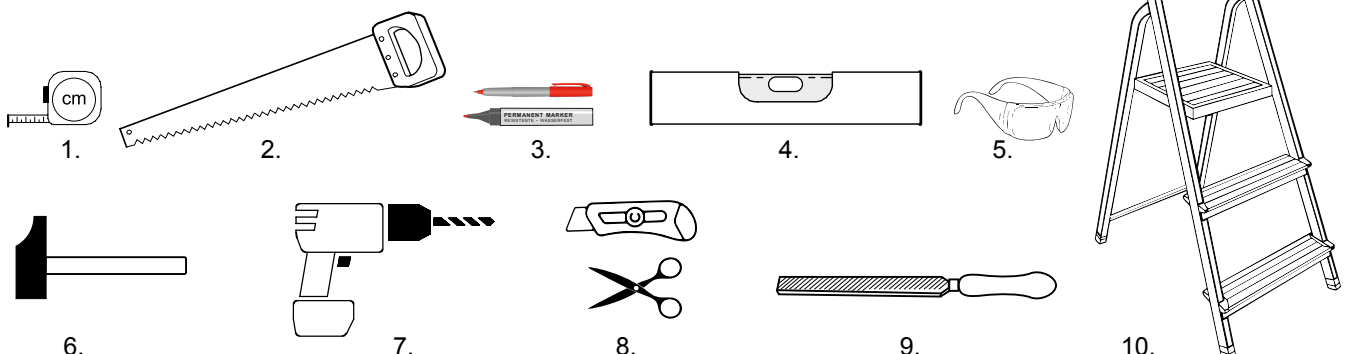
| | | |
|--------------|------------------|---------------|
| Achtung! | Attenzione! | Waarschuwing! |
| Binnenkant! | Advertencia! | Varovnost! |
| Advarsel! | Hoteltavla! | Pozor! |
| Rabbadhi! | Avvertenza! | Brisljivost! |
| Keşidim! | Figyelmeztetés! | Upozorenje! |
| Advarsel! | Ostrazenie! | Atencion! |
| Advertencia! | Предостережение! | Opozorzenie! |
| Teljesítm! | Upozornenie! | Varoitus! |
| Varoitus! | Upozorzenie! | Varoitus! |
| Varoitus! | Upozorzenie! | Varoitus! |



Required tools and materials

Benötigtes Werkzeug und Materialien

Outils et matériaux nécessaires

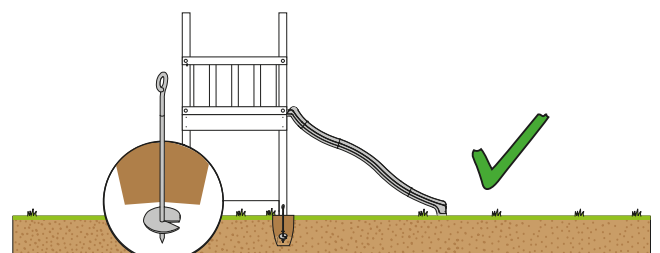
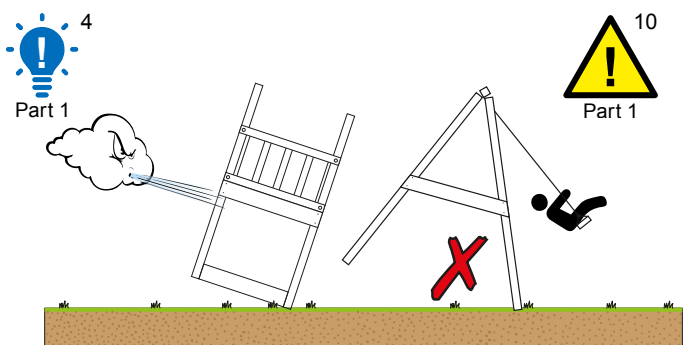
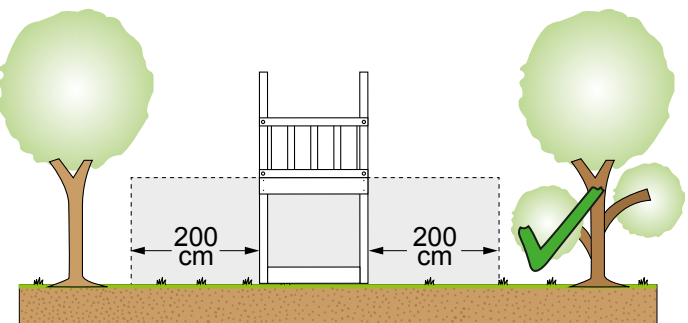
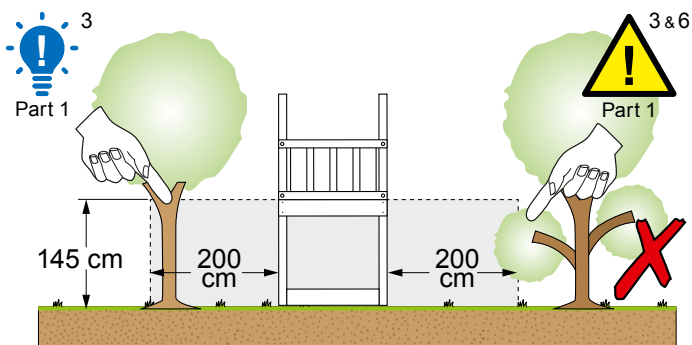
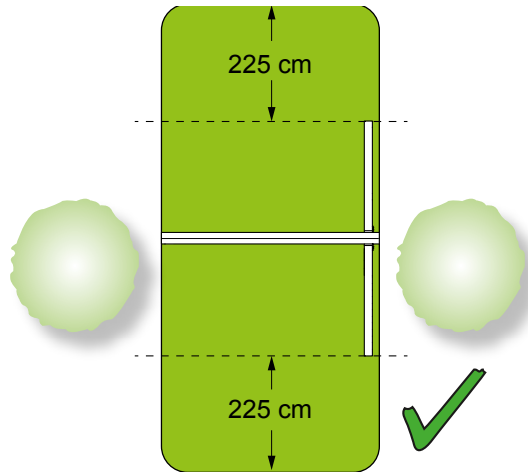
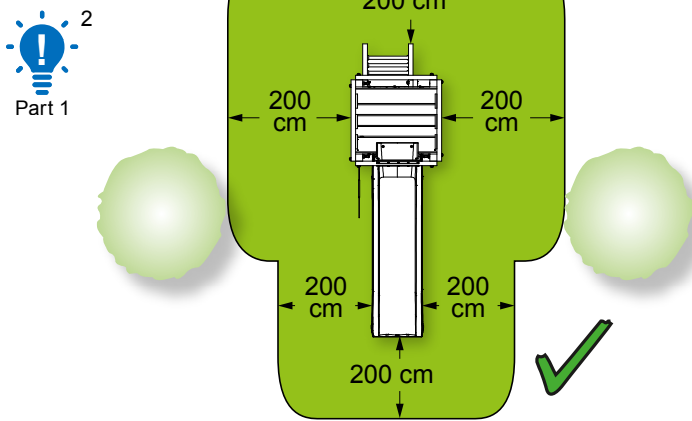
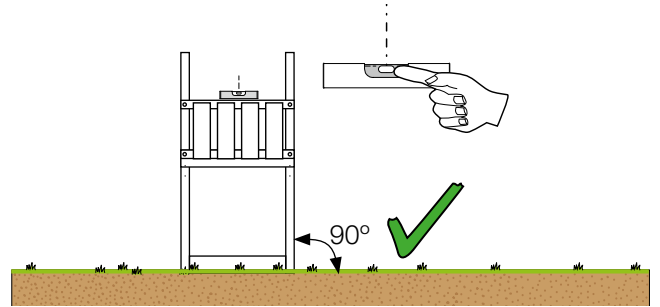
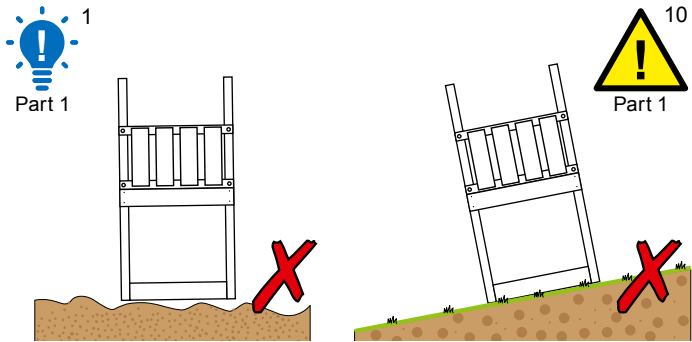




Installation and safety notices

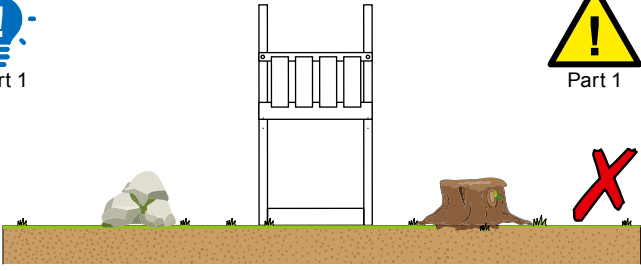
Installationsplanung und Sicherheitshinweise

Planification de l'installation et avis de sécurité



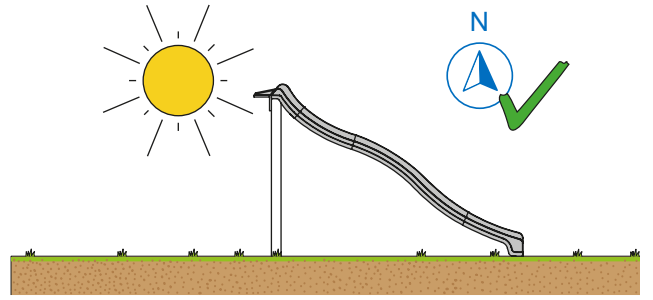
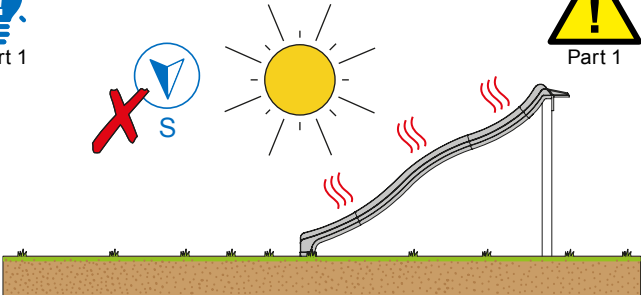
5
Part 1

12
Part 1

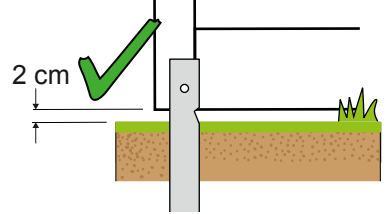
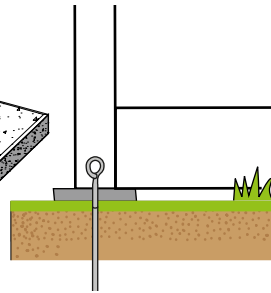
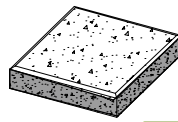
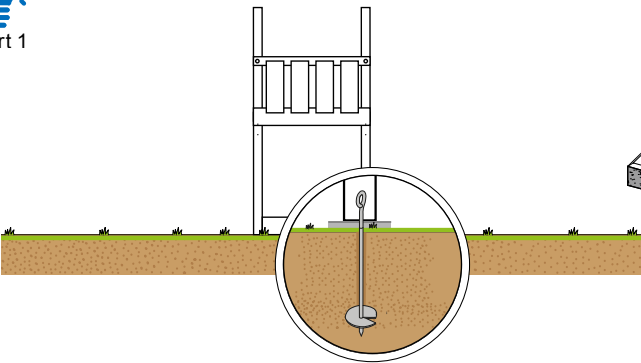


6
Part 1

7
Part 1

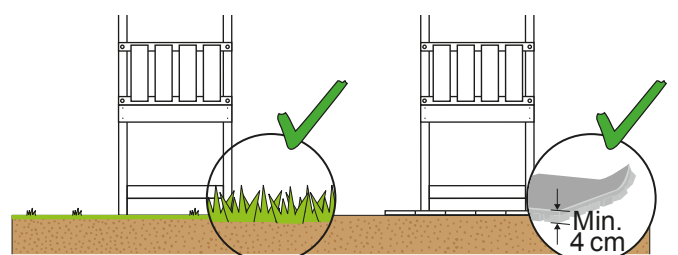
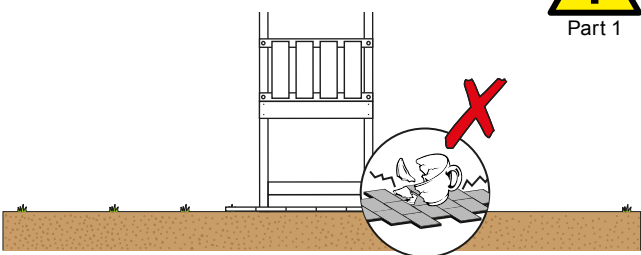


7
Part 1



Shock absorbing surfaces Stoßdämpfende Oberflächen Surfaces d'absorption des chocs

6
Part 1



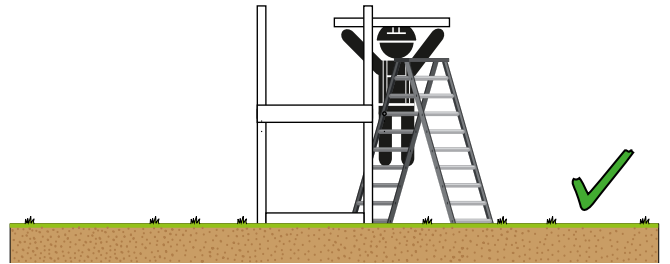
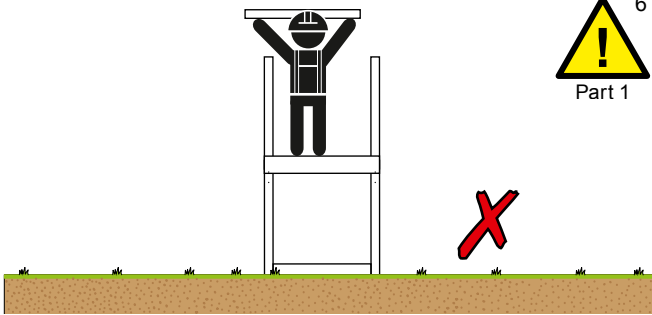
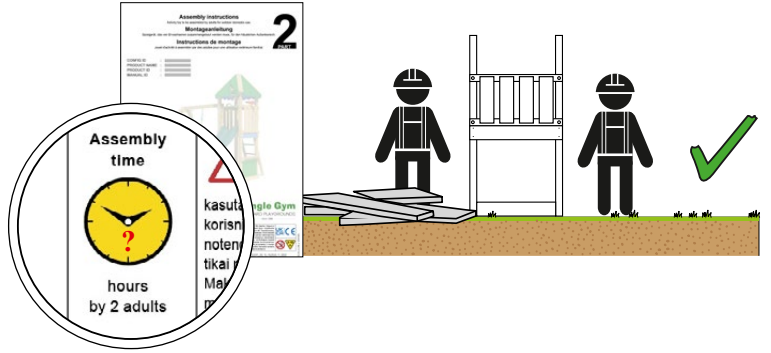
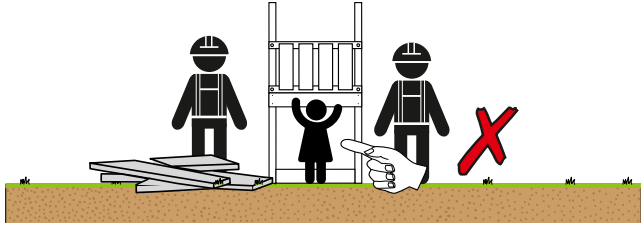


Assembly instructions and safety notices

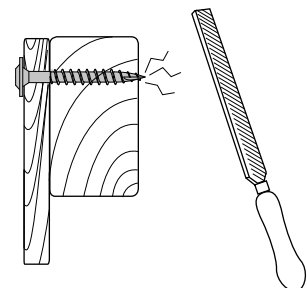
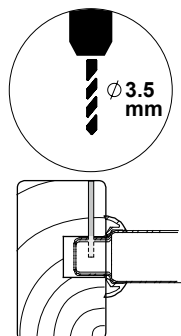
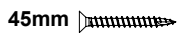
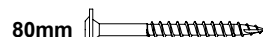
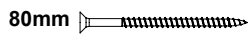
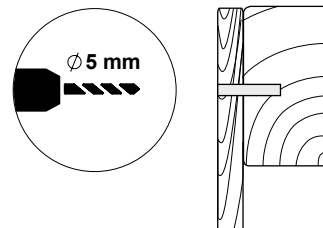
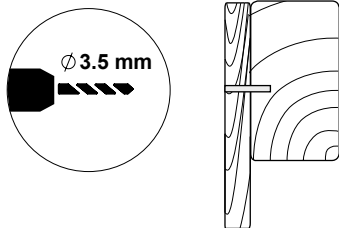
Montageanweisungen und Sicherheitswarnungen

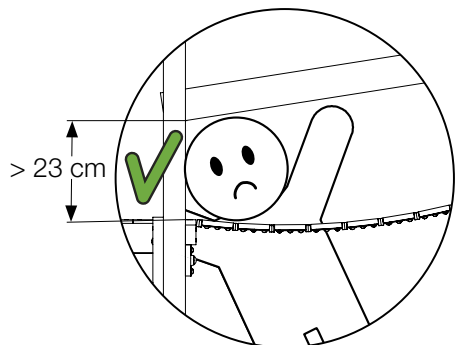
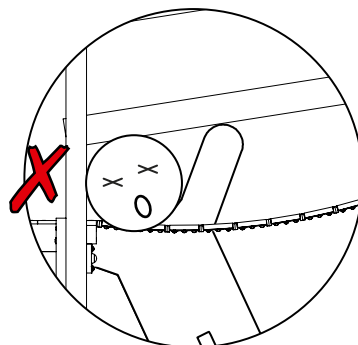
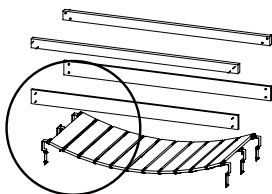
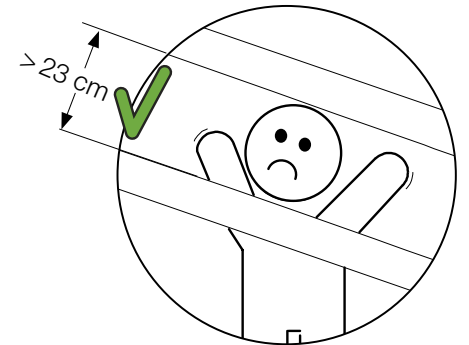
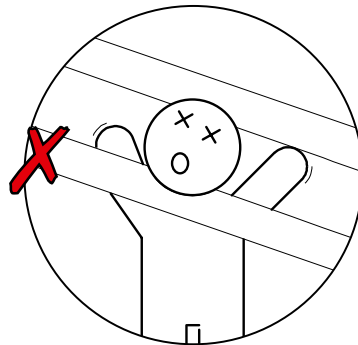
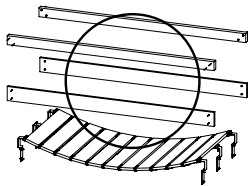
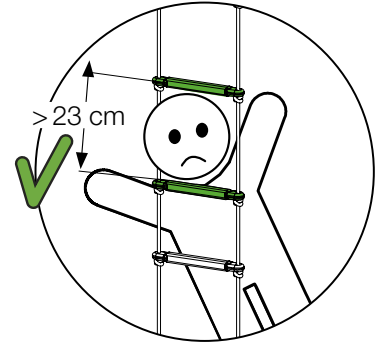
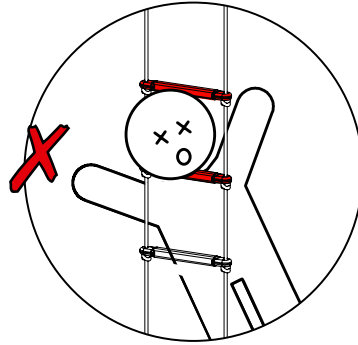
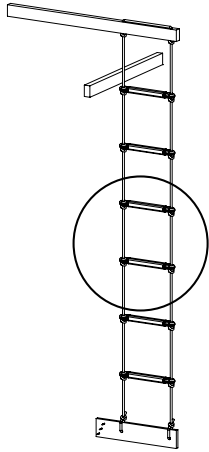
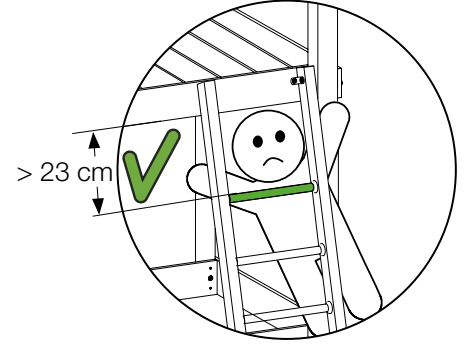
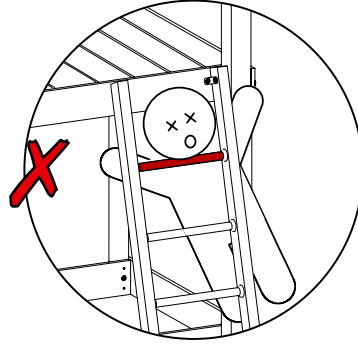
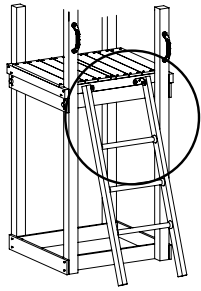
Instructions de montage et avis de sécurité

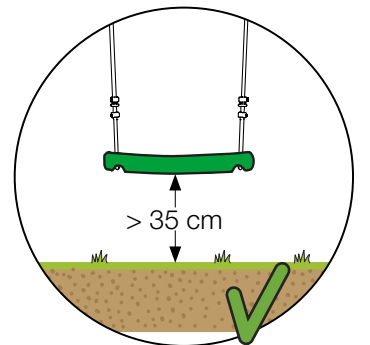
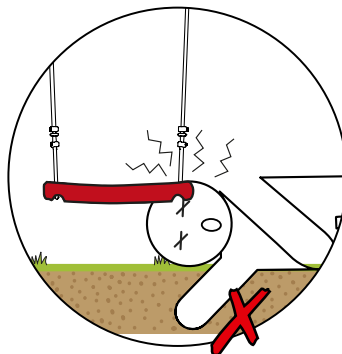
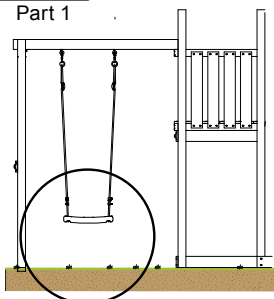
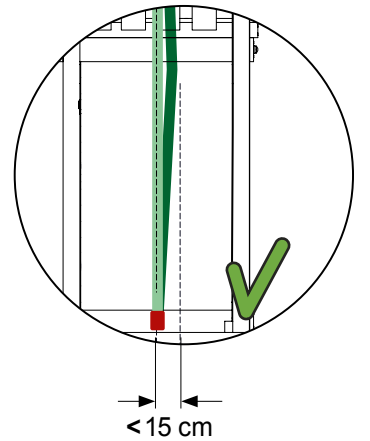
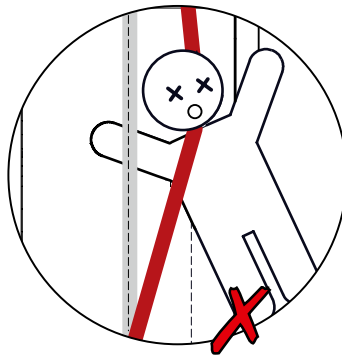
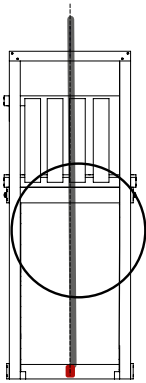
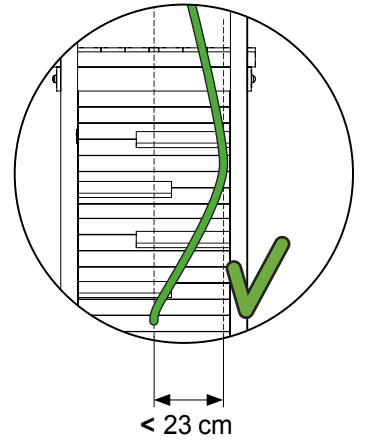
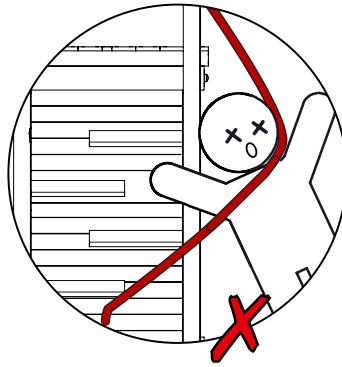
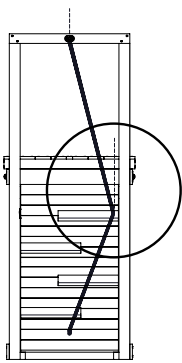
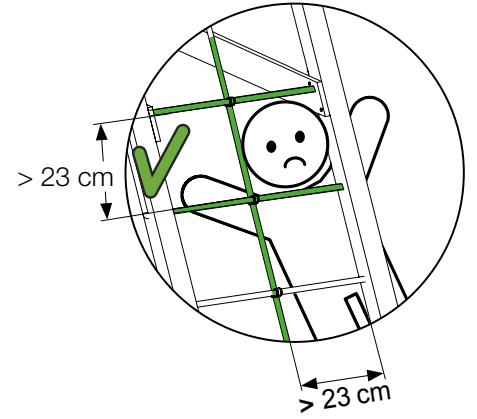
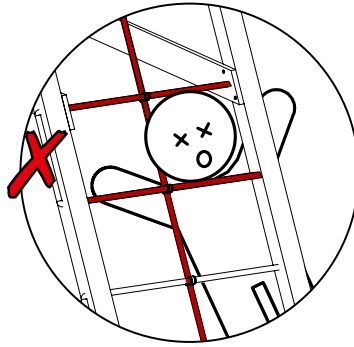
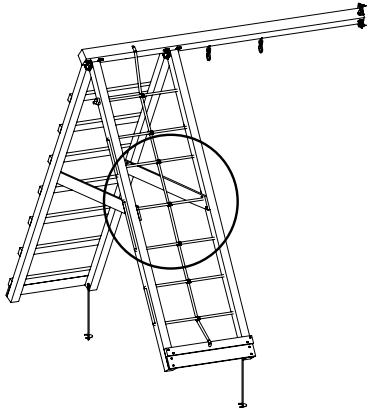
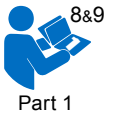
1,2,3&4
Part 1



5
Part 1









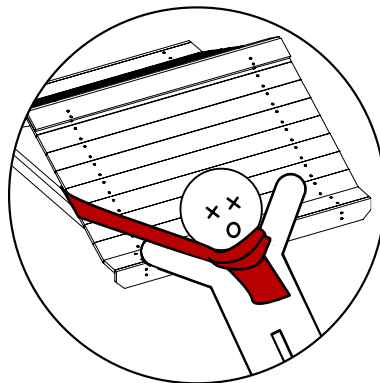
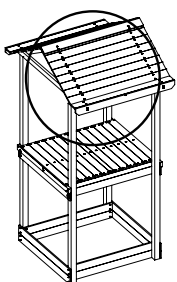
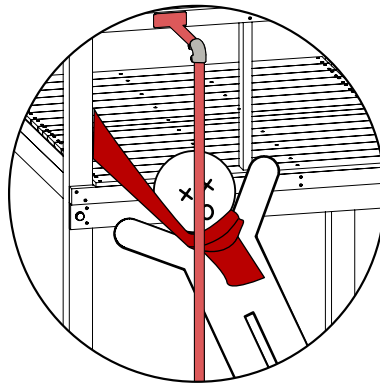
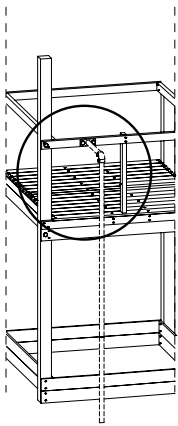
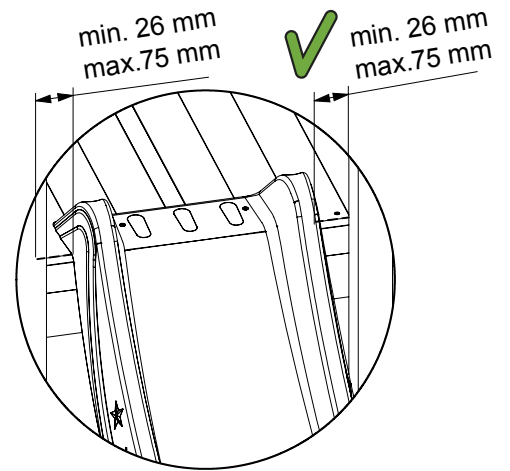
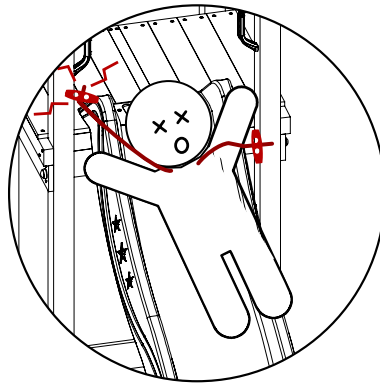
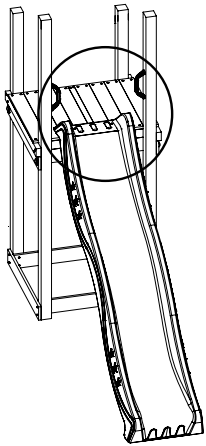
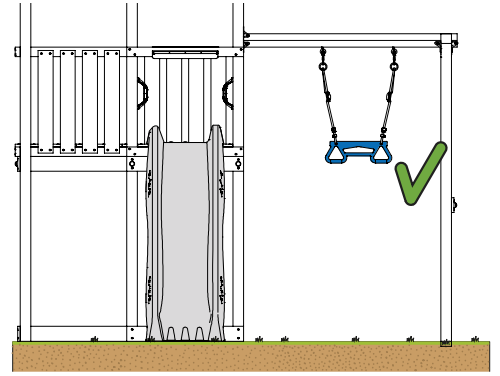
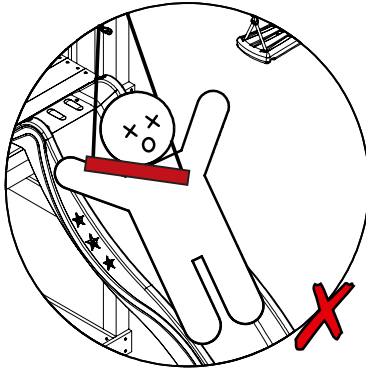
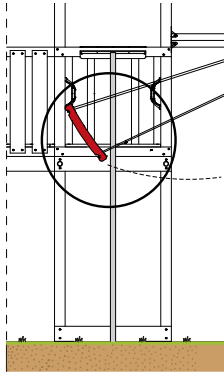
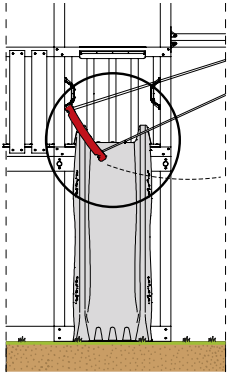
10

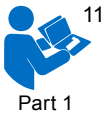


4&9

Part 1

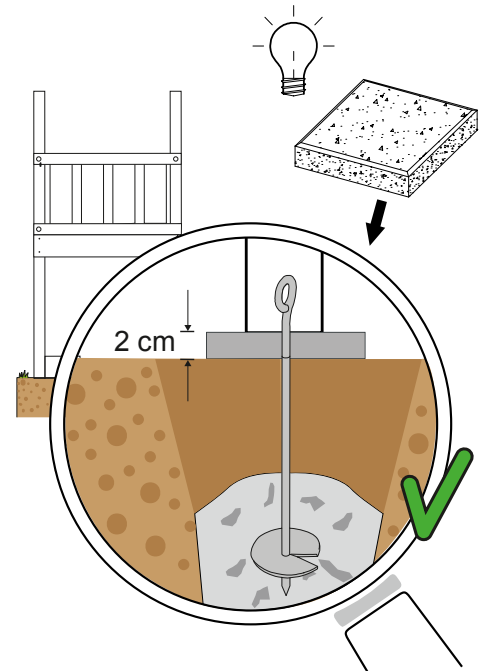
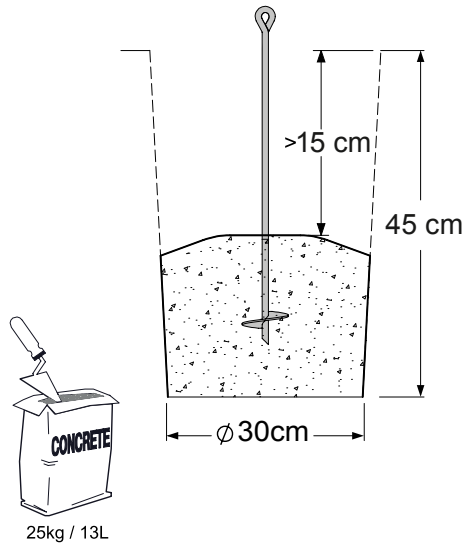
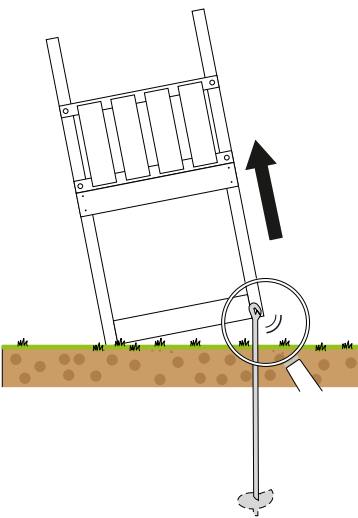
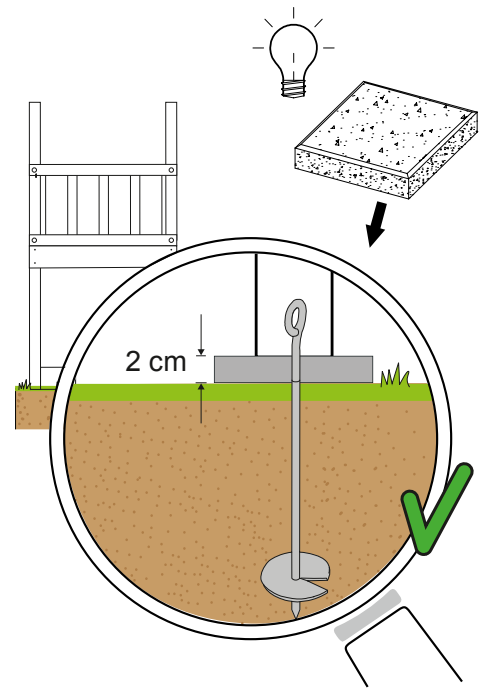
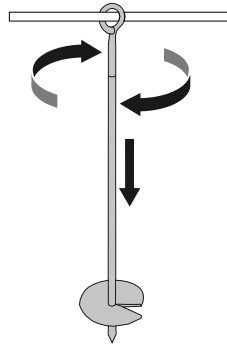
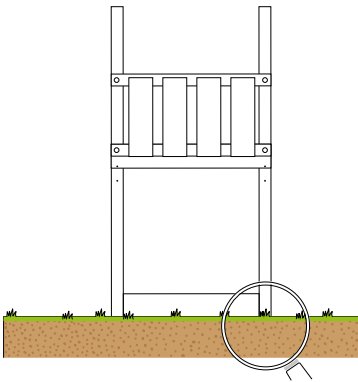
Part 1



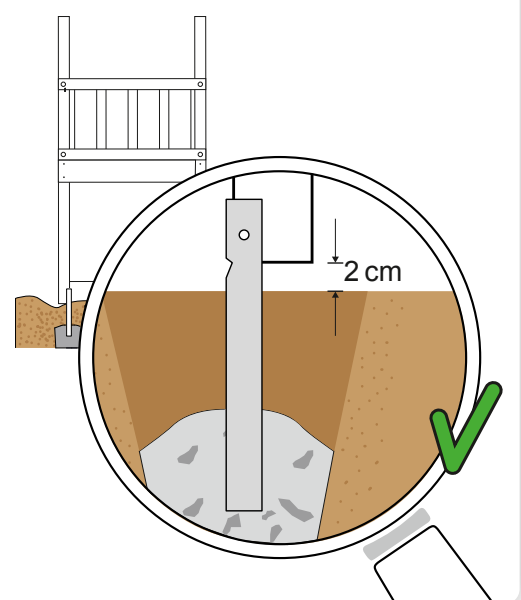
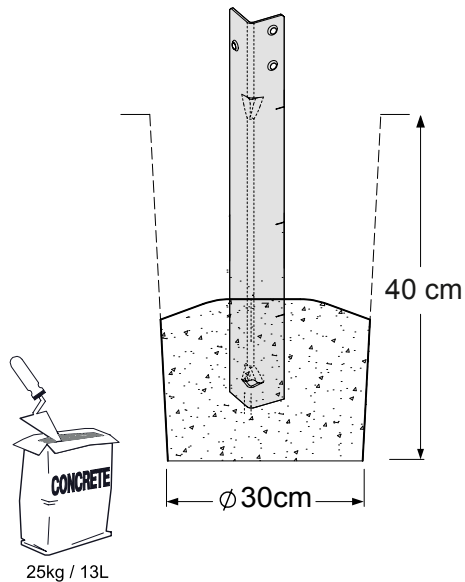
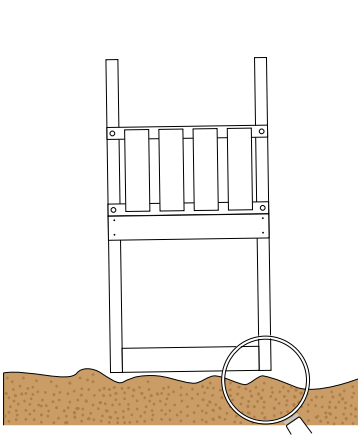


Part 1

Part 1

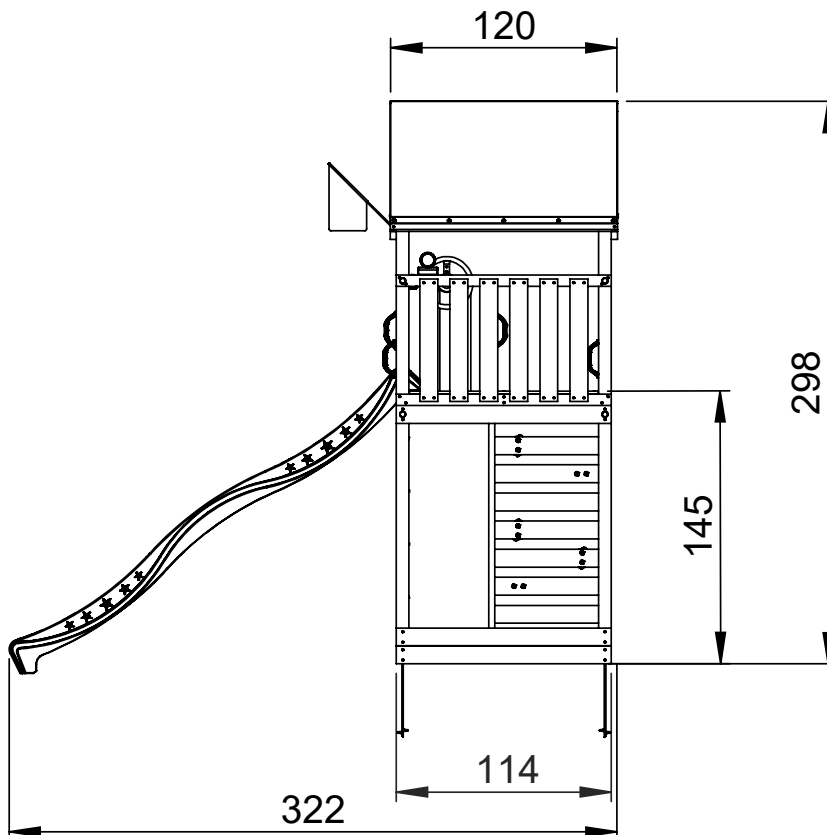
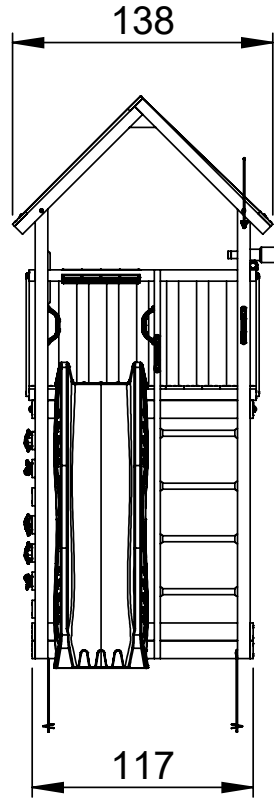


Optional: Post anchors



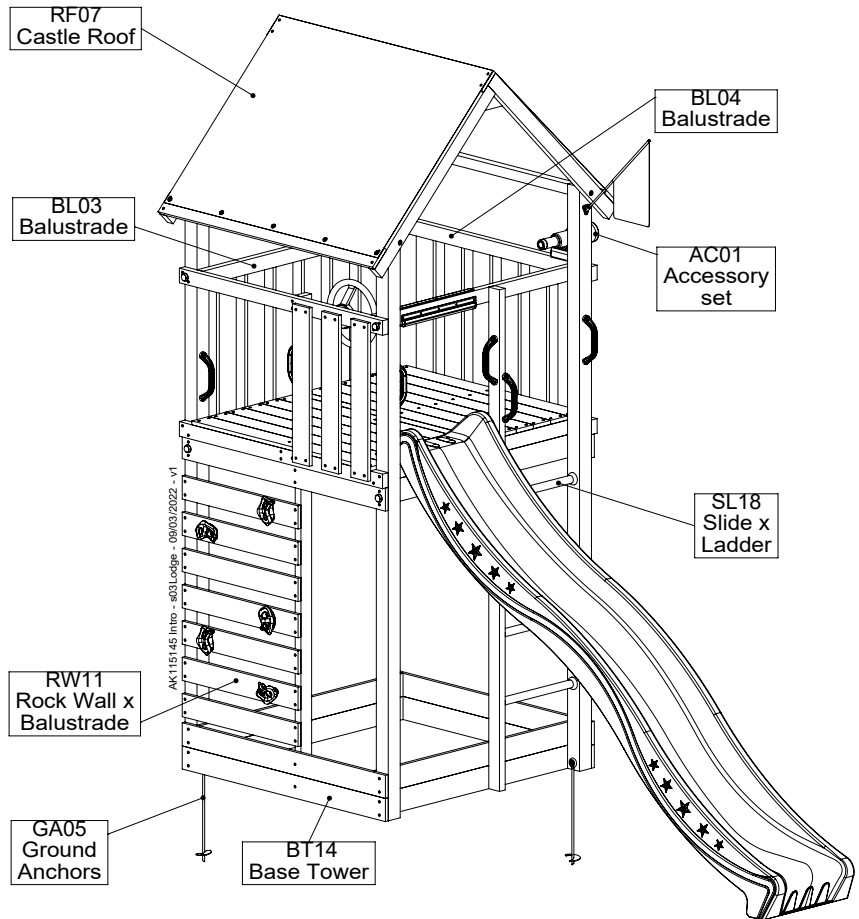
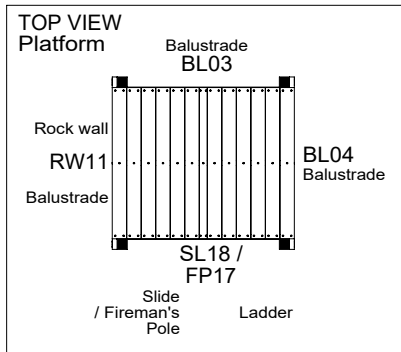


Dimensions Abmessungen Dimensions





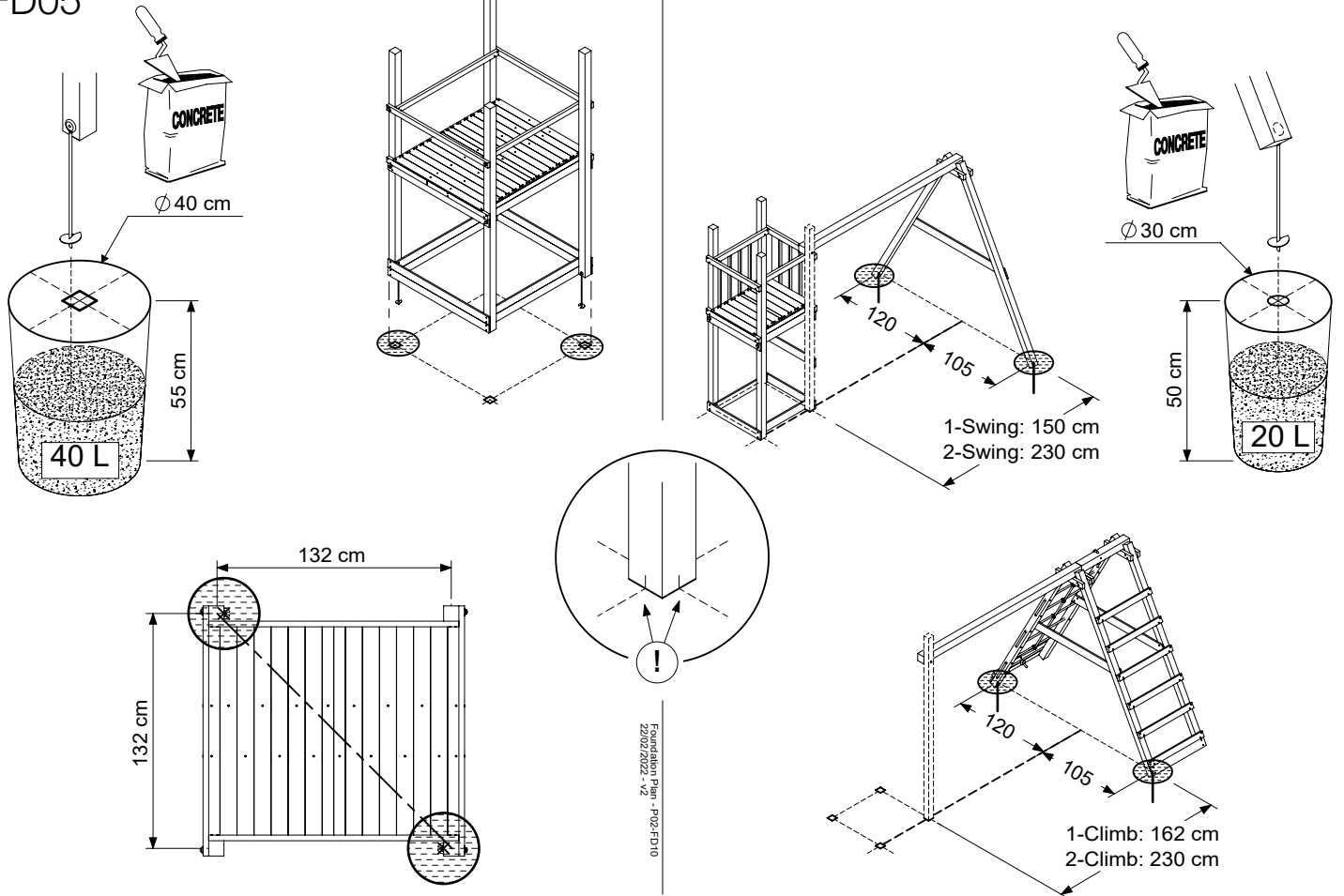
Assembly sequence Montagereihenfolge Séquence d'assemblage



Manual ID: 040_020_2414

06 Playground Foundation

FD05



Foundation Plan - F05-FD10
22/02/2022 - V2

Manual ID: 040_020_2414

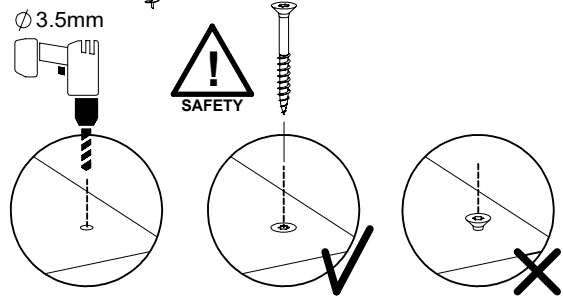
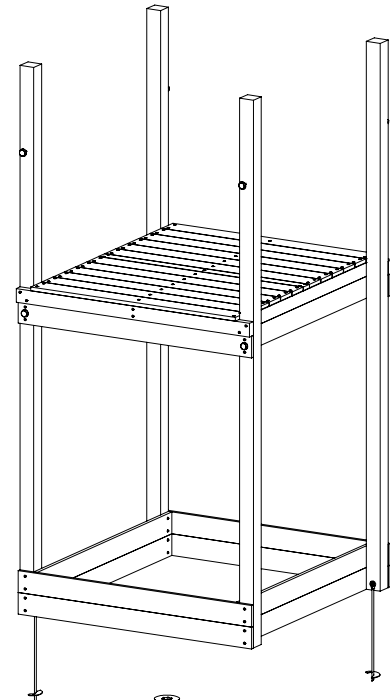
07 Base Tower

BT14

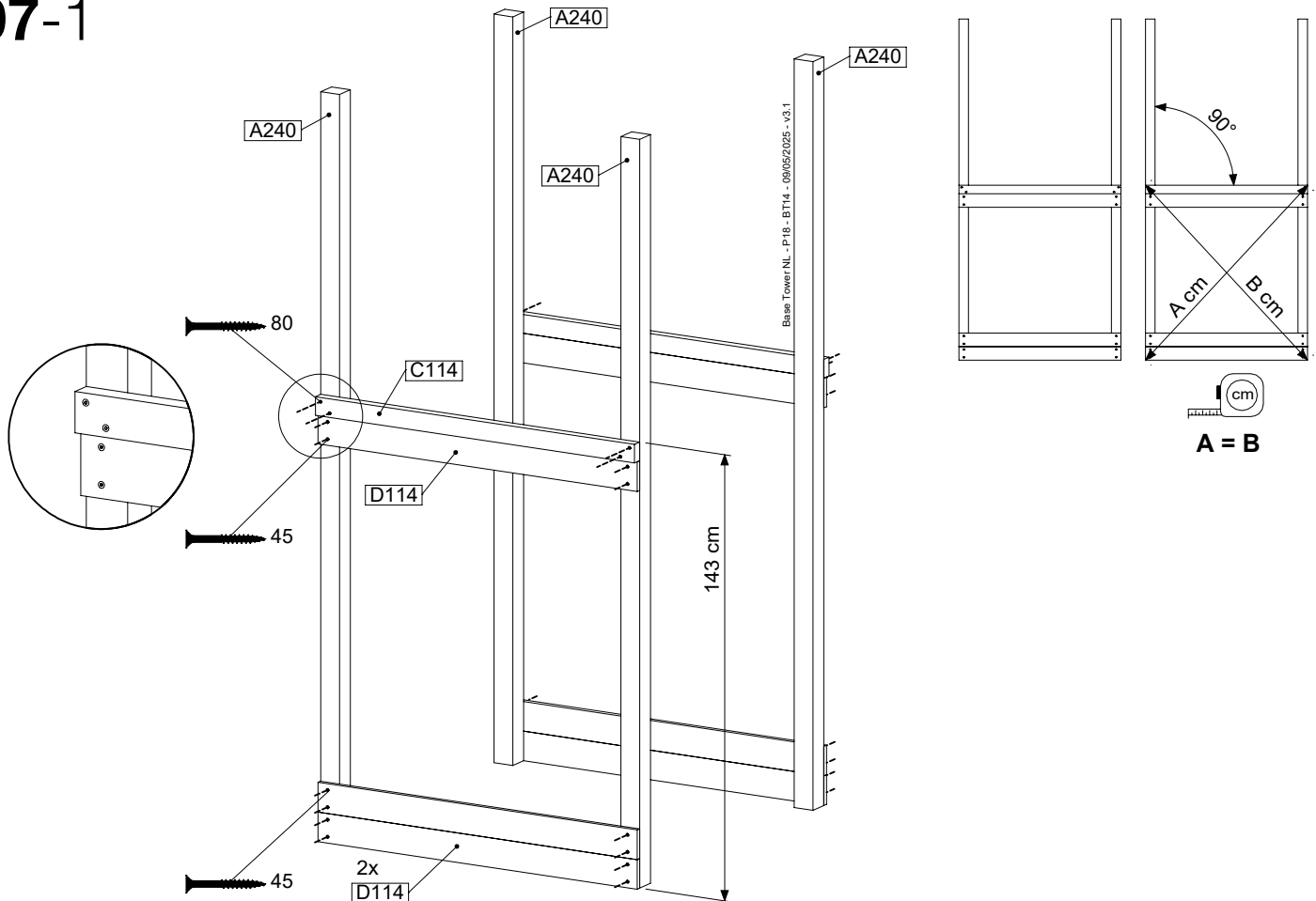
Assembly Pack: 194_300

| | PartNo | PartName | QTY. |
|------------------|---------|----------------------------|------|
| Hardware + Parts | 001_406 | Stealth Screw 8x45 | 6 |
| | 001_417 | Stealth Screw 8x80 | 4 |
| | 002_220 | Gap Point Screw T25 - 5x45 | 118 |
| | 002_223 | Gap Point Screw T25 - 5x80 | 20 |
| | 022_31x | bpc-base version 3 | 8 |
| | 022_84x | bpc cover | 8 |
| | 007_001 | Ground-anchor | 2 |
| Timber | A240 | Post ca.70x70 L2400 | 4 |
| | C114 | Beam 1140 mm | 5 |
| | D100 | Board 1000 mm | 14 |
| | D114 | Board 1140 mm | 12 |

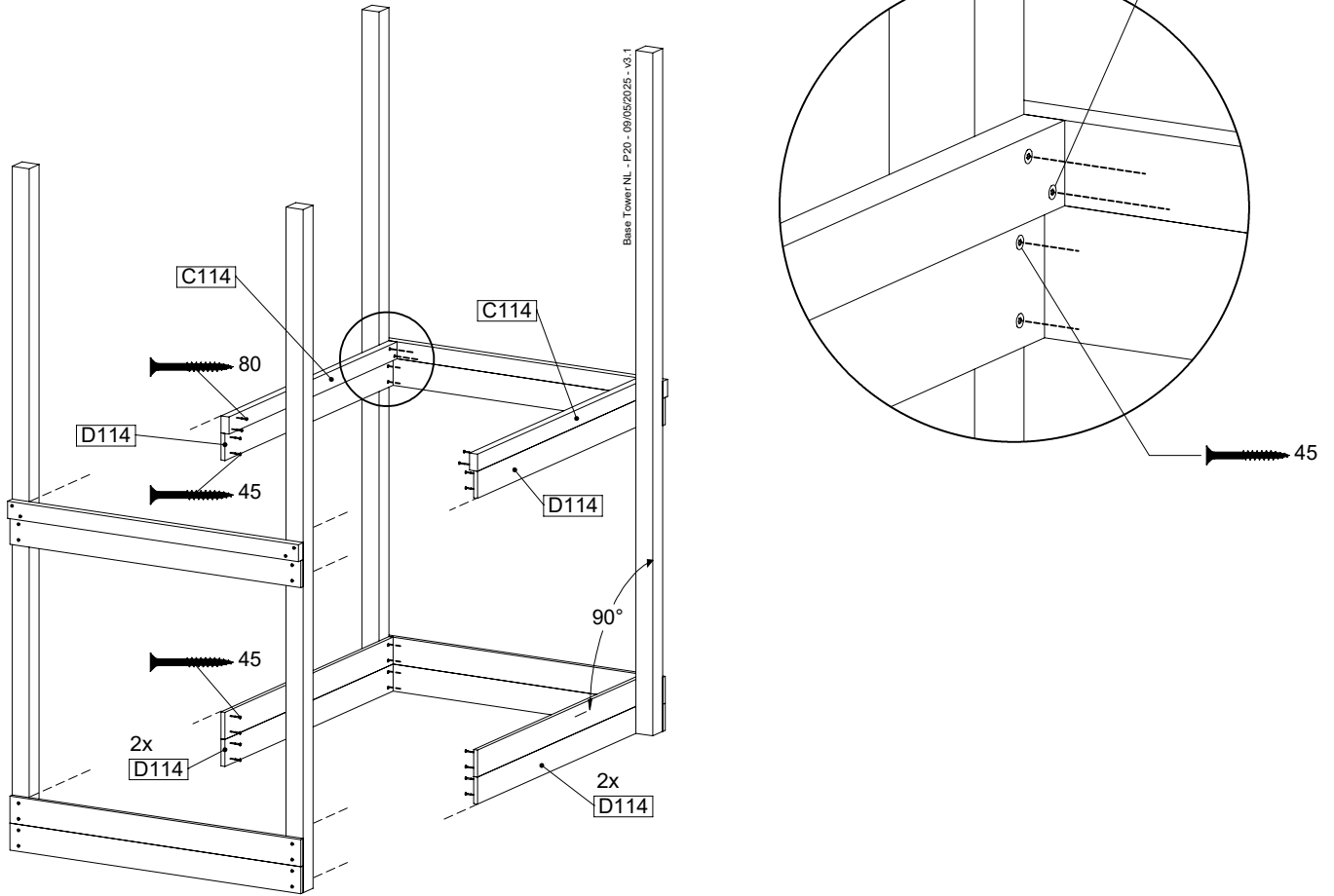
Base Tower NL - P18 - BT14 - 09/05/2025 - v3.1



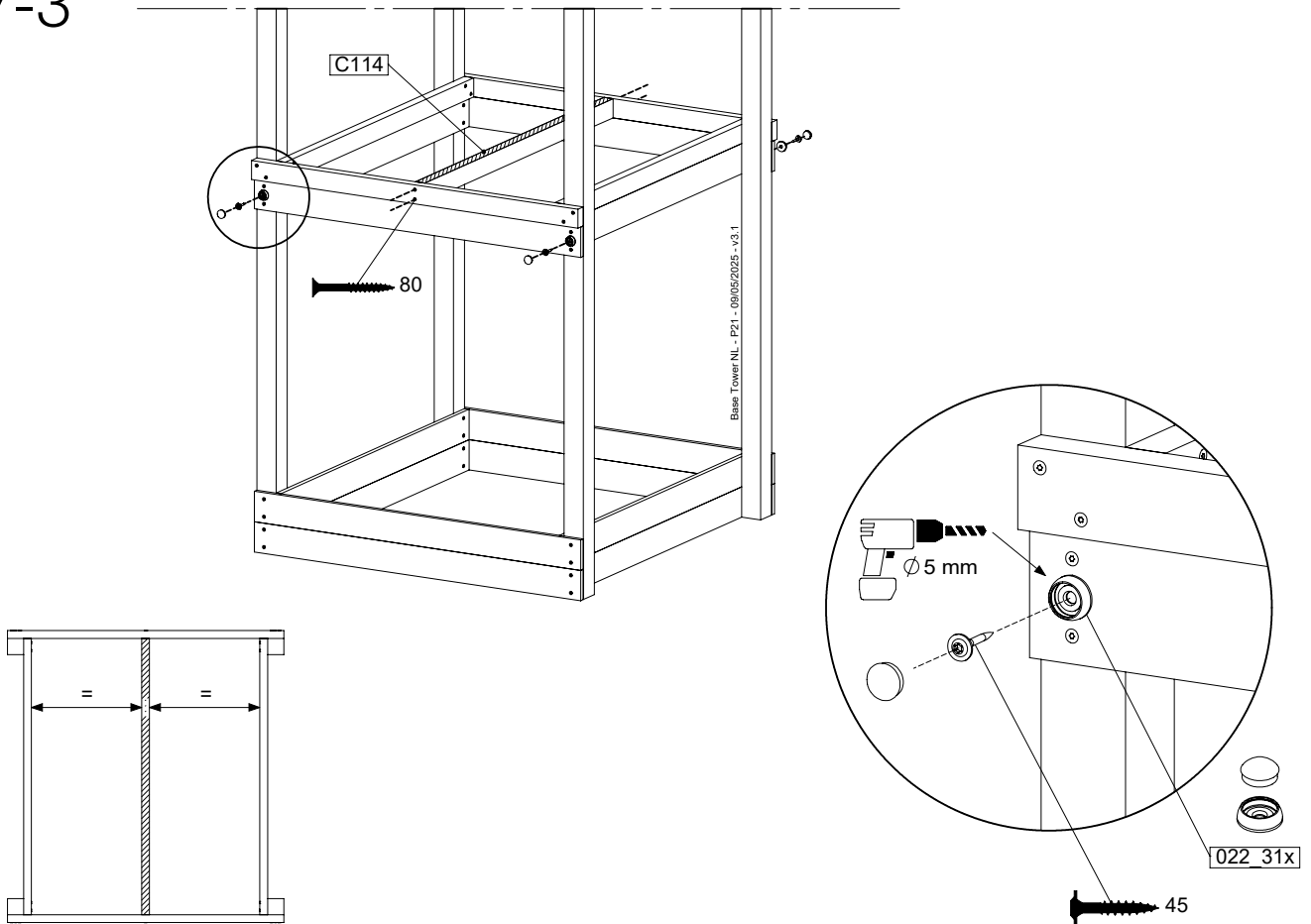
07-1



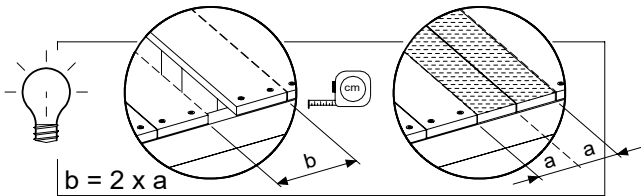
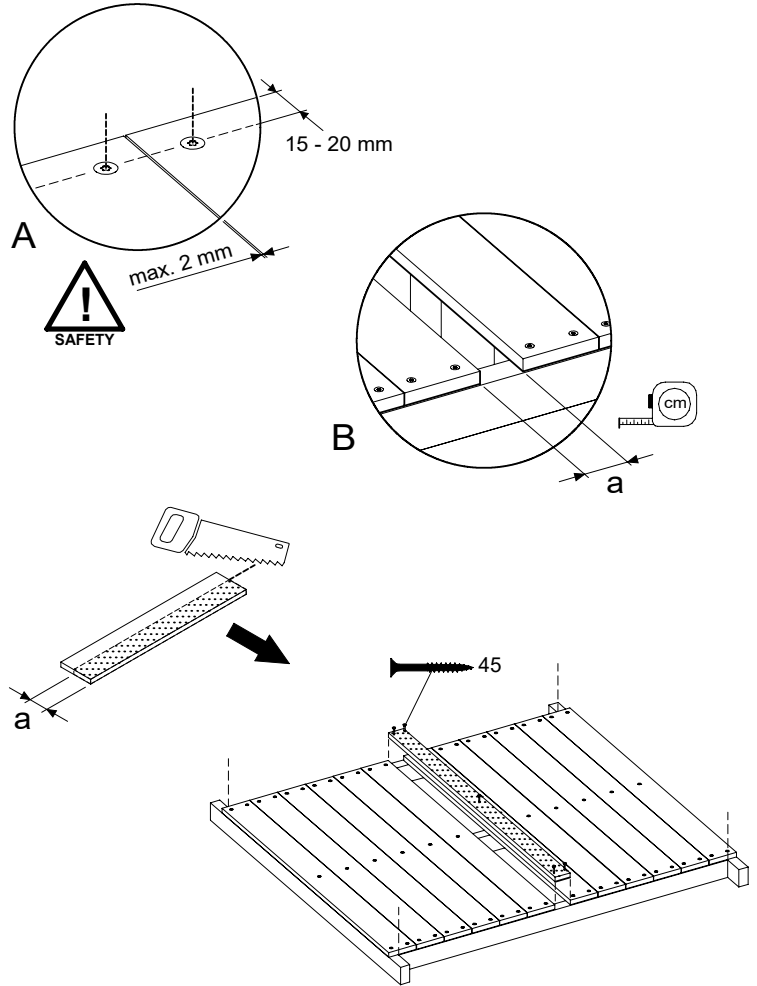
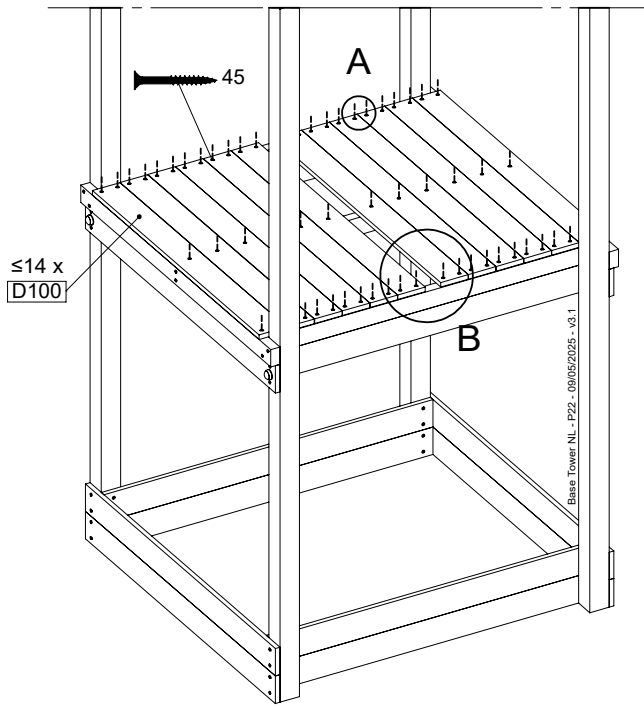
07-2



07-3



07-4



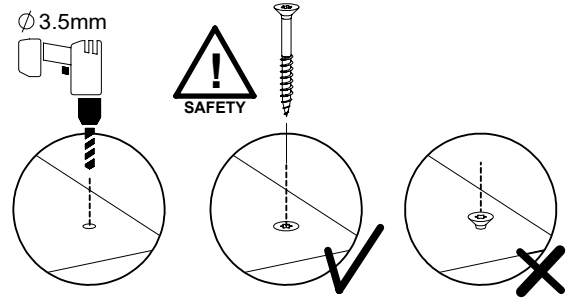
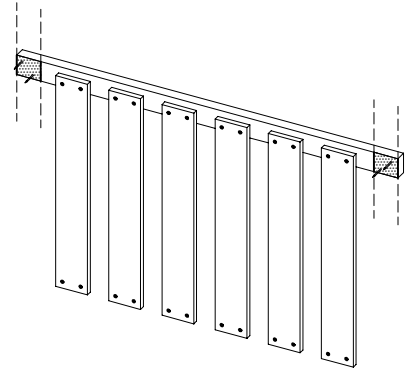
08 Balustrade

BL03

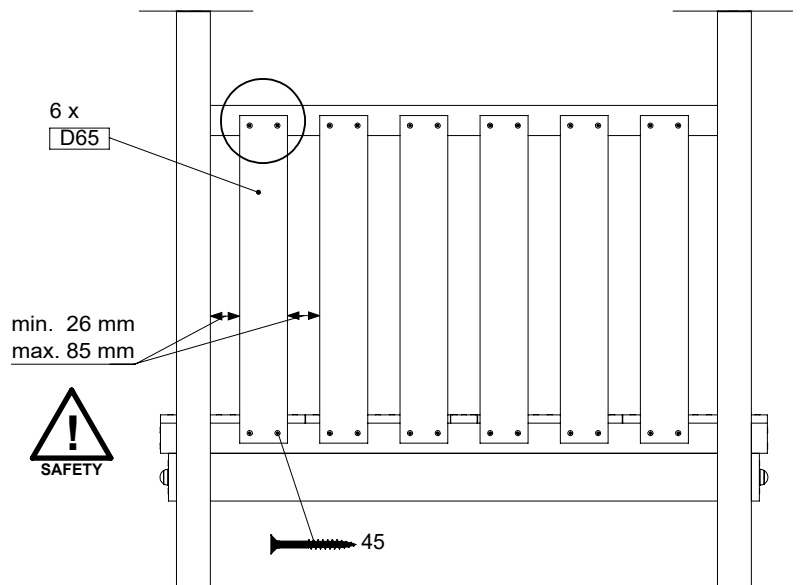
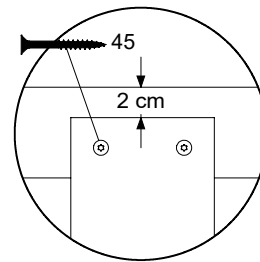
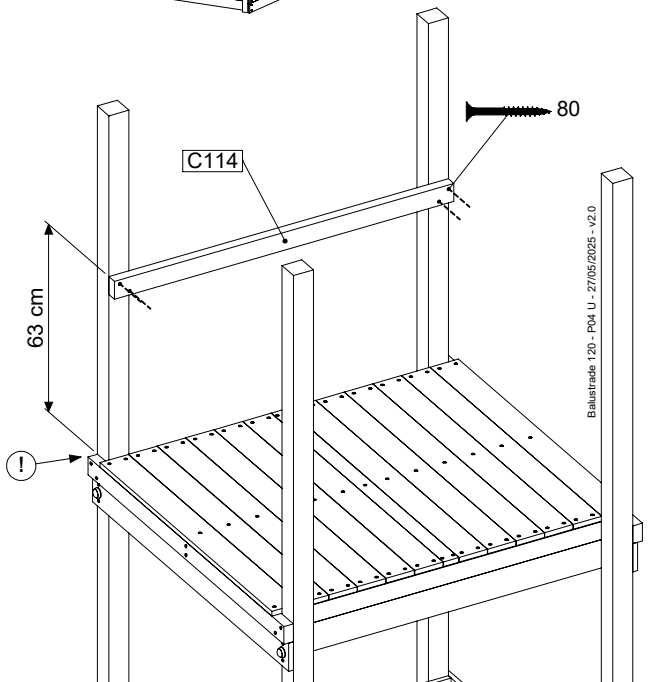
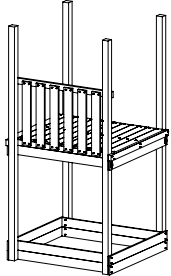
Assembly Pack: 194_501

| | PartNo | PartName | QTY. |
|------------------|---------|----------------------------|------|
| Hardware + Parts | 002_220 | Gap Point Screw T25 - 5x45 | 24 |
| | 002_223 | Gap Point Screw T25 - 5x80 | 4 |
| Timber | C114 | Beam 1140 mm | 1 |
| | D65 | Board 650 mm | 6 |

Balustrade 120 - P02 U - 27/05/2025 - v2.0



08-1



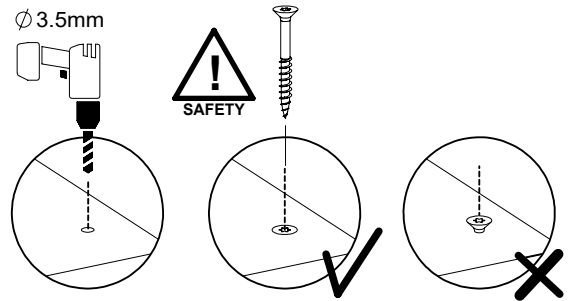
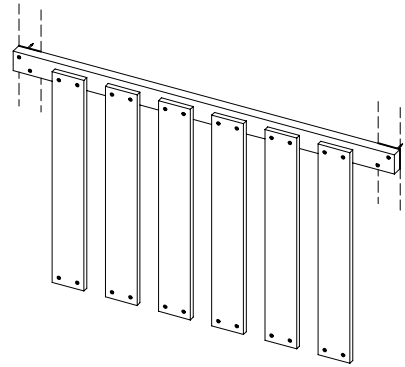
09 Balustrade

BL04

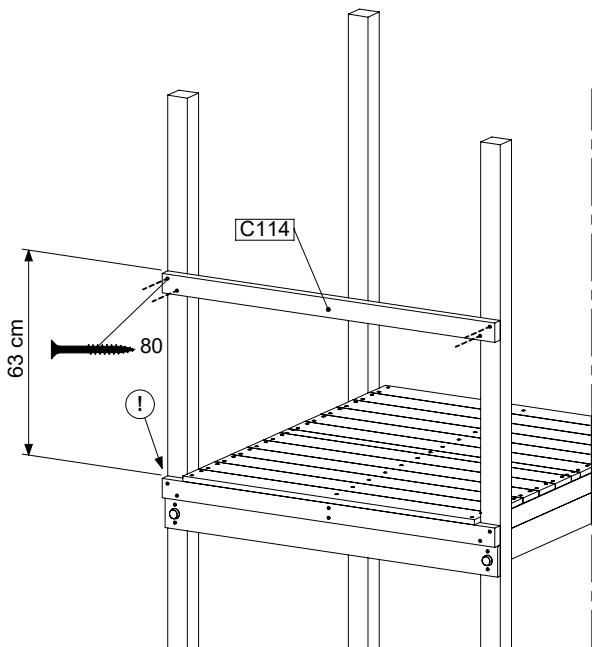
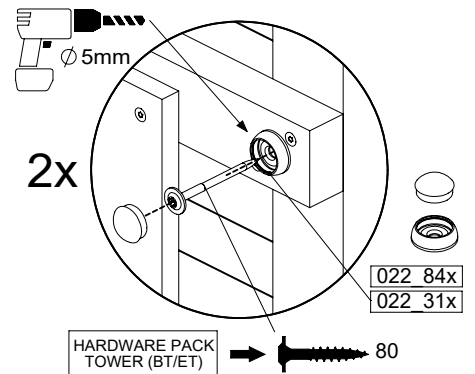
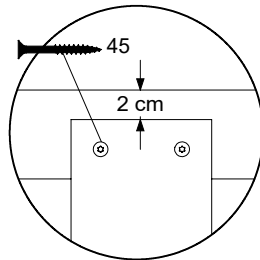
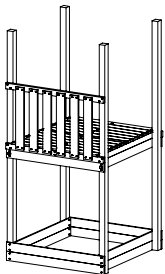
Assembly Pack: 194_501

| | PartNo | PartName | QTY. |
|------------------|---------|----------------------------|------|
| Hardware + Parts | 002_220 | Gap Point Screw T25 - 5x45 | 24 |
| | 002_223 | Gap Point Screw T25 - 5x80 | 4 |
| Timber | C114 | Beam 1140 mm | 1 |
| | D65 | Board 650 mm | 6 |

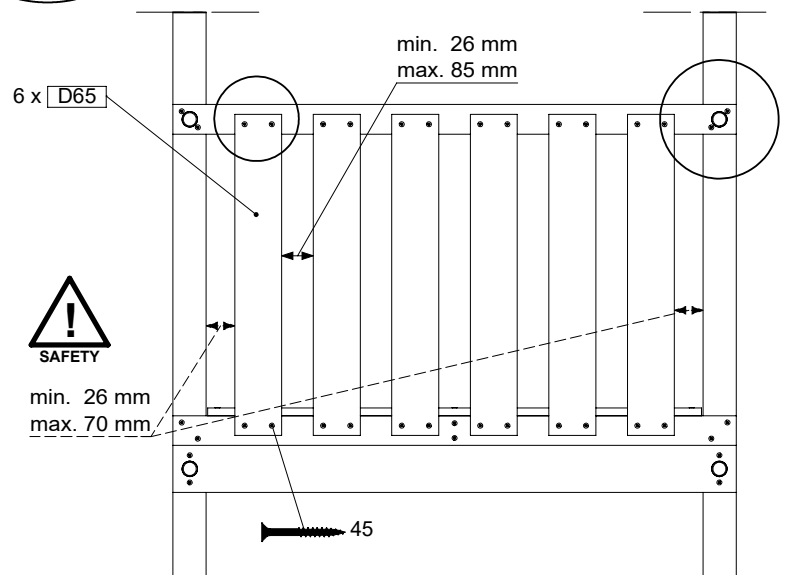
Balustrade 120 - P03 T - 27/05/2025 - v2.0



09-1



Balustrade 120 - P05 T - 27/05/2025 - v2.0



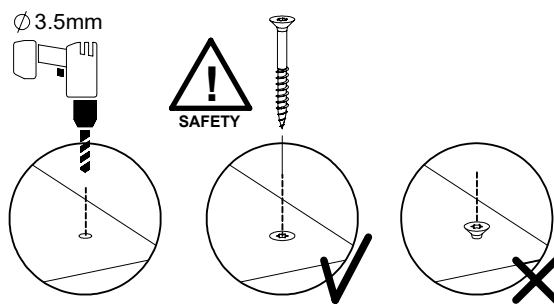
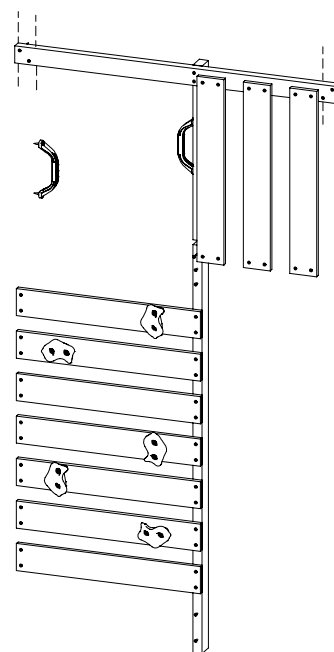
10 Rock Wall

RW11

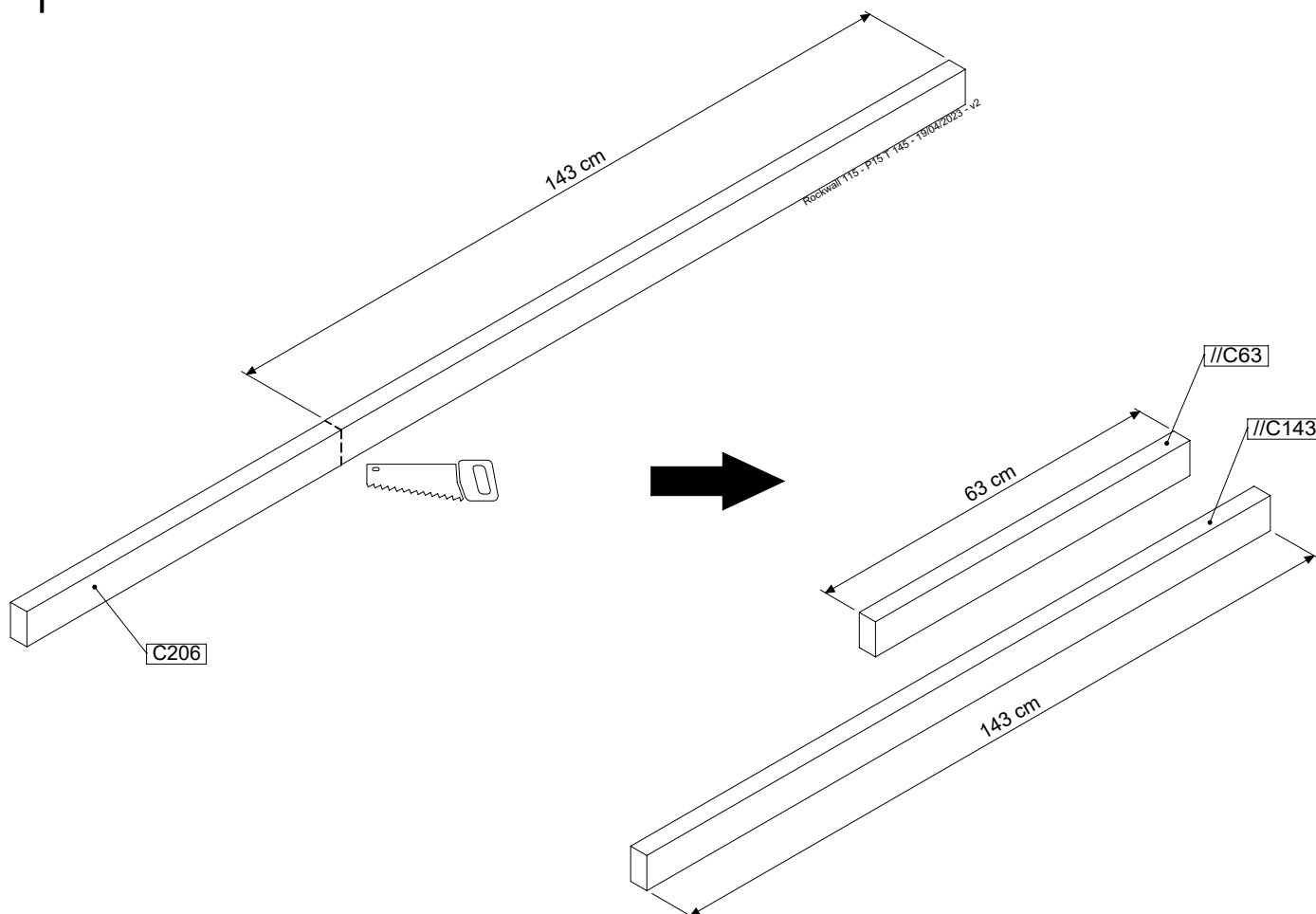
(194_006 + 194_101)

| | PartNo | PartName | QTY. |
|---------------|---------|-----------------------------|------|
| Hardware Pack | 001_102 | Washer Head Screw T40 M8x30 | 10 |
| | 002_220 | Gap Point Screw T25 - 5x45 | 44 |
| | 002_223 | Gap Point Screw T25 - 5x80 | 9 |
| | 003_010 | M8 spring lock washer | 10 |
| | 004_050 | M8 Drive-in Nut 22mm | 10 |
| Other | 022_50x | Climbing Rock | 5 |
| | 120_102 | Handgrip set (complete 2x) | 1 |
| Timber | C114 | Beam 1140 mm | 1 |
| | C206 | Beam 2060 mm | 1 |
| | D65 | Board 650 mm | 10 |

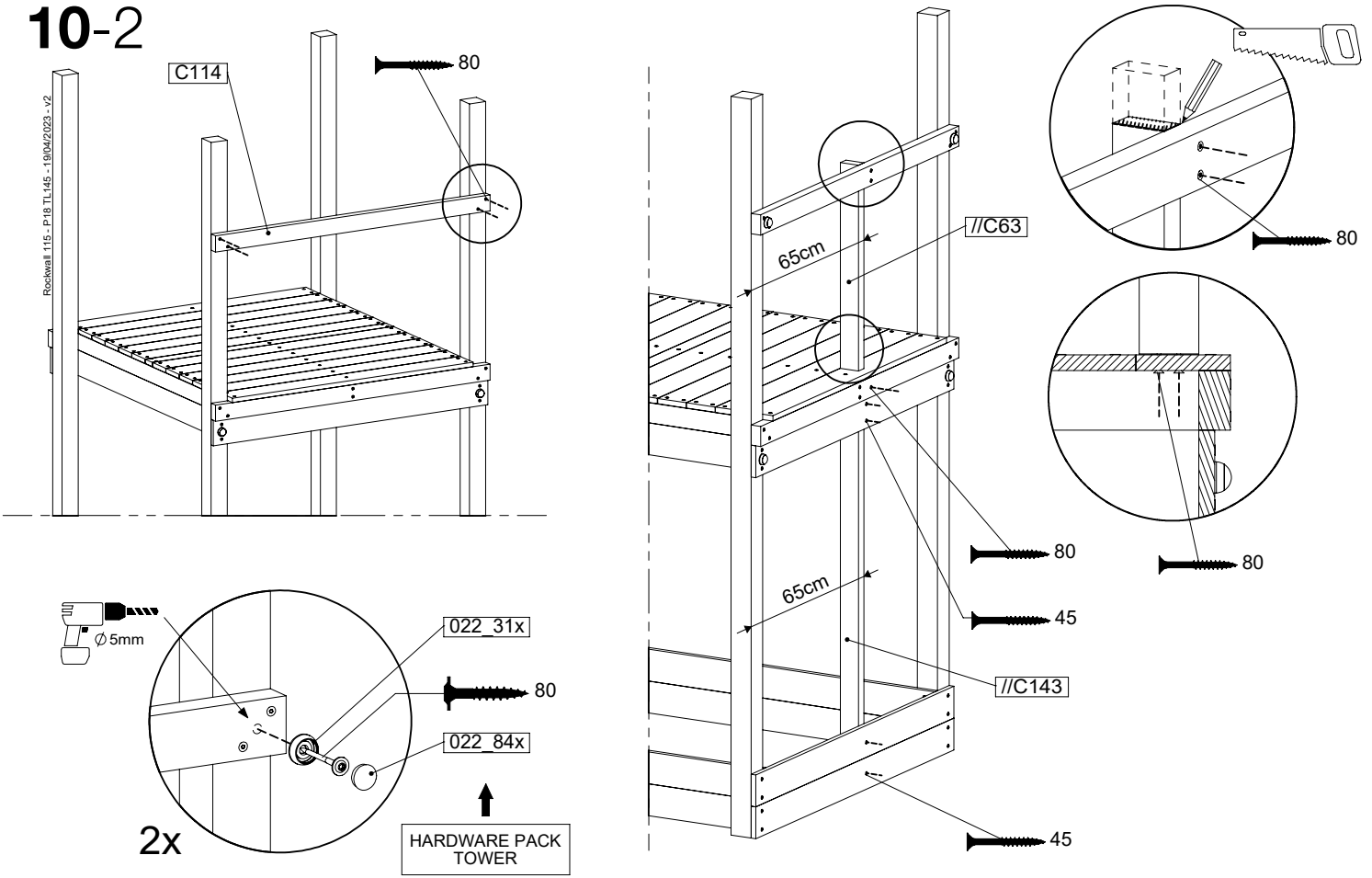
Rockwall 115 - P08 TL 145 - 19/04/2023 - v2



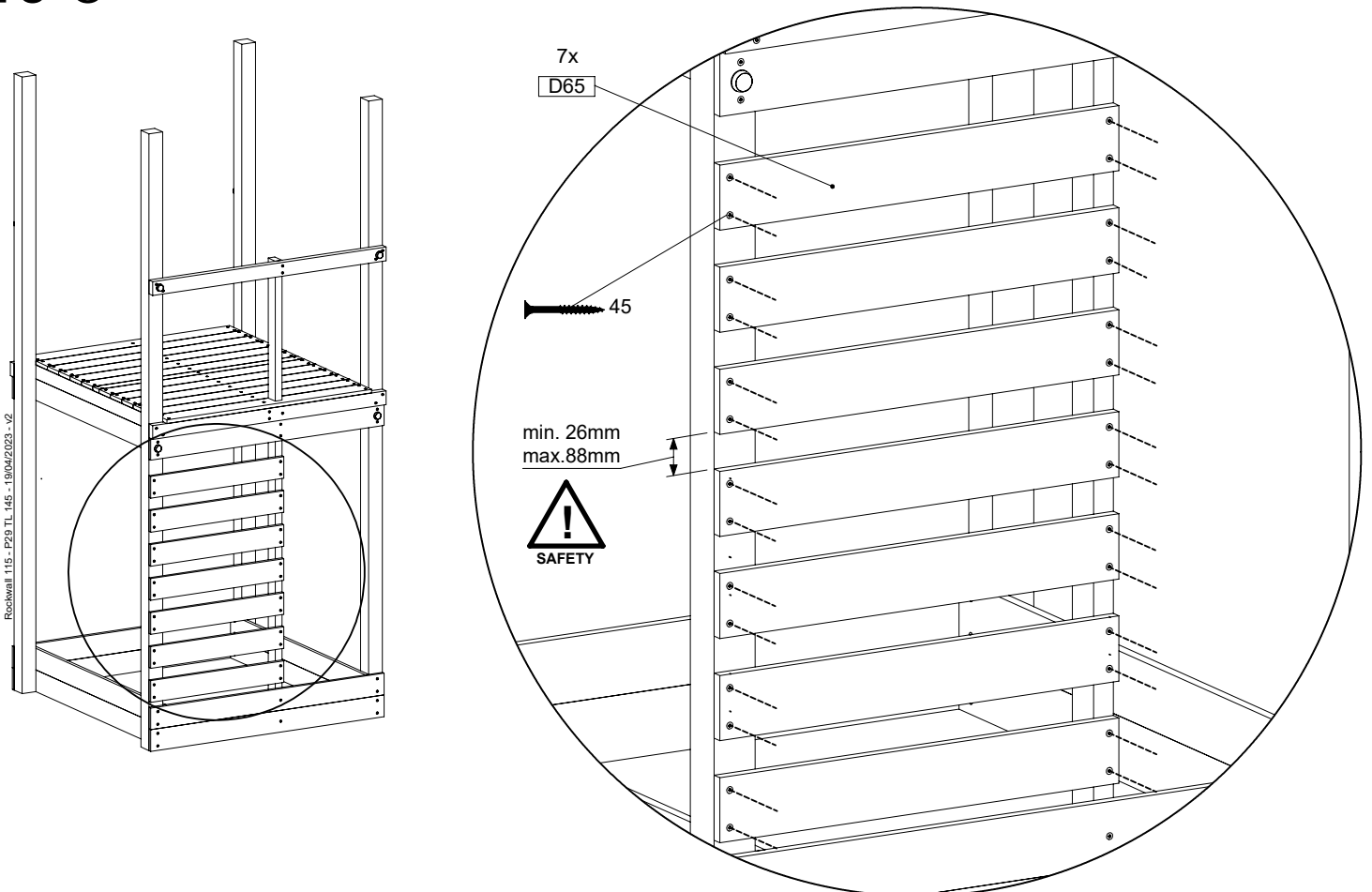
10-1



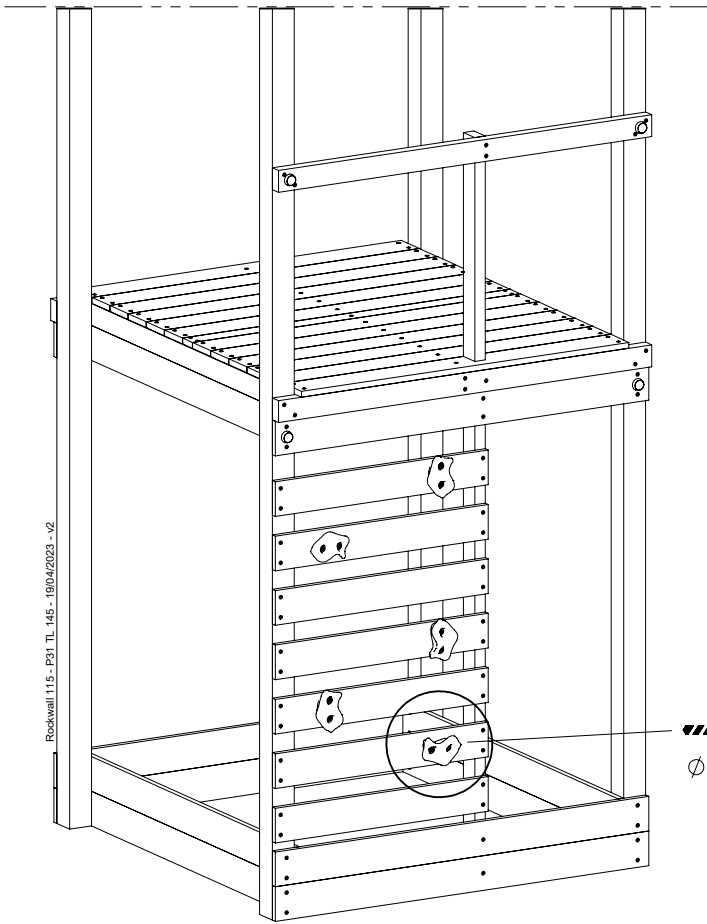
10-2



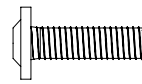
10-3



10-4



Rockwall 115 - P31 TL 145 - 19/04/2023 - v2



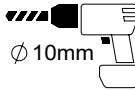
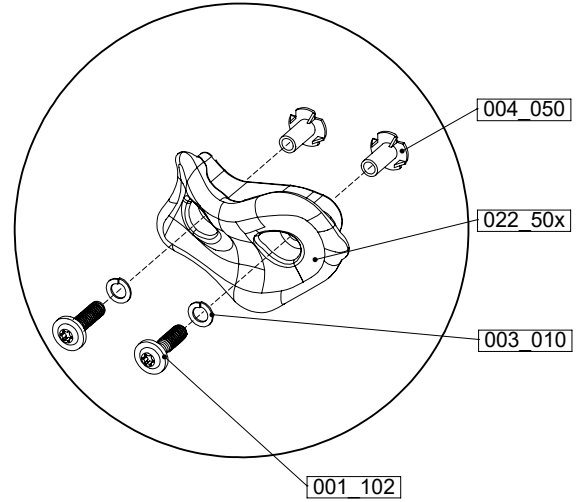
30 mm



Ø 15 mm

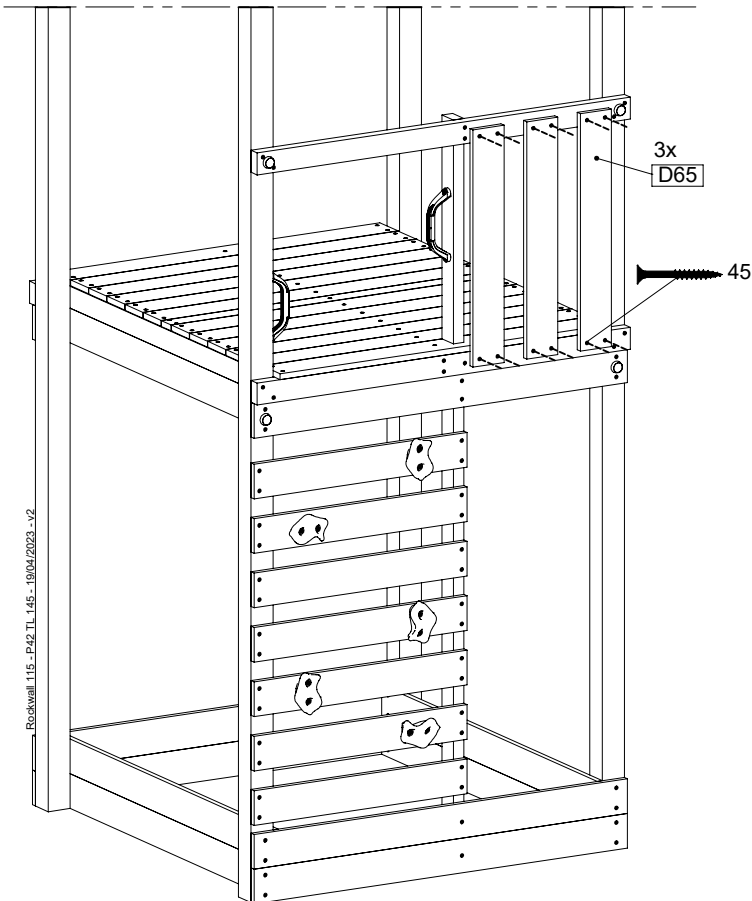


22 mm



Ø 10mm

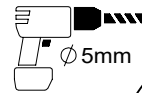
10-5



Rockwall 115 - P42 TL 145 - 19/04/2023 - v2

3x
D65

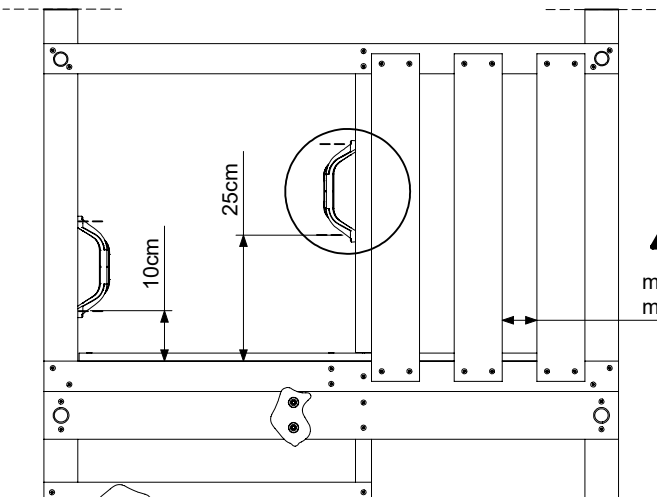
45



Ø 5mm

022_320

30



SAFETY
min. 26mm
max. 88mm

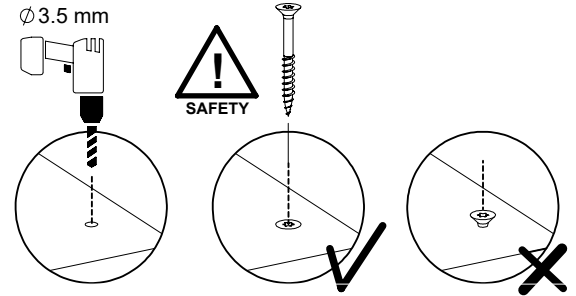
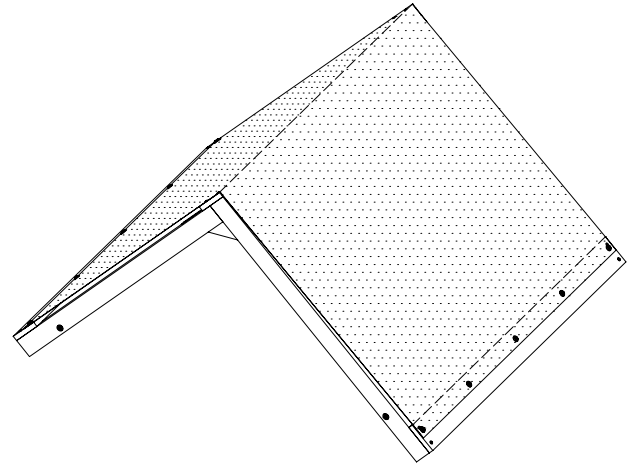
11 Roof

RF07

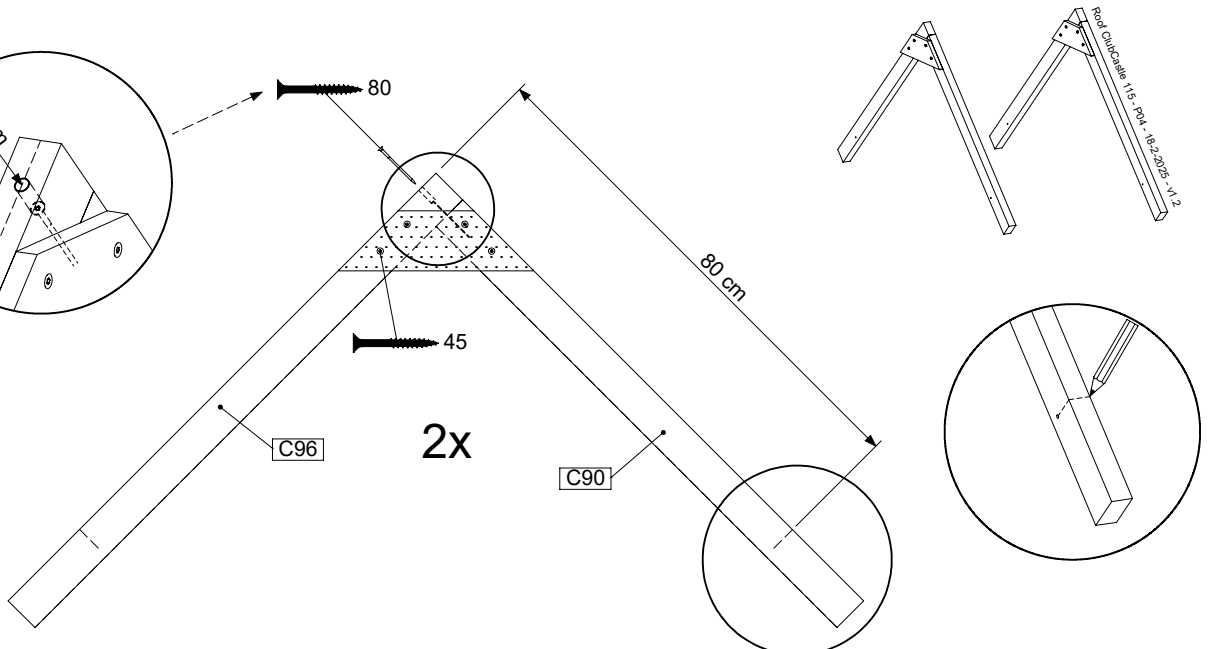
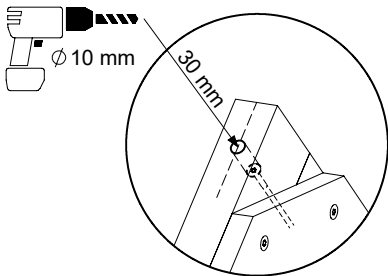
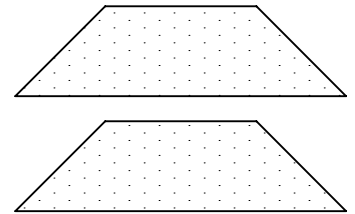
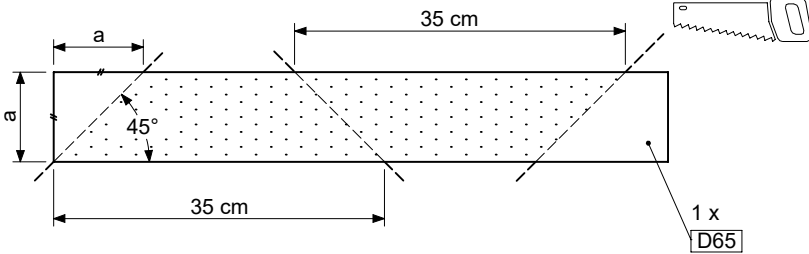
Assembly Pack: 194_312 / 194_805

| | PartNo | PartName | QTY. |
|------------------|---------|----------------------------|------|
| Hardware + Parts | 001_417 | Stealth Screw 8x80 | 4 |
| | 002_220 | Gap Point Screw T25 - 5x45 | 20 |
| | 002_223 | Gap Point Screw T25 - 5x80 | 2 |
| | 002_308 | Gap Point Screw T25 - 5x20 | 10 |
| | 023_031 | Finishing Washer GPS 5.0 | 10 |
| | 123_222 | Sheet Canvas 1200x1850 | 1 |
| Timber | C90 | Beam 900 mm | 2 |
| | C96 | Beam 960 mm | 2 |
| | D65 | Board 650 mm | 1 |
| | D120 | Board 1200 mm | 3 |

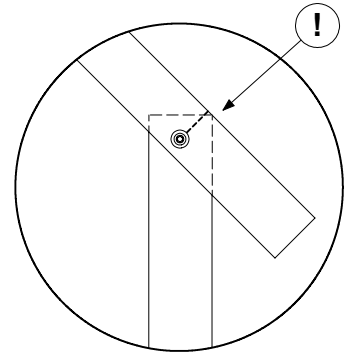
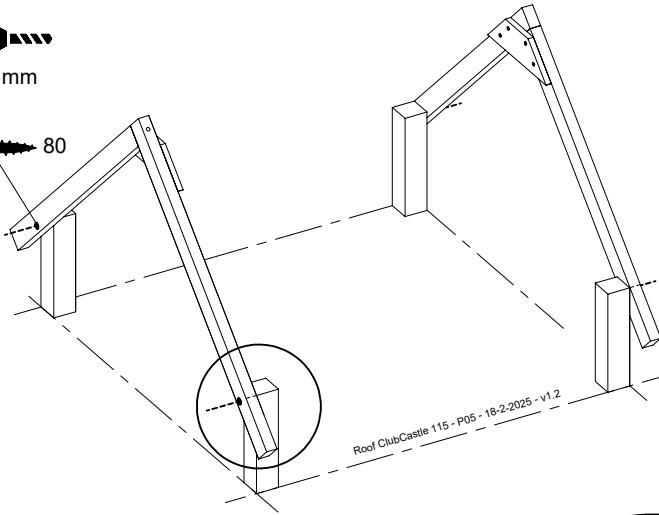
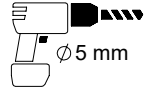
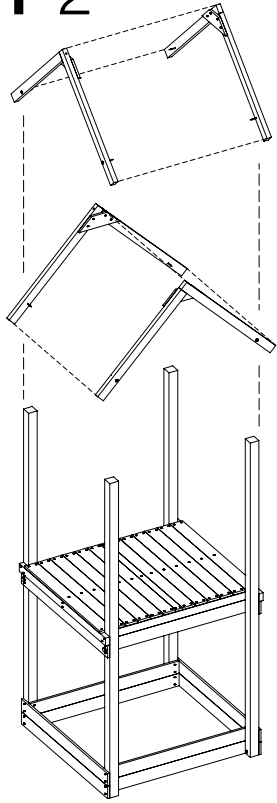
Roof OutCastle 115 - P02 - RF07 - 18-2-2025 - v1.2



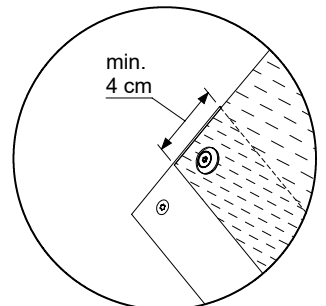
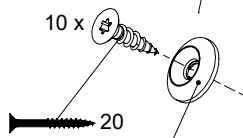
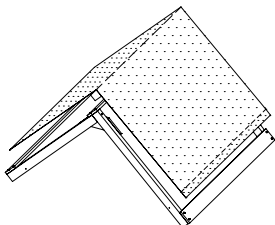
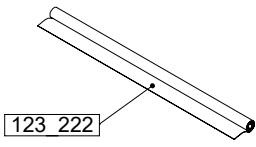
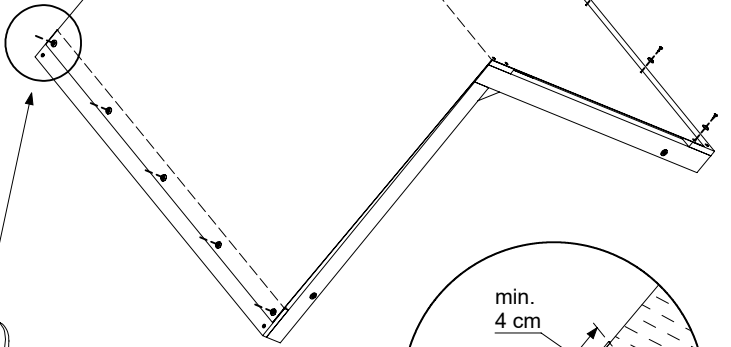
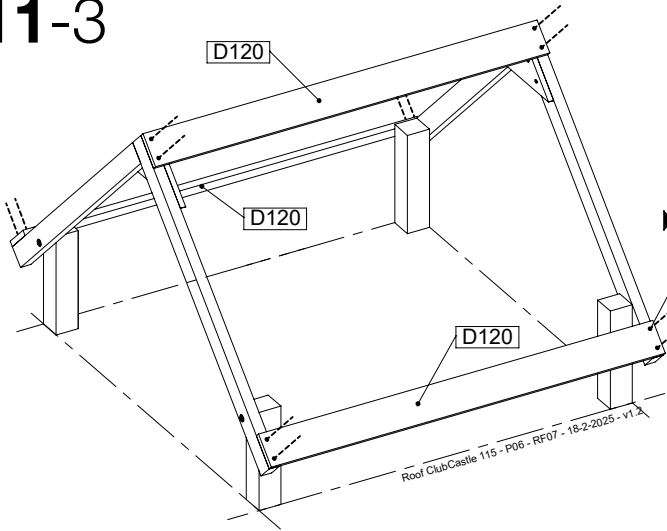
11-1



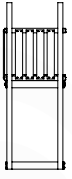
11-2



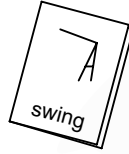
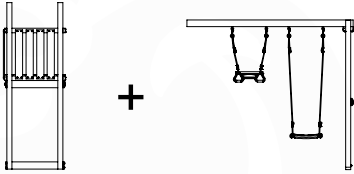
11-3



12 Swing Module / Climb Module

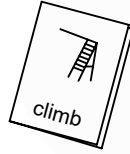
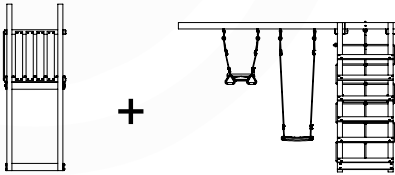


13



13

1-Swing Module / 2-Swing Module
457_101
457_102



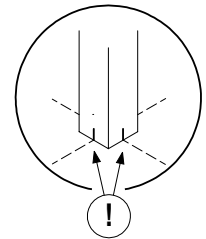
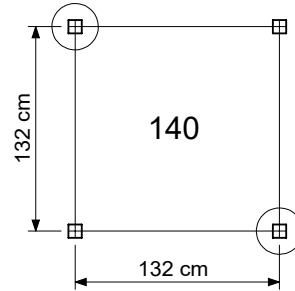
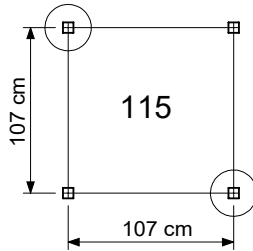
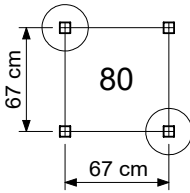
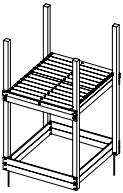
13

1-Climb Module / 2-Climb Module
457_105
457_106

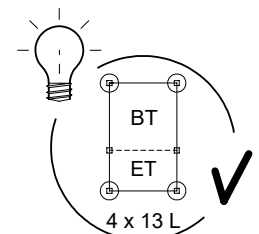
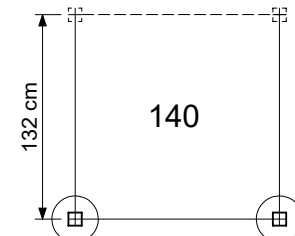
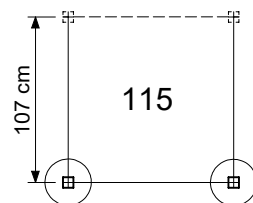
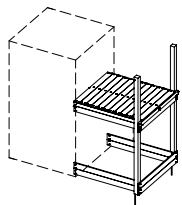
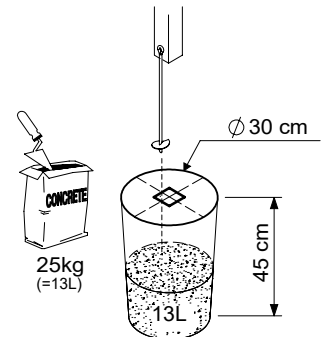
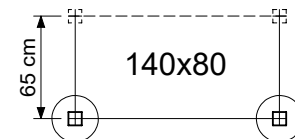
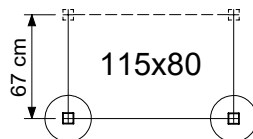
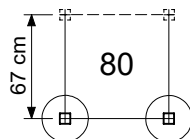
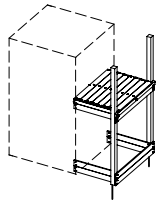
13 Ground Anchors

GA05

BASE TOWERS

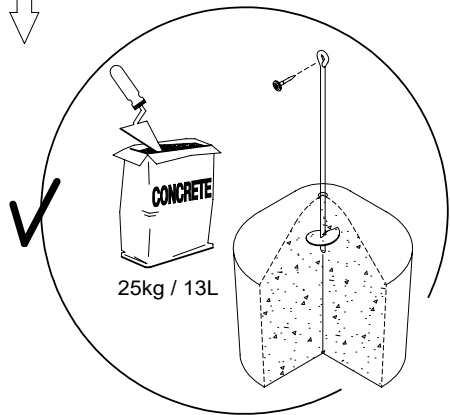
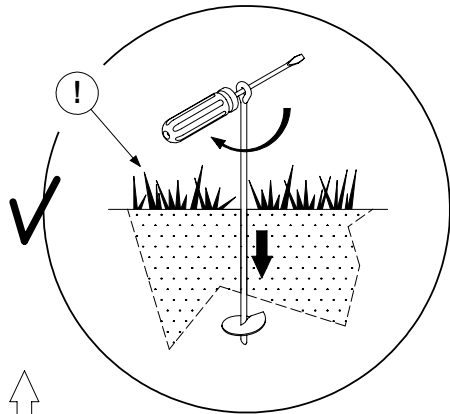
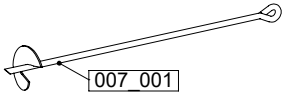


EXTENSION TOWERS

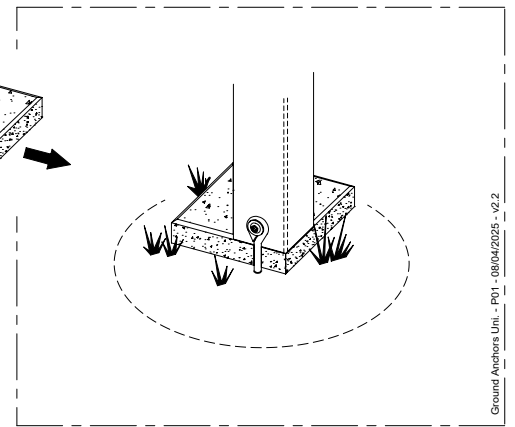
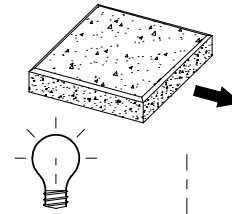
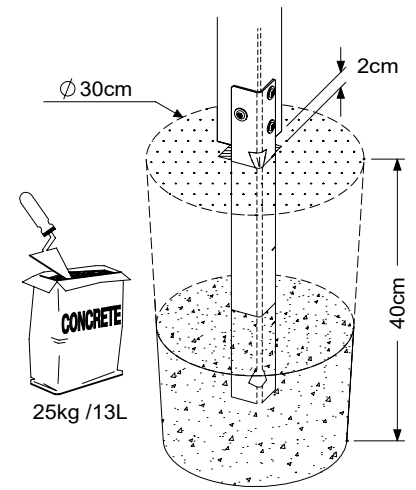
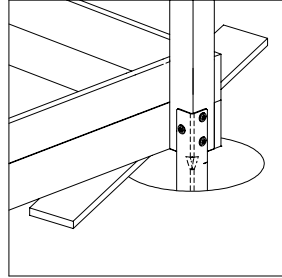
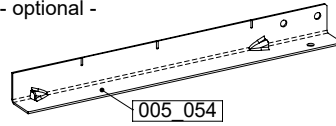


13-1

Screw-in ground anchor



Post ground anchor
- optional -



Ground Anchors Uni. - P01 - 08/04/2025 - v2.2

13-2

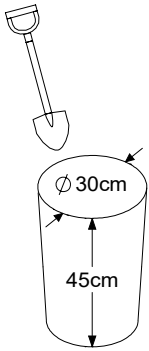
BT

ET

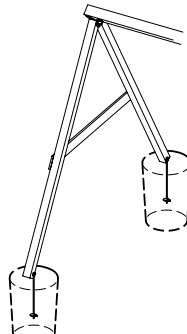
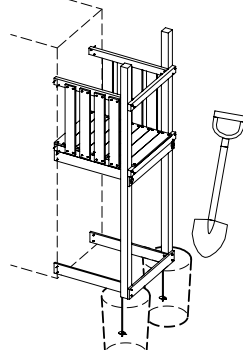
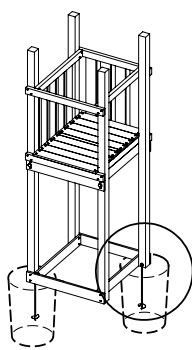
SW / CL

BT / ET

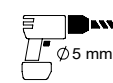
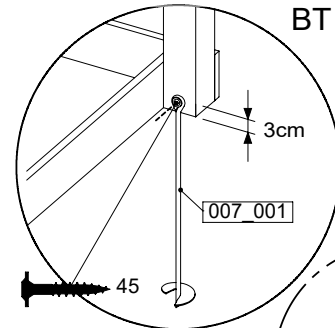
SW / CL



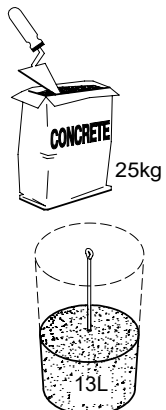
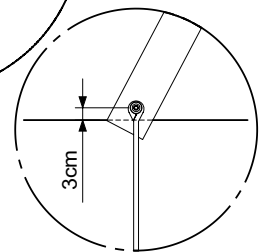
1.



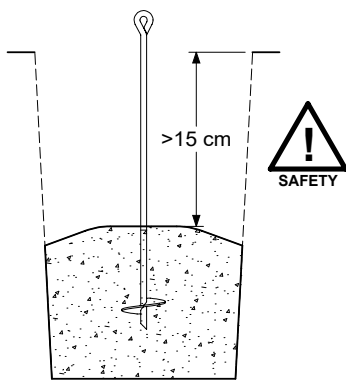
Ground Anchors Uni. - P02 - 08/04/2025 - v2.2



2.



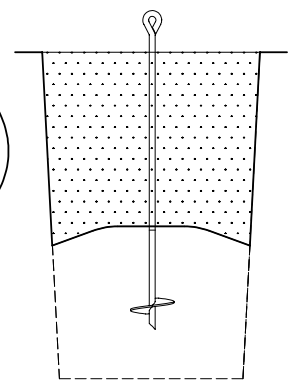
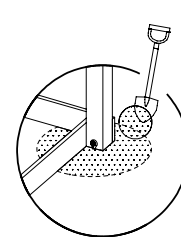
3.



24h



4.

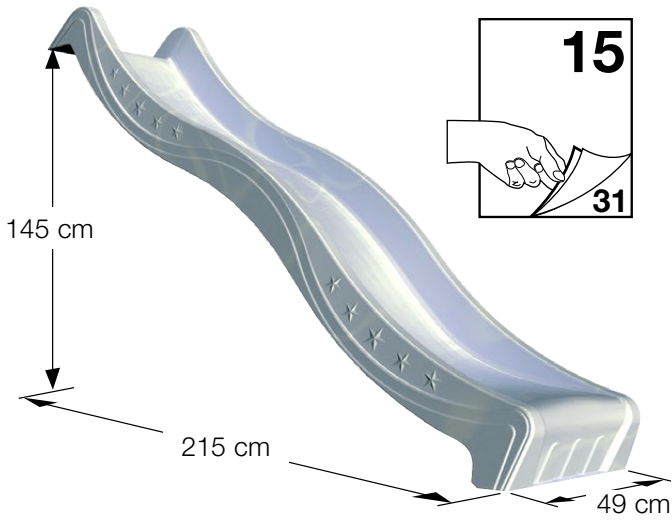


5.

14 Add-on

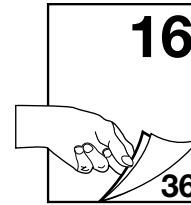
Wavy Star Slide XXL

- 334_100 Yellow
- 334_200 Blue
- 334_300 Green
- 334_400 Red
- 334_500 Fuchsia
- 334_600 Dark Green



Fireman's Pole

201_275



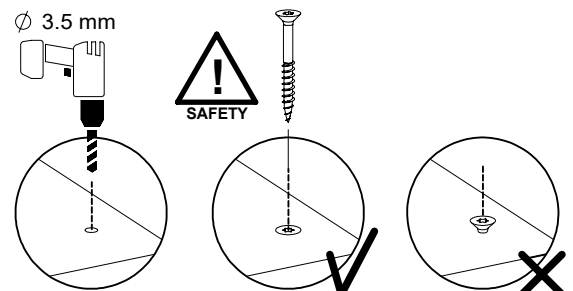
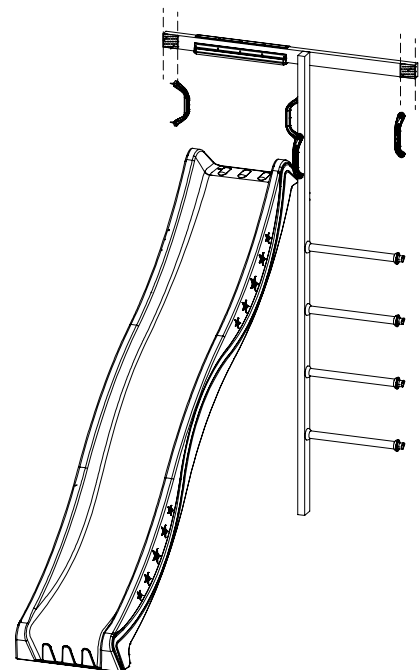
15 Slide Set

SL18

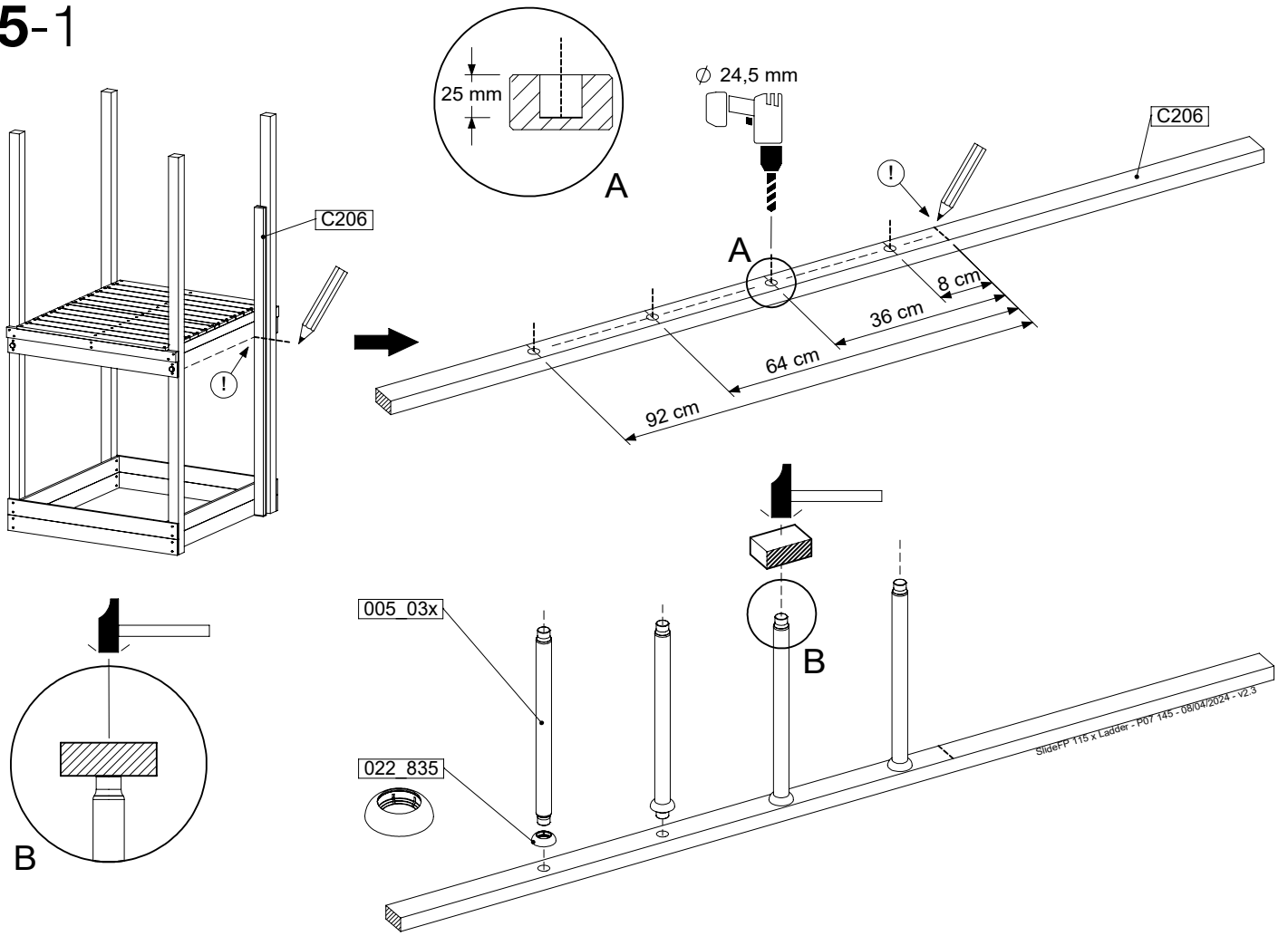
Assembly Packs: 194_107 + 194_004

| | PartNo | PartName | QTY. |
|---------------|---------|-----------------------------|------|
| Hardware Pack | 000_101 | Nail Pan Head | 10 |
| | 002_220 | Gap Point Screw T25 - 5x45 | 12 |
| | 002_223 | Gap Point Screw T25 - 5x80 | 8 |
| | 002_308 | Gap Point Screw T25 - 5x20 | 2 |
| Other | 005_03x | Ladder Rung Y/B/G/R | 4 |
| | 022_835 | Rung Cap | 8 |
| | 120_102 | Handgrip set (complete 2x) | 2 |
| | 123_200 | Bumperpad | 1 |
| | 334_xxx | Wavy Star Slide XXL 2650 mm | 1 |
| Timber | C114 | Beam 1140 mm | 1 |
| | C206 | Beam 2060 mm | 1 |

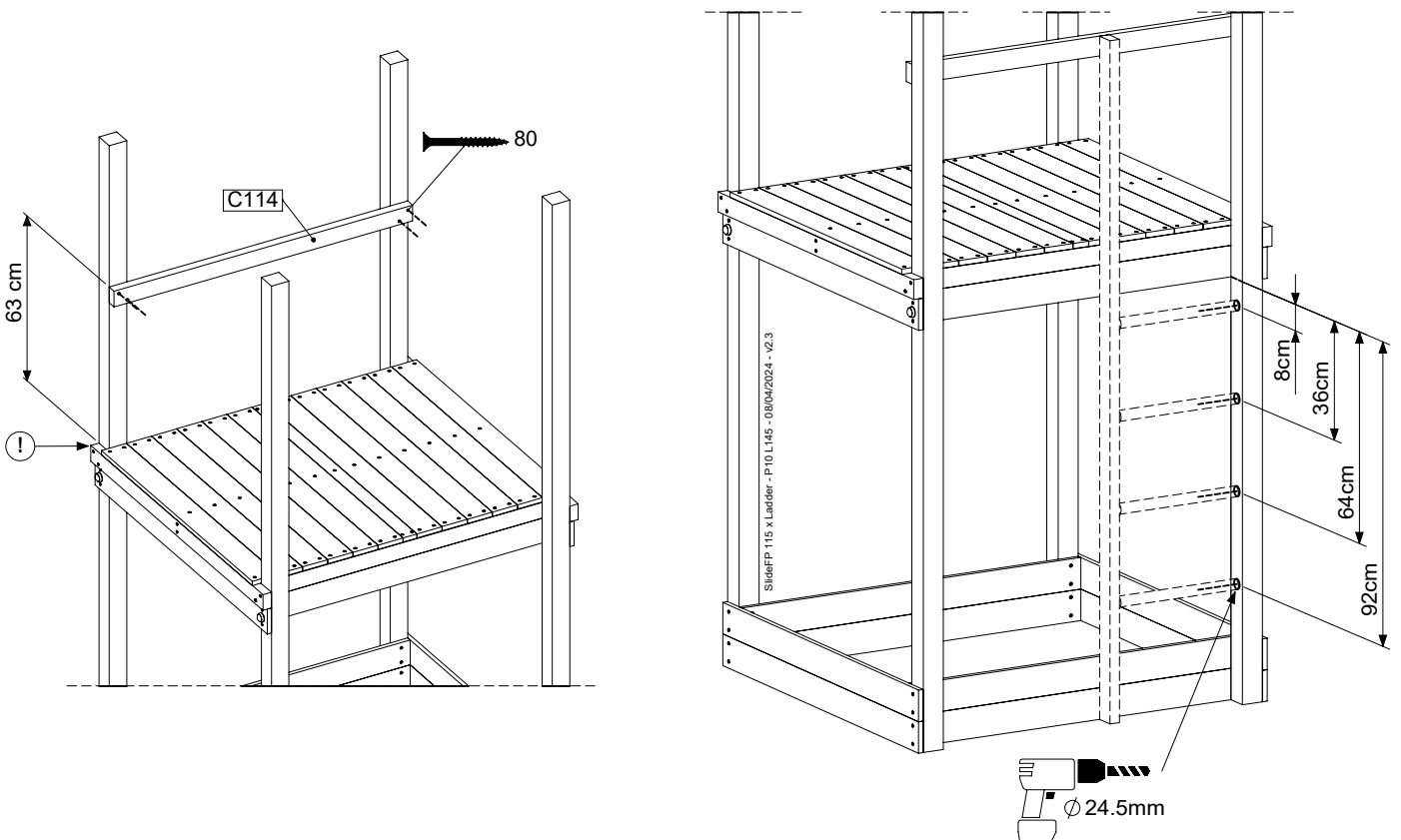
SlideFP-115x-Ladder-P04.L145-08/04/2024-v2.3



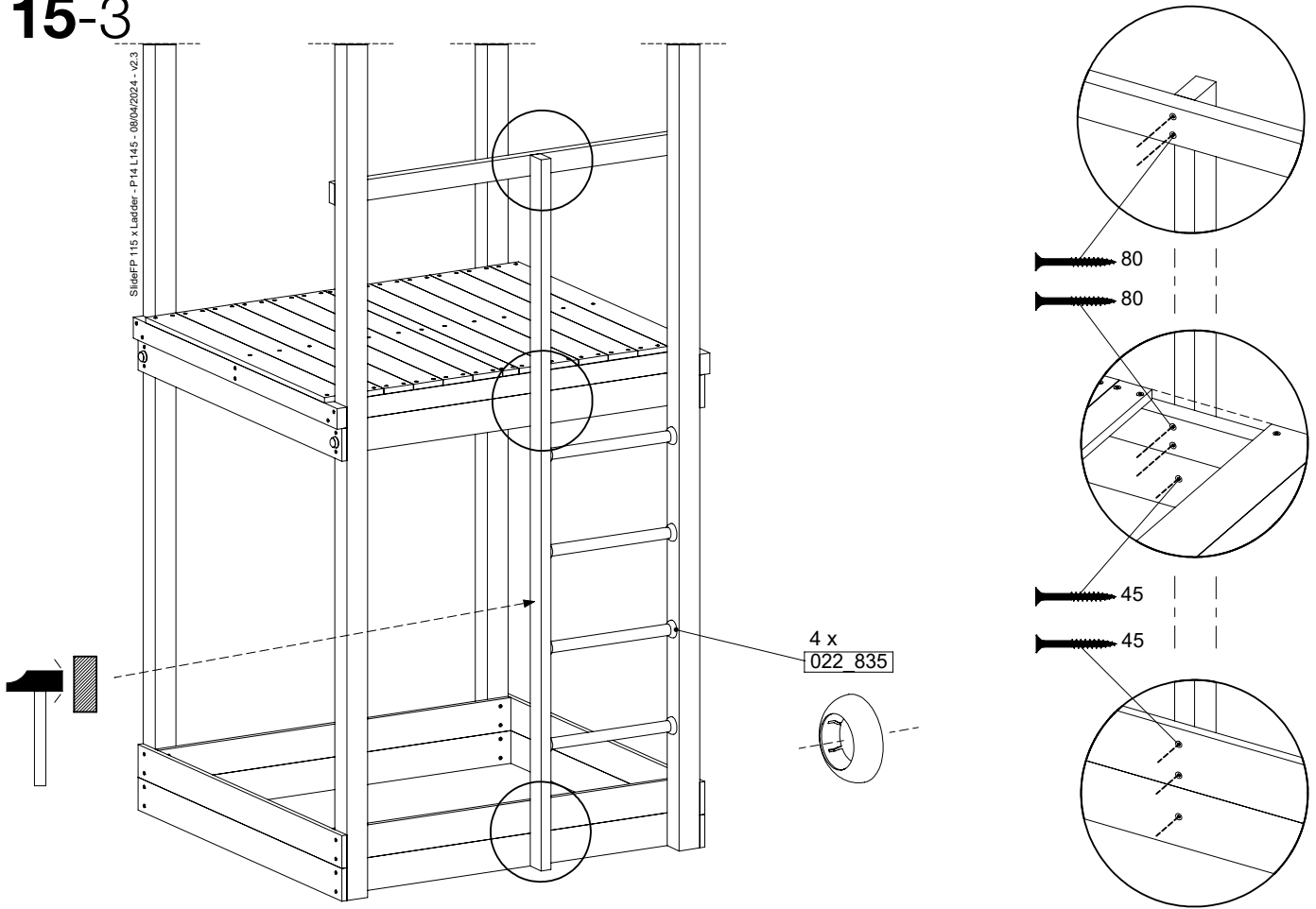
15-1



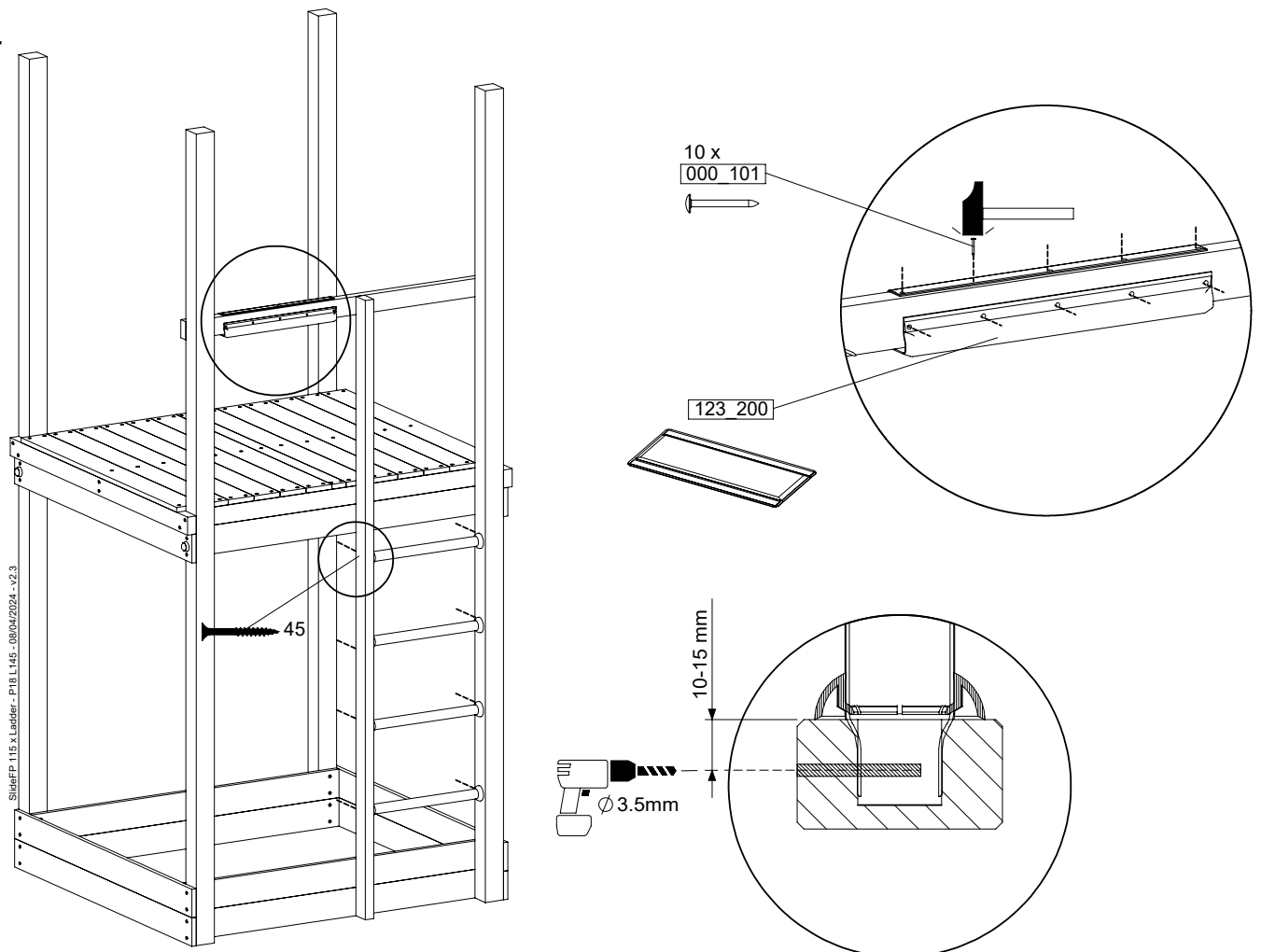
15-2



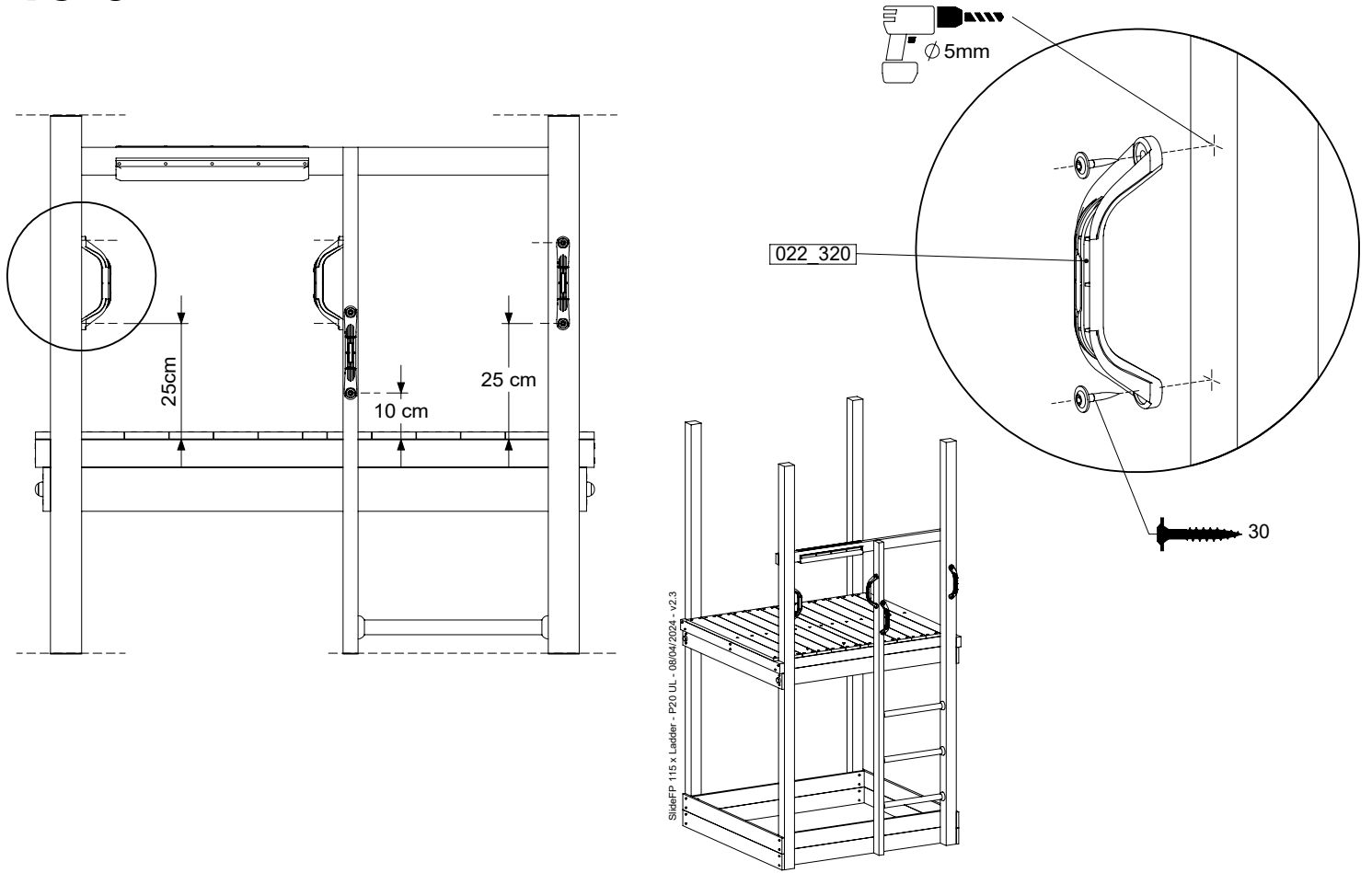
15-3



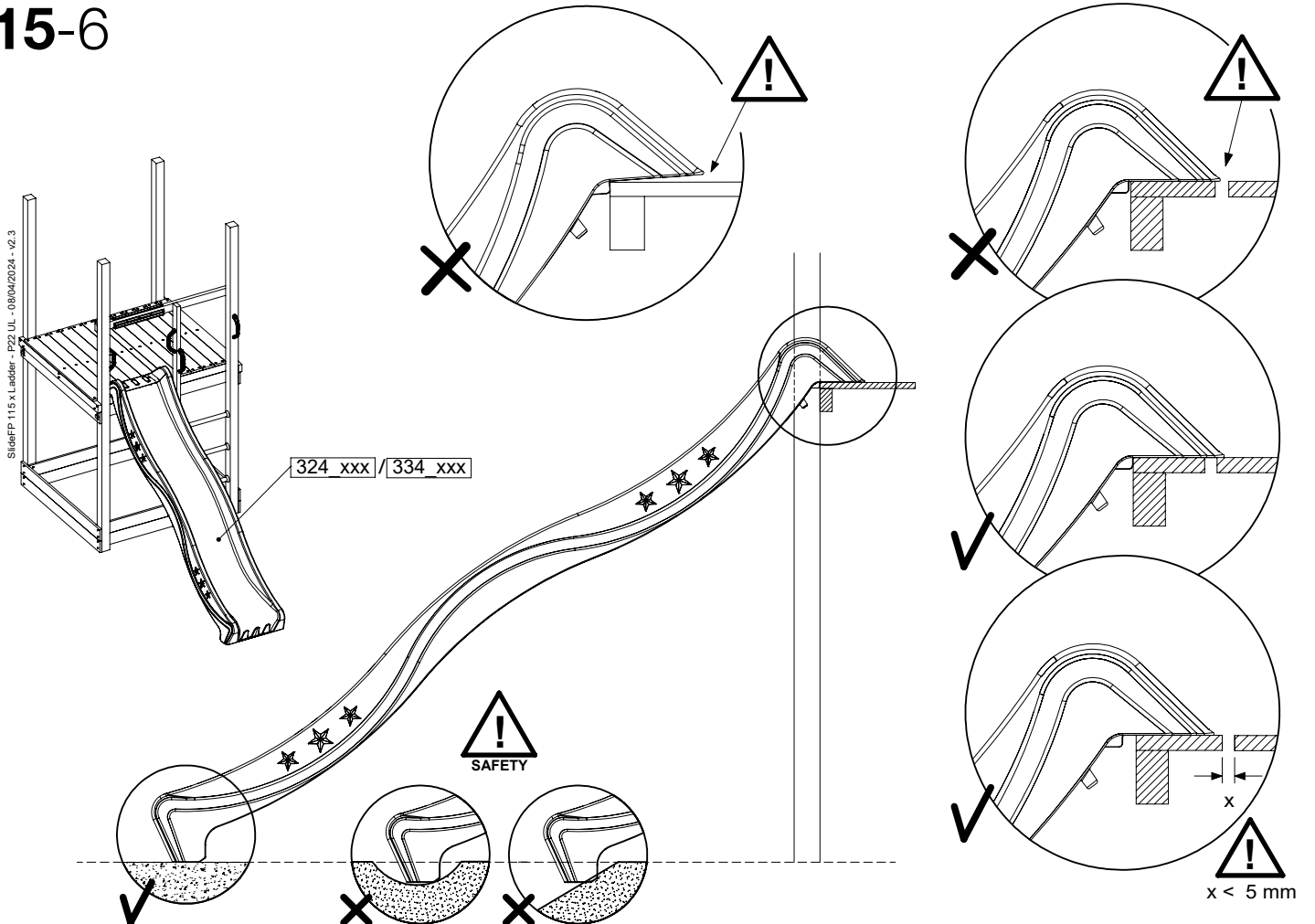
15-4



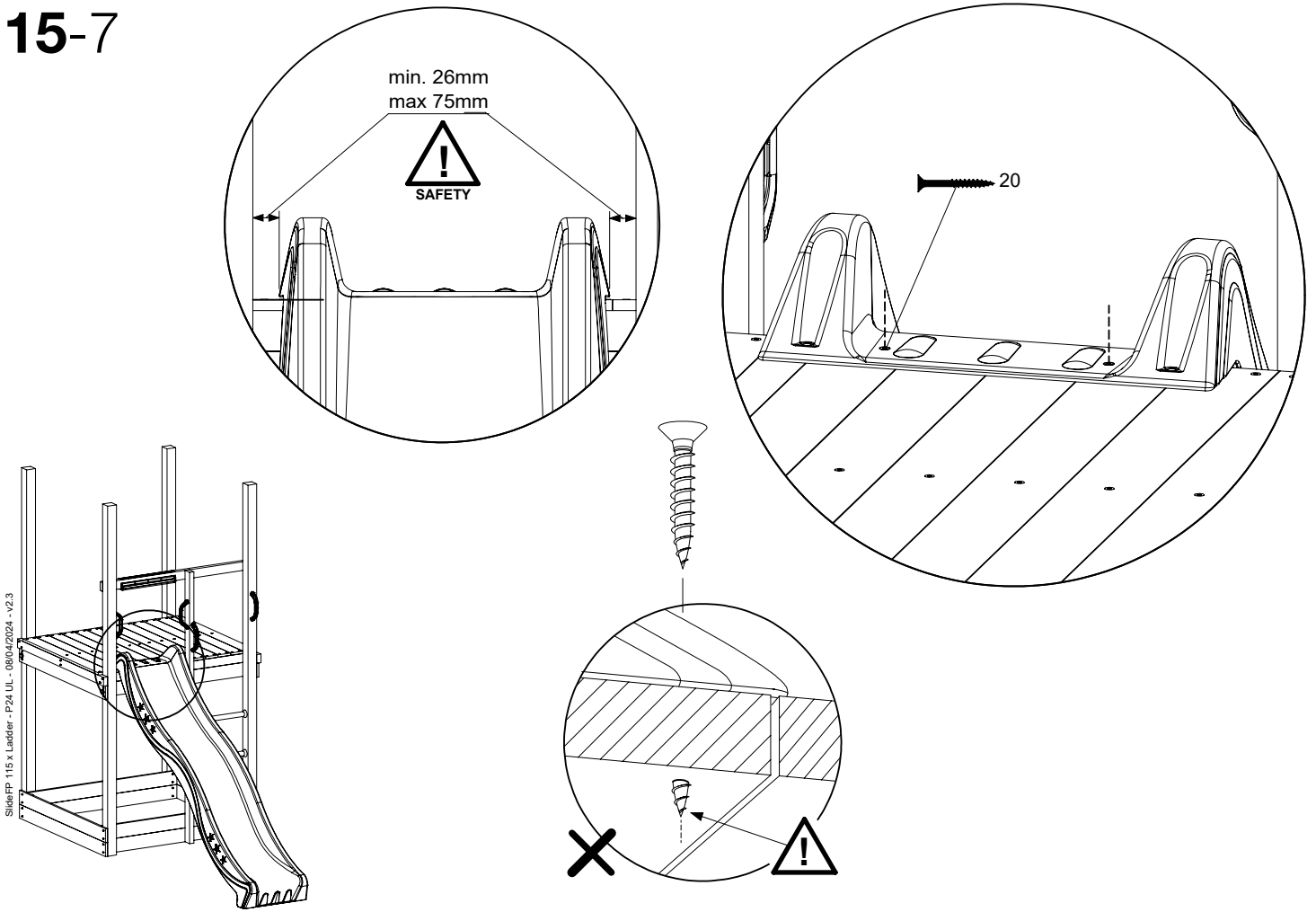
15-5



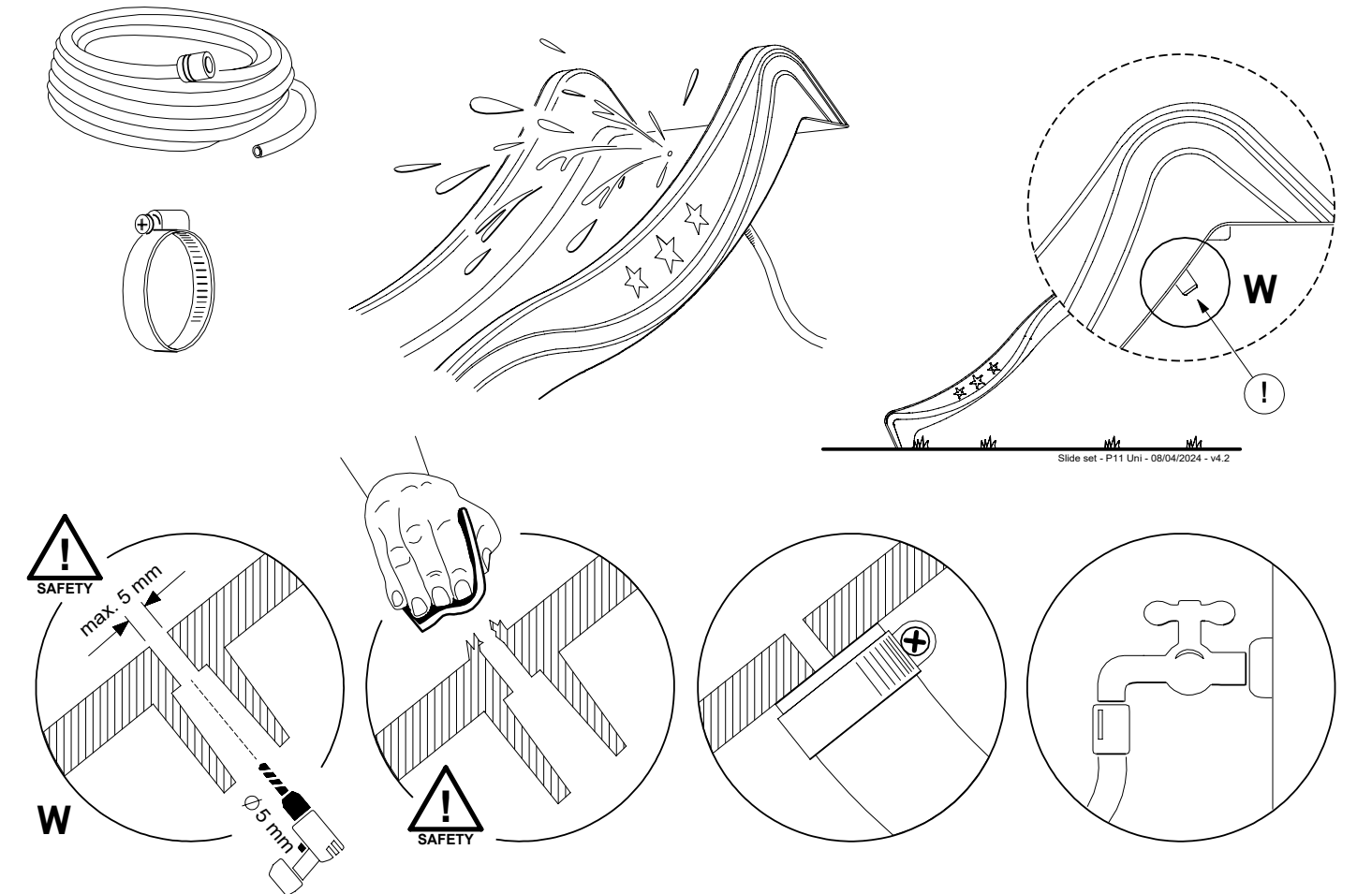
15-6



15-7



15-8



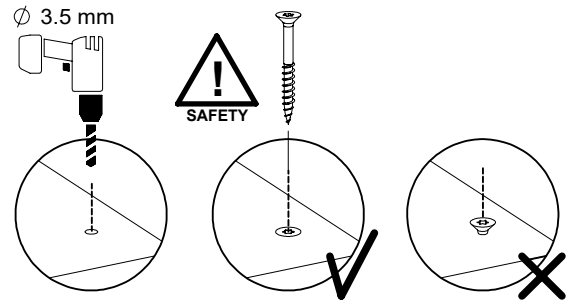
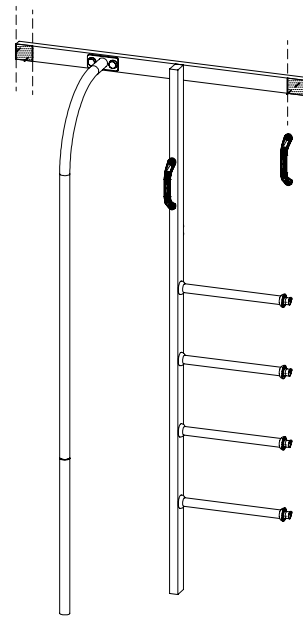
16 Firemans Pole

FP17

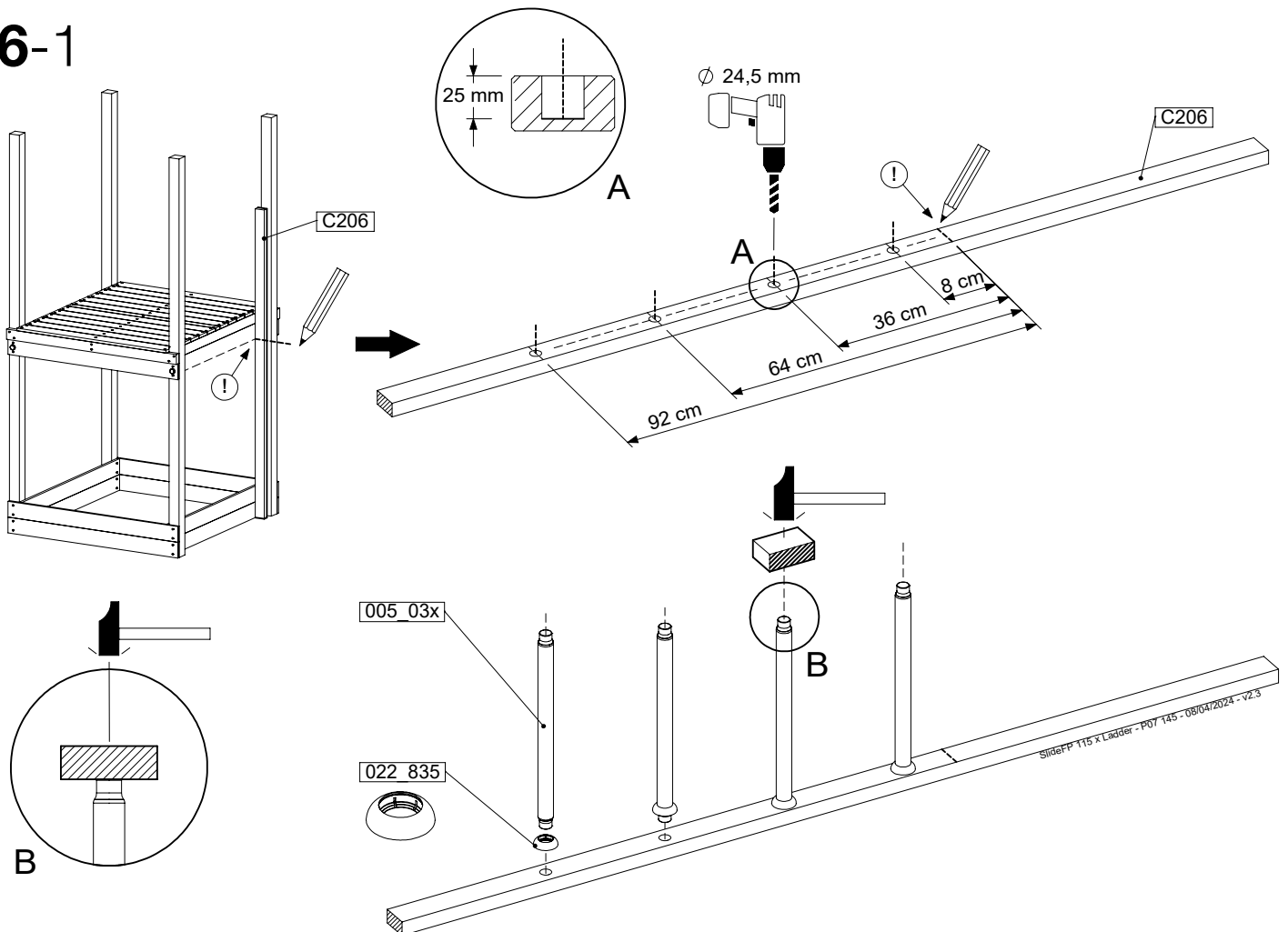
Assembly Packs: 201_275 + 194_004

| | PartNo | PartName | QTY. |
|------------------|---------|----------------------------|------|
| Hardware Pack(s) | 001_103 | M8 Washer Head Screw 40mm | 2 |
| | 002_220 | Gap Point Screw T25 - 5x45 | 12 |
| | 002_223 | Gap Point Screw T25 - 5x80 | 8 |
| | 003_010 | M8 spring lock washer | 2 |
| | 003_040 | M8 Washer | 2 |
| | 004_052 | M8 Drive-in Nut 30mm | 2 |
| | 004_054 | M8 Drive-in Nut 45mm | 2 |
| Other | 005_03x | Ladder Rung Y/B/G/R | 4 |
| | 022_31x | bpc-base version 3 | 2 |
| | 022_84x | bpc cover | 2 |
| | 022_835 | Rung Cap | 8 |
| | 102_915 | Fireman's Pole | 1 |
| | 120_102 | Handgrip set (complete 2x) | 1 |
| Timber | C114 | Beam 1140 mm | 1 |
| | C206 | Beam 2060 mm | 1 |

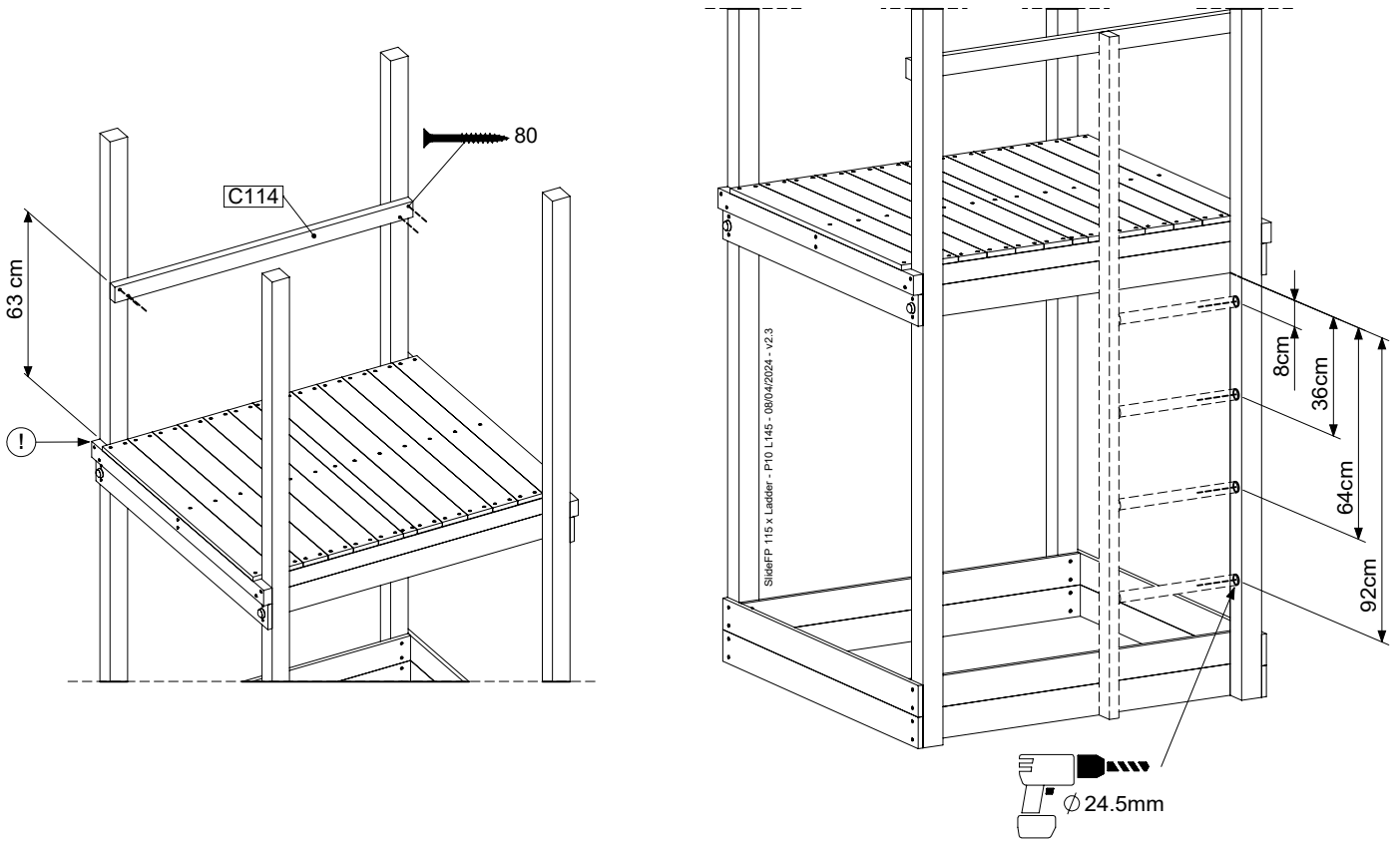
SlideFP 115 x Ladder - P32 FPL145 - 08/04/2024 - v2.3



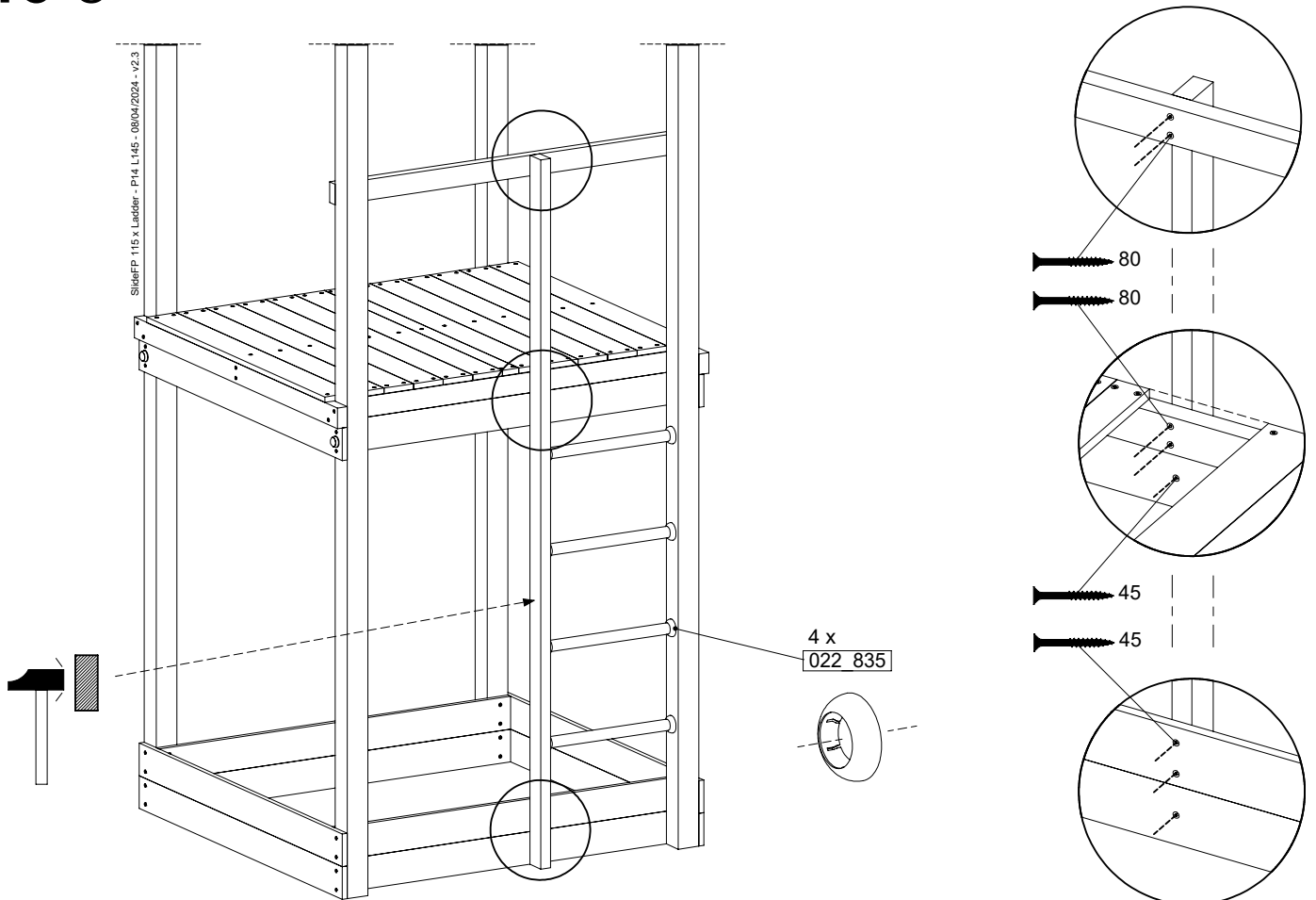
16-1



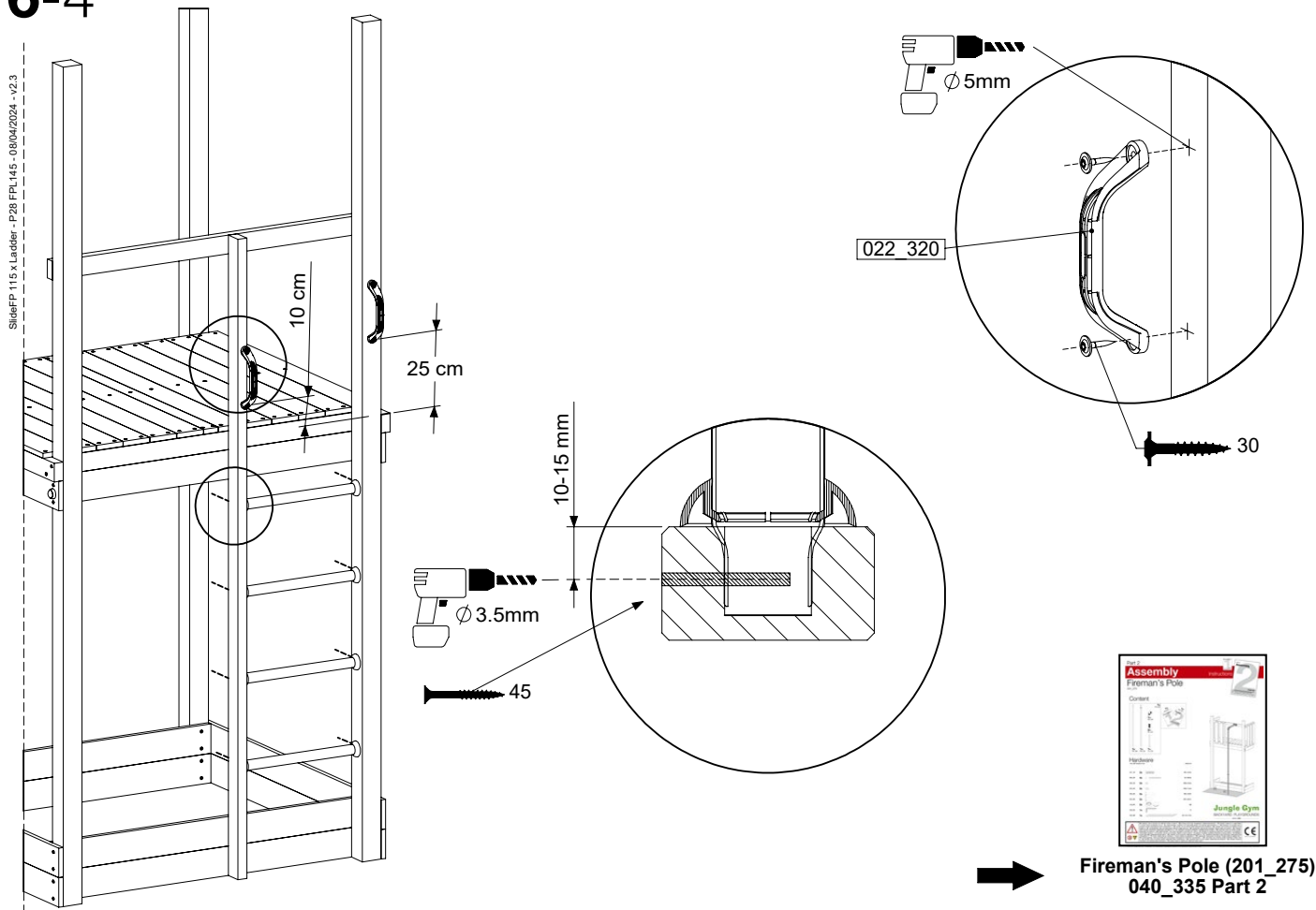
16-2



16-3



16-4

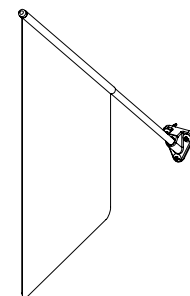
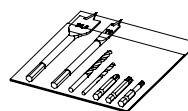
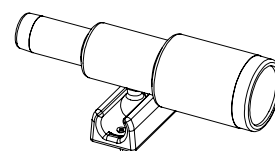
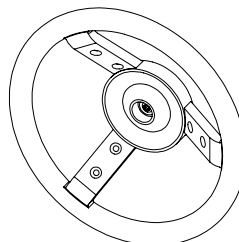


17 Accessories

AC01

(194_119)

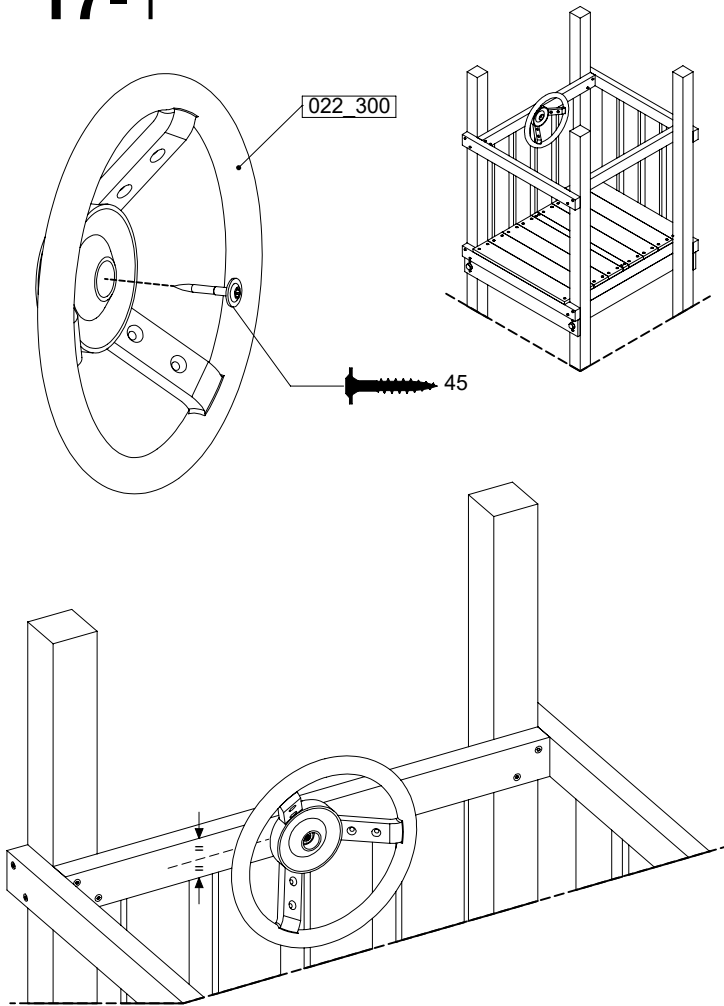
| | PartNo | PartName | QTY. |
|--------------------------|---------|-----------------------------|------|
| Hardware Pack 100_617 | 001_406 | Stealth Screw 8x45 | 1 |
| | 002_041 | Dome head screw 4.5 x 20 mm | 3 |
| | 002_042 | Dome head screw 3.5 x 13mm | 4 |
| | 002_219 | Gap Point Screw T25 - 5x30 | 2 |
| Other | 022_300 | Steering Wheel | 1 |
| | 022_800 | Rail P/T 105 | 1 |
| | 022_910 | Sandpad | 1 |
| | 103_901 | Logo ID Plate | 1 |
| | 104_107 | Tool Set Climbing Units | 1 |
| | 120_024 | Tower Flag | 1 |
| | 122_302 | Telescope | 1 |



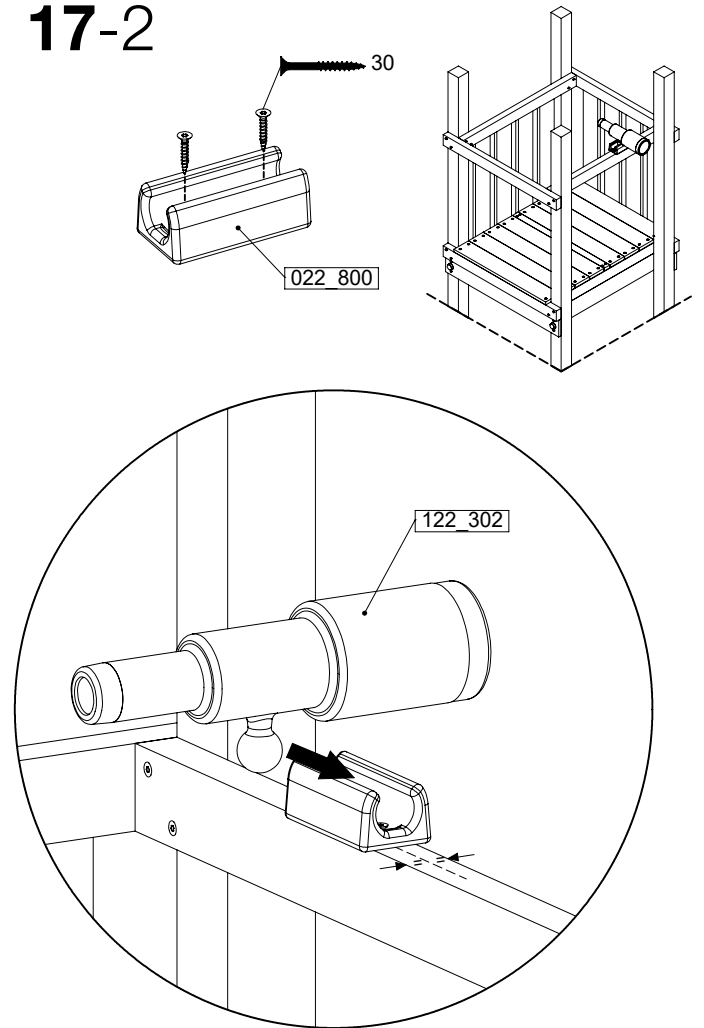
Accessory set - P02 - 24/01/2024 - V5

Manual ID: 040_020_2414

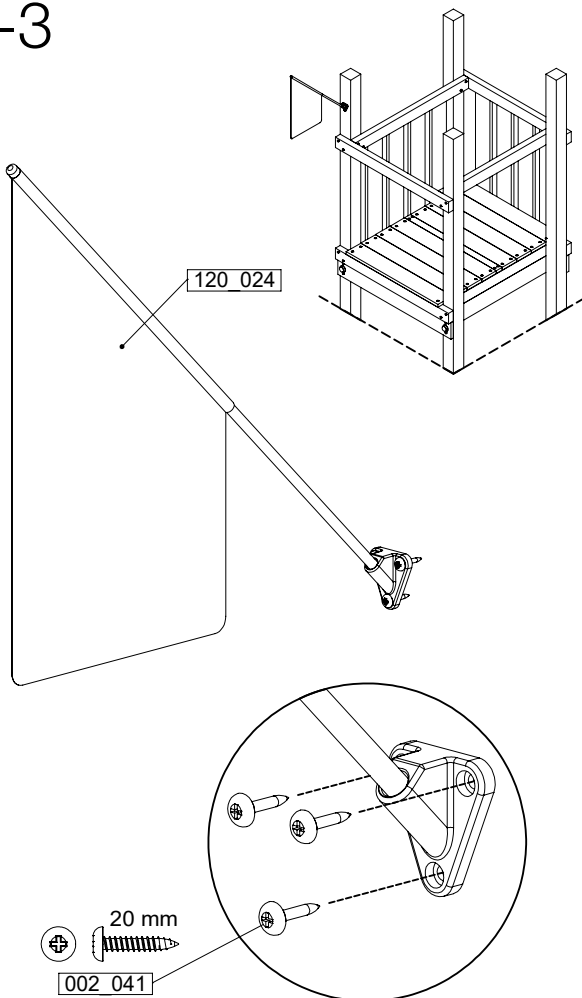
17-1



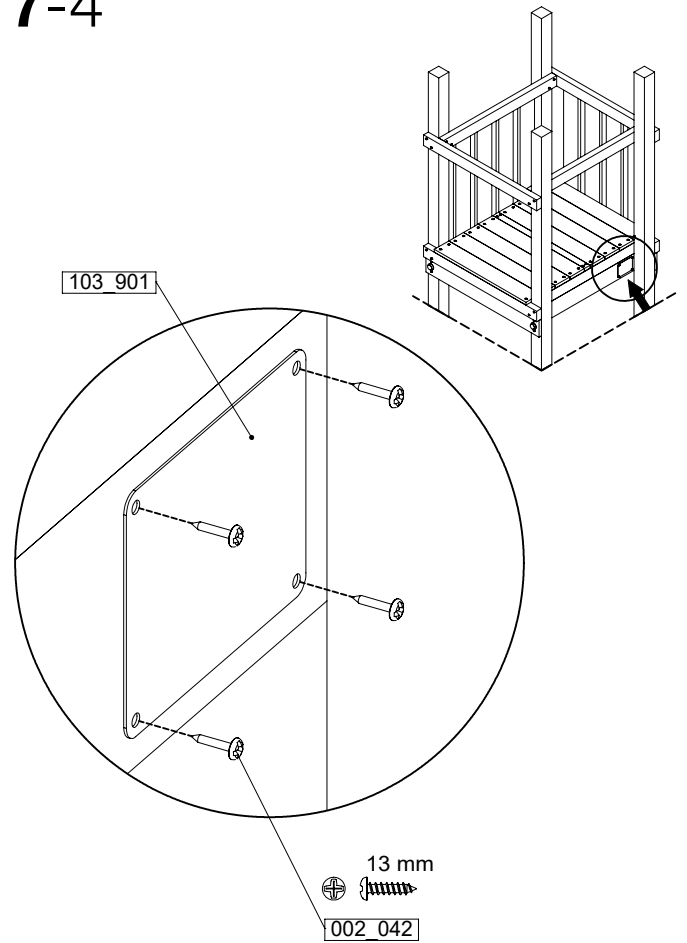
17-2



17-3



17-4

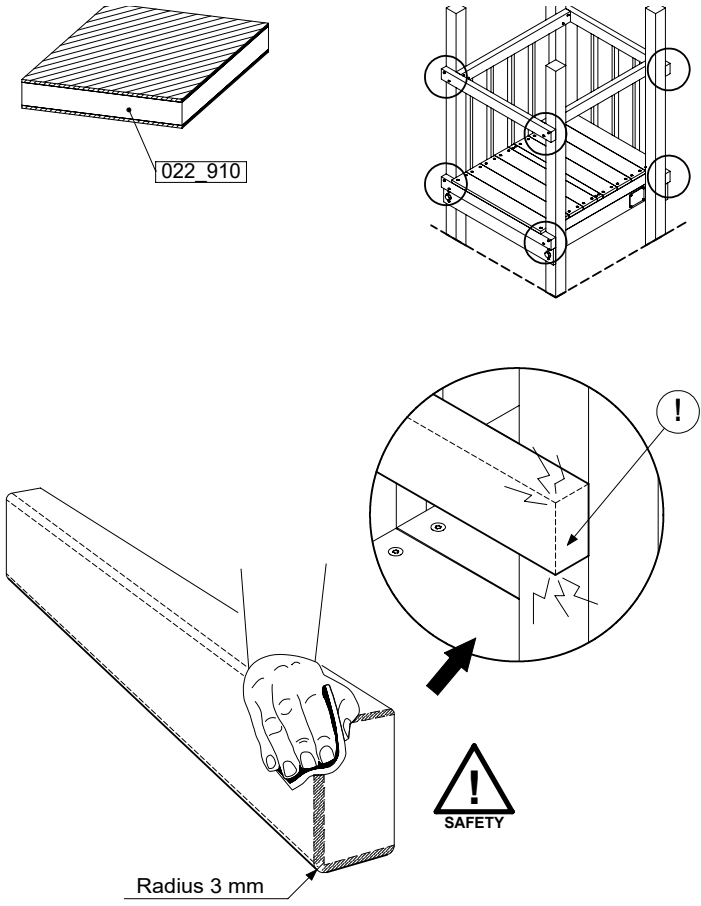


Accessory set - P03 - 24/01/2024 - v5

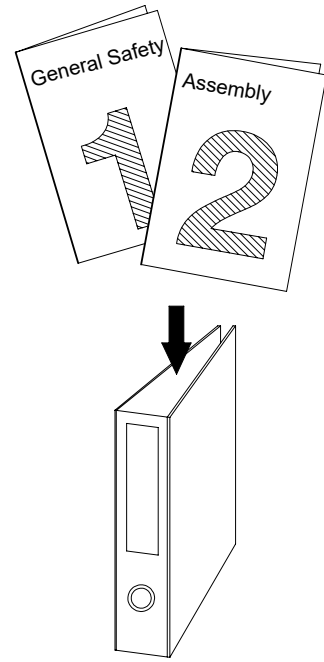
Accessory set - P04 - 24/01/2024 - v5

Manual ID: 040_020_2414

17-5 Safety check



Accessory set - P05 - 24/01/2024 - V5

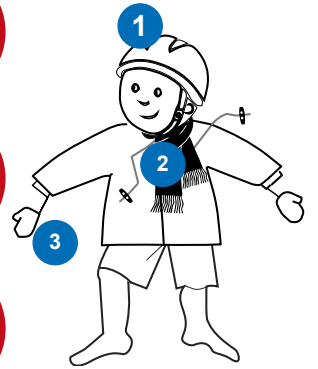
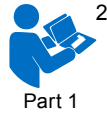
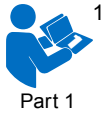




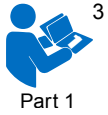
Safe play instructions and safety notices

Sichere Spielanweisungen und Sicherheitswarnungen

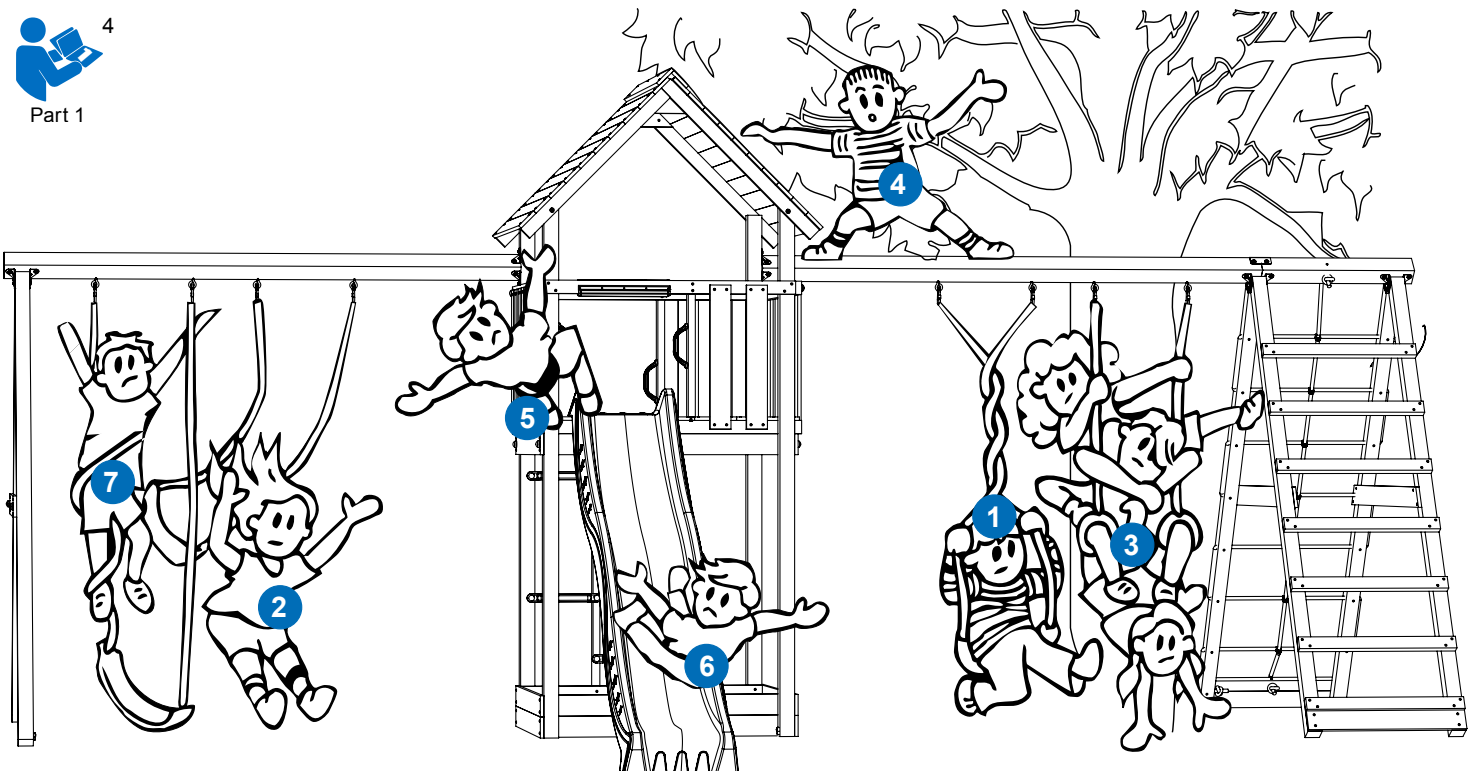
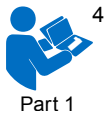
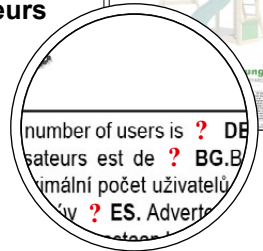
Consignes de jeu sécurisé et avis de sécurité



A



Maximum number of users
Maximale Benutzerzahl
Le nombre maximal d'utilisateurs





EU Declaration of Conformity
UK Conformity Assessed
EU-Konformitätserklärung
Déclaration EU de conformité



(in accordance with 768/2008/EC)

Product range: Activity toys for domestic use
Produktfamilie: Aktivitätsspielzeug für den häuslichen Gebrauch
Gamme de produits: Jouets d'activité à usage familial

DoC reference: 20250411_0500

Climbing frames

a. Assemblies for complete climbing frames - Bausätze für komplette Klettergerüste - Assemblages pour structures d'escalade complètes

| | |
|------------|---|
| Playtowers | 801_005, 801_009, 801_010, 801_013, 801_025, 801_040, 801_060, 801_070, 801_090, 801_095, 801_100, 801_103, 801_105, 801_110, 801_120, 801_200, 802_202, 802_204, 802_206, 802_208, 803_202, 803_204, 803_206, 803_208, 803_210, 809_802, 809_804 |
| Swings | 801_300, 801_601, 801_602 |
| Modules | 850_176, 850_177, 850_231, 850_232, 857_101, 857_102, 857_105, 857_106, 857_151, 857_152, 857_157, 857_158, 850_240 |

b. Assemblies for climbing frames elements - Bausätze für Klettergerüst-Elemente - Assemblages pour éléments de structures d'escalade

| | |
|----------------------------------|--|
| Base towers (BT) | BT01a, BT02a, BT03a, BT11a, BT14a, BT15a, BT20a |
| Extension towers (ET) | ET01a, ET02a, ET05a, ET06a, ET07a, ET08a, ET09a, ET10a, ET11a, ET12a, ET13a, ET14a, ET15a, ET16a, ET17a, ET18a, ET19a, ET20a, ET22a, ET23a, ET27a, ET28a, ET35a, ET29a, ET39a, ET40a |
| Veranda (VD) | VD01a, VD02a, VD03a, VD04a, VD05a |
| Bridges (CB, NB, BB, TB) | CB01a, CB01b, NB01a, BB01a, BB02a, TB01a, TB02a, TB03a, TB04a |
| Roofs (RF) | RF01a, RF21a, RF02a, RF03a, RF04a, RF05a, RF06a, RF20a, RF02b, RF03b, RF28a, RF07a, RF08a, RF22a, RF09a, RF23a, RF11a, RF12a, RF16a, RF07b, RF12b, RF08b, RF22b, RF09b, RF23b, RF11b, RF29a, RF14a, RF24a, RF15a, RF25a, RF18a, RF17a, RF18b, RF14b, RF24b, RF15b, RF25b |
| Balustrade (BL, BF) | BL01a, BL02a, BL11a, BL12a, BL21a, BF25a, BF26a, BF27a, BF28a, BL03a, BL04a, BL13a, BL14a, BF01a, BF02a, BF03a, BF04a, BF05a, BF06a, BF07a, BF08a, BF01b, BF02b, BF03b, BF04b, BF05b, BF06b, BF07b, BF08b, BL05a, BL06a, BL07a, BL08a, BL09a, BL10a, BL15a, BL16a, BF21a, BF22a, BF23a, BF24a, BF21b, BF22b, BF23b, BF24b |
| Playhouse (PH) | PH03a, PH04a, PH05a, PH06a, PH10a, PH11a, PH40a, PH41a, PH12a, PH13a, PH14a, PH15a, PH42a, PH43a, PH44a, PH45a, PH16a, PH17a, PH18a, PH19a, PH30a, PH31a, PH16b, PH17b, PH18b, PH19b, PH46a, PH47a, PH48a, PH49a, PH16c, PH17c, PH18c, PH19c, PH46b, PH47b, PH48b, PH49b, PH20a, PH21a, PH22a, PH23a, PH24a, PH25a, PH26a, PH27a, PH32a, PH33a, PH52a, PH53a, PH54a, PH55a, PH56a, PH57a, PH50a, PH51a, PH26b, PH27b, PH26c, PH27c, PH56b, PH57b |
| Ladder (LA) | LA05a, LA06a, LA01a, LA02a, LA09a, LA03a, LA04a, LA01b, LA02b, LA09b, LA03b, LA04b, LA11a, LA12a, LA13a, LA14a, LA15a, LA16a, LA17a, LA18a, LA31a, LA32a, LA33a, LA34a, LA35a, LA36a, LA37a, LA38a, LA11b, LA12b, LA13b, LA14b, LA15b, LA16b, LA17b, LA18b, LA19a, LA20a, LA21a, LA22a, LA23a, LA24a, LA25a, LA26a, LA43a, LA44a, LA45a, LA46a, LA23b, LA24b, LA25b, LA26b |
| Two Step Ladder (TS) | TS01a, TS01b, TS02a, TS02b, TS03b, TS22a, TS05a, TS06a, TS07a, TS08a, TS09a, TS10a, TS11a, TS12a, TS15a, TS16a, TS17a, TS18a, TS19a, TS20a, TS21a, TS22a |
| Rope Ladder (RL) | RL01a, RL02a, RL05a, RL06a, RL07a, RL08a, RL09a, RL10a, RL11a, RL12a, RL15a, RL16a, RL19a, RL20a |
| Rock wall (RW) | RW01a, RW02a, RW01b, RW02b, RW03b, RW31a, RW32a, RW05a, RW06a, RW07a, RW08a, RW09a, RW10a, RW11a, RW12a, RW05b, RW06b, RW07b, RW08b, RW40a, RW41a, RW40b, RW41b, RW42a, RW43a, RW15a, RW16a, RW17a, RW18a, RW19a, RW20a, RW46a, RW47a |
| Ramp (RA) | RA01b, RA02b, RA03a, RA04a, RA21a, RA05a, RA06a, RA07a, RA08a, RA05b, RA06b, RA07b, RA08b, RA11a, RA12a, RA09b, RA10b, RA11b, RA12b |
| Net (NA, NS) | NA01a, NA02a, NS01a, NS02a, NS03a, NS21a, NA04a, NA05a, NS04a, NS05a, NS06a, NS07a, NA08a, NA09a, NS08a, NS09a |
| Boat (BO) | BO01a |
| Market (MT) & Target Canvas (TC) | MT01a, MT02a, TC01a, TC02a, MT01b, MT02b, TC01b, TC02b, MT05a, MT06a, MT11a, MT12a |
| Picnic (PC) | PC01a, PC01b, PC05a, PC06a, PC09a, PC10a |
| Gymnastics bar (GY) | GY01a |
| Fireman's pole (FP) | FP01a, FP02a, FP04a, FP05a, FP06a, FP07a, FP23a, FP24a, FP25a, FP26a, FP27a, FP28a |
| Slides (SL) | SL01a, SL02a, SL03a, SL06a, SL07a, SL08a, SL09a, SL10a, SL11a, SL12a, SL13a, SL26a, SL27a, SL28a, SL29a |
| Swing (SM) | SW17a, SW21a, SW18a, SW22a, SW19a, SW23a, SW01a, SW05a, SW02a, SW06a, SW03a, SW07a, SW09a, SW13a, SW10a, SW14a, SW11a, SW15a |
| Climb (CL) | CL17a, CL21a, CL18a, CL22a, CL19a, CL23a, CL01a, CL05a, CL02a, CL06a, CL03a, CL07a, CL09a, CL13a, CL10a, CL14a, CL11a, CL15a |
| Universal Beam (UB) | UB01a, UB04a, UB02a, UB05a, UB03a, UB06a, UB07a, UB08a |
| Accessories (AC) | AC40a, AC30a, AC31a, AC32a, AC33a, AC01a, AC05a, AC07a, AC03a, AC04a, AC06a, AC23a, AC22a, AC24a, AC21a, AC25a, AC02a, AC09a, AC08a, AC10a |

Construction packages

a. Assembly kits for complete climbing frames - Bausätze für komplette Klettergerüste - Kits de construction pour structures d'escalade complètes

| | |
|------------|---|
| Playtowers | 401_015, 401_080, 401_125, 402_201, 402_202, 402_204, 402_206, 402_208, 403_202, 403_204, 403_206, 403_208, 403_210, 409_802, 409_804 |
| Swings | 401_300, 401_600 |
| Modules | 457_005, 457_102, 457_103, 457_106, 457_107, 457_205 |

b. Assembly packs for climbing frames elements - Baupakete für Klettergerüst-Elemente - Packs de construction pour éléments de structures d'escalade

| | |
|----------------|---|
| Sub assemblies | 194_002, 194_003, 194_004, 194_006, 194_007, 194_008, 194_009, 194_010, 194_011, 194_100, 194_101, 194_102, 194_103, 194_104, 194_105, 194_107, 194_108, 194_109, 194_110, 194_111, 194_112, 194_113, 194_114, 194_115, 194_116, 194_117, 194_118, 194_119, 194_300, 194_308, 194_312, 194_500, 194_501, 194_508, 194_510, 194_802, 194_804, 194_809, 194_810, 194_811, 194_812 |
|----------------|---|

Accessories and components - Zubehör und Komponenten - Accessoires et composants

| | |
|----------------|---|
| Slides XL | 324_100, 324_200, 324_300, 324_400, 324_500, 324_600 |
| Slides XXL | 334_100, 334_200, 334_300, 334_400, 334_500, 334_600 |
| Fireman's pole | 201_275 |
| Climbing | 201_060, 201_273 |
| Imagination | 201_280, 201_285, 201_290, 201_295, 202_473, 450_310, 450_320, 450_330 |
| Swinging | 250_001, 250_013, 250_025, 250_034, 250_053 |
| Functional | 123_220, 123_222, 123_230, 201_115, 201_220, 201_250, 201_260, 201_270, 202_620, 202_621, 202_622, 202_623, 202_624, 202_625, 202_626, 202_627, 202_628, 202_629, 202_824, 250_060, 250_065, 250_070, 250_075 |

Applicable EU and UK directives, regulations and standards

General directives

- EU Product Safety Regulation (GPSR 2023/988/EC)
- UK General Product Safety Regulations (GPSRs SI 2005/1803)
- EU Reach Directive 1907/2006
- AfPS GS 2019:01 PAK

Toy directives

- EU Toys Safety Directive (TSD 2009/48/EC)
- UK Toys Safety Regulations 2011 (TSR SI 2011/1881)

Harmonised European and UK toy standard

- Safety of toys (EN 71)
 - Part 1: Mechanical and physical properties (prEN 71-1:2024)
 - Part 2: Flammability (EN 71-2:2020/prA1:2023)
 - Part 3: Migration of certain elements (EN 71-3:2019+A1:2021)
 - Part 8: Activity toys for domestic use (prEN 71-8:2024)

Additional audits

Test reports / Certificate:

TüV Rheinland Product Safety GmbH
Am Grauen Stein, 51105 Köln, Germany
Zertifikat: R 60010766, R 60024578
Prüfbericht: 21115718_003/004/005, 21140630_001/002

Prüfbericht / Zertifikat:

Rapport d'essai / certificate:

Dekra Automobil GmbH
Handwerkstraße 15, 70565 Stuttgart, Germany
Prüfbericht: 340331500_55245585/13-2, 55247432.14-1, 55247432.14-2

Laboratoire National de métrologie et d'essais (LNE)
29 Avenue Roger Hennequin, 78197 Trappes Cedex, France
Revue documentaire: K080196

Design

Product image:

Produktbild:

Image du produit:

Design Code:

W9apw8

Production date:

12-05-2025



Declaration

This declaration of conformity is issued solely under the responsibility of the manufacturer, who asserts that the aforementioned products comply with the applicable directives and harmonized standards, provided that installation, assembly, and maintenance are performed in accordance with the instructions supplied.

Diese Konformitätserklärung wird ausschließlich unter der Verantwortung des Herstellers ausgestellt, der erklärt, dass die genannten Produkte den geltenden Richtlinien und harmonisierten Standards entsprechen, vorausgesetzt, dass Installation, Montage und Wartung gemäß den bereitgestellten Anweisungen durchgeführt werden.

Cette déclaration de conformité est émise uniquement sous la responsabilité du fabricant, qui affirme que les produits mentionnés ci-dessus sont conformes aux directives applicables et aux normes harmonisées, à condition que l'installation, le montage et l'entretien soient réalisés conformément aux instructions fournies.

Manufacturer details

Jungle Gym B.V.
P.O. Box 75083
1070 AB Amsterdam
Netherlands
www.junglegym.com
info@junglegym.com
+31 85 44 44 100

Jungle Gym
BACKYARD PLAYGROUNDS

since 1988

Amsterdam, December 1st, 2024

On behalf of the manufacturer
Jungle Gym B.V.


Paul Schmit
CEO