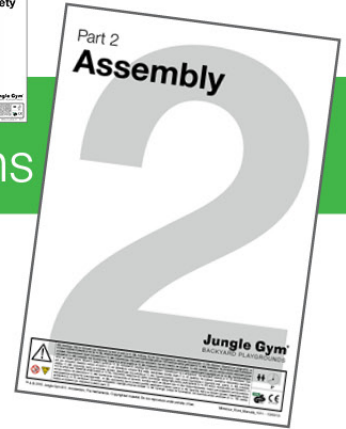


Part 2

Assembly

Instructions

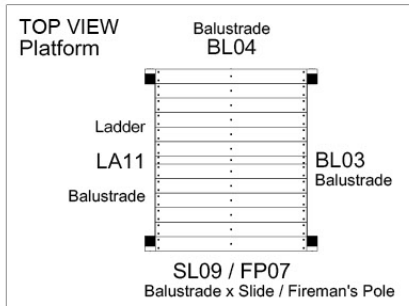


Jungle Club 2.1 &

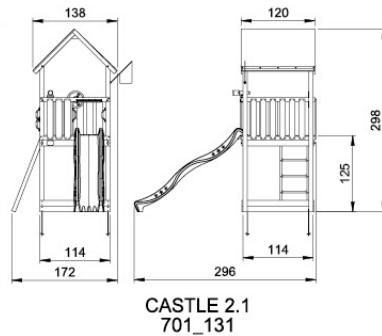
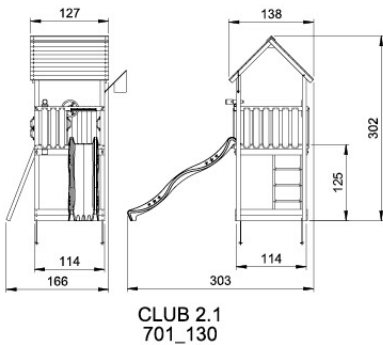
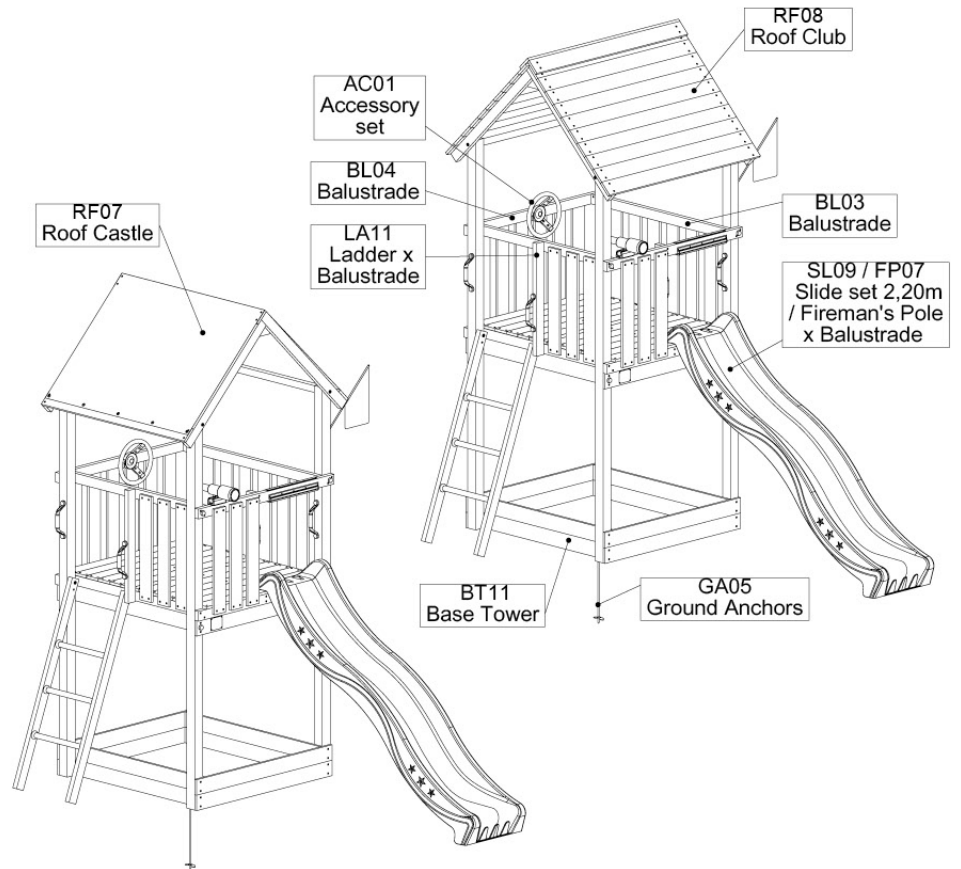
801_130

Jungle Castle 2.1

801_131



AK120125 info - 809 - 30-11-2020 - v1



Jungle Gym

BACKYARD PLAYGROUNDS

since 1988

| | | |
|--|---|--------------------------|
| | <p>EN. Warnings. Only for domestic use. Maximum number of users is 6. DE. Achtung. Nur für den Hausgebrauch. Maximale Benutzerzahl: 6. FR. Attention. Réserve à un usage familial. Le nombre maximal d'utilisateurs est de 6. NL. Waarschuwingen. Uitsluitend voor huishoudelijk gebruik. Het maximale aantal gebruikers is 6. BG. Внимание. За употреба само в домашни условия. Максималният брой потребители е 6. CS. Varování. Jen pro domácí použití. Maximální počet uživatelů je 6. DA. Advarsel. Kun til privat brug. Maksimum antal brugere er 6. EL. Προειδοποίηση. Μόνο για οικιακή χρήση. Μέγιστος αριθμός χρηστών 6. ES. Advertencias. Solo para uso doméstico. Número máximo de usuarios: 6. ET. Holatused. Ainult koduseks kasutamiseks. Maksimaalne kasutajate arv on 6. FI. Varoitukset. Ainoastaan kotikäyttöön. Käyttäjää yhteensä enintään 6. HR. Upozorenja. Samo za kućansku uporabu. Maksimalan broj korisnika je 6. HU. Figyelmeztetések. Csak otthoni használatra! A használók max. száma: 6. IS. Varnaðarorð. Engöngu fyrir einhnanotkun í heimahúsum og á einaklóðum. Hámarksfjöldi notenda er 6. IT. Avvertenze. Solo per uso domestico. Massimo numero di utenti è 6. LT. Įspėjimai. Tik buitnam naudojimui. Maksimalus naudotojų skaičius 6. LV. Brīdinājumi. Izmanto tikai mājās. Maksimālais lietotāju skaits ir 6. NO. Advarsel. Kun for privat bruk. Maksimalt antall brukere er 6. PL. Ostrzeżenia. Wyłącznie do użytku domowego. Maksymalna liczba użytkowników to 6. PT. Avisos. Apenas para uso doméstico. O número máximo de utilizadores é 6. RO. Avertismente. Numai pentru uz domestic. Numărul maxim de utilizatori este 6. RU. Предостережения. Только для домашнего использования. Максимальное количество пользователей - 6. SK. Upozornenia. Iba na domáce použitie. Maximálne množstvo osôb je 6. SL. Opozorila. Samo za domačo uporabo. Maksimalno število uporabnikov je 6. SR. Upozorenja. Samo za kućnu upotrebu. Maksimalan broj korisnika je 6. SV. Varningar. Endast för hemmabruk. Det maximala antalet användare är 6. TR. Uyarılar. Sadece ev kullanımı için. Maksimum kullanıcı sayısı 6.</p> | <p>4^h</p> |
| | | <p>EN 71-1:2013-8A-9</p> |

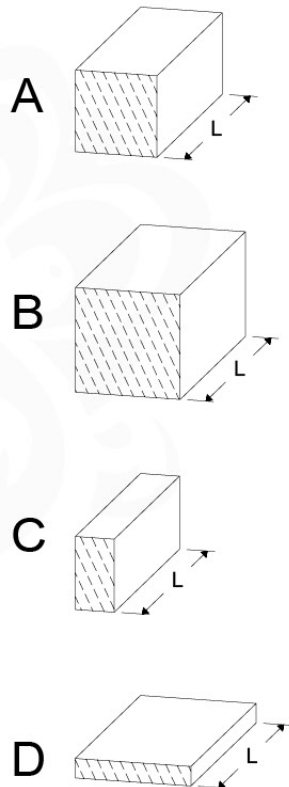
What's in the delivery?

401_125 / 123_222 (Jungle Castle 2.1)

| | | | | |
|---|---|---|---|--|
| <p>1x 040_805</p> <p>1x 040_030</p> | <p>1x 022_300</p> | <p>1x 120_024</p> | <p>2x 007_001</p> | <p>4x 022_320</p> |
| <p>1x 103_901</p> | <p>1x 122_302</p> <p>1x 022_800</p> | <p>1x 123_200</p> | <p>1x 104_107</p> | <p>1x 100_051</p> |
| <p>1x 022_910</p> | <p>3x 005_03x</p> <p>6x 022_835</p> | <p>1x 120_243</p> <p>8x 120_005</p> | <p>1x 120_400</p> <p>9x 022_845</p> | <p>(Jungle Castle 2.1) 123_222</p> <p>120 cm</p> <p>Canvas</p> |

Timber

Jungle Club 2.1 | Castle 2.1



| L | | | |
|-------------------------------------|--|--|--|
| | | 601_130 Jungle Club 2.1 | 601_131 Jungle Castle 2.1 |
| A240 | 239cm - 240cm | 4 x | 4 x |
| - | - | - | - |
| C130 C114 C96 C90 C70 | 129cm - 130cm 113cm - 114cm 95cm - 97cm 89cm - 90cm 69cm - 70cm | 2 x 9 x 2 x 2 x 2 x | 2 x 9 x 2 x 2 x 2 x |
| D127 D120 D114 D100 D65 | 126cm - 127cm 119cm - 120cm 113cm - 114cm 99cm - 100cm 64cm - 65cm | 18 - 24 x 12 x 13 - 14 x 19 x | 3 x 12 x 13 - 14 x 19 x |

output: 02/12/20

General Hardware Types

| | | L | |
|--|--|---|--|
| | | 000_101 | 20 mm |
| | | 001_102 | 30 mm |
| | | 001_404 001_406 001_411 001_417 001_422 | 30 mm 45 mm 60 mm 80 mm 137 mm |
| | | 002_036 | 16 mm |
| | | 002_041 | 20 mm |
| | | 002_042 | 13 mm |
| | | 002_301 | 40 mm |

| | | L | |
|--|--|--|----------------------------------|
| | | 002_308 002_219 002_220 002_223 | 20 mm 30 mm 45 mm 80 mm |
| | | 003_010 | |
| | | 003_034 | |
| | | 004_050 | 22mm |
| | | 022_845 022_846 022_847 022_848 | Yellow Blue Green Red |
| | | 023_031 | White |
| | | 120_005 | White |

output: 20/11/20

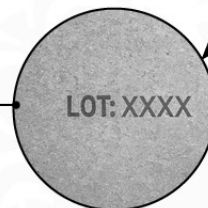
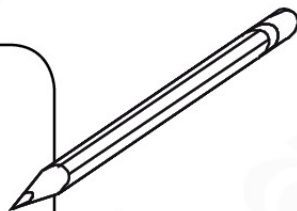
01 Product Identification



Art. Description: _____

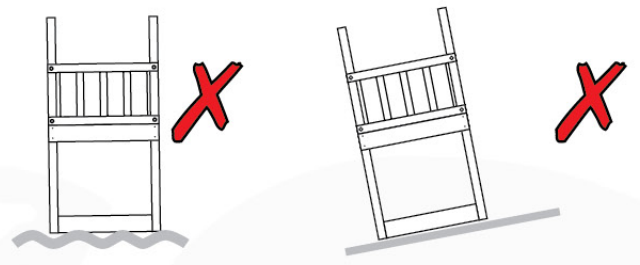
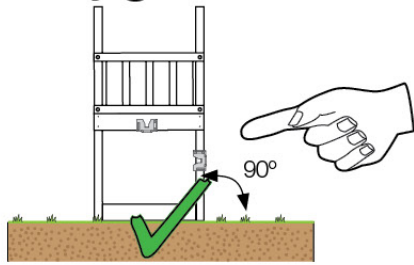
Art. Reference: _____

LOT: _____

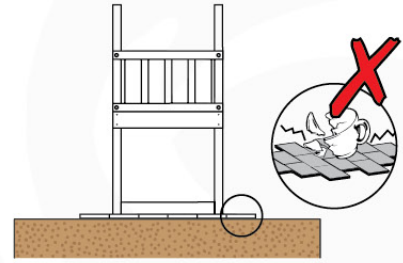
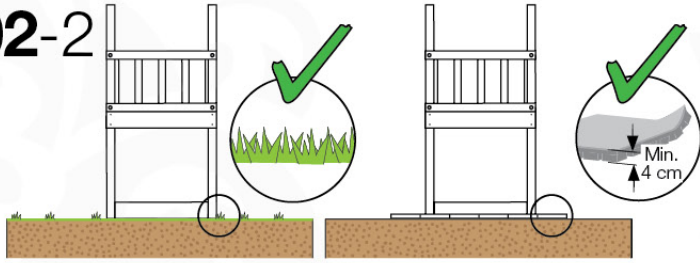


02 Safe Playground

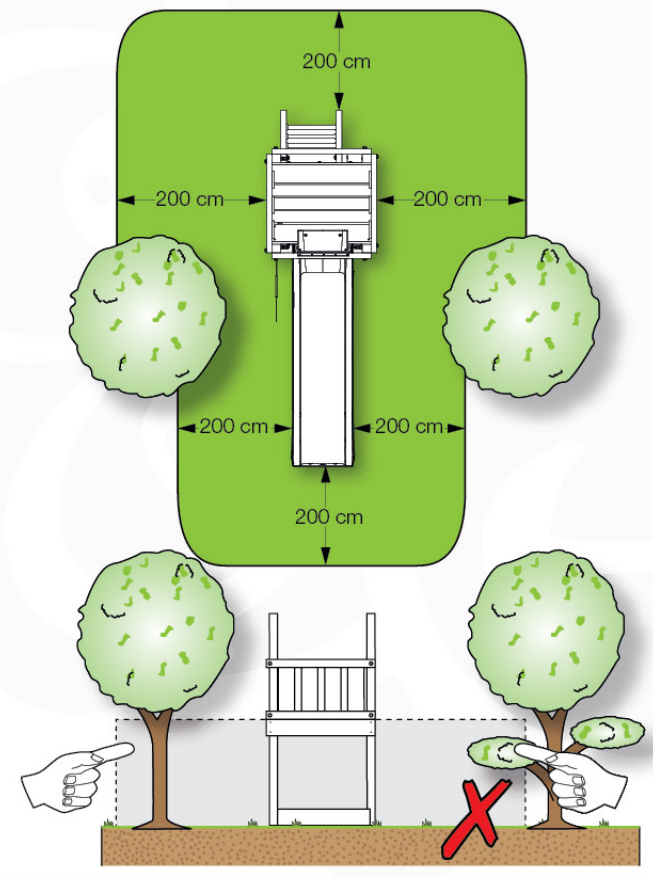
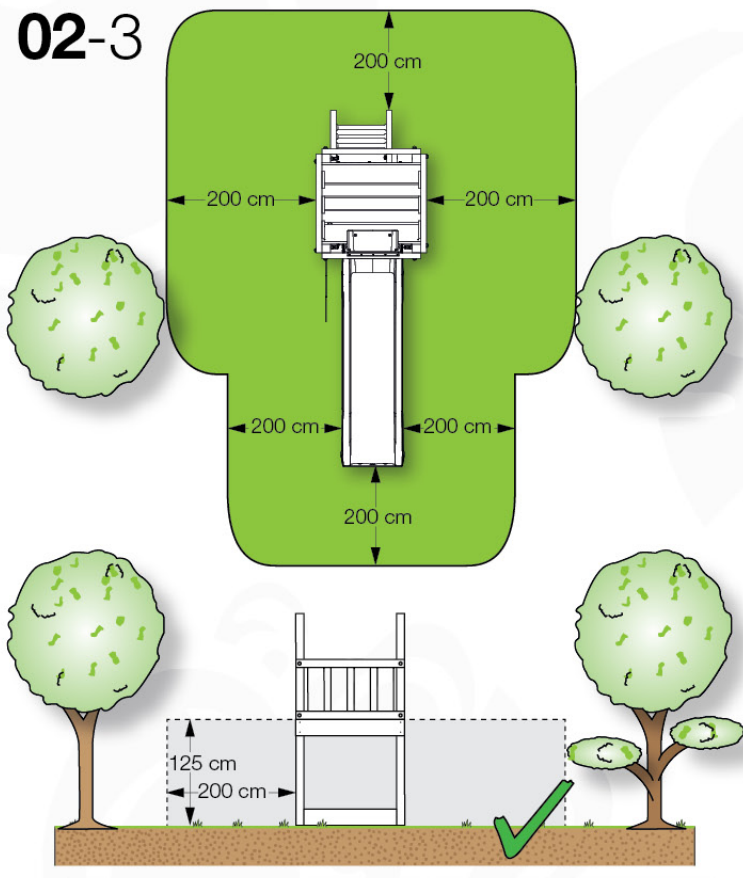
02-1



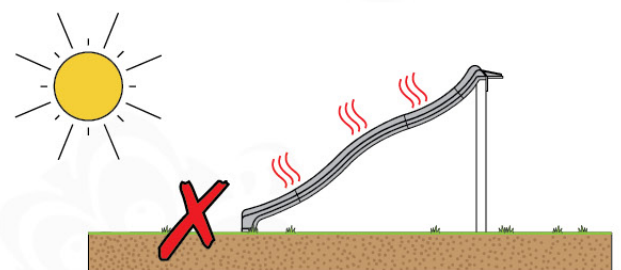
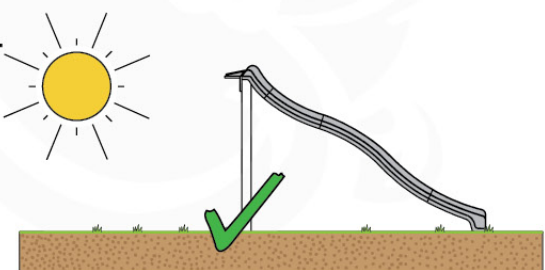
02-2



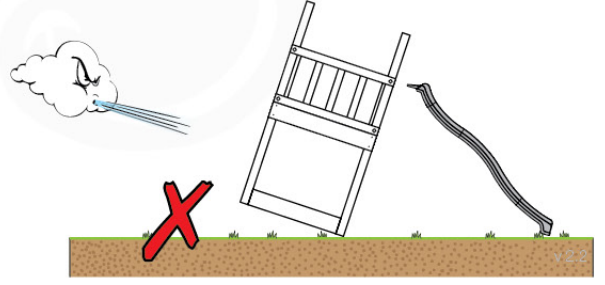
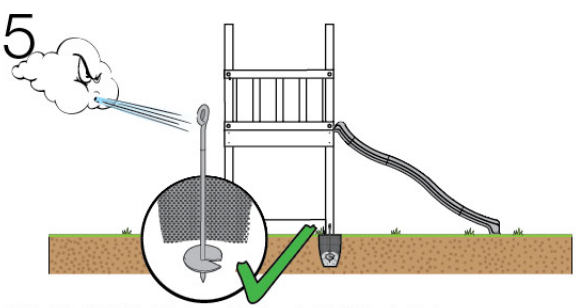
02-3



02-4



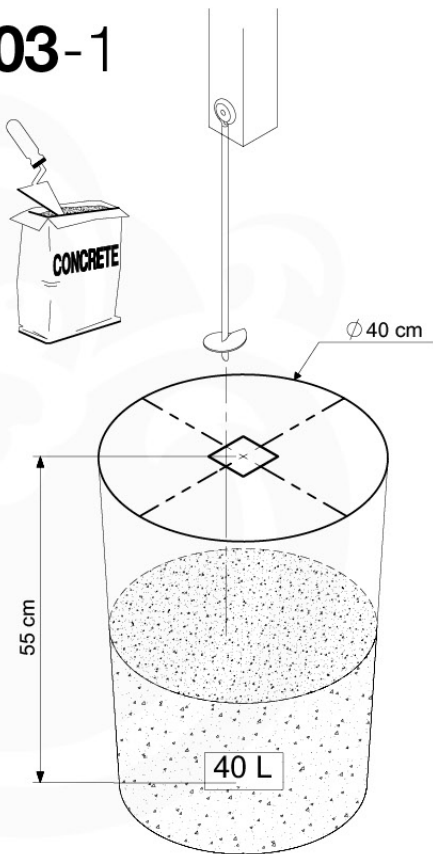
02-5



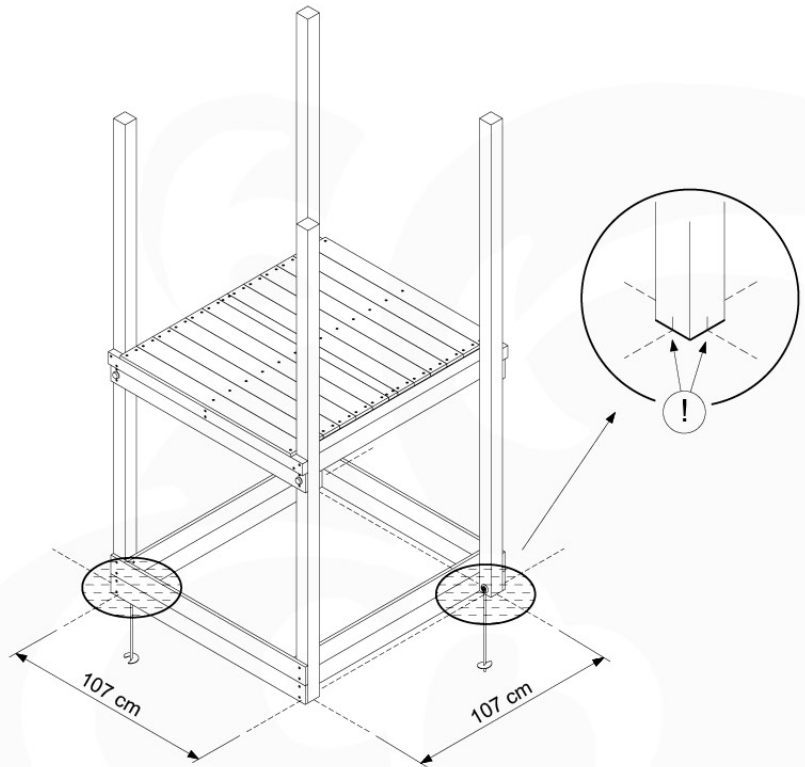
03 Playground Foundation

FD05

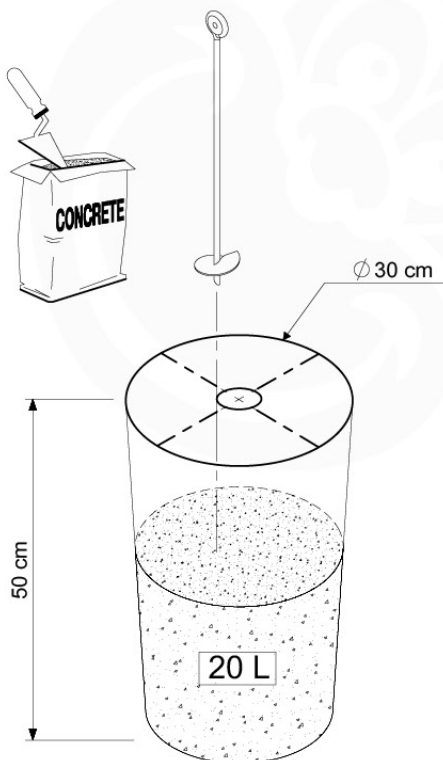
03-1



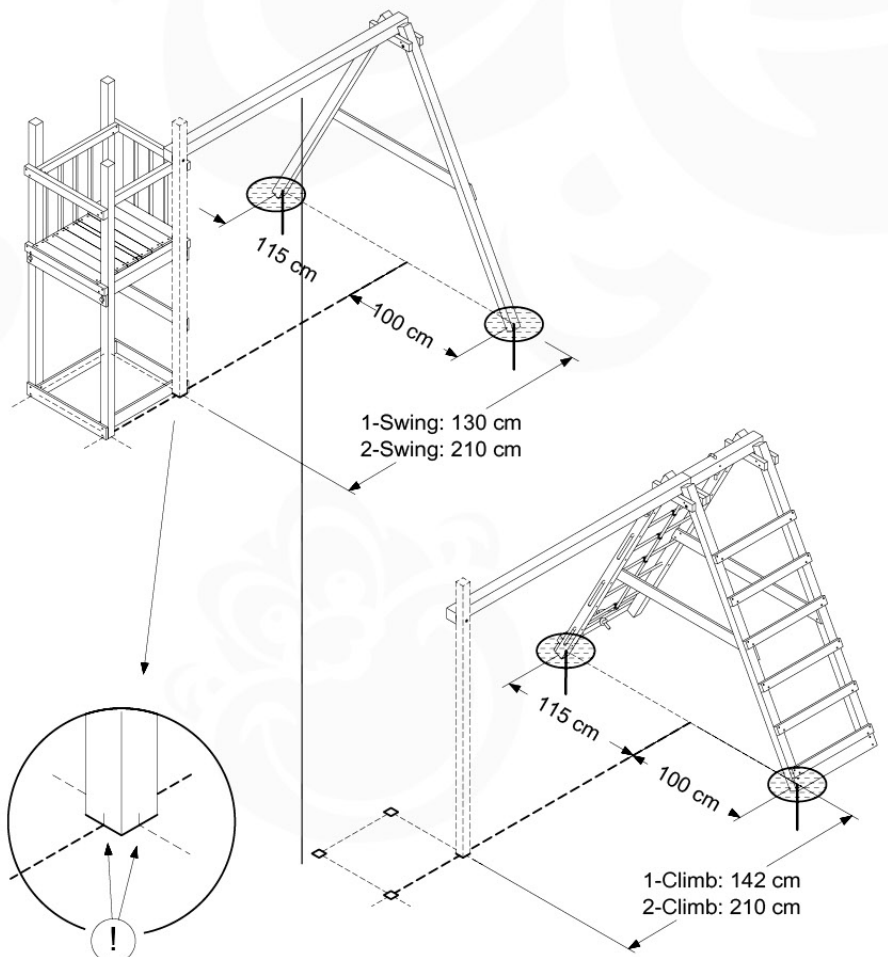
Foundation Plan - P07 - 27-11-2020 - v3



03-2



Foundation Plan - P06 - 27-11-2020 - v3

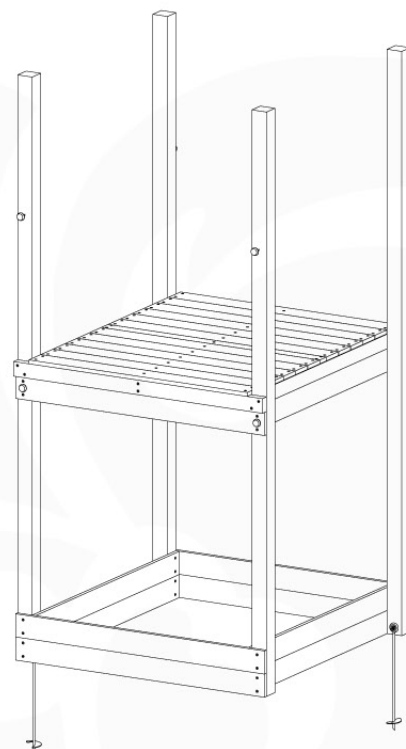


04 Base Tower

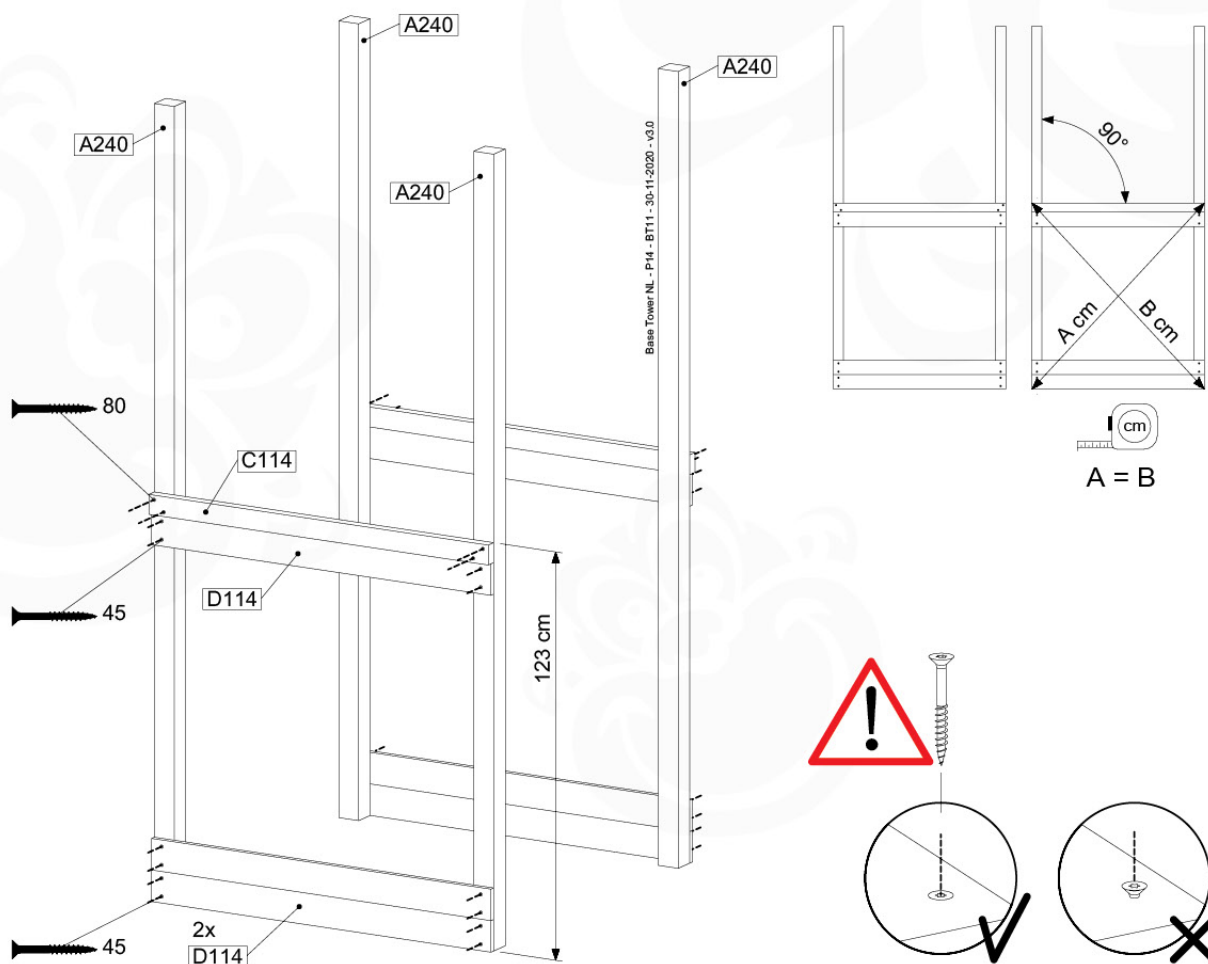
BT11

| | PartNo | PartName | QTY. |
|---------------|---------|----------------------------|-------|
| Hardware Pack | 001_406 | Stealth Screw 8x45 | 10 |
| | 002_220 | Gap Point Screw T25 - 5x45 | 118 |
| | 002_223 | Gap Point Screw T25 - 5x80 | 20 |
| Other | 007_001 | Ground-anchor | 2 |
| Hardware Pack | 022_31x | bpc-base version 3 | 8 |
| | 022_84x | bpc cover | 8 |
| Timber | A240 | Post 70x70 L2400 | 4 |
| | C114 | Beam 1140 mm | 5 |
| | D100 | Board 1000 mm | 11-14 |
| | D114 | Board 1140 mm | 12 |

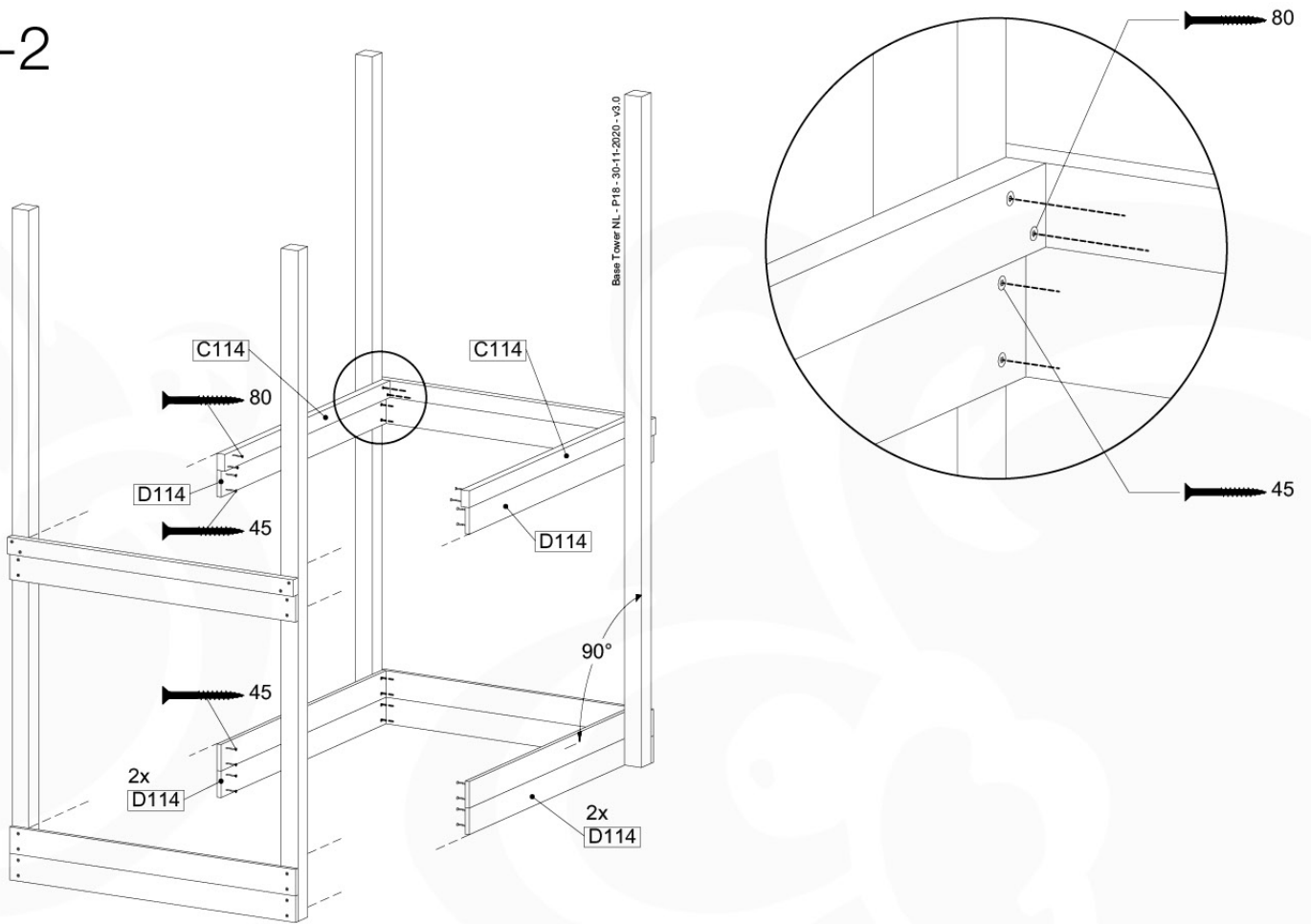
Base Tower NL - P06 - BT11 - 30-11-2020 - v3.0



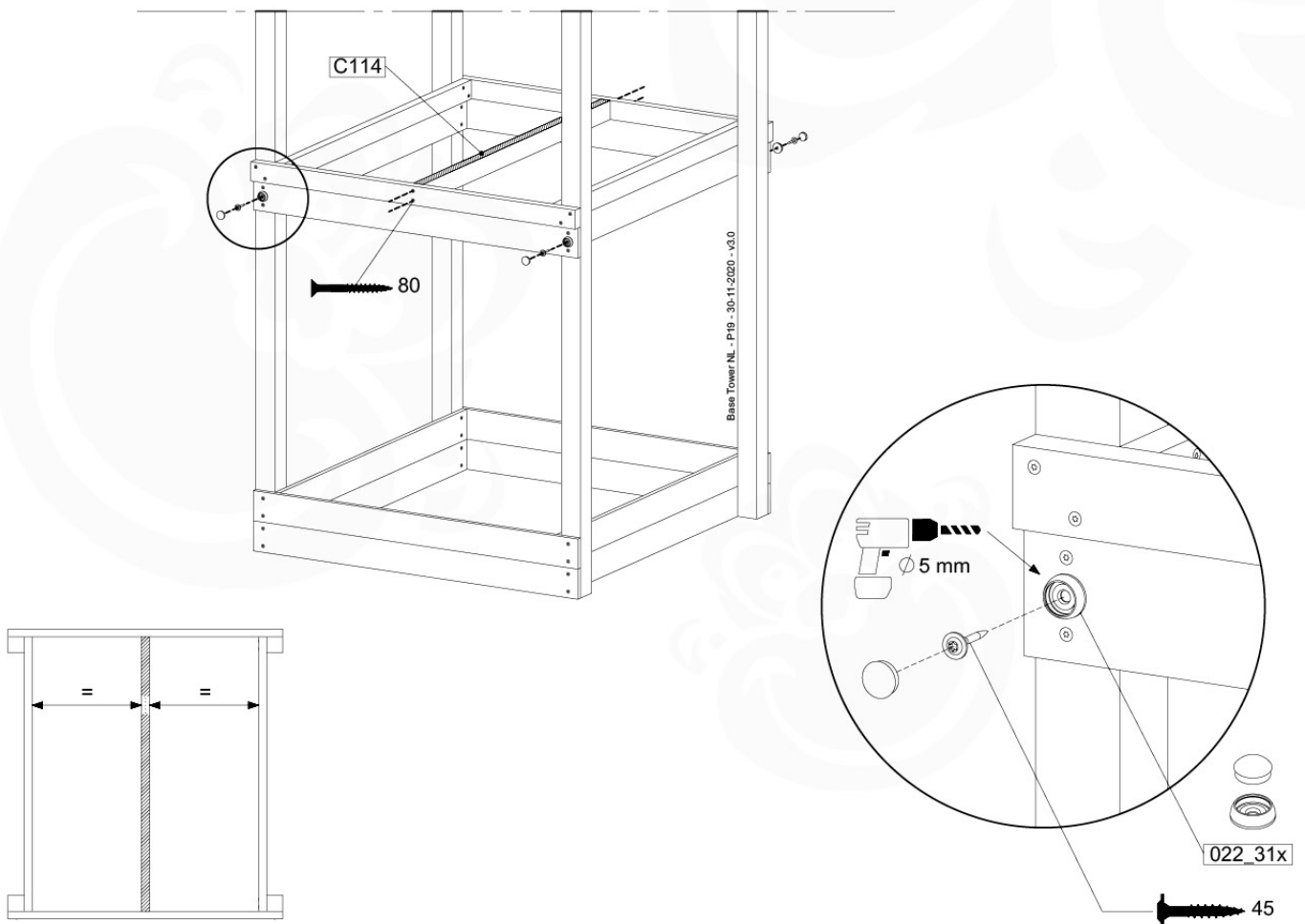
04-1



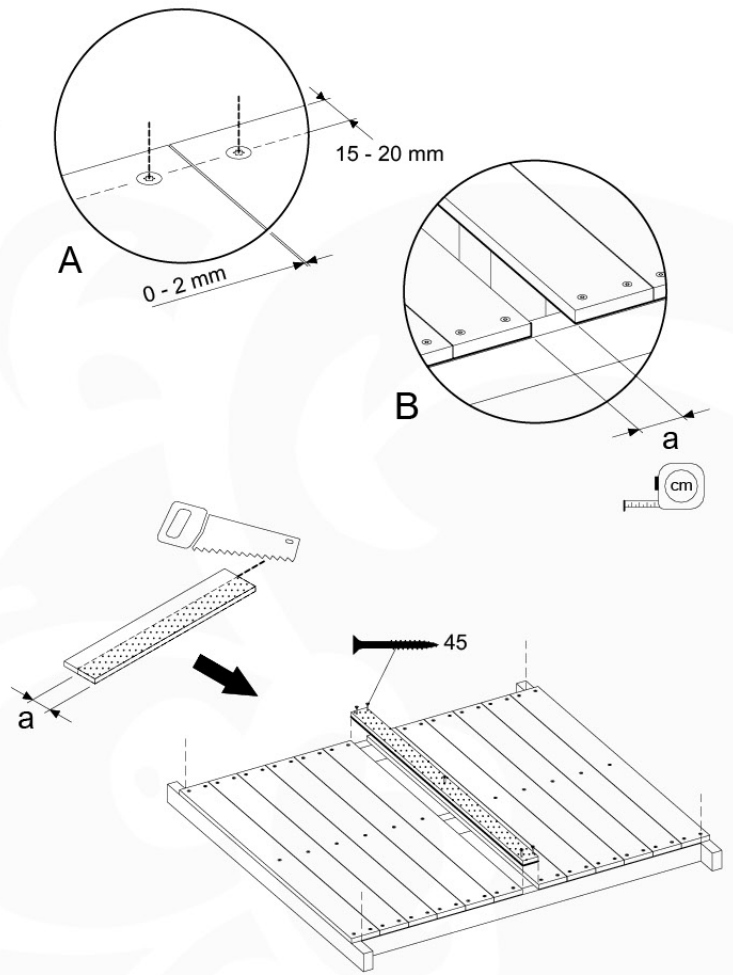
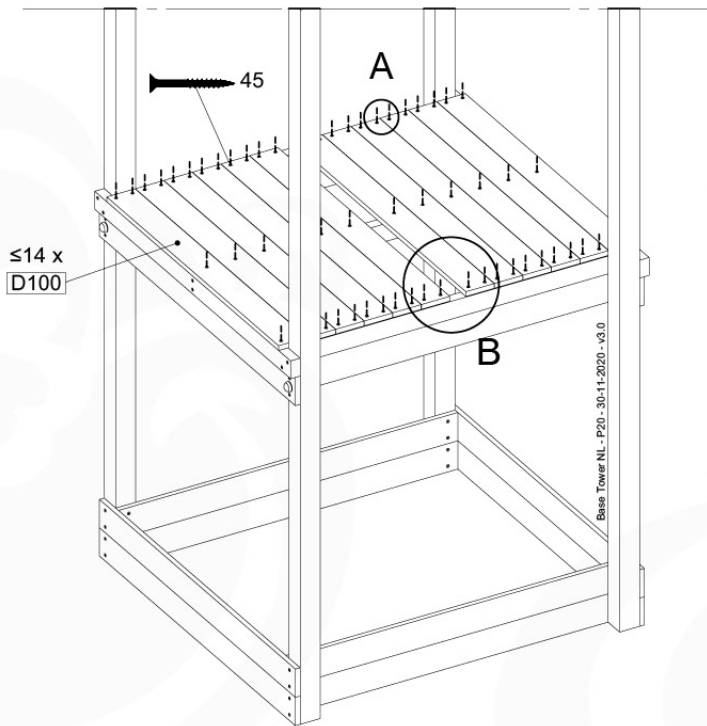
04-2



04-3

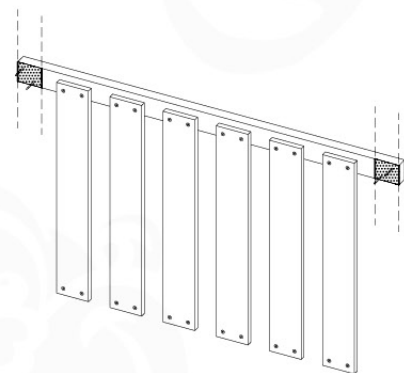


04-4



05 Balustrade (1x)

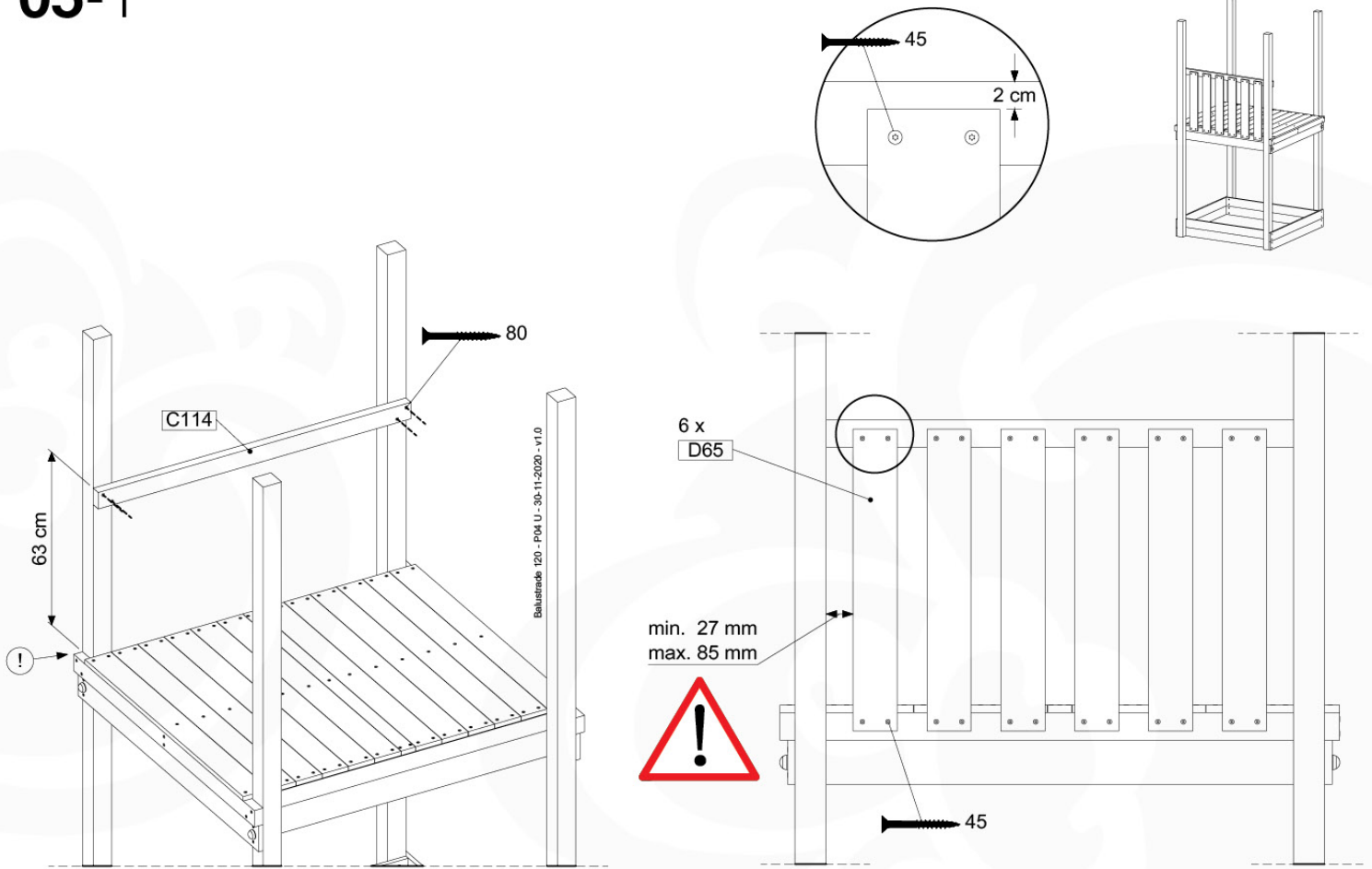
BL03



| | PartNo | PartName | QTY. |
|---------------|---------|----------------------------|------|
| Hardware Pack | 002_220 | Gap Point Screw T25 - 5x45 | 24 |
| | 002_223 | Gap Point Screw T25 - 5x80 | 4 |
| Timber | C114 | Beam 1140 mm | 1 |
| | D65 | Board 650 mm | 6 |

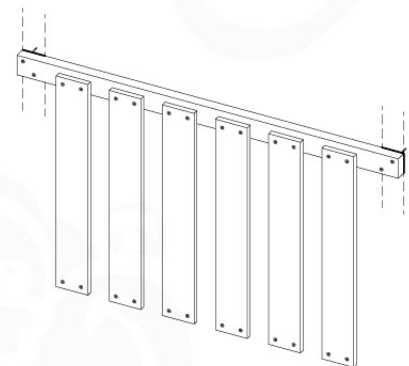
Balustrade 120 - P02 U - 30-11-2020 - v1.0

05-1



06 Balustrade (1x)

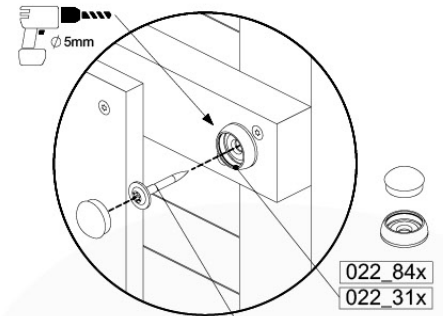
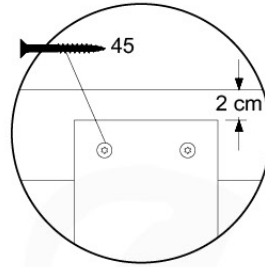
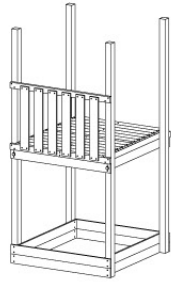
BL04



| | PartNo | PartName | QTY. |
|---------------|---------|----------------------------|------|
| Hardware Pack | 002_220 | Gap Point Screw T25 - 5x45 | 24 |
| | 002_223 | Gap Point Screw T25 - 5x80 | 4 |
| Timber | C114 | Beam 1140 mm | 1 |
| | D65 | Board 650 mm | 6 |

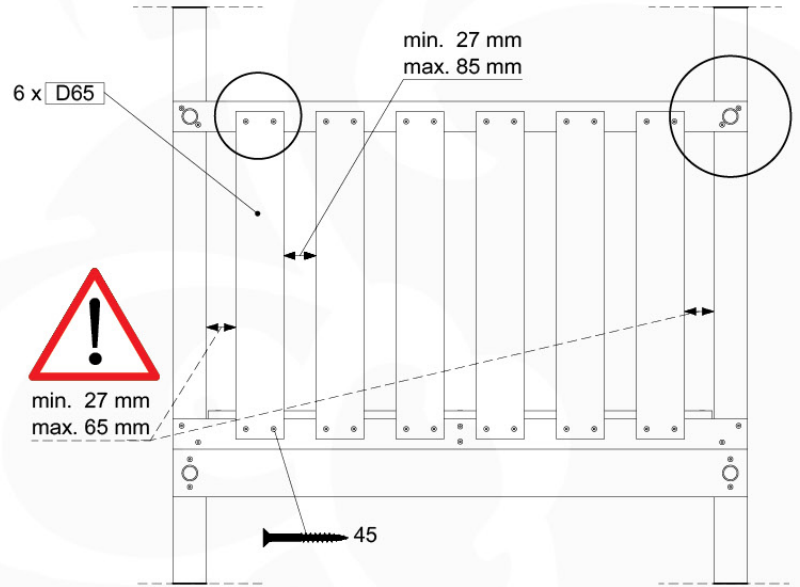
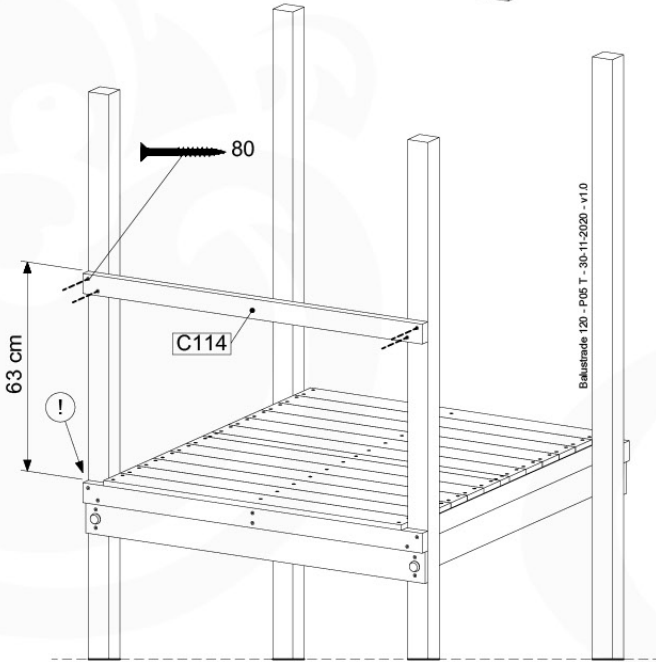
Balustrade 120 - P04 U - 30-11-2020 - v1.0

06-1



022_84x
022_31x

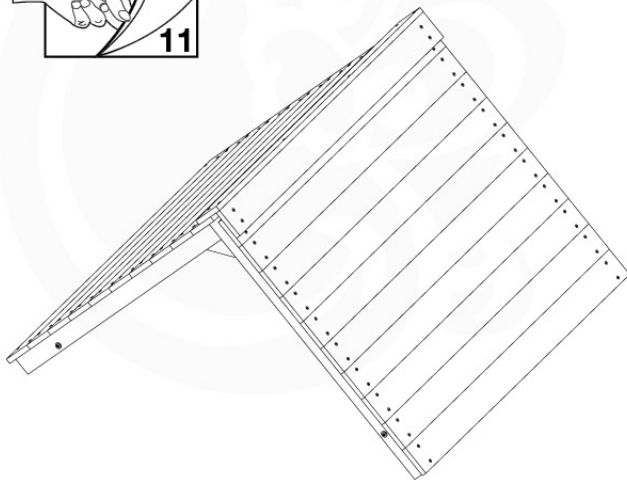
HARDWARE PACK TOWER → 45



07 Roof

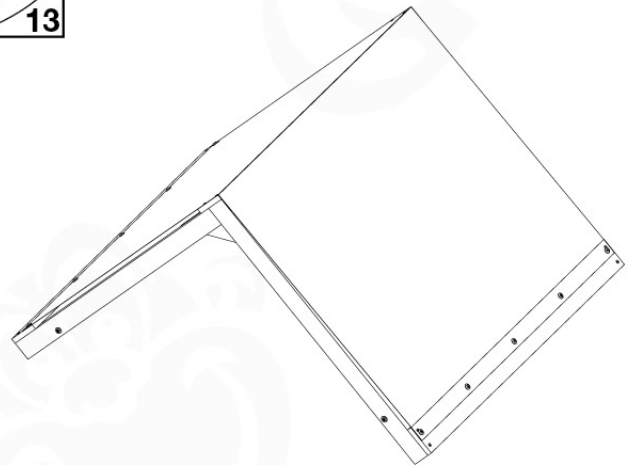
Club

08



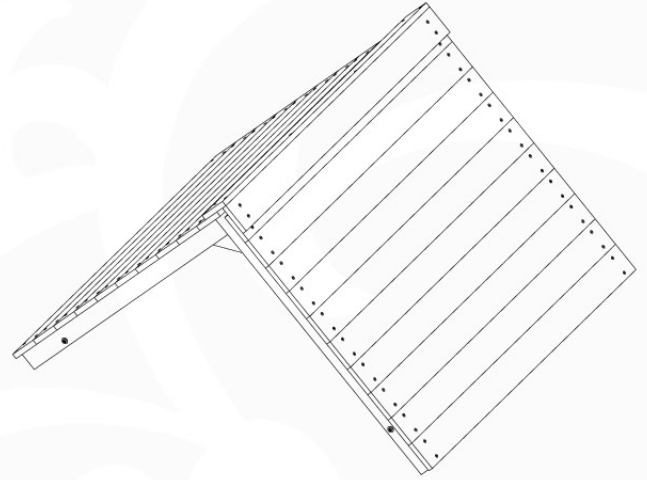
Castle

09



08 Roof Club

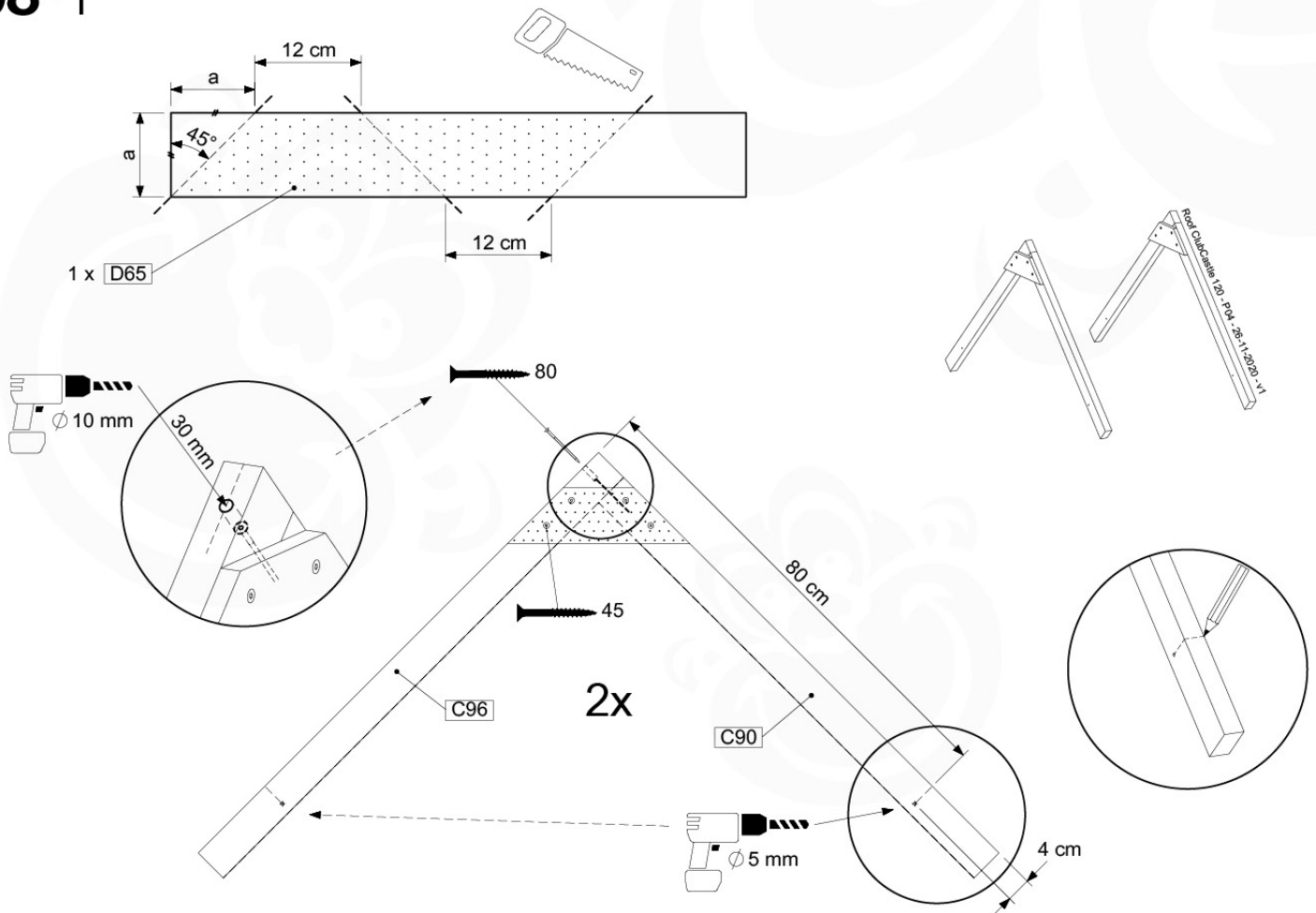
RF08



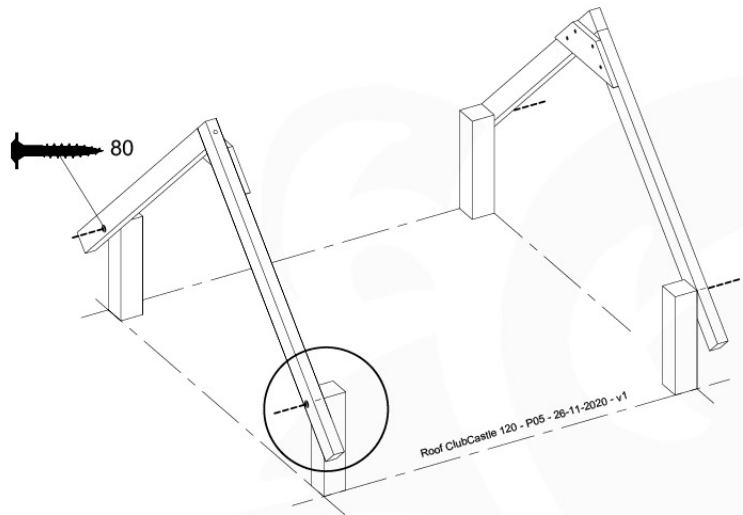
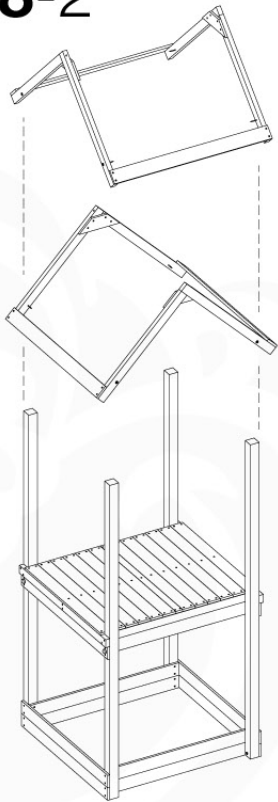
| | PartNo | PartName | QTY. |
|---------------|---------|----------------------------|-------|
| Hardware Pack | 001_417 | Stealth Screw 8x80 | 4 |
| | 002_220 | Gap Point Screw T25 - 5x45 | 100 |
| | 002_223 | Gap Point Screw T25 - 5x80 | 8 |
| Timber | C90 | Beam 900 mm | 2 |
| | C96 | Beam L=(900+beamheight) mm | 2 |
| | D65 | Board 650 mm | 1 |
| | D127 | Board 1270 mm | 18-24 |

Roof Club/Castle 120 - P03 - RF08 - 26-11-2020 - v1

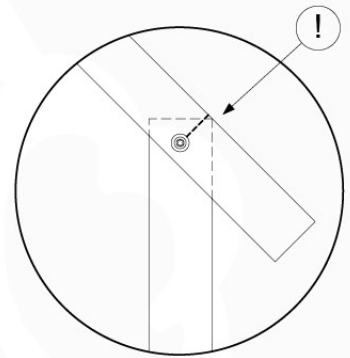
08-1



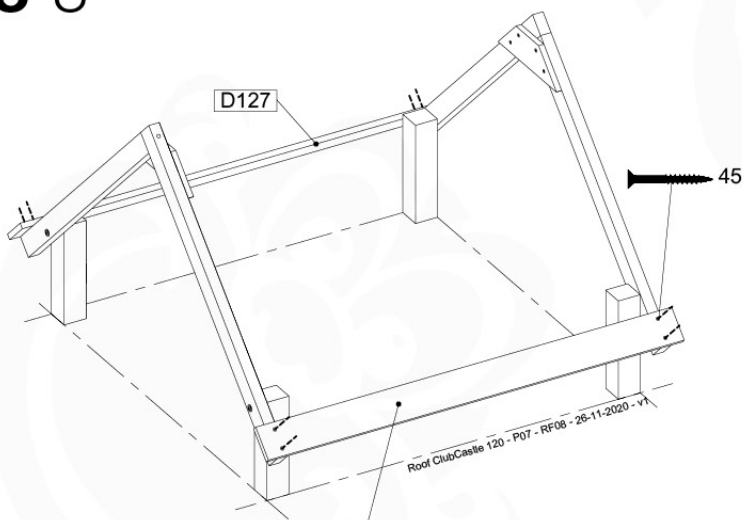
08-2



Roof ClubCastle 120 - P05 - 26-11-2020 - v1



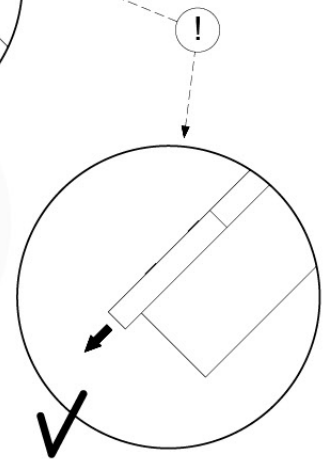
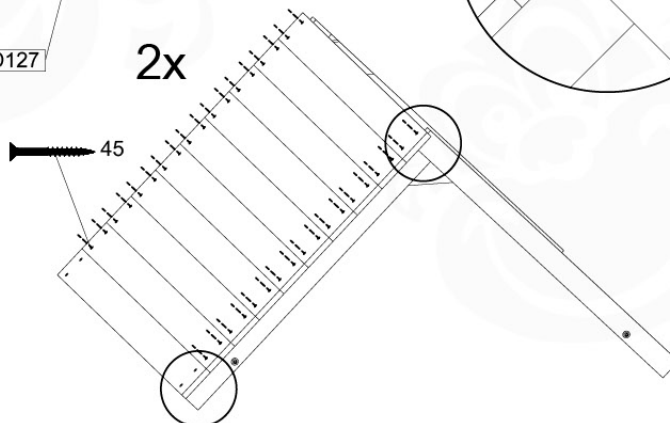
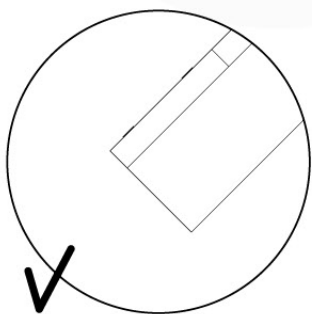
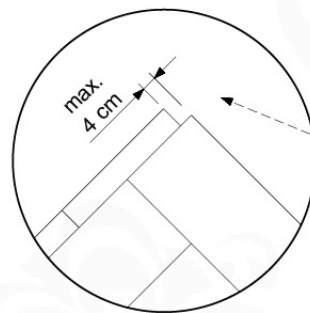
08-3



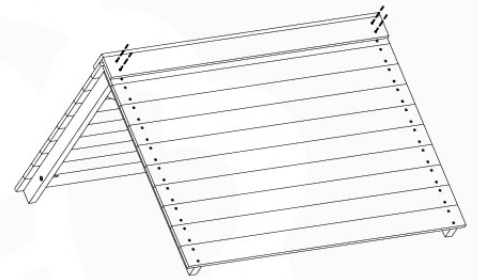
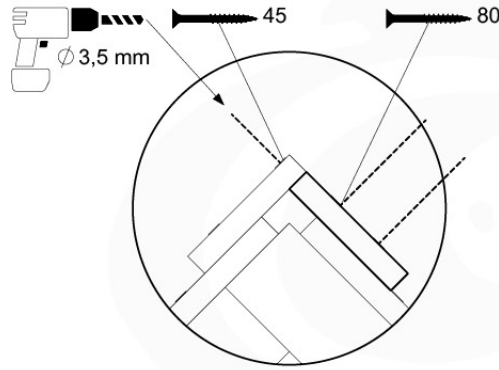
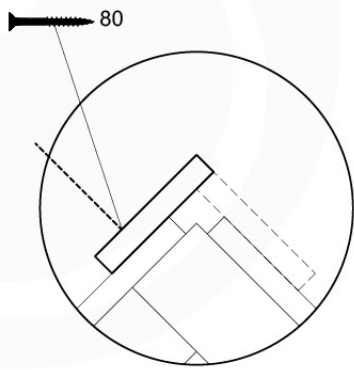
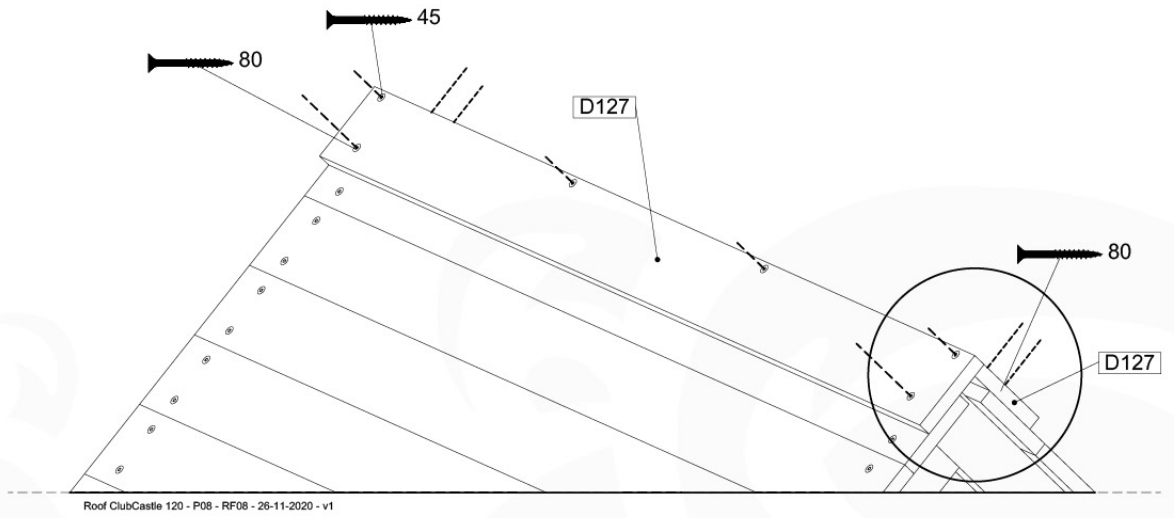
Roof ClubCastle 120 - P07 - RF06 - 26-11-2020 - v1

≤ 11 x D127

2x



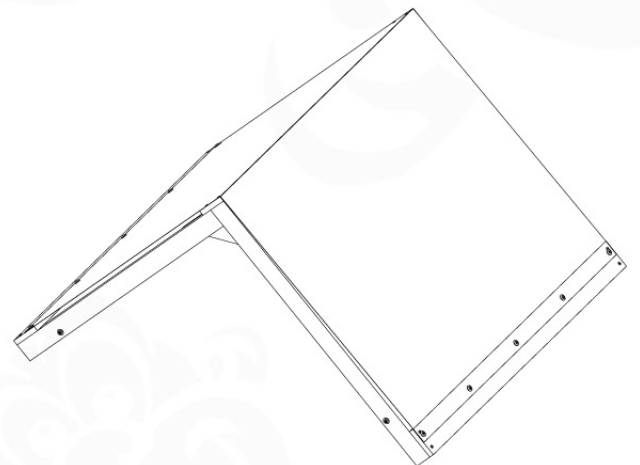
08-4



09 Roof Castle

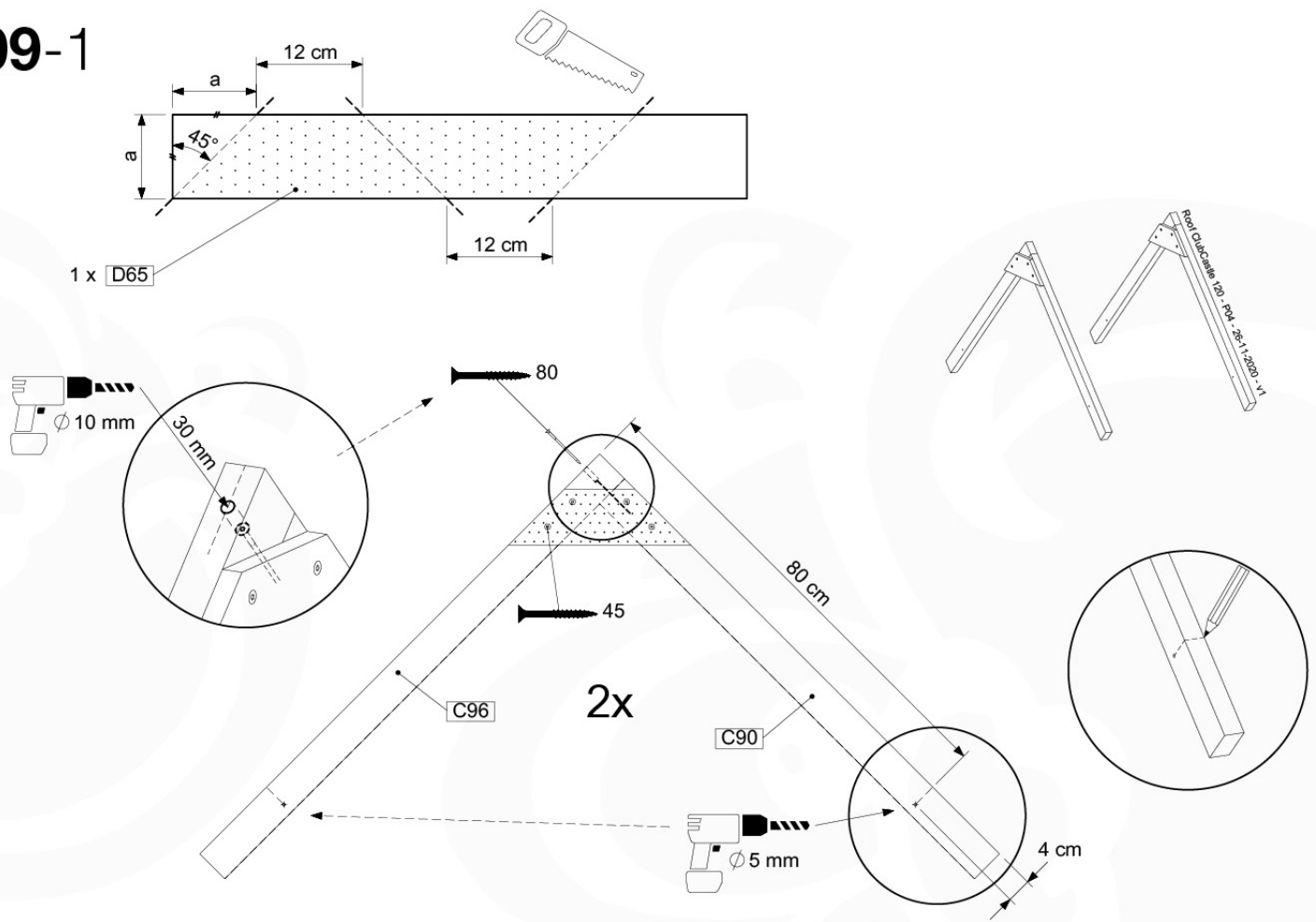
RF07

| | PartNo | PartName | QTY. |
|---------------|---------|---------------------------------------|------|
| Hardware Pack | 001_417 | Stealth Screw 8x80 | 4 |
| | 002_220 | Gap Point Screw T25 - 5x45 | 20 |
| | 002_223 | Gap Point Screw T25 - 5x80 | 2 |
| | 002_308 | Gap Point Screw T25 - 5x20 | 10 |
| | 023_031 | Finishing Washer GPS 5.0 | 10 |
| Other | 123_222 | Sheet Canvas Navigator Line 1200x1850 | 1 |
| Timber | C90 | Beam 900 mm | 2 |
| | C96 | Beam L=(900+beamheight) mm | 2 |
| | D65 | Board 650 mm | 1 |
| | D120 | Board 1200 mm | 3 |

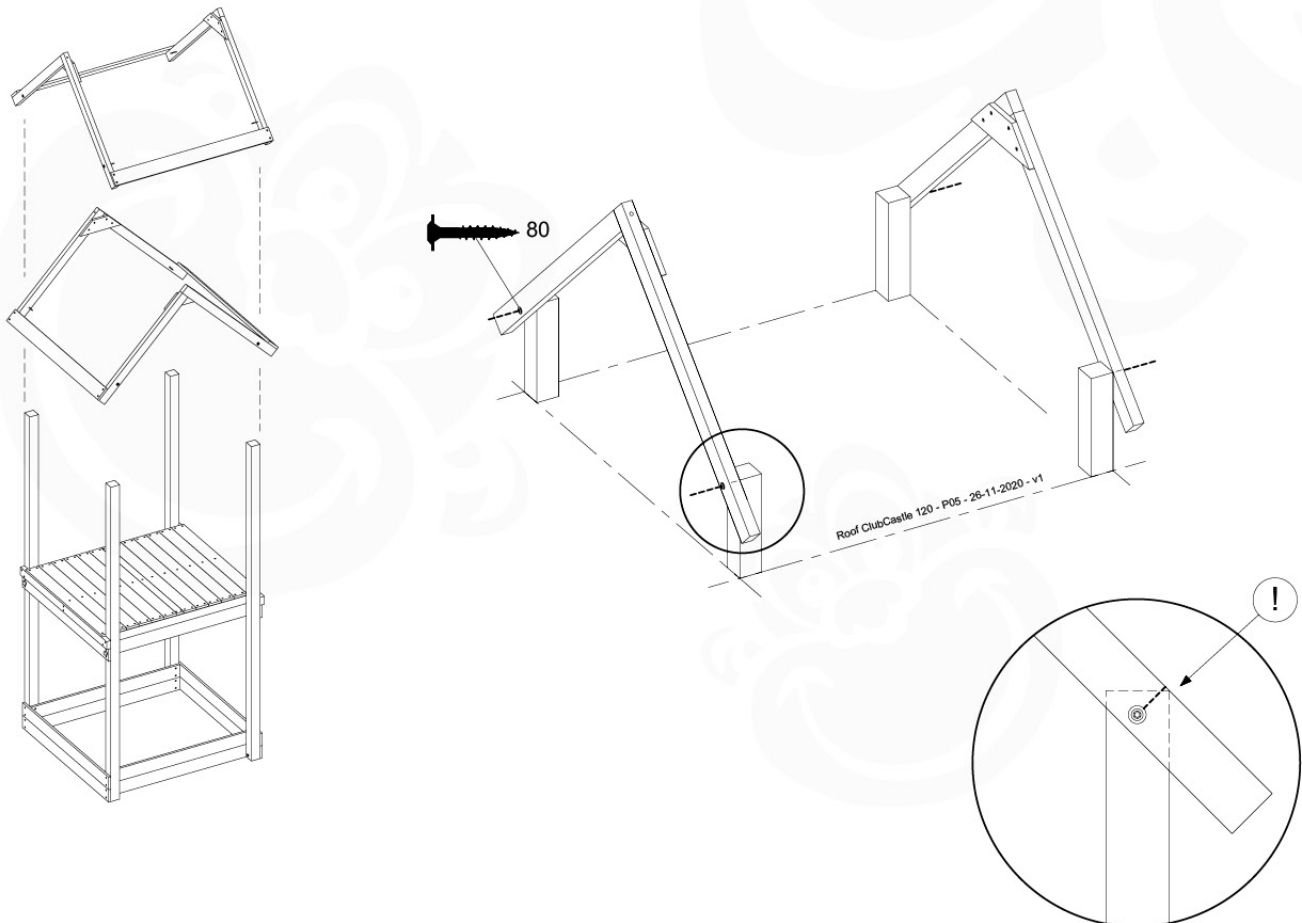


Roof ClubCastle 120 - P02 - RF07 - 26-11-2020 - v1

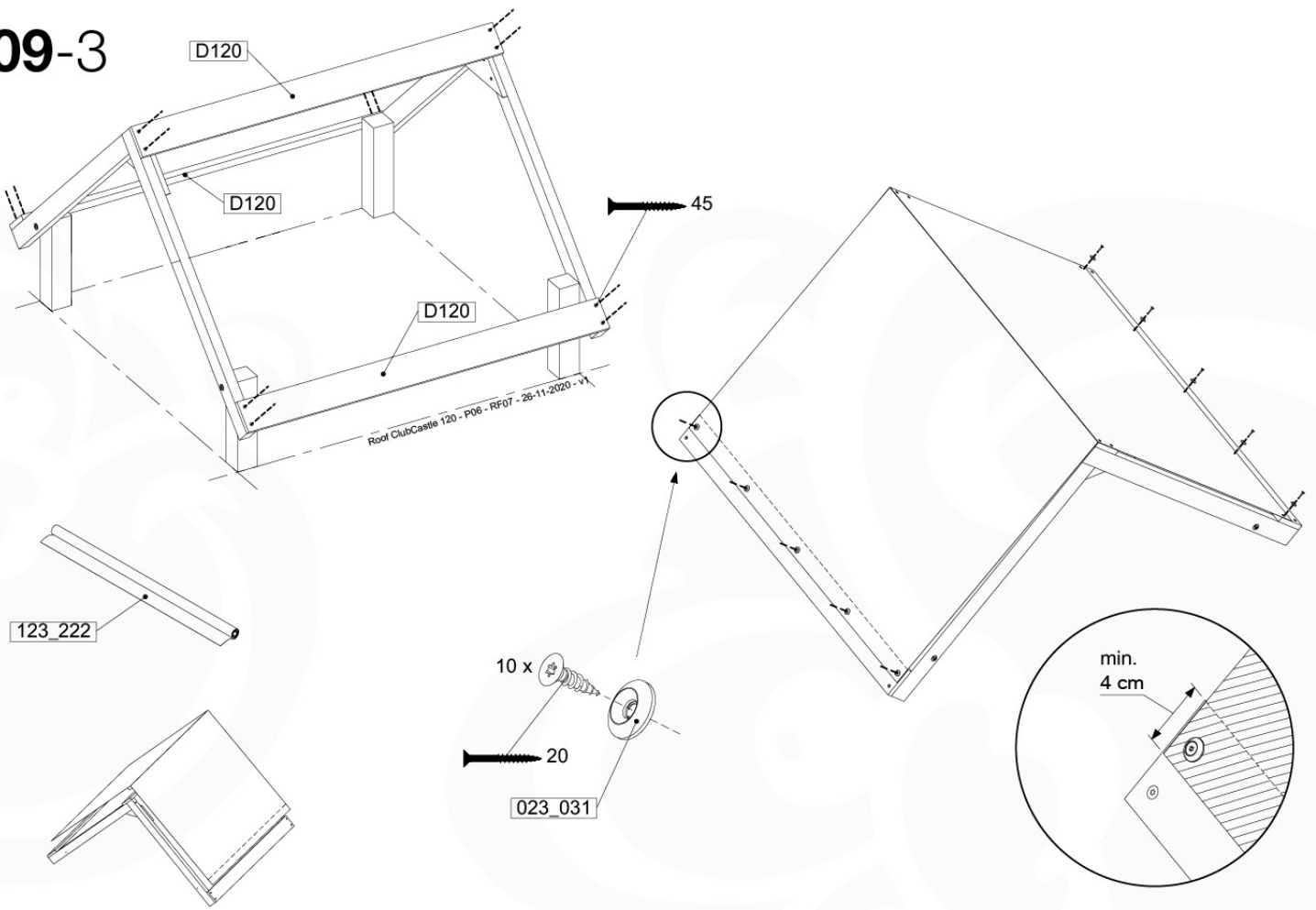
09-1



09-2



09-3

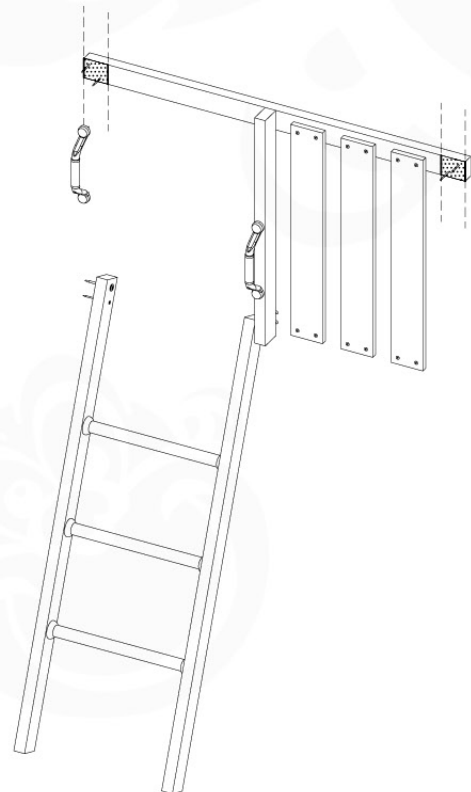


10 Ladder

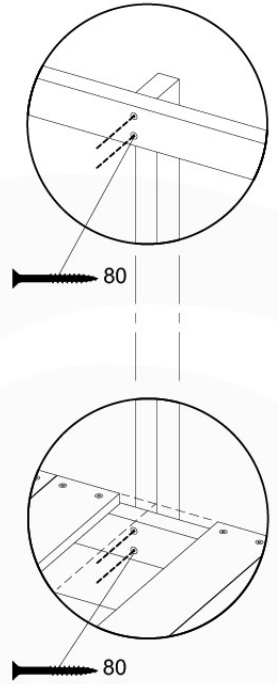
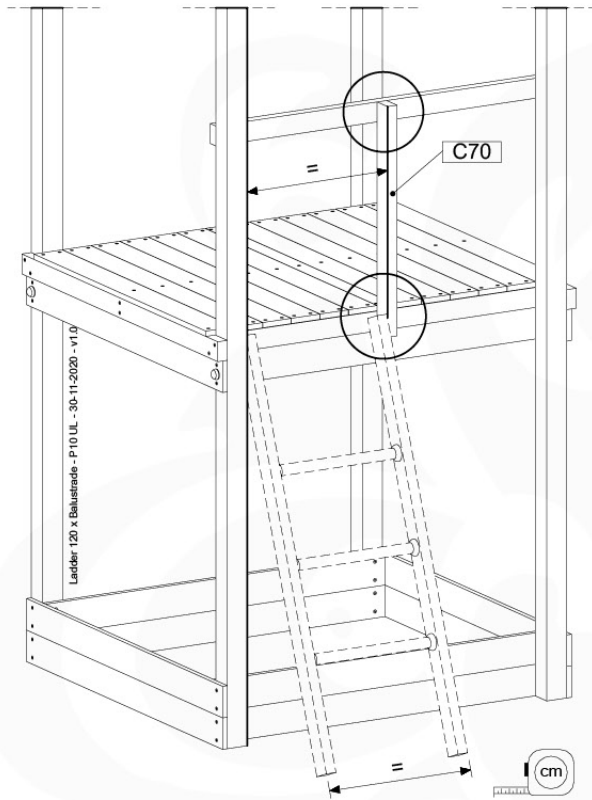
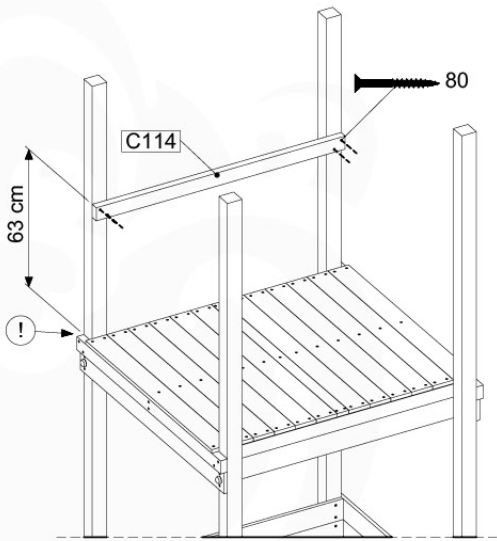
LA11

| | PartNo | PartName | QTY. |
|---------------|---------|----------------------------|------|
| Hardware Pack | 001_411 | Stealth Screw 8x60 | 2 |
| | 001_417 | Stealth Screw 8x80 | 1 |
| | 002_220 | Gap Point Screw T25 - 5x45 | 22 |
| | 002_223 | Gap Point Screw T25 - 5x80 | 9 |
| Other | 005_03x | Ladder Rung Y/B/G/R | 3 |
| | 022_835 | Rung Cap | 6 |
| | 120_102 | Handgrip set (complete 2x) | 1 |
| Timber | C70 | Beam 700 mm | 1 |
| | C114 | Beam 1140 mm | 1 |
| | C130 | Beam 1300 mm | 2 |
| | D65 | Board 650 mm | 3 |

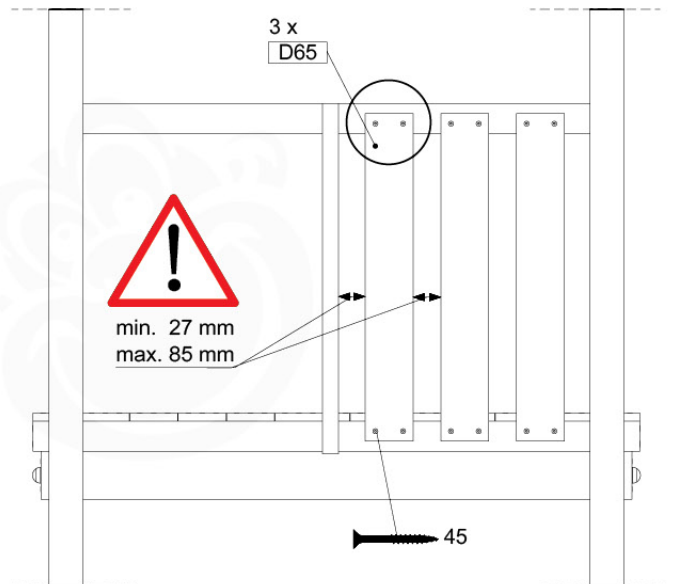
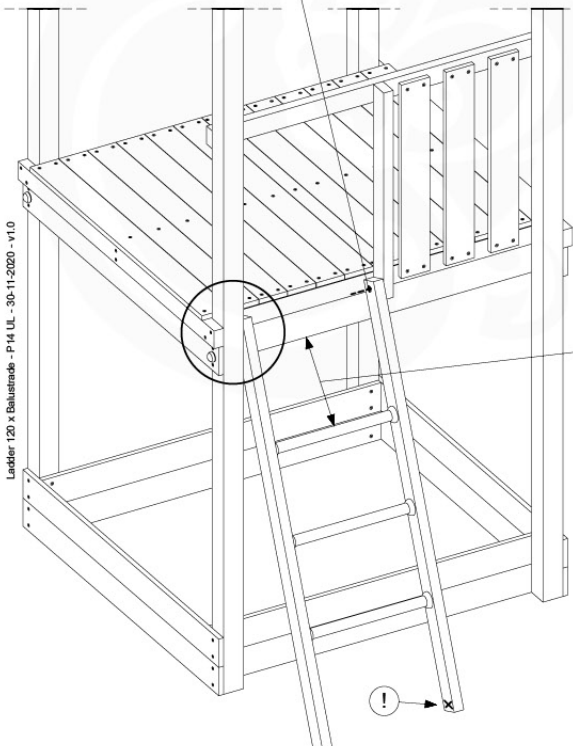
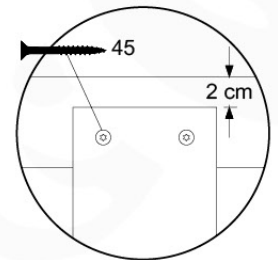
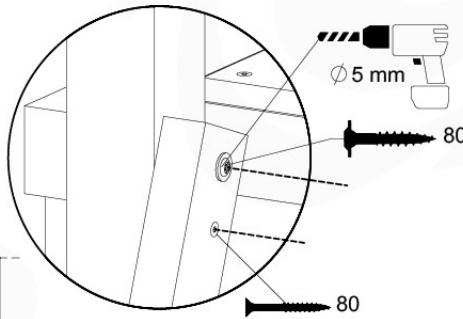
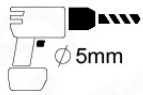
Ladder 120x Bakstrade - P02 UL - 30-11-2020 - v1.0



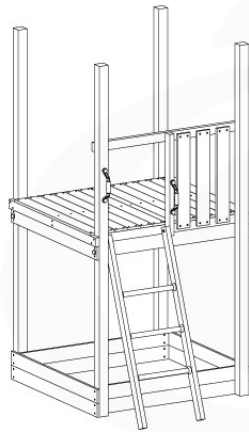
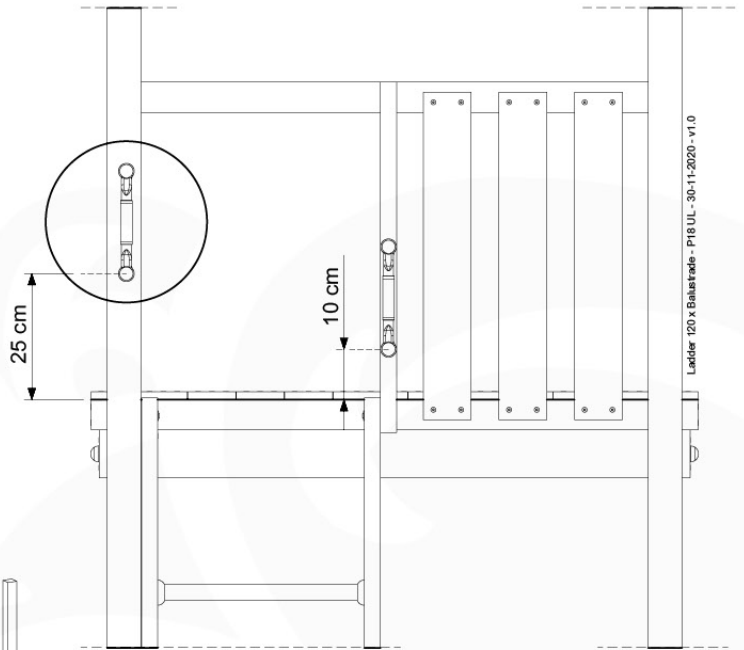
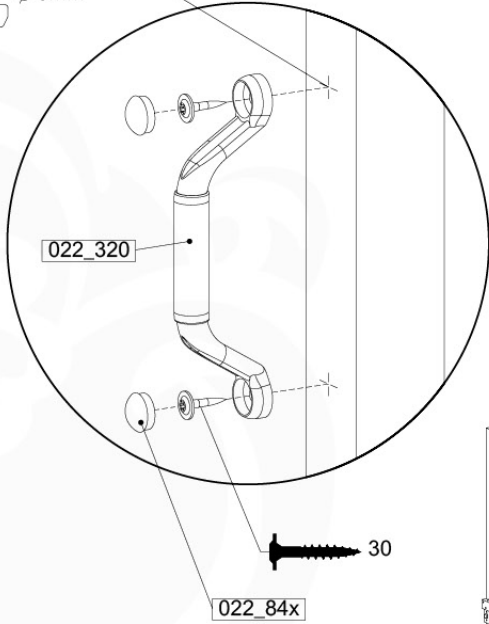
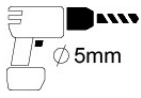
10-3



10-4



10-5



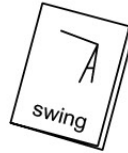
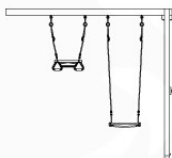
11 Swing Frame / Climb Frame



12



+

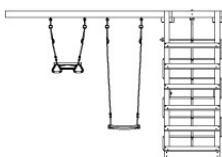


12

1-Swing frame / 2-Swing frame
457_101
457_102



+



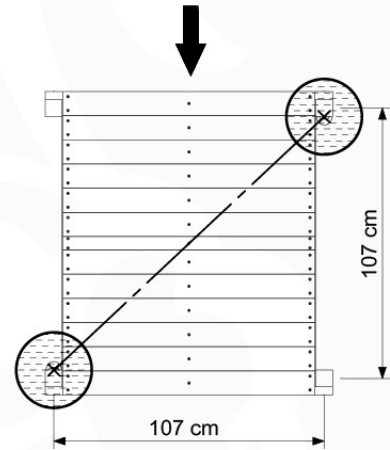
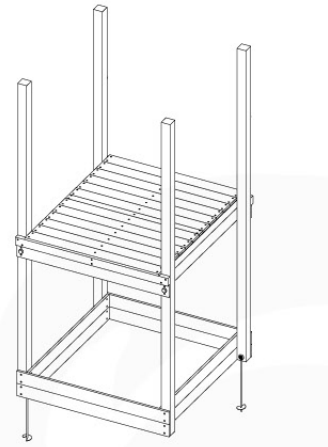
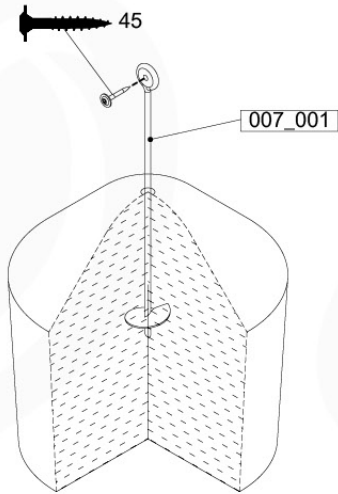
12

1-Climb frame / 2-Climb frame
457_105
457_106

12 Ground Anchors

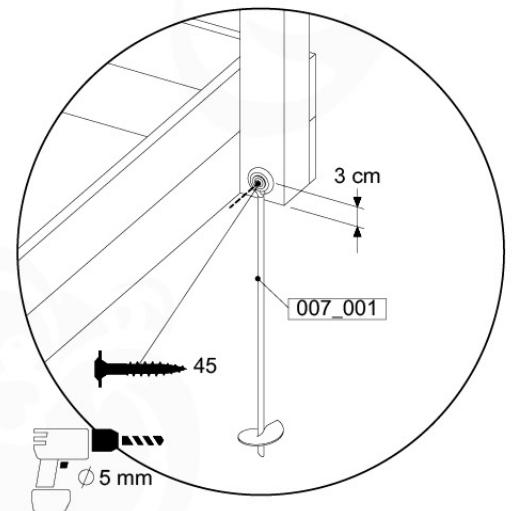
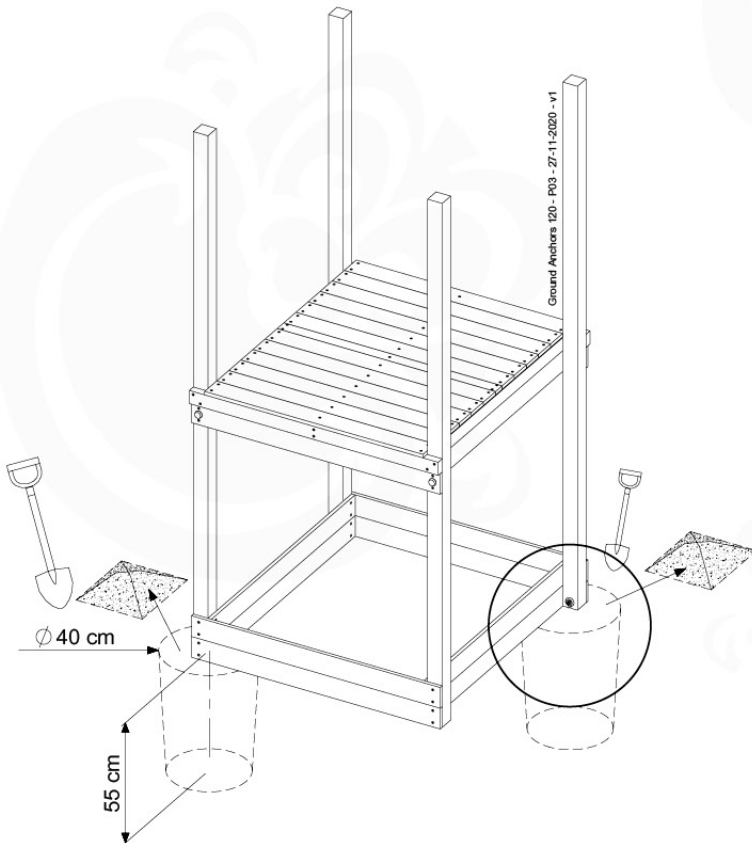
GA05

Parts:
Hardware Package Tower →



Ground Anchors 120 - P02 - 27-11-2020 - v1

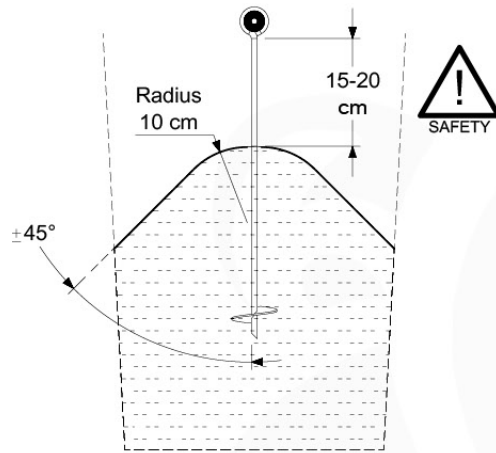
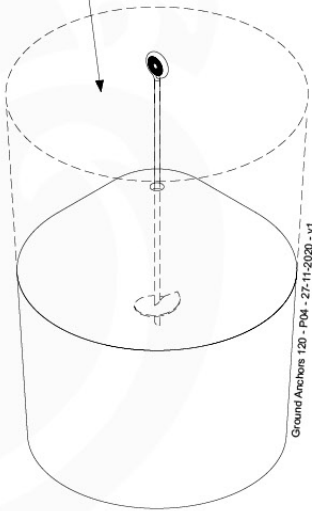
12-1



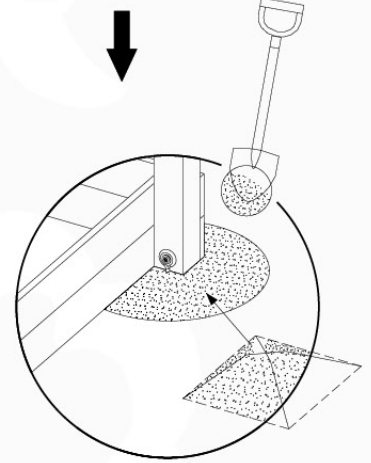
12-2



40 L / 80 kg



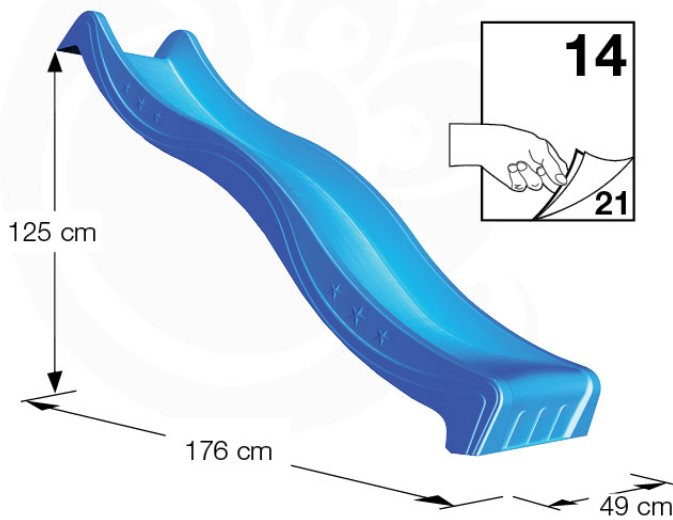
24h



13 Add-on

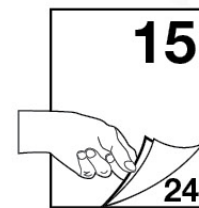
Wavy Star Slide XL

- 324_100 Yellow
- 324_200 Blue
- 324_300 Green
- 324_400 Red
- 324_500 Fuchsia
- 324_600 Dark Green



Fireman's Pole

201_275

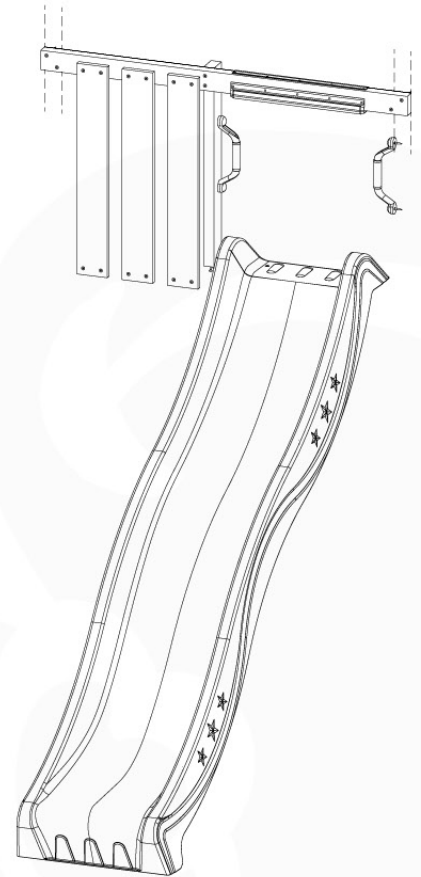


14 Slide Set

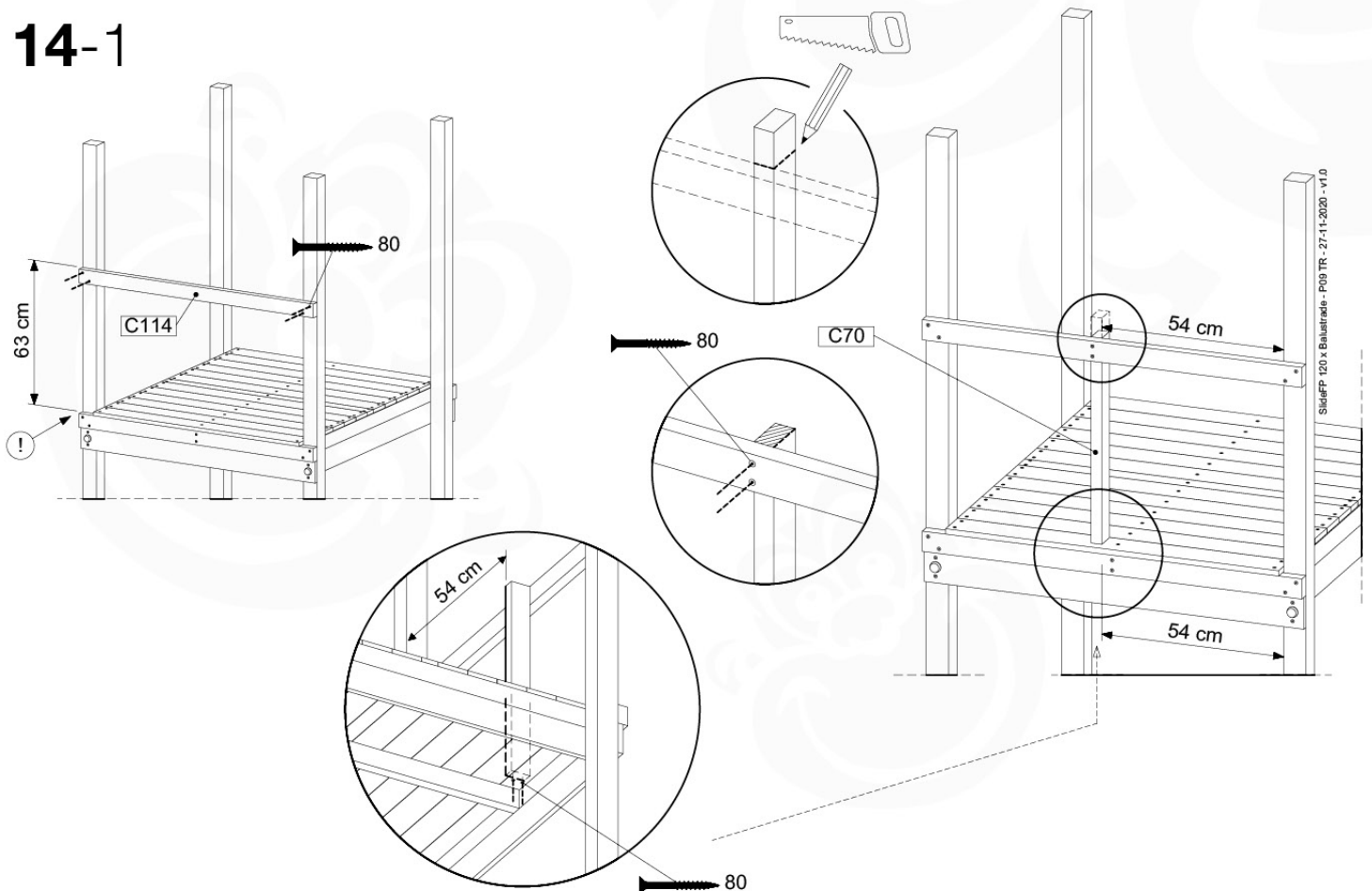
SL09

| | PartNo | PartName | QTY. |
|---------------|--------------------|---|------|
| Hardware Pack | 000_101 | Nail Pan Head | 10 |
| | 002_220 | Gap Point Screw T25 - 5x45 | 16 |
| | 002_223 | Gap Point Screw T25 - 5x80 | 8 |
| | 002_308 | Gap Point Screw T25 - 5x20 | 2 |
| Other | 120_102 | Handgrip set (complete 2x) | 1 |
| | 123_200 | Bumperpad | 1 |
| | 324_xxx 334_xxx | Wavy Star Slide XL 2200 mm / Wavy Star Slide XXL 2650 mm | 1 |
| Timber | C70 | Beam 700 mm | 1 |
| | C114 | Beam 1140 mm | 1 |
| | D65 | Board 650 mm | 3 |

SlideFP 120 x Balustrade - P09 TR - 27-11-2020 - v1.0

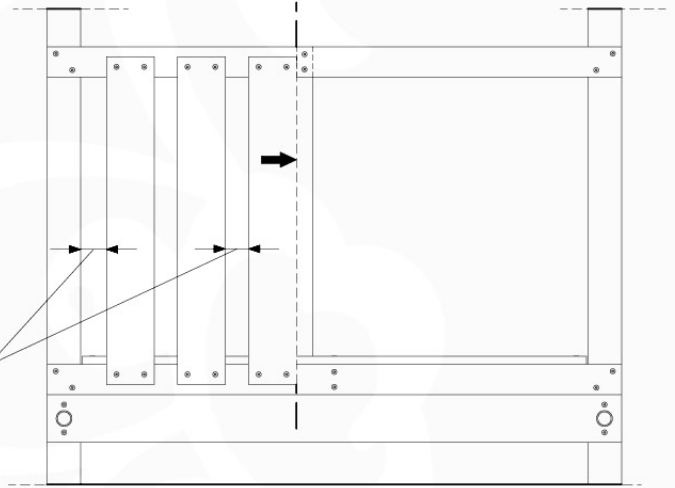
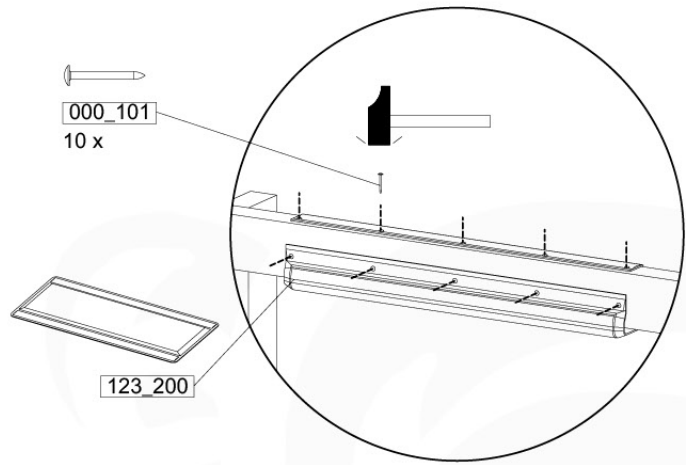
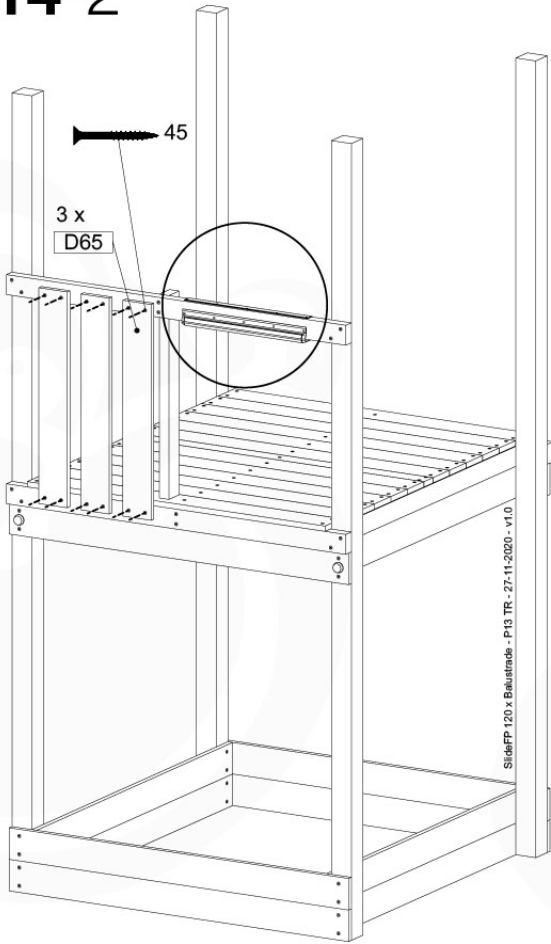


14-1

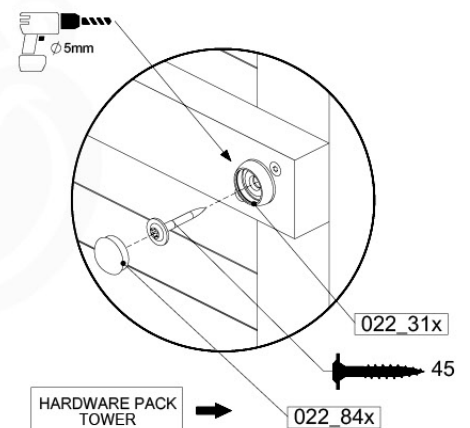
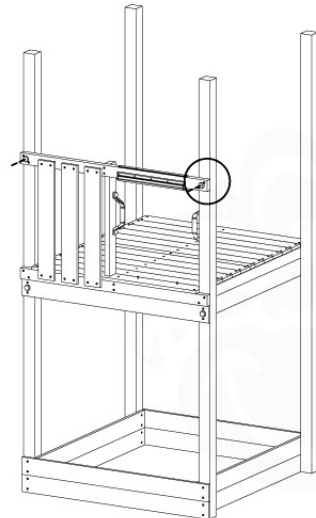
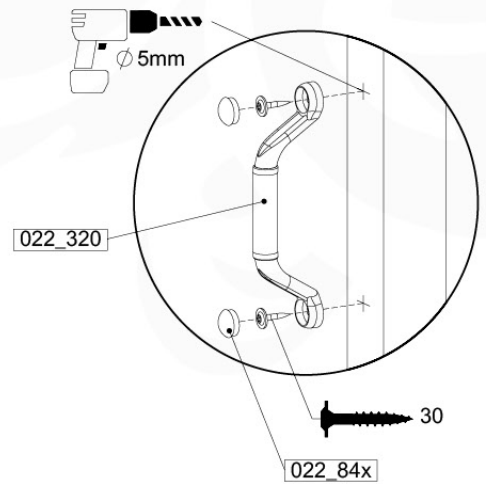
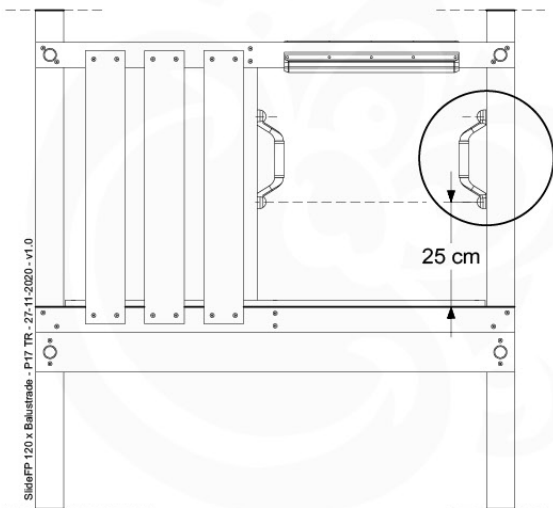


SlideFP 120 x Balustrade - P09 TR - 27-11-2020 - v1.0

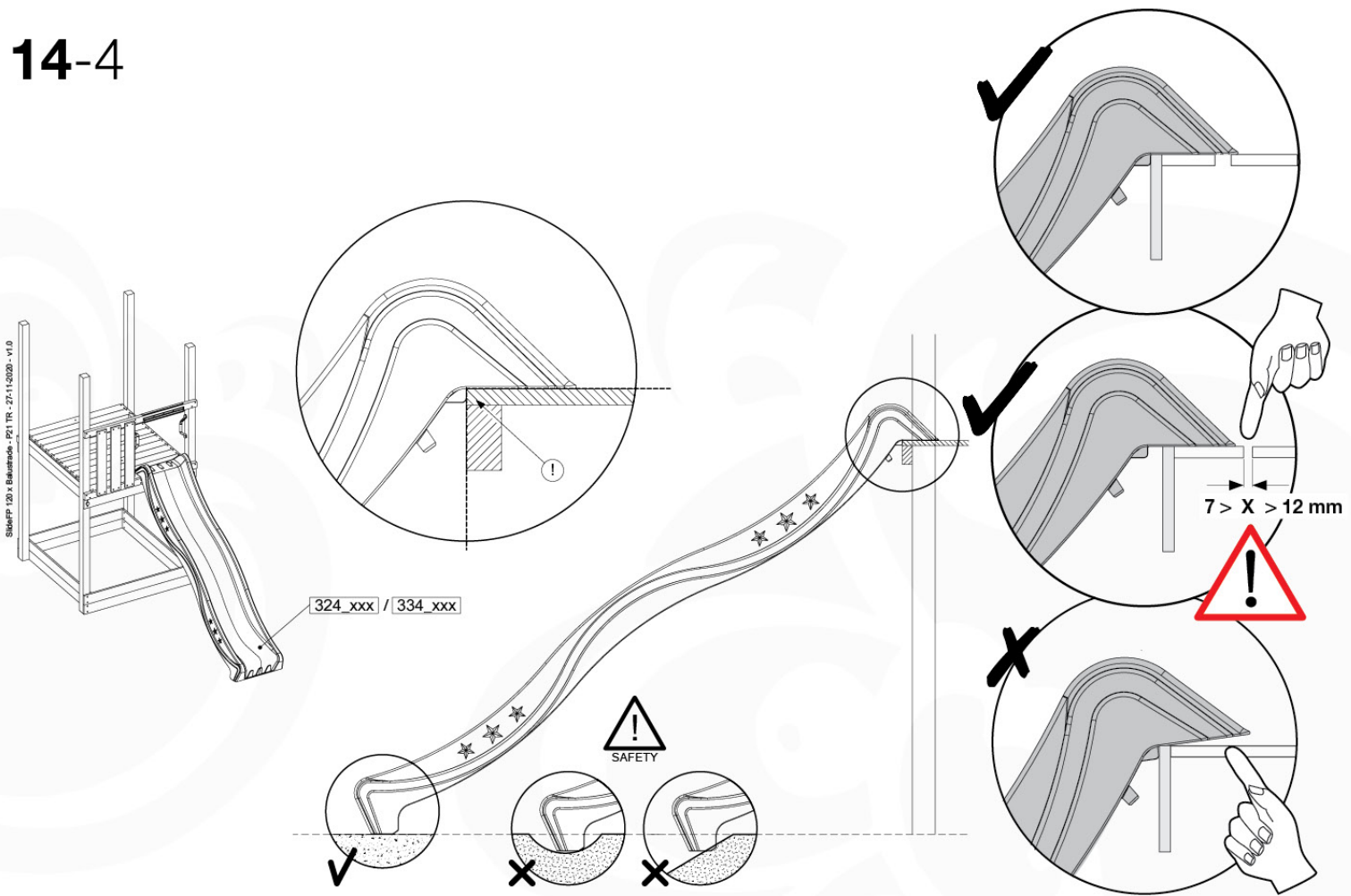
14-2



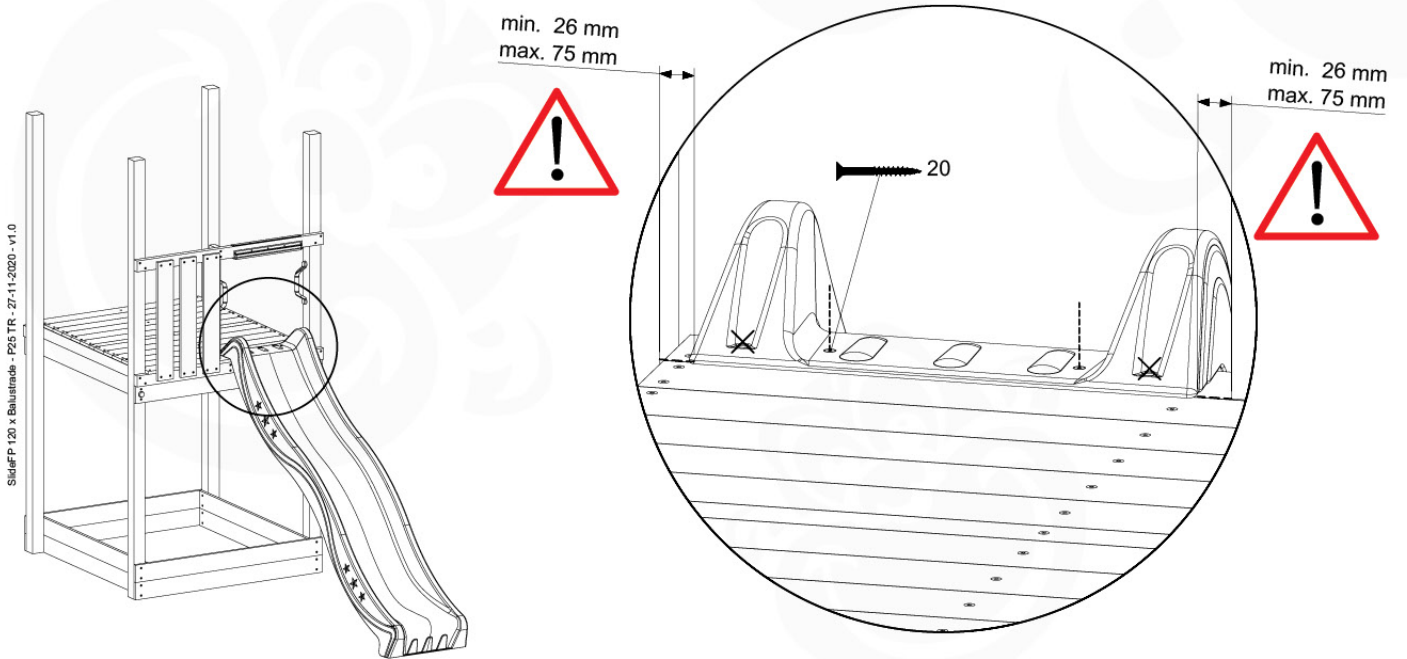
14-3



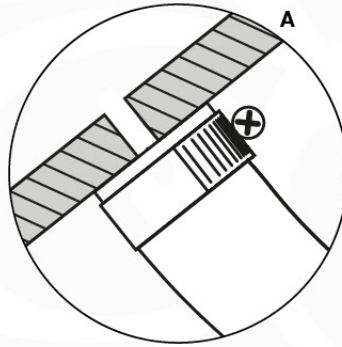
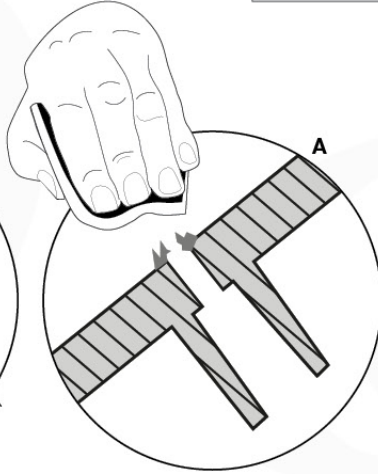
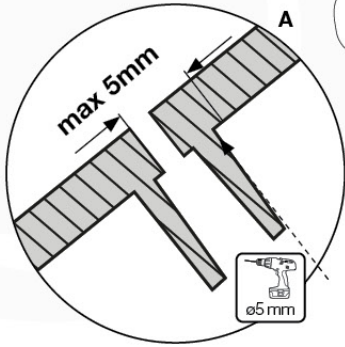
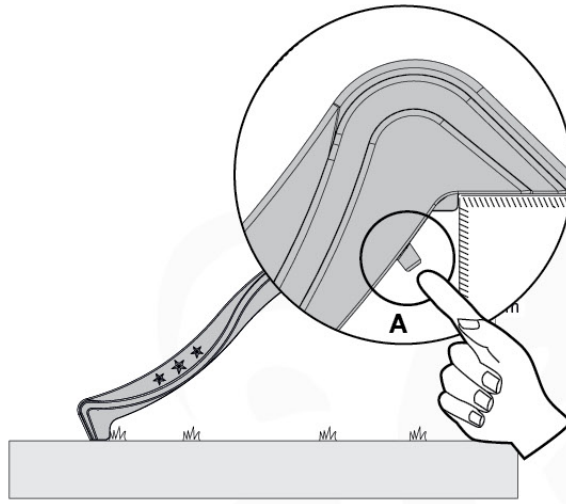
14-4



14-5



14-6

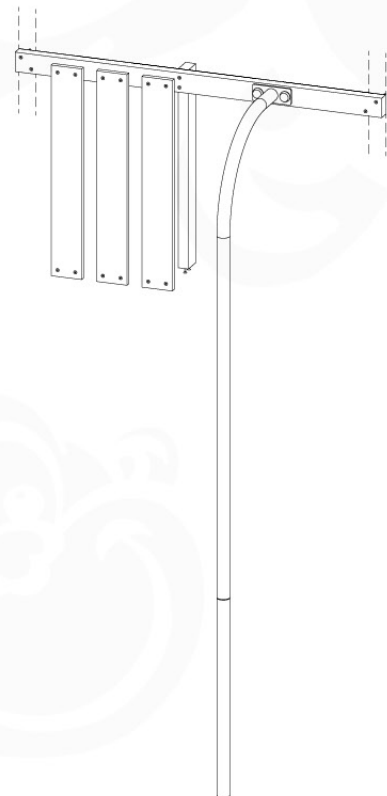


15 Firemans Pole

FP07

| | PartNo | PartName | QTY. |
|------------------|---------|----------------------------|------|
| Hardware Pack(s) | 001_103 | M8 Washer Head Screw 40mm | 2 |
| | 002_220 | Gap Point Screw T25 - 5x45 | 16 |
| | 002_223 | Gap Point Screw T25 - 5x80 | 8 |
| | 003_010 | M8 spring lock washer | 2 |
| | 003_040 | M8 Washer | 2 |
| | 004_052 | M8 Drive-in Nut 30mm | 2 |
| | 004_054 | M8 Drive-in Nut 45mm | 2 |
| | 022_31x | bpc-base version 3 | 2 |
| | 022_84x | bpc cover | 2 |
| Other | 102_915 | Fireman's Pole | 1 |
| Timber | C70 | Beam 700 mm | 1 |
| | C114 | Beam 1140 mm | 1 |
| | D65 | Board 650 mm | 3 |

SlideFP 120 x Ballastlade - P33 FFTR - 27-11-2020 - v1.0



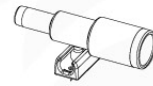
16 Accessories

AC01

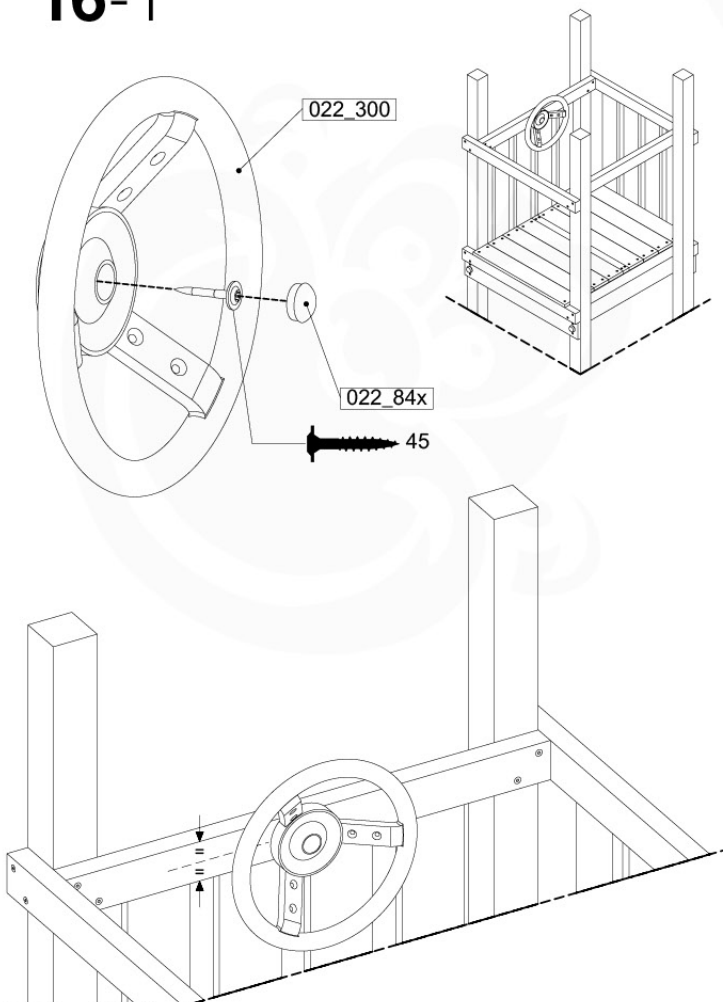
(194_119)

| | PartNo | PartName | QTY. |
|--------------------------|---------|-----------------------------|------|
| Hardware Pack 100_617 | 001_406 | Stealth Screw 8x45 | 1 |
| | 002_041 | Dome head screw 4.5 x 20 mm | 3 |
| | 002_042 | Dome head screw 3.5 x 13mm | 4 |
| | 002_219 | Gap Point Screw T25 - 5x30 | 2 |
| | 022_84x | bpc cover | 1 |
| Other | 022_300 | Steering Wheel | 1 |
| | 022_800 | Rail P/T 105 | 1 |
| | 022_910 | Sandpad | 1 |
| | 103_901 | Logo ID Plate | 1 |
| | 104_107 | Tool Set Climbing Units | 1 |
| | 120_024 | Tower Flag | 1 |
| | 122_302 | Telescope | 1 |

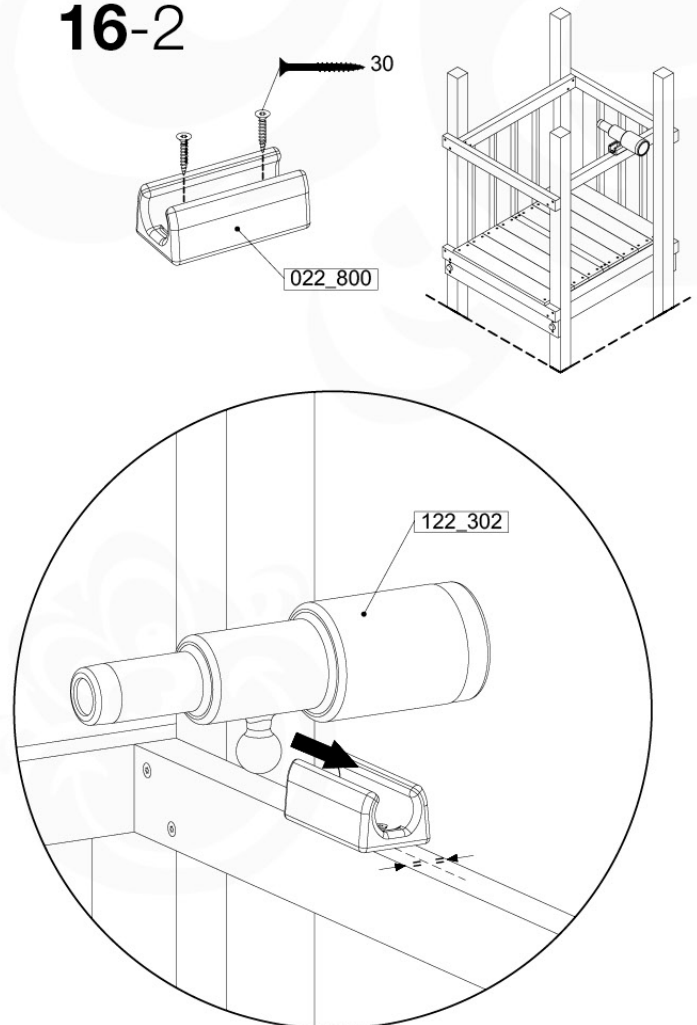
Accessory ref. - P02 - 18-11-2020 - v3



16-1

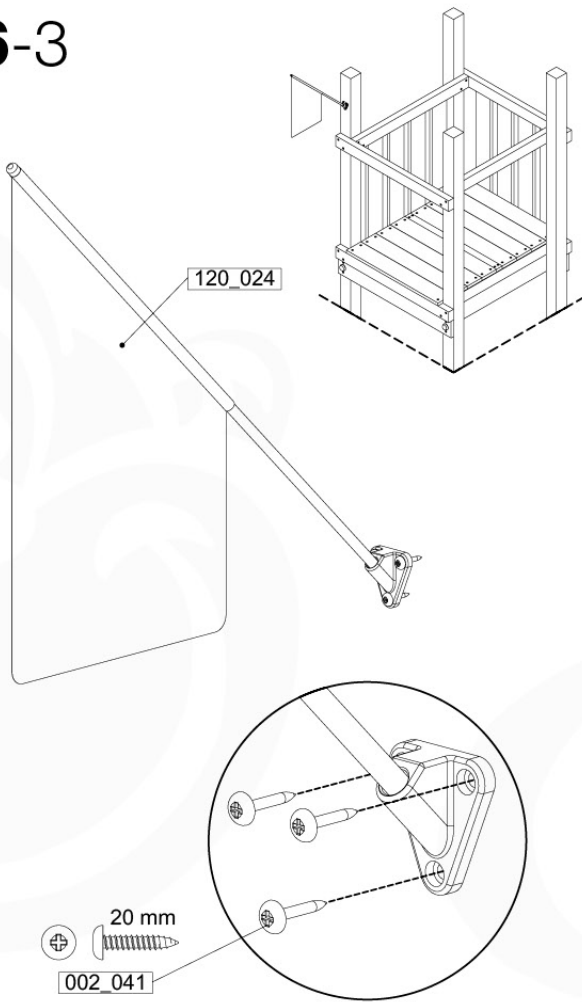


16-2

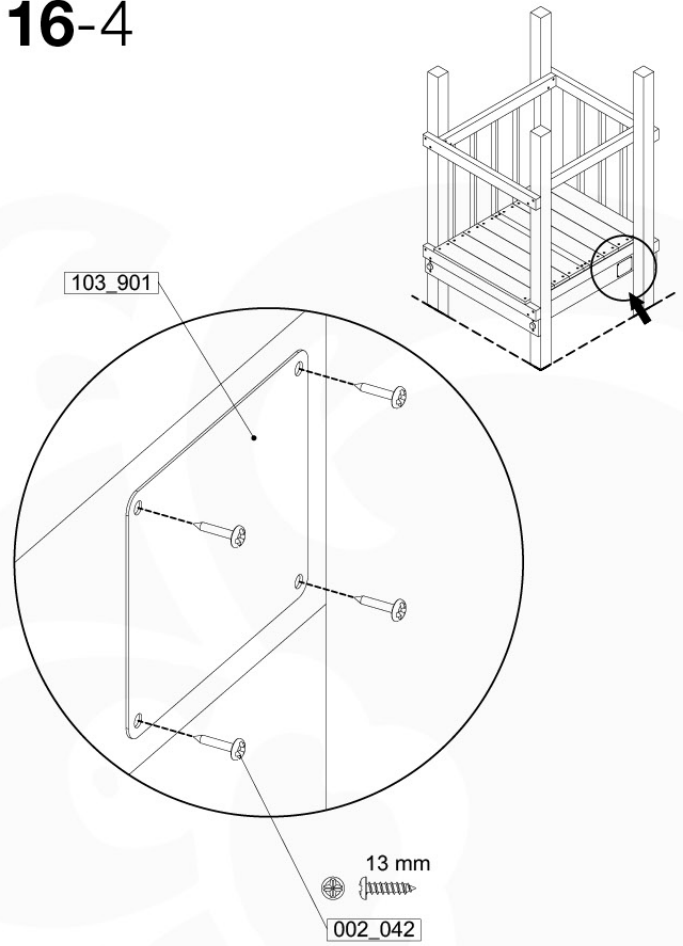


Accessory ref. - P03 - 18-11-2020 - v3

16-3

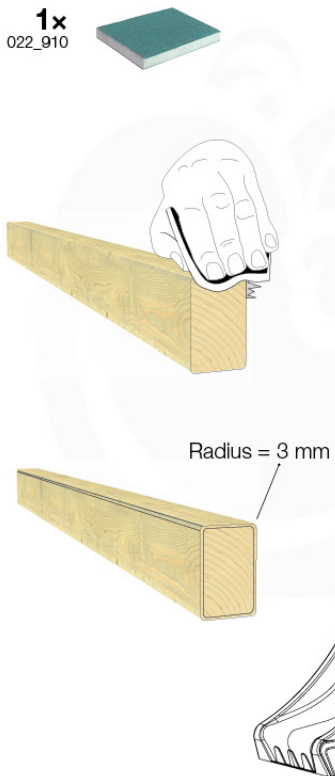


16-4

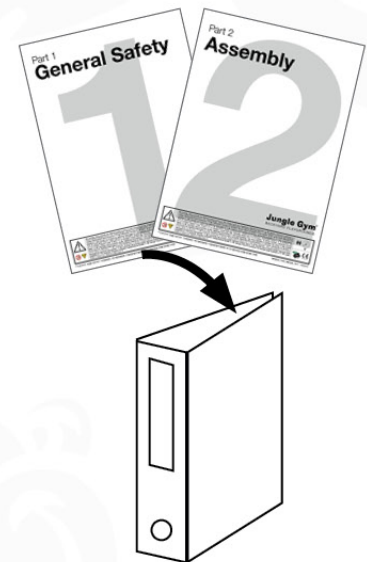


Accessory set - P04 - 16-11-2020 - v3

16-5

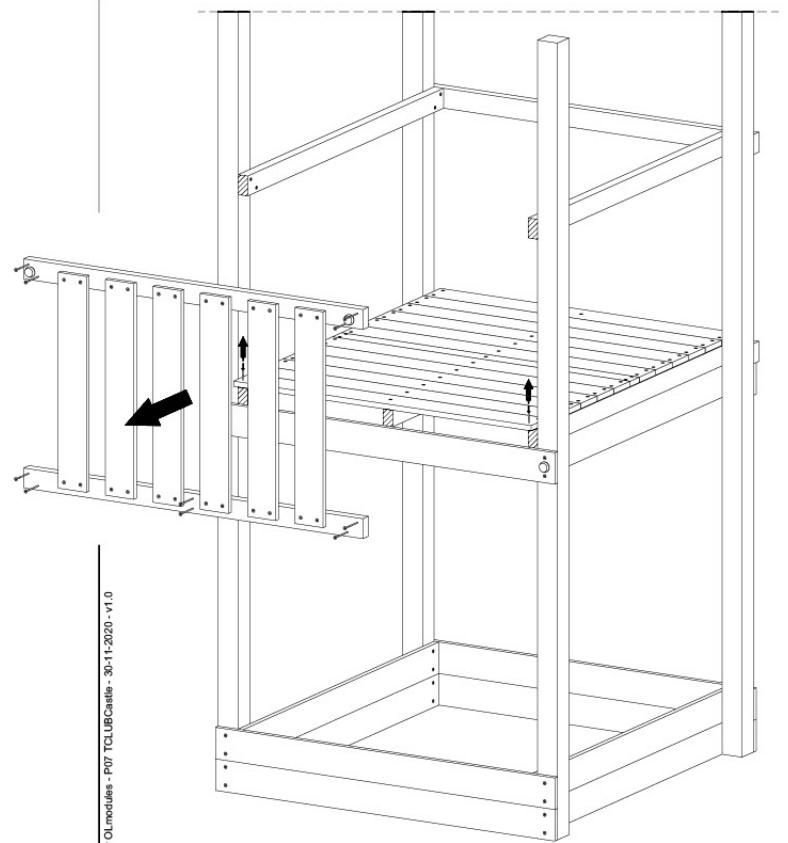
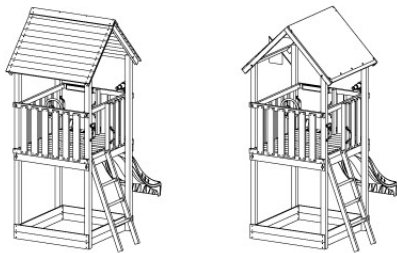


17



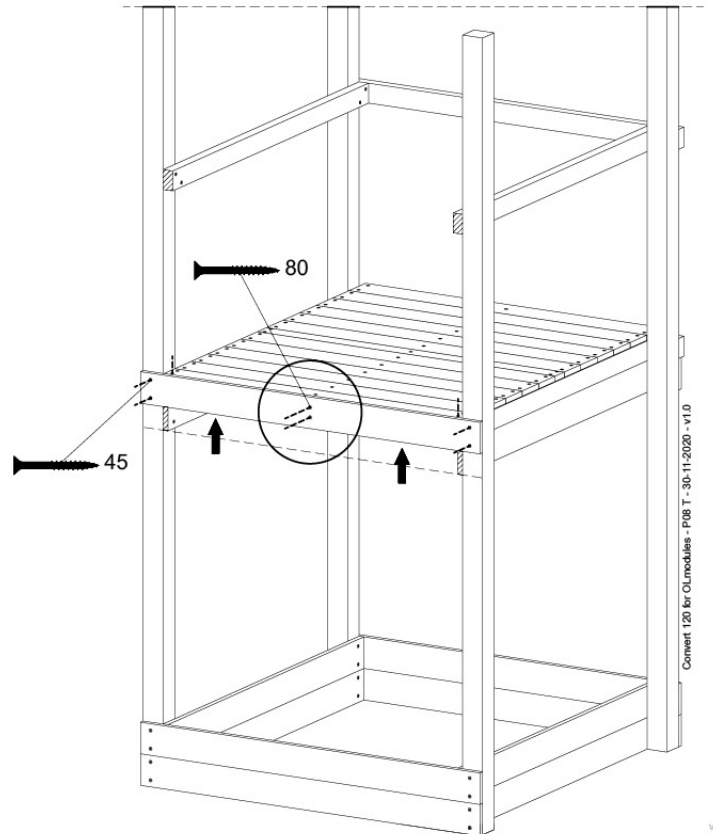
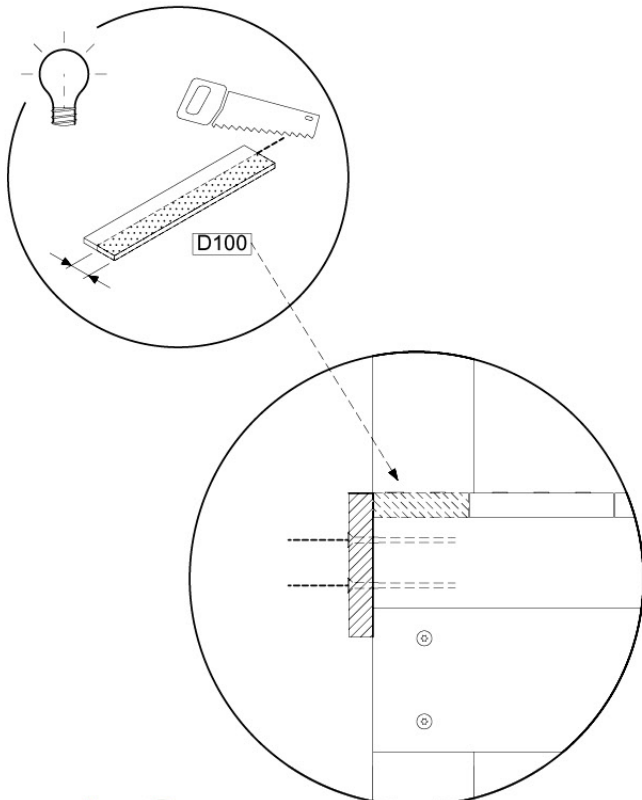
18 Tower preparation for Modules/ links

- 450_240 / 850_240 Bridge Module
- 450_255 / 850_255 Balcony Module
- 450_410 / 850_410 Boat Module
- 450_415 / 850_415 Train Module
- 470_100 / 870_100 Bridge Link
- 470_105 / 870_105 Net Link



Convert 120 for OLmodules - P07 TCLUBCastle - 30-11-2020 - v1.0

18-1



Convert 120 for OLmodules - P08 T - 30-11-2020 - v1.0

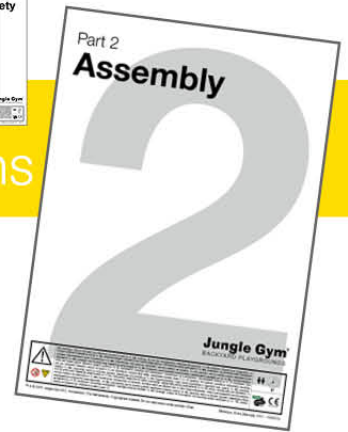
v.2.11.4

Part 2

Assembly

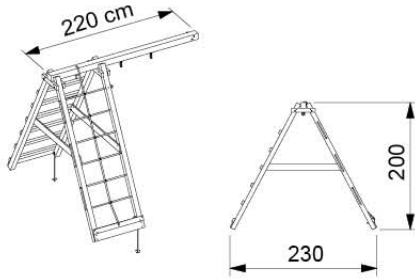
Climb Module

Instructions



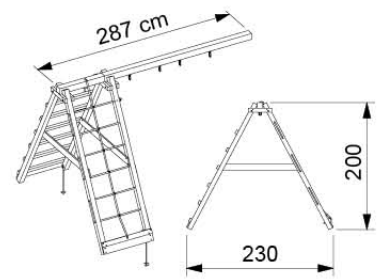
1-Climb Module 200

857_105



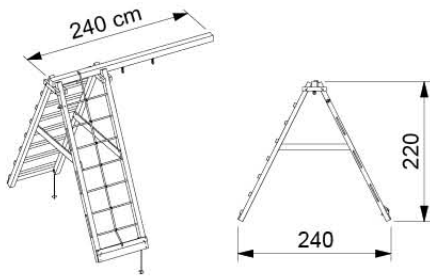
2-Climb Module 200

857_106



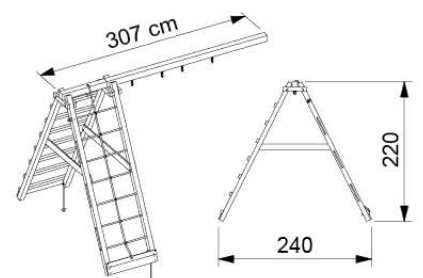
1-Climb Module 220

857_157



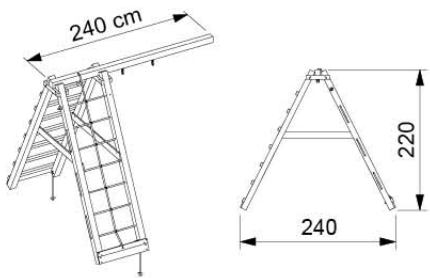
2-Climb Module 220

857_158



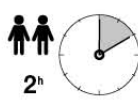
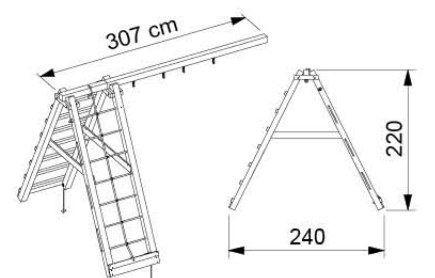
1-Climb Module 220 Extra

850_231



2-Climb Module 220 Extra

850_232



Jungle Gym

BACKYARD PLAYGROUNDS

since 1988

| | 1 position | 2 positions | | 1 position | 2 positions |
|--|------------|-------------|--|------------|-------------|
| EN. Warnings. Only for domestic use. Maximum number of users is: | 3 | 4 | LT. Įspėjimai. Tik butiniam naudojimui. Maksimalus naudotojų skaičius : | 3 | 4 |
| DE. Achtung. Nur für den Hausgebrauch. Maximale Benutzerzahl: | 3 | 4 | HR. Upozorenja. Samo za kućansku uporabu. Maksimalan broj korisnika je : | 3 | 4 |
| FR. Attention. Réservé à un usage familial. Le nombre maximal d'utilisateurs est de : | 3 | 4 | HU. Figyelmeztetések. Csak otthoni használatra! A használók max. száma: : | 3 | 4 |
| NL. Waarschuwingen. Uitsluitend voor huishoudelijk gebruik. Het maximale aantal gebruikers is: | 3 | 4 | NO. Advarsel. Kun for privat bruk. Maksimalt antall brukere er : | 3 | 4 |
| BG. Внимание. За употреба само в домашни условия. Максималният брой потребители е: | 3 | 4 | PL. Ostrzeżenia. Wyłącznie do użytku domowego. Maksymalna liczba użytkowników to : | 3 | 4 |
| ES. Advertencias. Sólo para uso doméstico. Número máximo de usuarios: | 3 | 4 | PT. Avisos. Apenas para uso doméstico. O número máximo de utilizadores é : | 3 | 4 |
| CS. Varování. Jen pro domácí použití. Maximální počet uživatelů je : | 3 | 4 | RO. Avertismente. Numai pentru uz domestic. Numărul maxim de utilizatori este : | 3 | 4 |
| DA. Advarsel. Kun til privat brug. Maksimalt antal brugere er : | 3 | 4 | RU. Предостережения. Только для домашнего использования. | 3 | 4 |
| ET. Hoiatused. Ainult koduseks kasutamiseks. Maksimaalne kasutajate arv on : | 3 | 4 | Максимальное количество пользователей : | 3 | 4 |
| EL. Προειδοποιήσεις. Μόνο για οικιακή χρήση. Μέγιστος αριθμός χρηστών : | 3 | 4 | SK. Upozornenia. Iba na domáce použitie. Maximálne množstvo osôb je : | 3 | 4 |
| IS. Varnaðarorð. Eingöngu fyrir einkanoðkun í heimahúsum og á einkalóðum. Hámarksfjöldi notenda er : | 3 | 4 | SL. Opozorila. Samo za domačo uporabo. Maksimalno število uporabnikov je : | 3 | 4 |
| IT. Avvertenze. Solo per uso domestico. Massimo numero di utenti è : | 3 | 4 | FI. Varoitukset. Ainoastaan kotikäyttöön. Käyttäjää yhteensä enintään : | 3 | 4 |
| LV. Brīdinājumi. Izmantot tikai mājās. Maksimālais lietotāju skaits ir : | 3 | 4 | SR. Upozorenja. Samo za kućnu uporabu. Maksimalan broj korisnika je : | 3 | 4 |
| | | | SV. Varningar. Endast för hemmabruk. Det maximala antalet användare är : | 3 | 4 |
| | | | TR. Uyarılar. Sadece ev kullanımı için. Maksimal kullanıcı sayısı : | | |

01 What's in the Delivery?

457_106

| | | | | |
|---|-----------------------|--|--|-------------------------------------|
| <p>1x 040_805</p> <p>1x 040_926</p> | <p>7x 022_455</p> | <p>2x 005_528</p> <p>Module</p> | <p>2x 005_529</p> <p>Module Extra</p> | <p>1x 020_317</p> <p>3,40 m</p> |
| <p>2x 007_001</p> | <p>4x 101_003</p> | <p>1x 008_010</p> <p>1x 104_403</p> <p>009_004</p> | <p>1x 100_161</p> | <p>1x 020_318</p> <p>8,10 m</p> |

02 Hardware

100_161 HWP Climb module

20221004

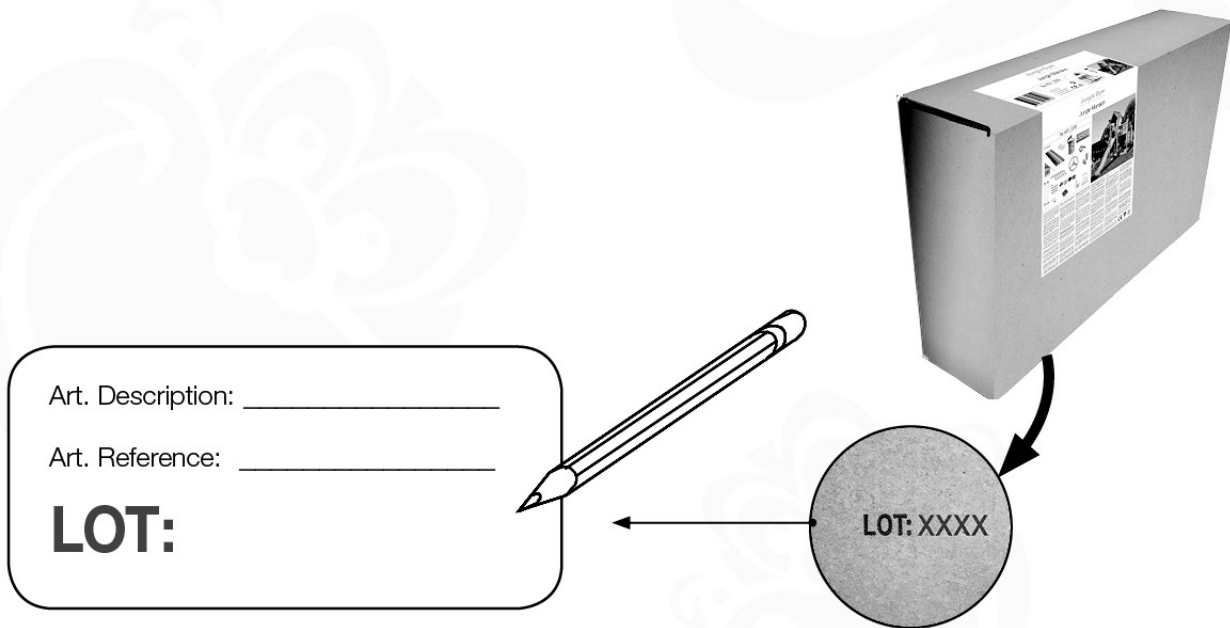
| | | | | | | | |
|---------|------------|--|-------------|---------|-----------|--|------|
| 001_422 | 6x | | ø8 x 137mm | 023_031 | 4x | | ø5mm |
| 001_417 | 8x | | ø8 x 80mm | | | | |
| 001_406 | 4x | | ø8 x 45mm | | | | |
| 002_223 | 45x | | ø5 x 80mm | | | | |
| 002_220 | 43x | | ø5 x 45mm | | | | |
| 002_301 | 7x | | ø3.9 x 40mm | | | | |

03 Timber

| | | 1-Climb Module 200 | | 2-Climb Module 200 | | 1-Climb Module 220 | | 2-Climb Module 220 | | 1-Climb Module 220 Extra | | 2-Climb Module 220 Extra | |
|---|------|-----------------------|--|-----------------------|---------|-----------------------|---------|-----------------------|---------|-----------------------------|-----|-----------------------------|-----|
| | | L | | 657_105 | 657_106 | 657_155 | 657_156 | 650_231 | 650_232 | | | | |
| A | A240 | 239cm - 240cm | | 4 x | 4 x | 4 x | 4 x | | | | | | |
| | A220 | 219cm - 220cm | | | | | | | | | | | |
| B | B240 | 239cm - 240cm | | 1 x | 1 x | 1 x | 1 x | 5 x | 5 x | | | | |
| | B220 | 219cm - 220cm | | | | | | | | | | | |
| | B67 | 66cm - 67cm | | | | | | | | | | | |
| C | C74 | 73cm - 74cm | | 7 x | 7 x | 8 x | 8 x | 8 x | 8 x | 4 x | 4 x | 8 x | 8 x |
| | C37 | 36cm - 37cm | | | | | | | | | | | |
| D | D141 | 140cm - 141cm | | 3 x | 3 x | 3 x | 3 x | 3 x | 3 x | 2 x | 2 x | 3 x | 3 x |
| | D74 | 73cm - 74cm | | | | | | | | | | | |

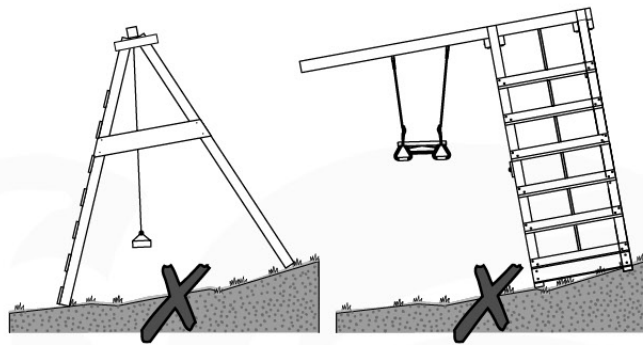
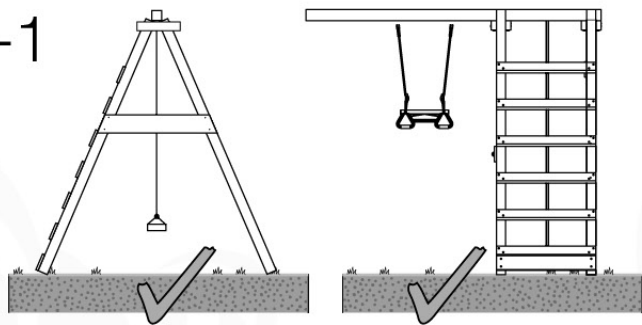
26-Oct-2021

04 Product ID

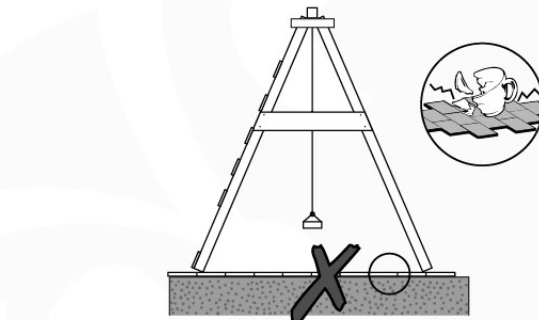
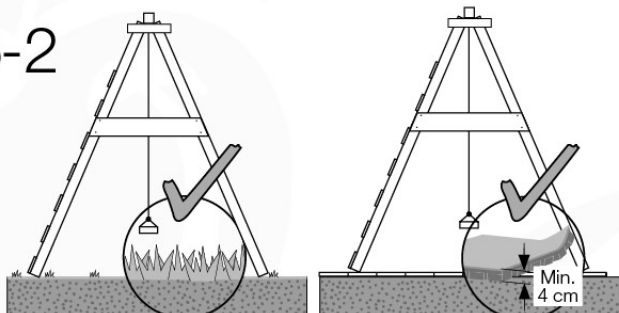


05 Safe Playground Planning

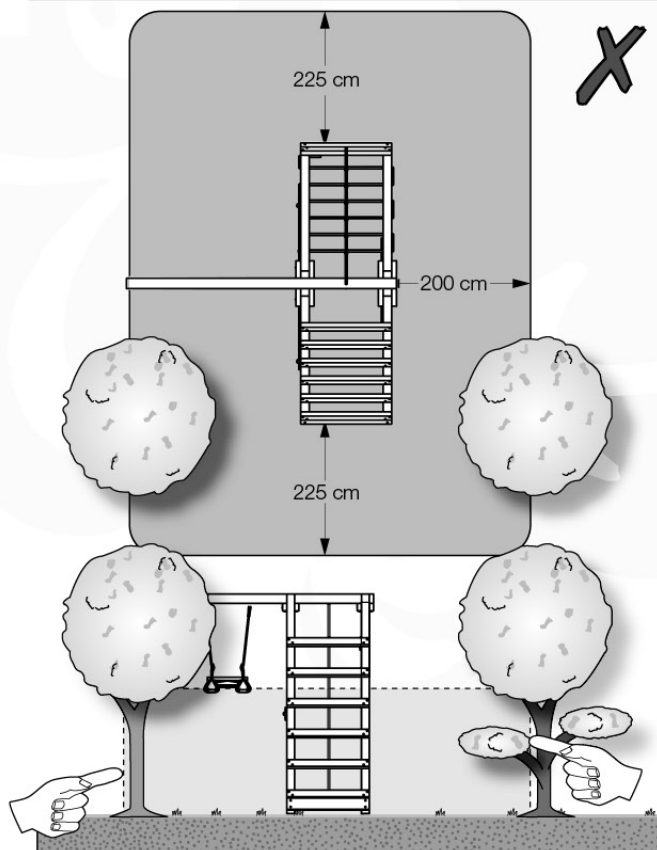
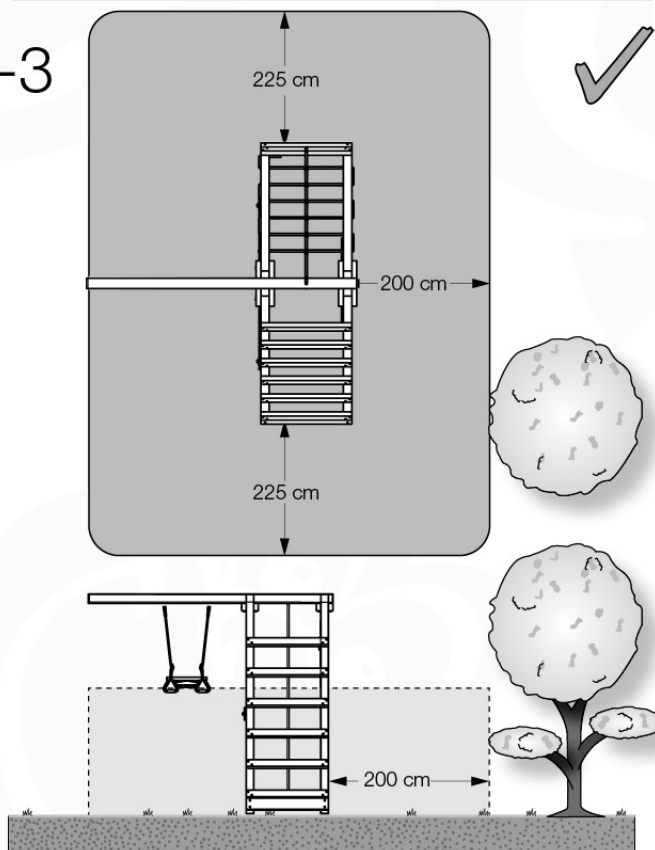
05-1



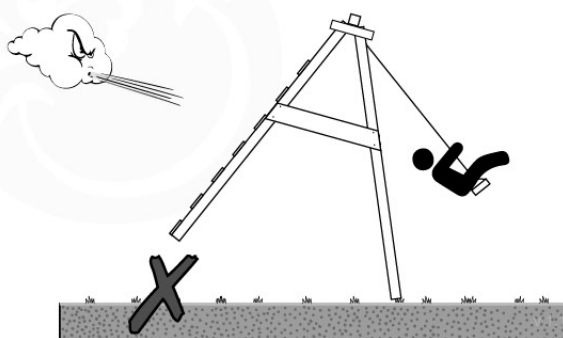
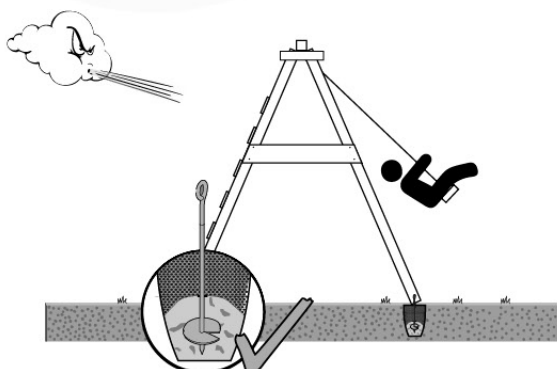
05-2



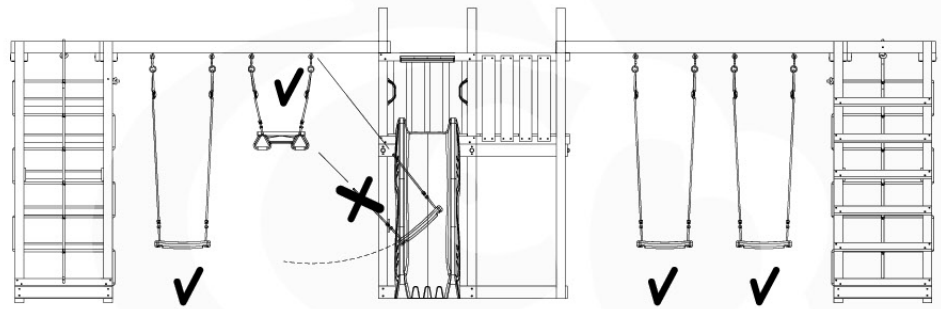
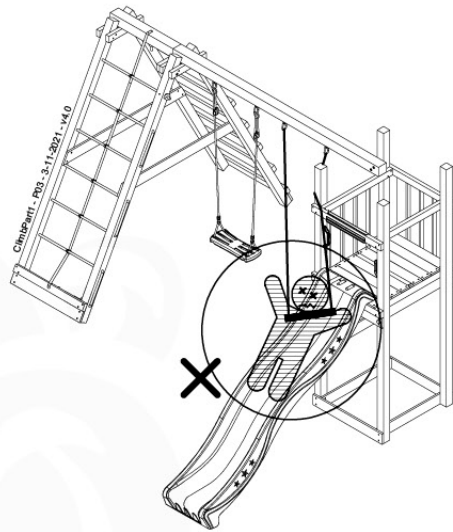
05-3



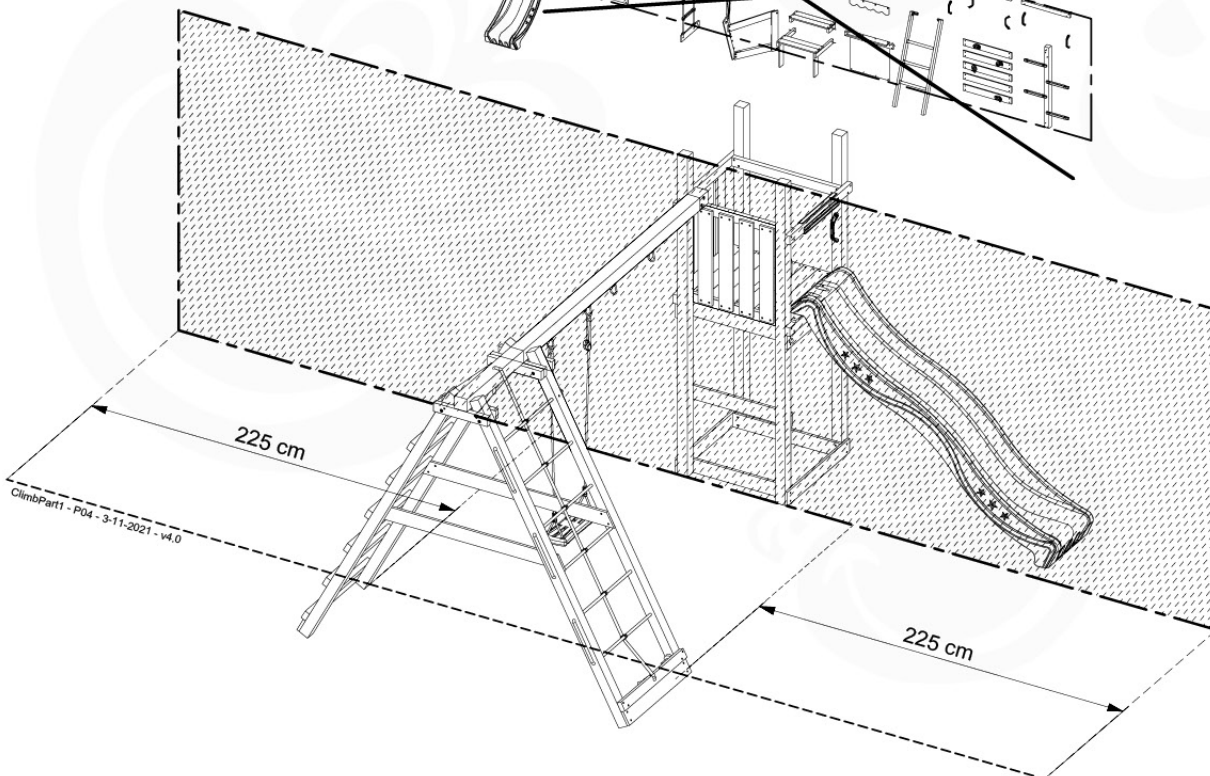
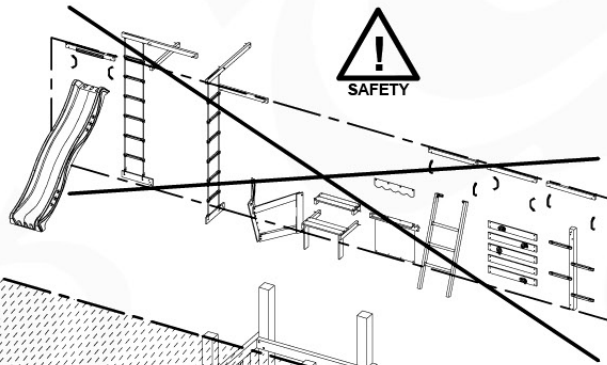
05-4



05-5



05-6

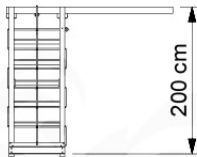


06

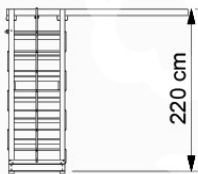
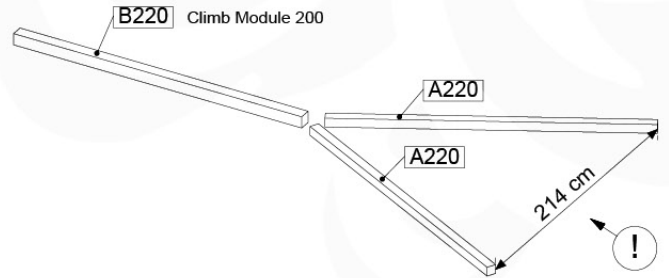
| | PartNo | PartName | QTY. |
|---------------|---------|--------------------------------|------|
| Hardware Pack | 001_406 | Stealth Screw 8x45 | 2 |
| | 001_417 | Stealth Screw 8x80 | 8 |
| | 001_422 | Stealth Screw 8x137 | 6 |
| | 002_220 | Gap Point Screw T25 - 5x45 | 43 |
| | 002_223 | Gap Point Screw T25 - 5x80 | 45 |
| | 002_301 | Dry Wall Screw PH2 3.9 x 40 mm | 7 |
| Other | 005_528 | Swing Beam Bracket 7x7 | 2 |
| | 005_529 | Swing Beam Bracket 9x9 | 2 |
| | 007_001 | Ground-anchor | 2 |
| | 020_317 | Rope Polyester 16mm Green 3.4m | 1 |
| | 020_318 | Rope Polyester 16mm Green 8.1m | 1 |
| | 022_455 | Rope Cross Connector Egg | 7 |
| | 023_031 | Finishing Washer GPS 5.0 | 4 |
| | 101_003 | Swing hook with Carabiner | 4 |

ClimbPart1 - Pkg - 3-11-2021 - v4.0

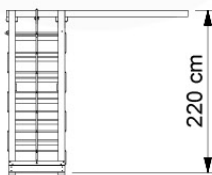
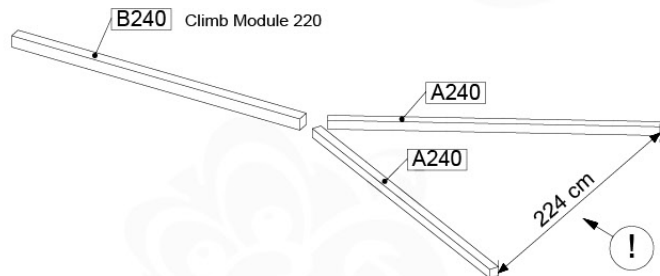
06-1



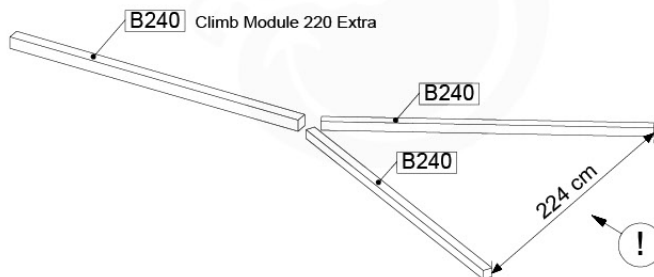
1-Climb Module 200
2-Climb Module 200



1-Climb Module 220
2-Climb Module 220

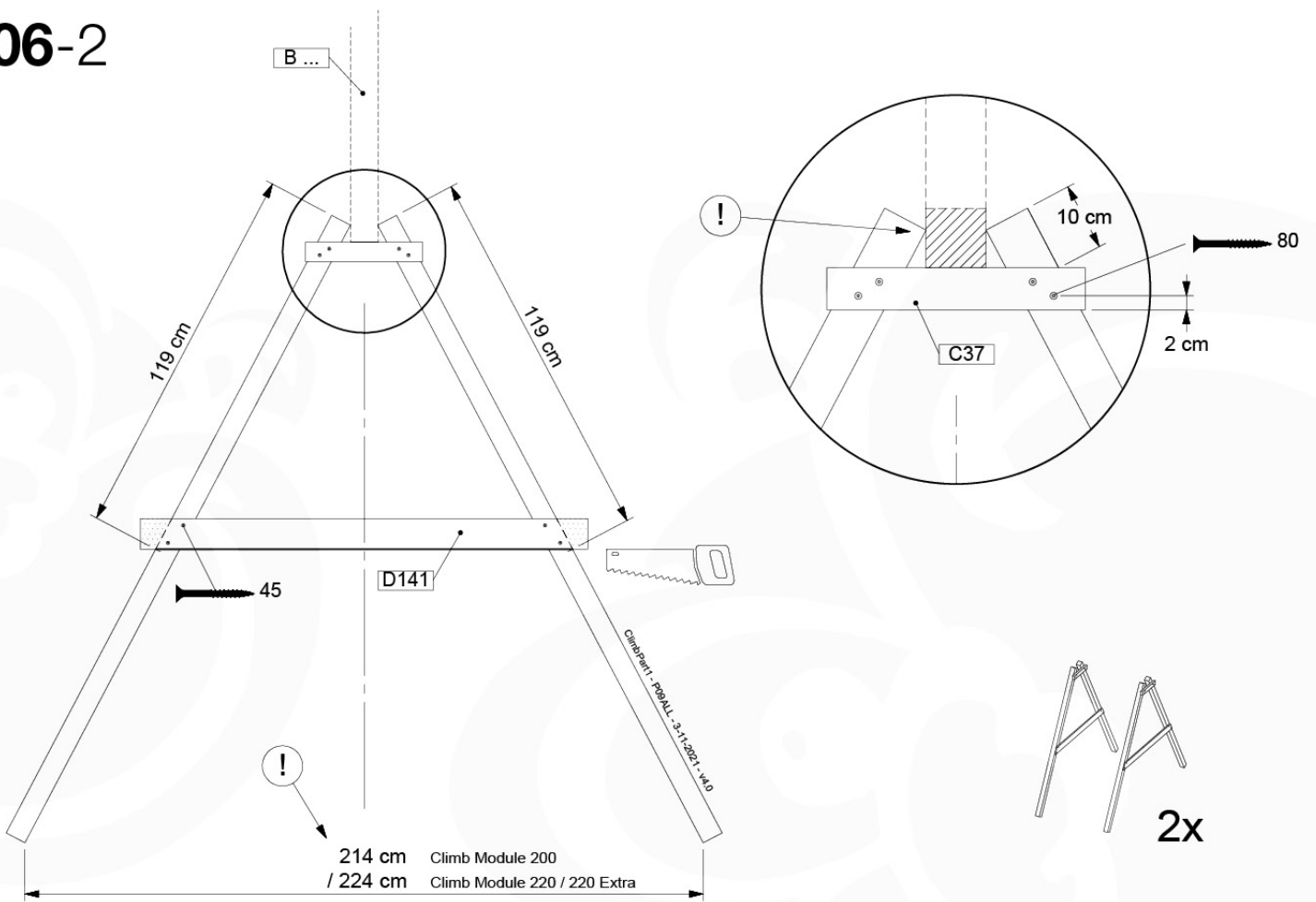


1-Climb Module 220 Extra
2-Climb Module 220 Extra

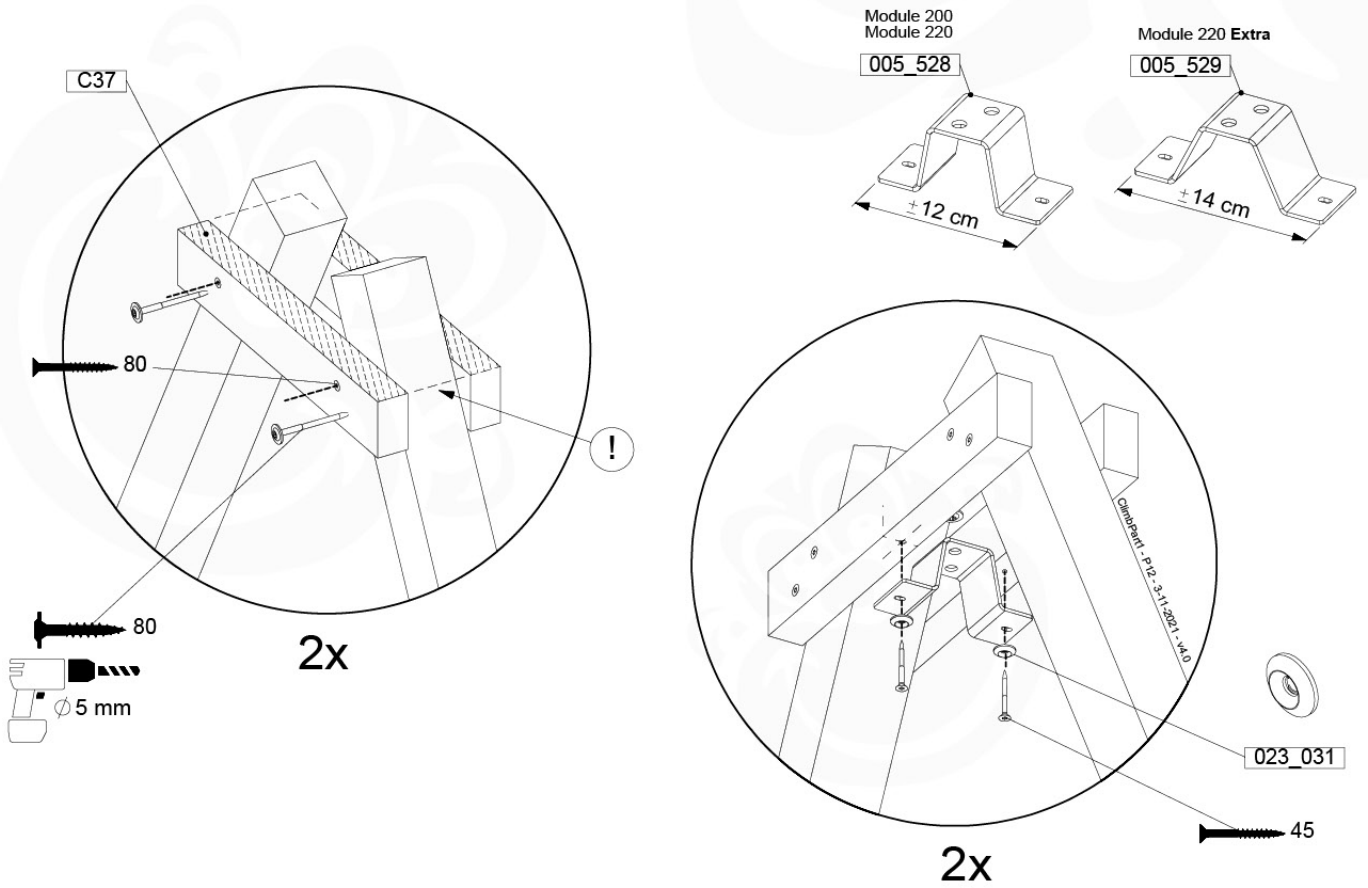


ClimbPart1 - PkgALL - 3-11-2021 - v4.0

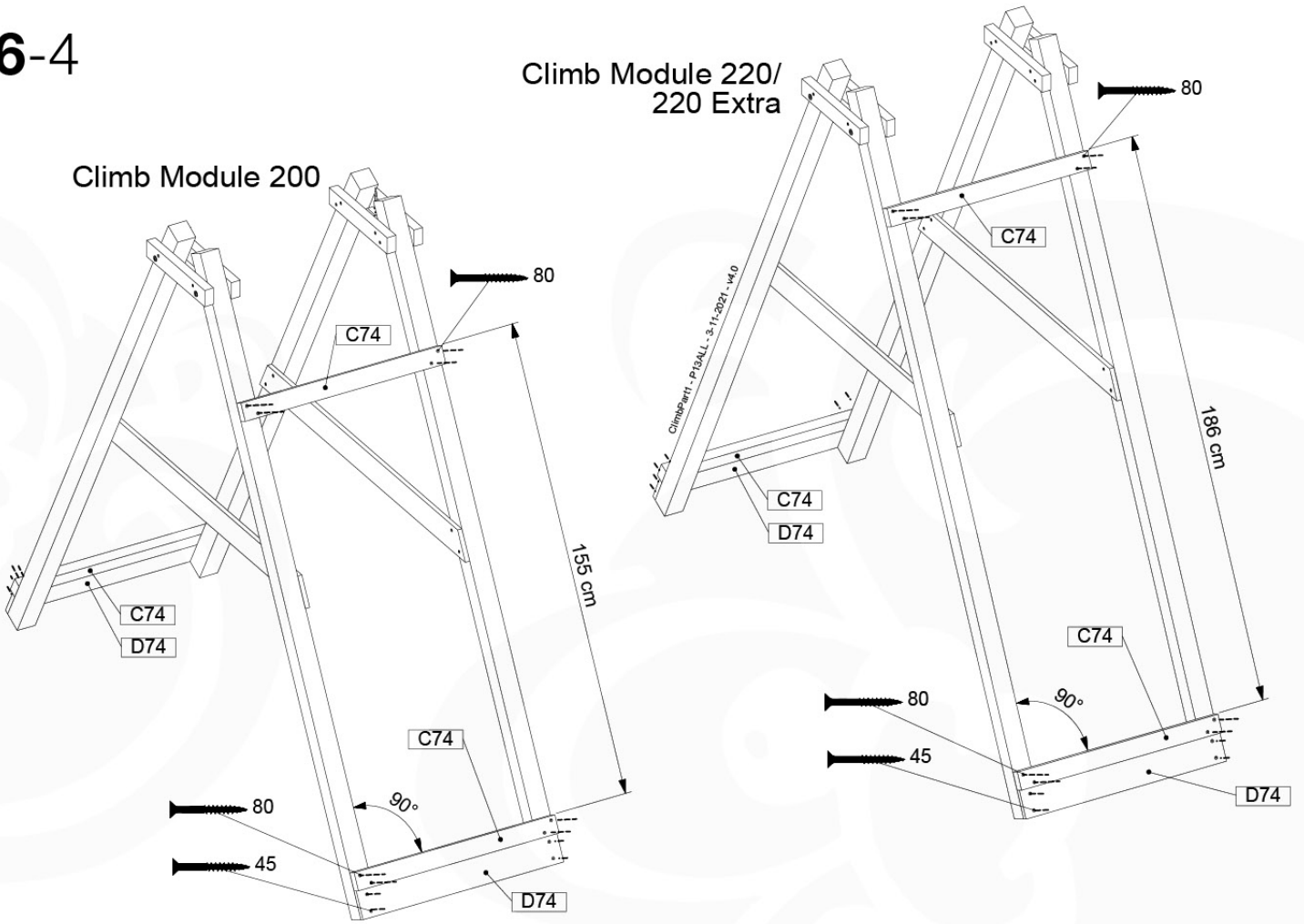
06-2



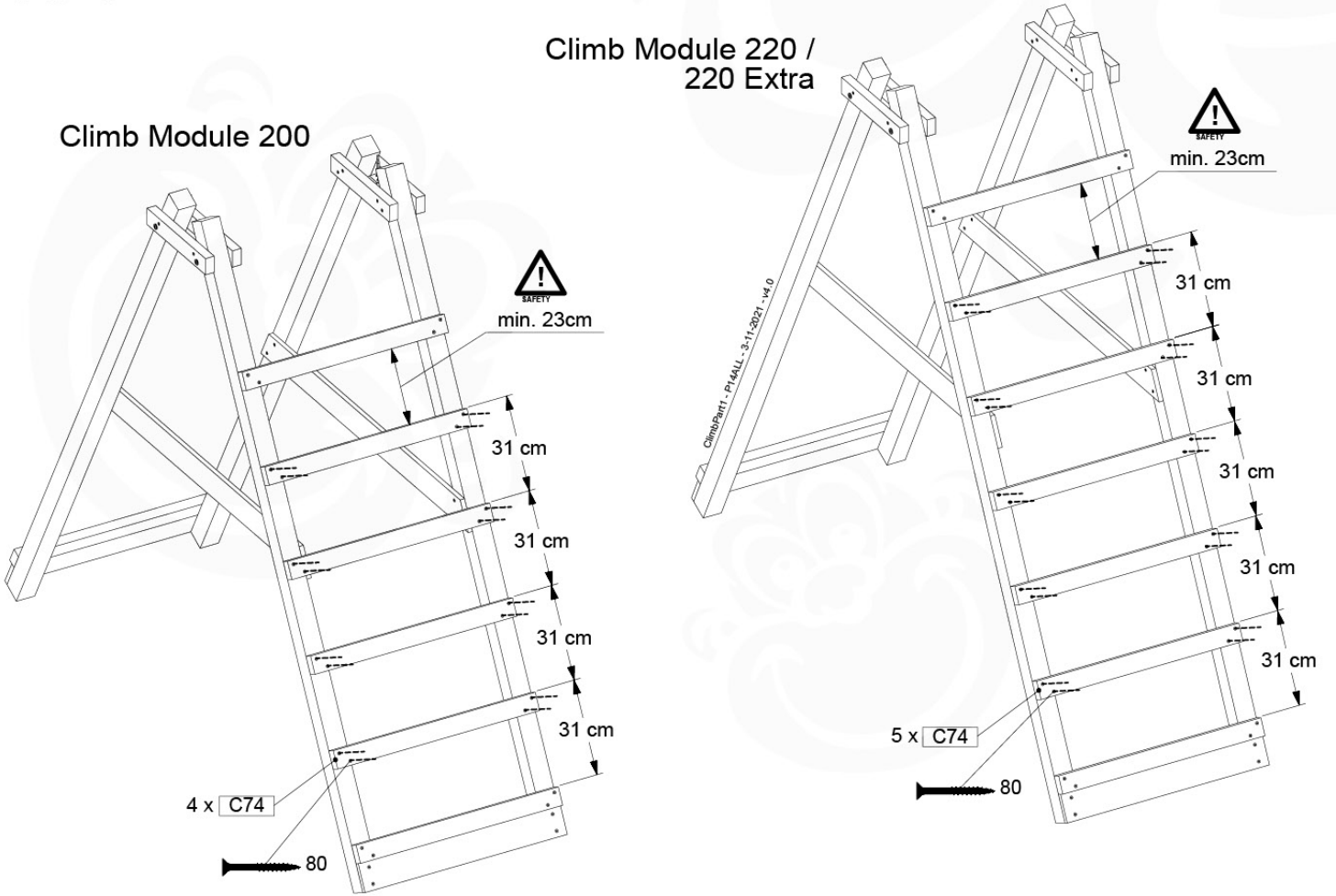
06-3



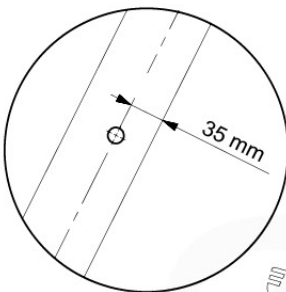
06-4



06-5

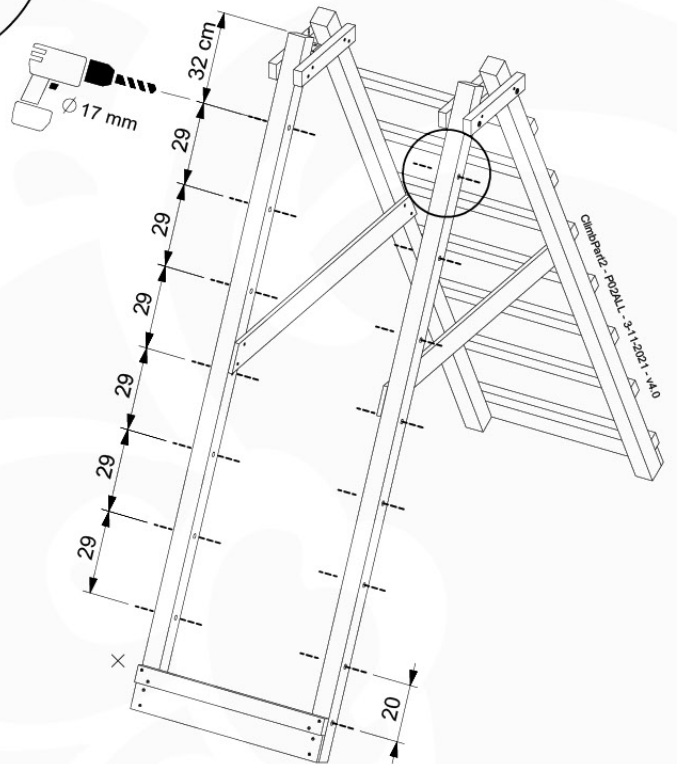
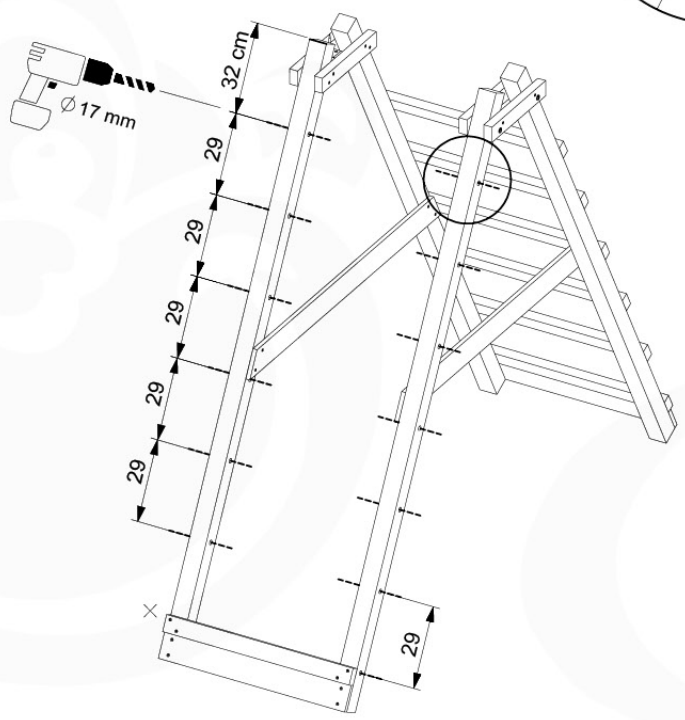


06-6

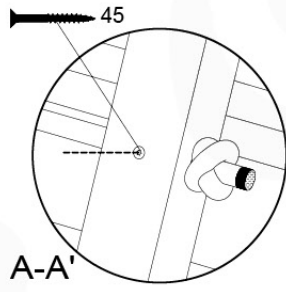


Climb Module 200

Climb Module 220 / 220 Extra

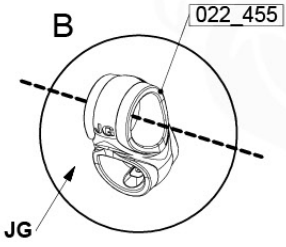
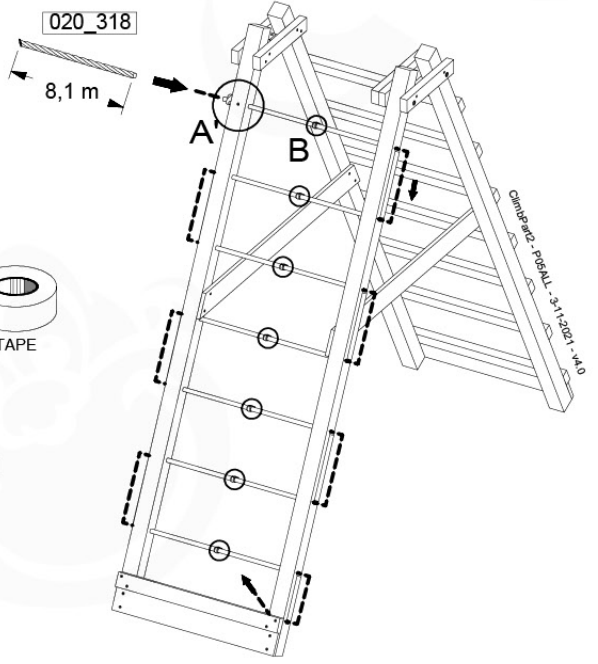
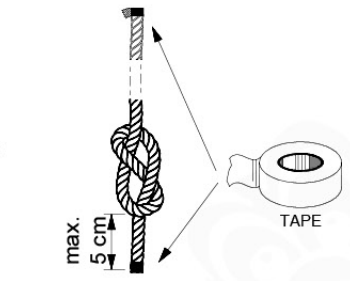
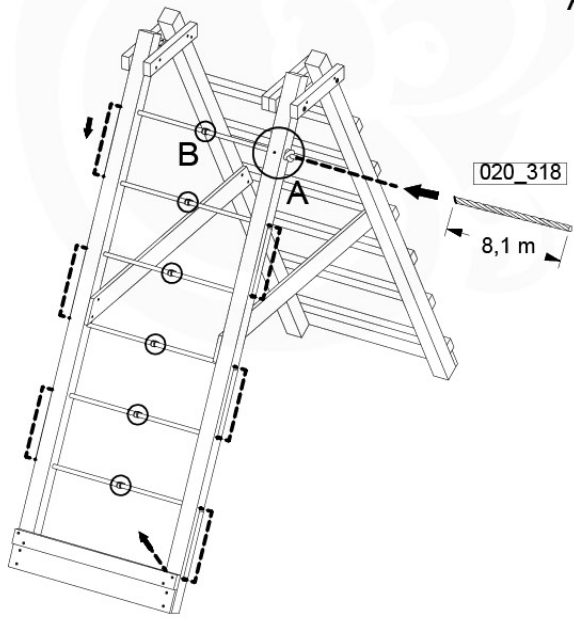


06-7



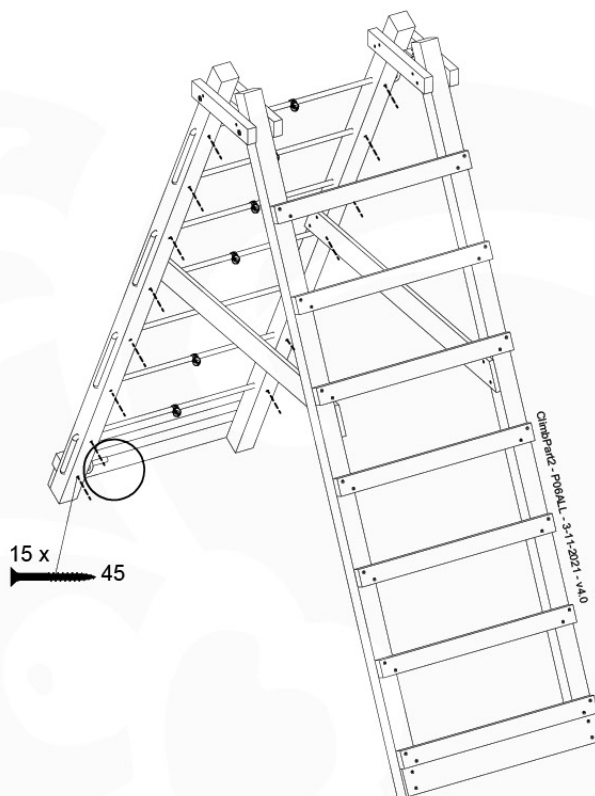
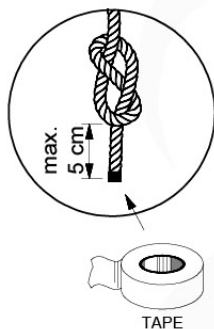
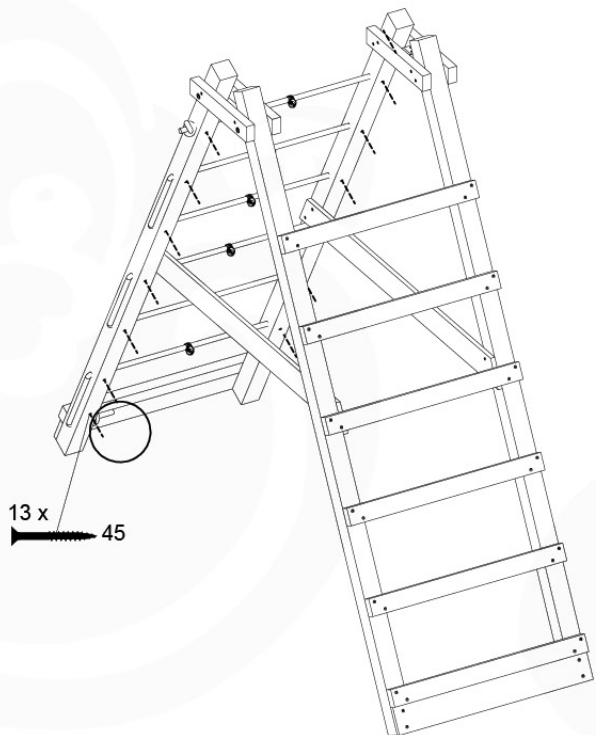
Climb Module 220 / 220 Extra

Climb Module 200



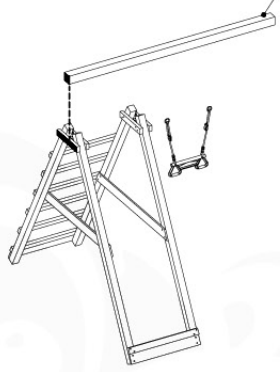
6-7x

Climb Module 200

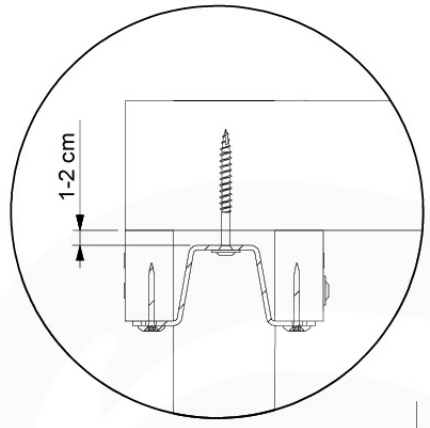


06-9

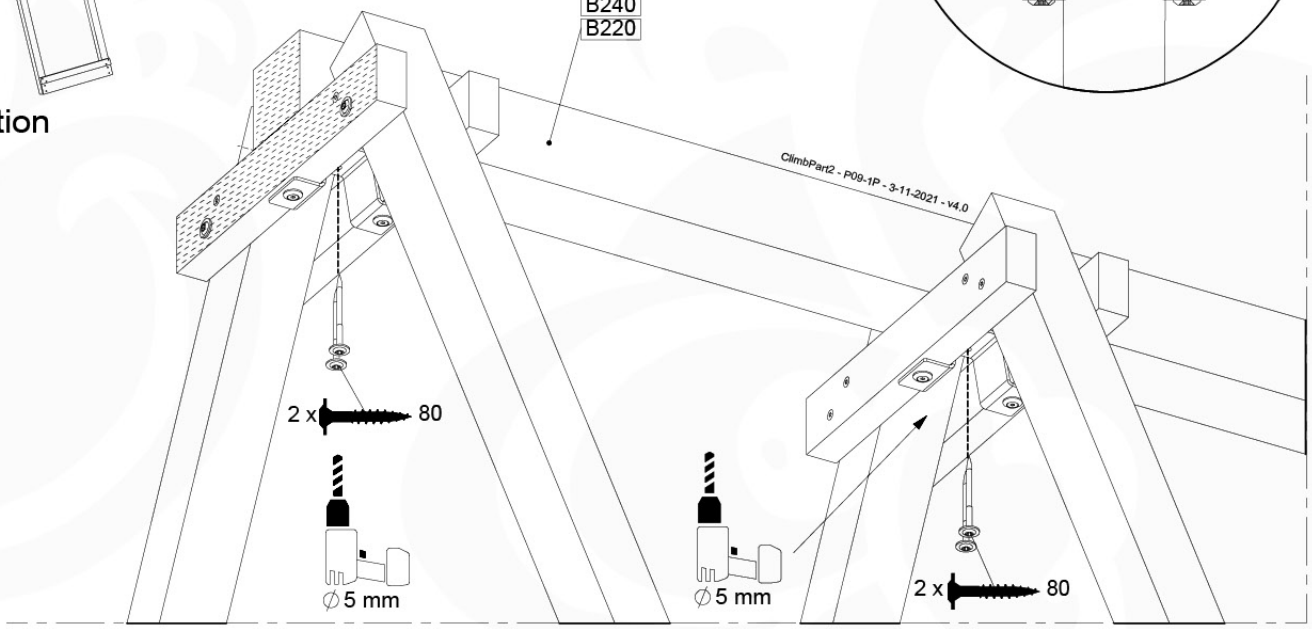
B240
B220



1 position



B240
B220



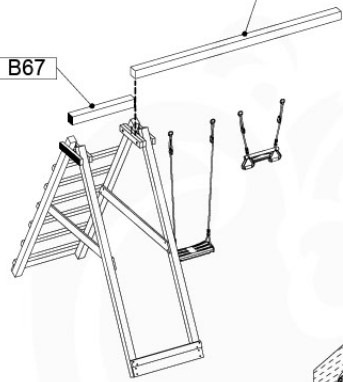
2 x 80



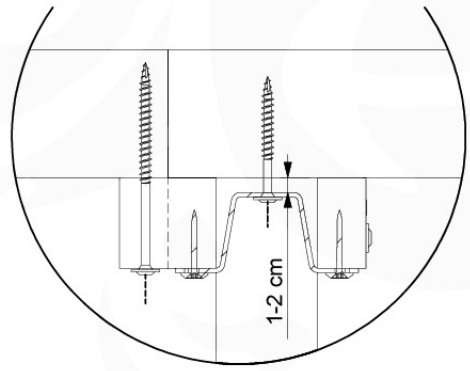
2 x 80

B240
B220

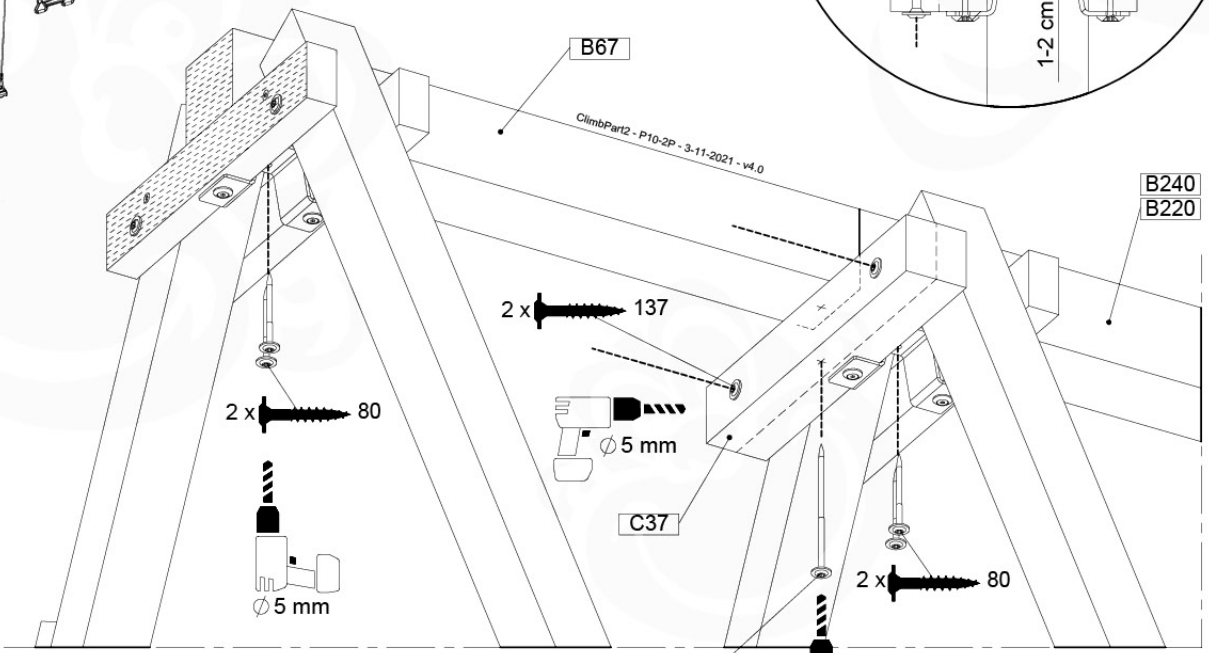
B67



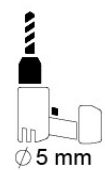
2 positions



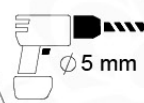
B67



2 x 80



2 x 137



C37

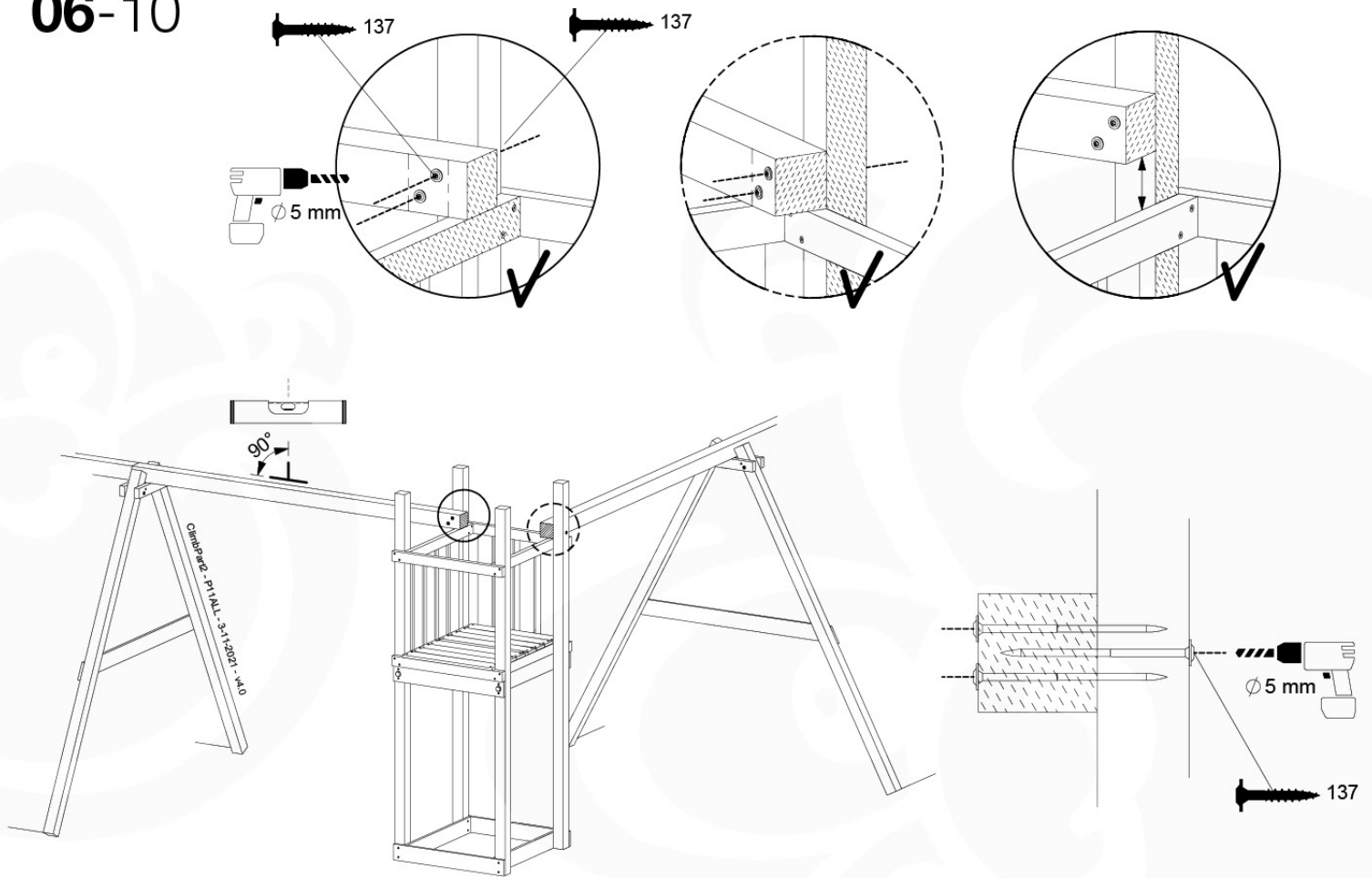
2 x 80

137

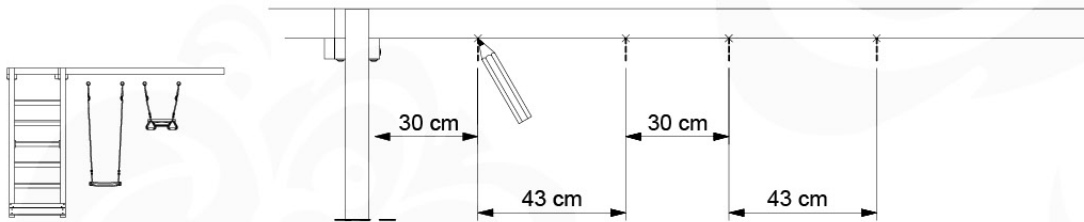


B240
B220

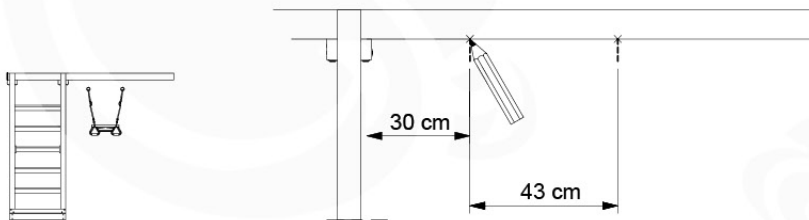
06-10



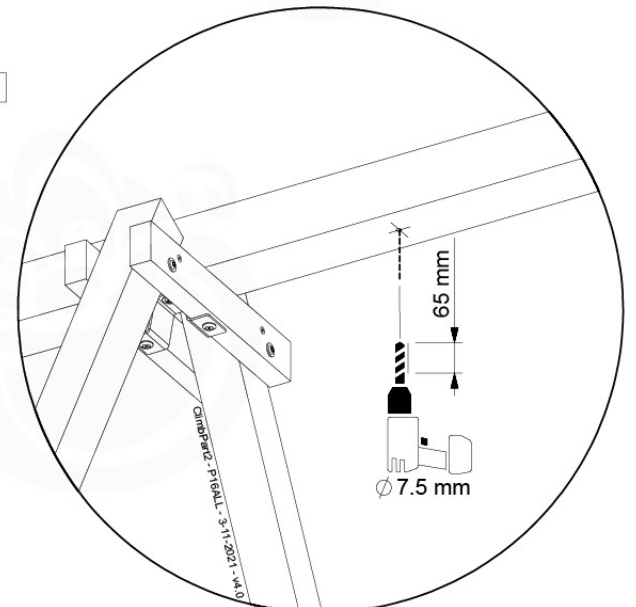
06-11



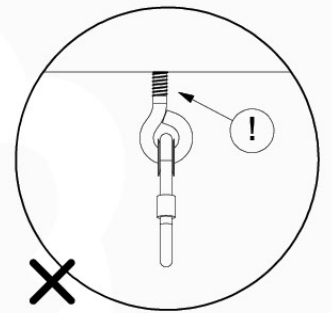
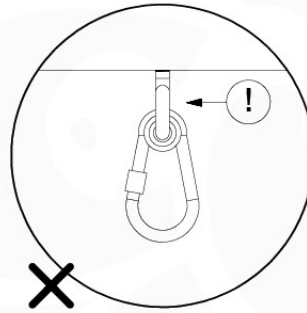
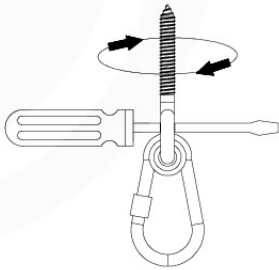
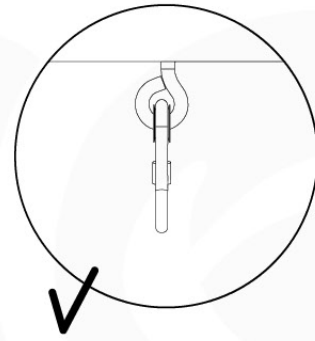
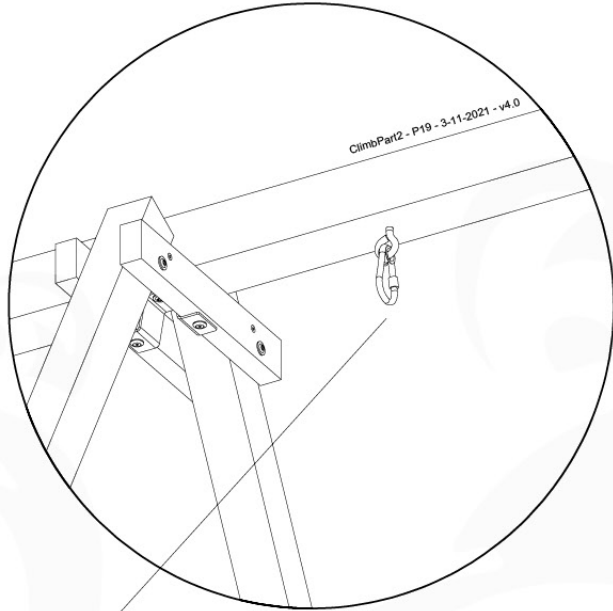
2 positions



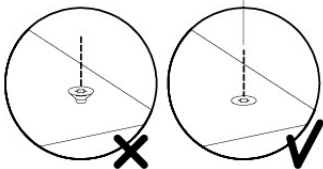
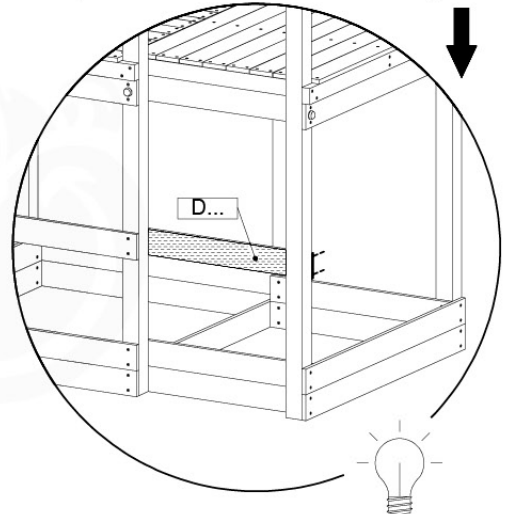
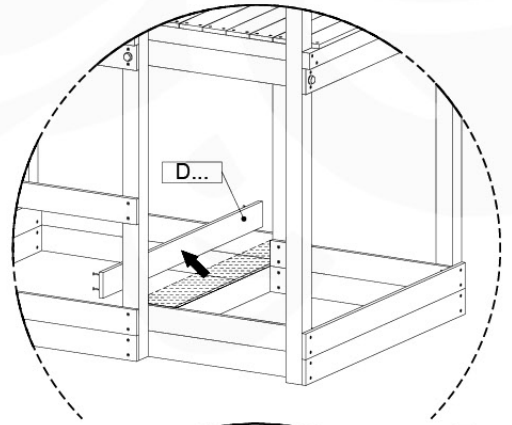
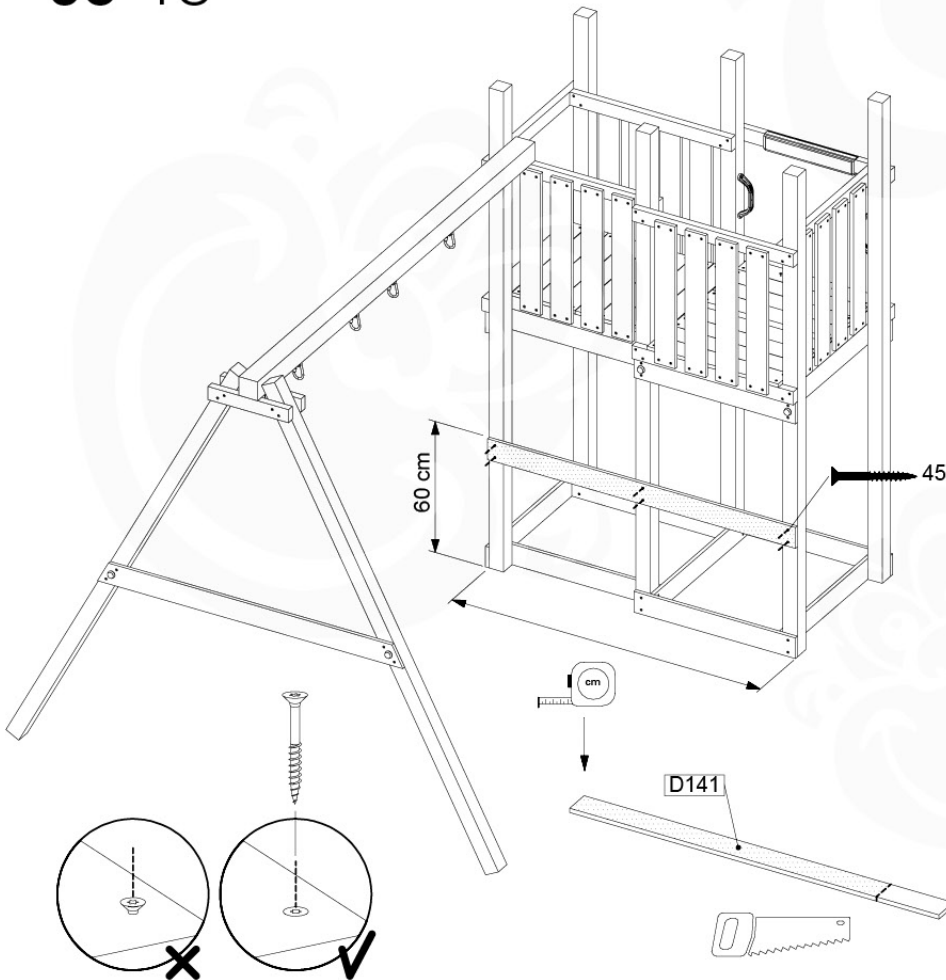
1 position



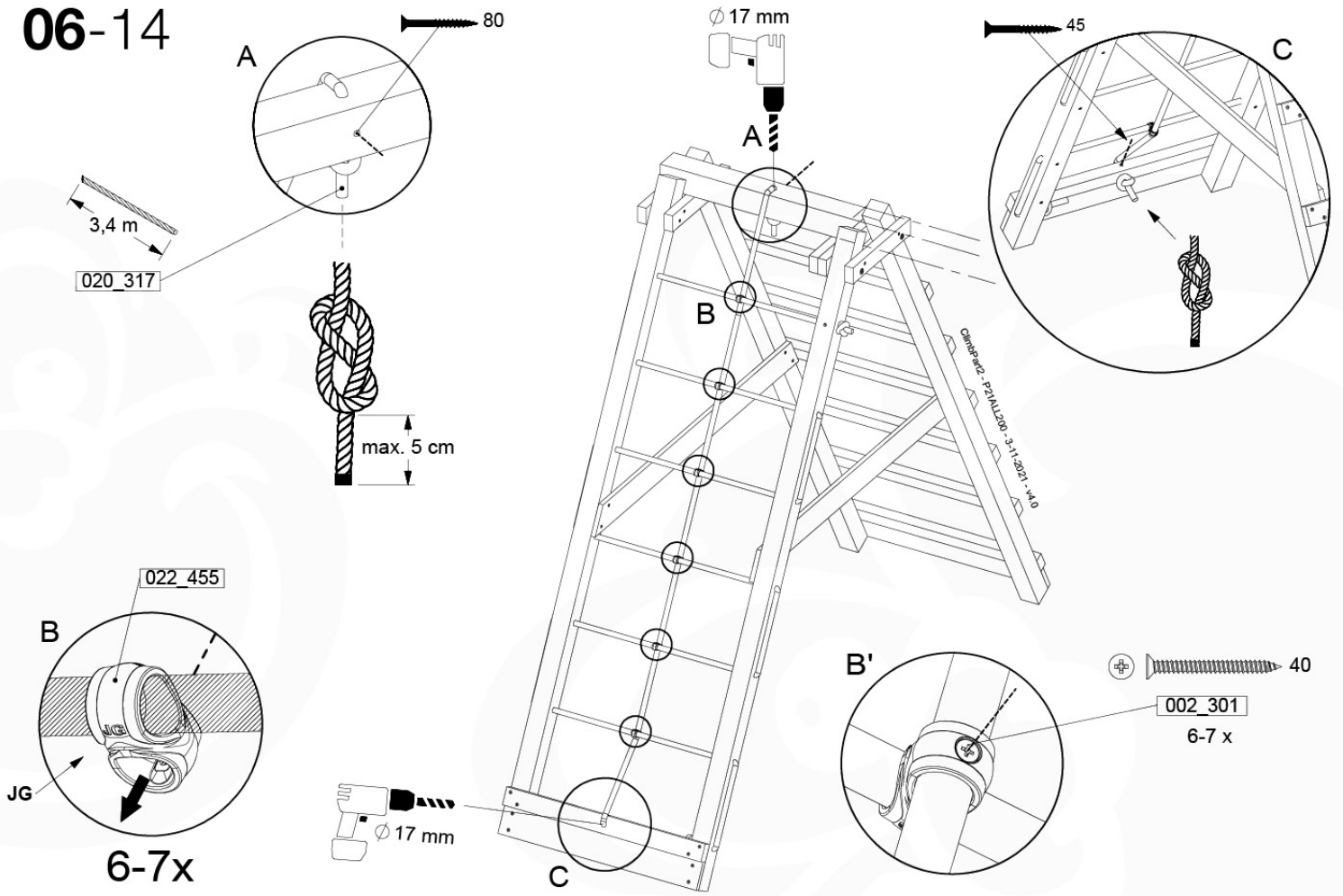
06-12



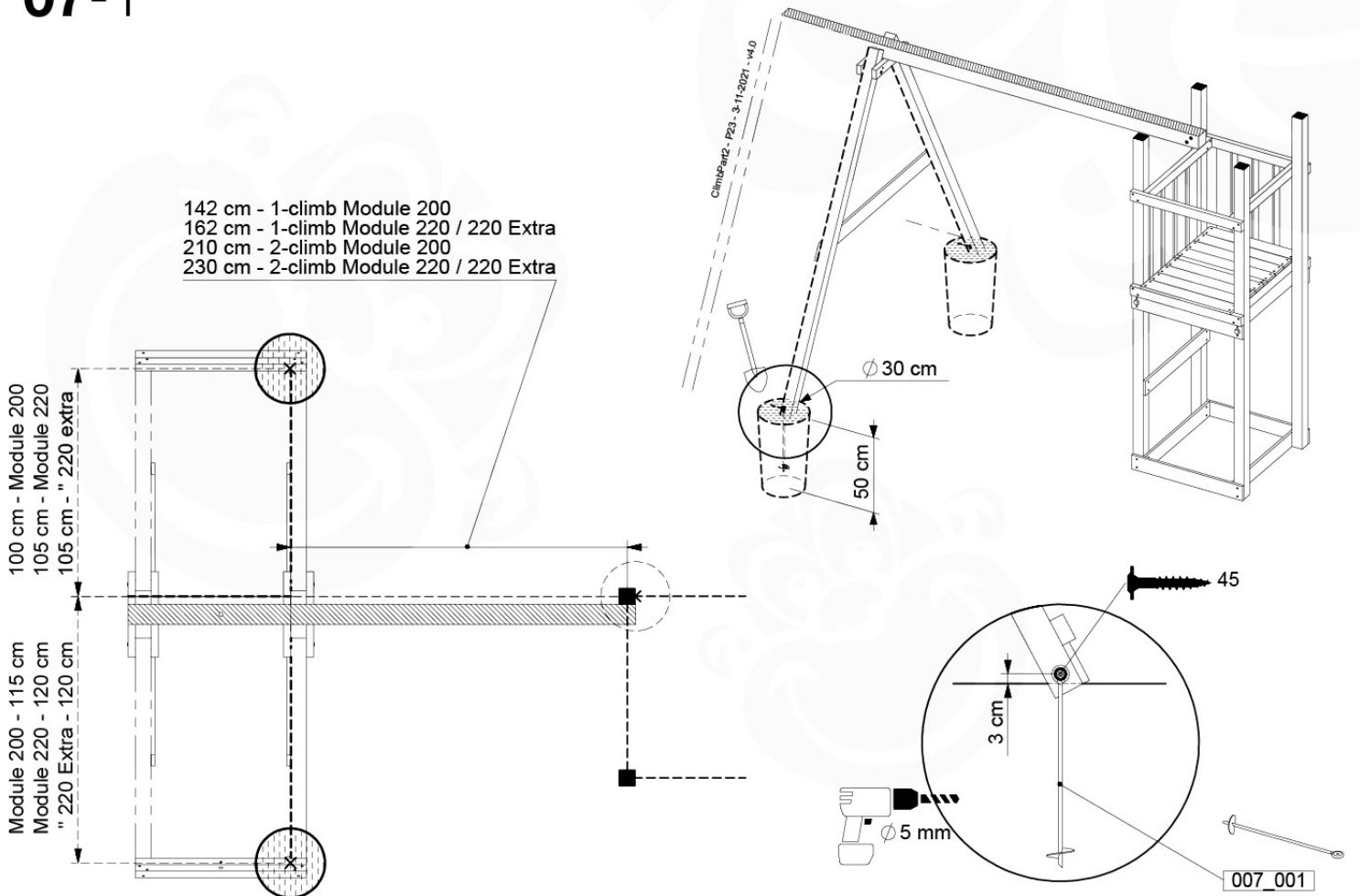
06-13



06-14



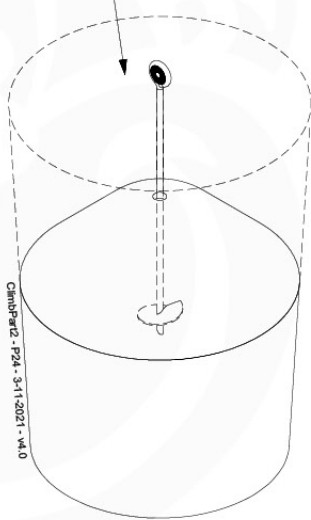
07-1



07-2



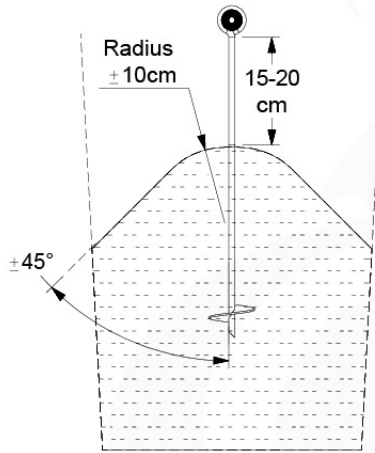
20 L / 40 kg



1.



SAFETY

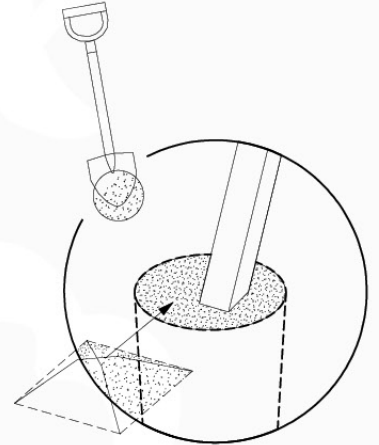


2.

24h

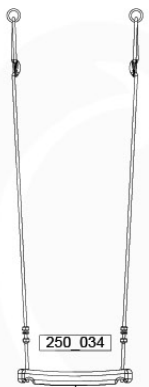


3.



4.

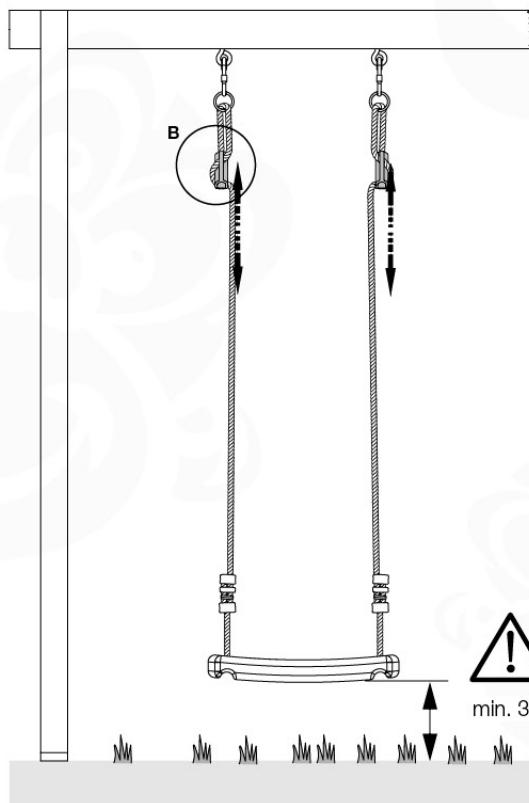
08 Accessories



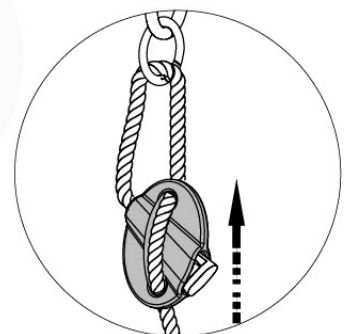
250_034



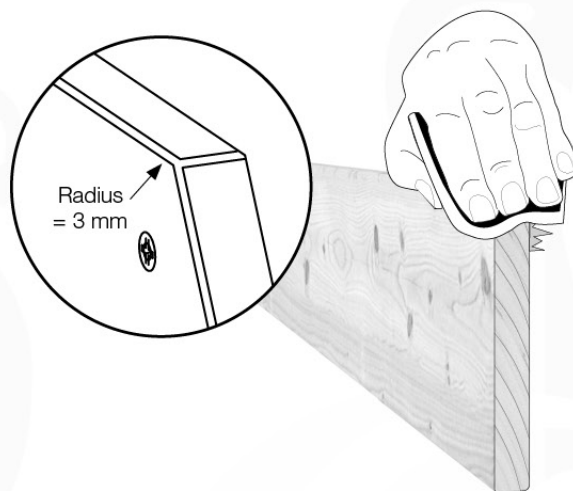
250_013



min. 35 cm



09



10

