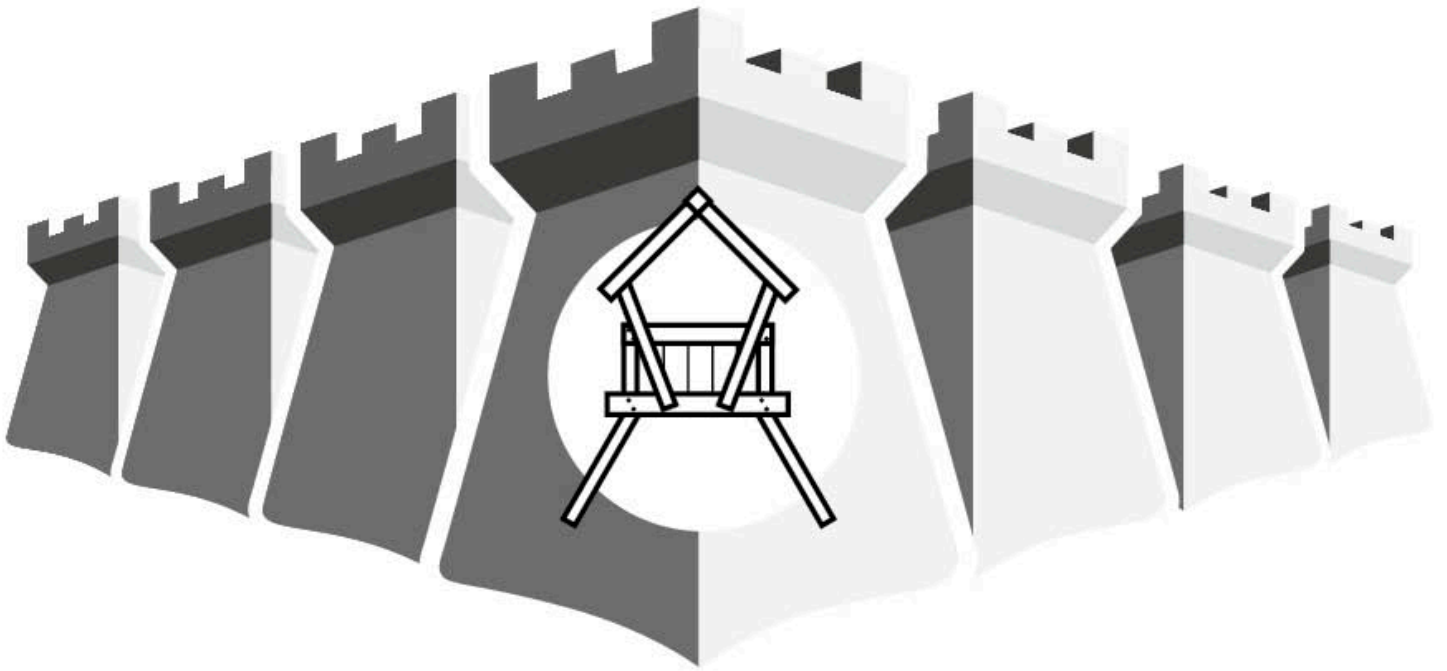
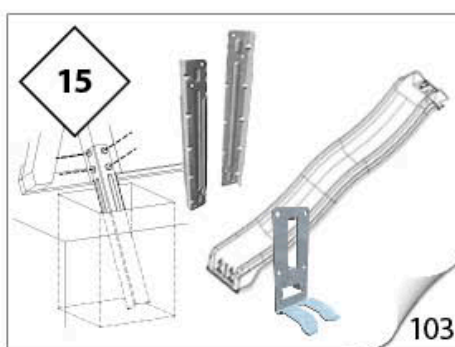
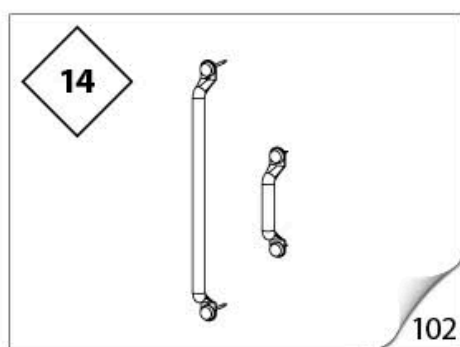
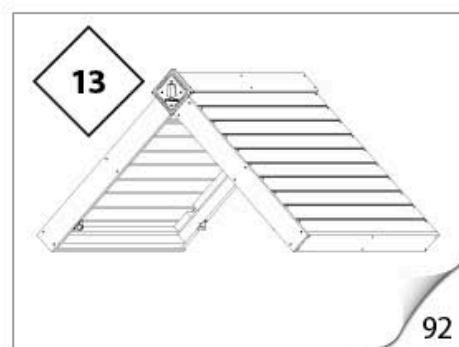
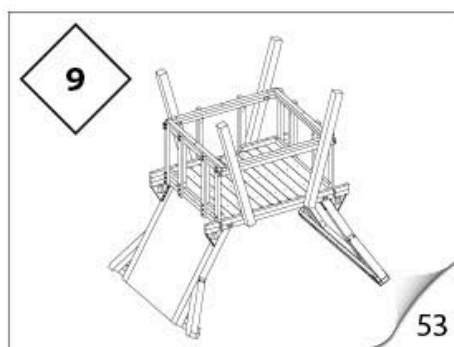
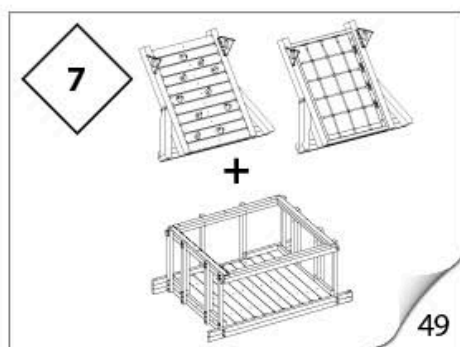
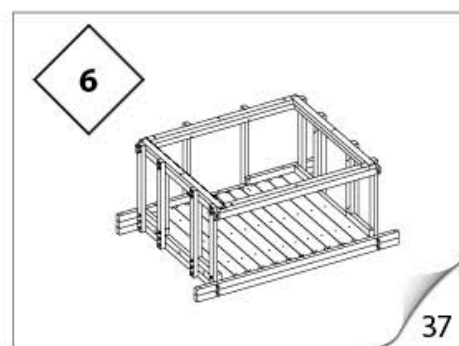
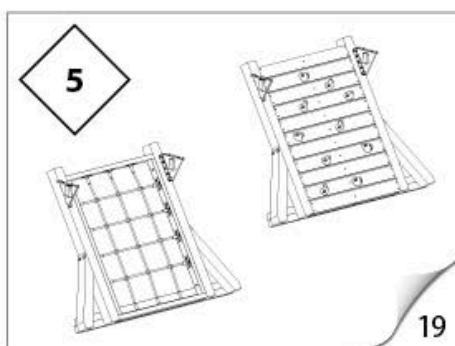
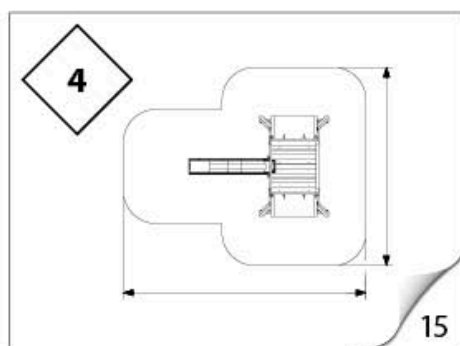
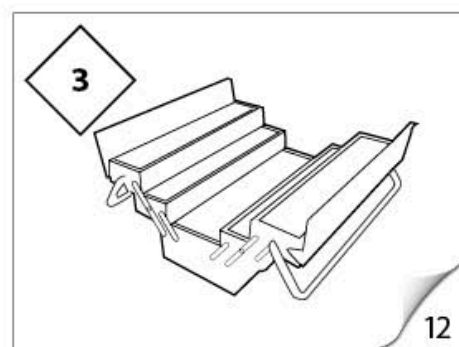
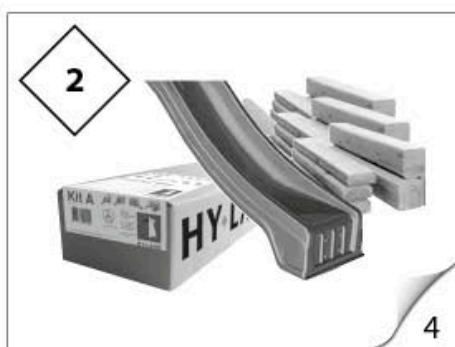
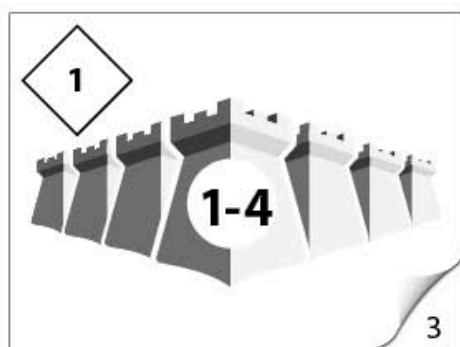


# Assembly

## Q Series



# Assembly steps



# 1

## Q1



1x

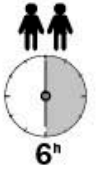


1x



1x

+



1x



1x



± 0,42 m<sup>3</sup>

## Q2



1x



1x

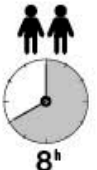


1x



1x

+



1x



1x



± 0,66 m<sup>3</sup>

## Q3



1x



2x

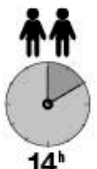


2x



1x

+



1x



1x



± 1.03 m<sup>3</sup>

## Q4



1x



2x

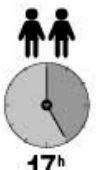


2x



1x

+



2x



2x



1x



± 1,42 m<sup>3</sup>



# Content Q-Start

14\_903\_101\_15



 <p><b>1x</b> 10_209_2071_103_24</p>		 <p><b>1x</b> 10_487_3040_202_26</p>	
 <p><b>1x</b> 10_030_5042_116_04</p>	 <p><b>1x</b> 10_209_2031_105_06</p>	 <p><b>2x</b> 11_003_3030_101_06</p>	 <p><b>1x</b> 11_001_1030_105_25</p>
 <p><b>1x</b> 10_030_5042_216_04</p>	 <p><b>6x</b> 10_032_5012_425_01</p>	 <p><b>6x</b> 10_032_5013_225_01</p>	 <p><b>1x</b> 10_026_5041_215_01</p>
 <p><b>1x</b> 10_032_5013_425_01</p>	 <p><b>3x</b> 11_207_1010_101_04</p>	 <p><b>2x</b> 10_030_5071_110_01</p>	 <p><b>10x</b> 10_205_2030_000_04</p>
 <p><b>1x</b> 11_002_1010_404_25</p>			

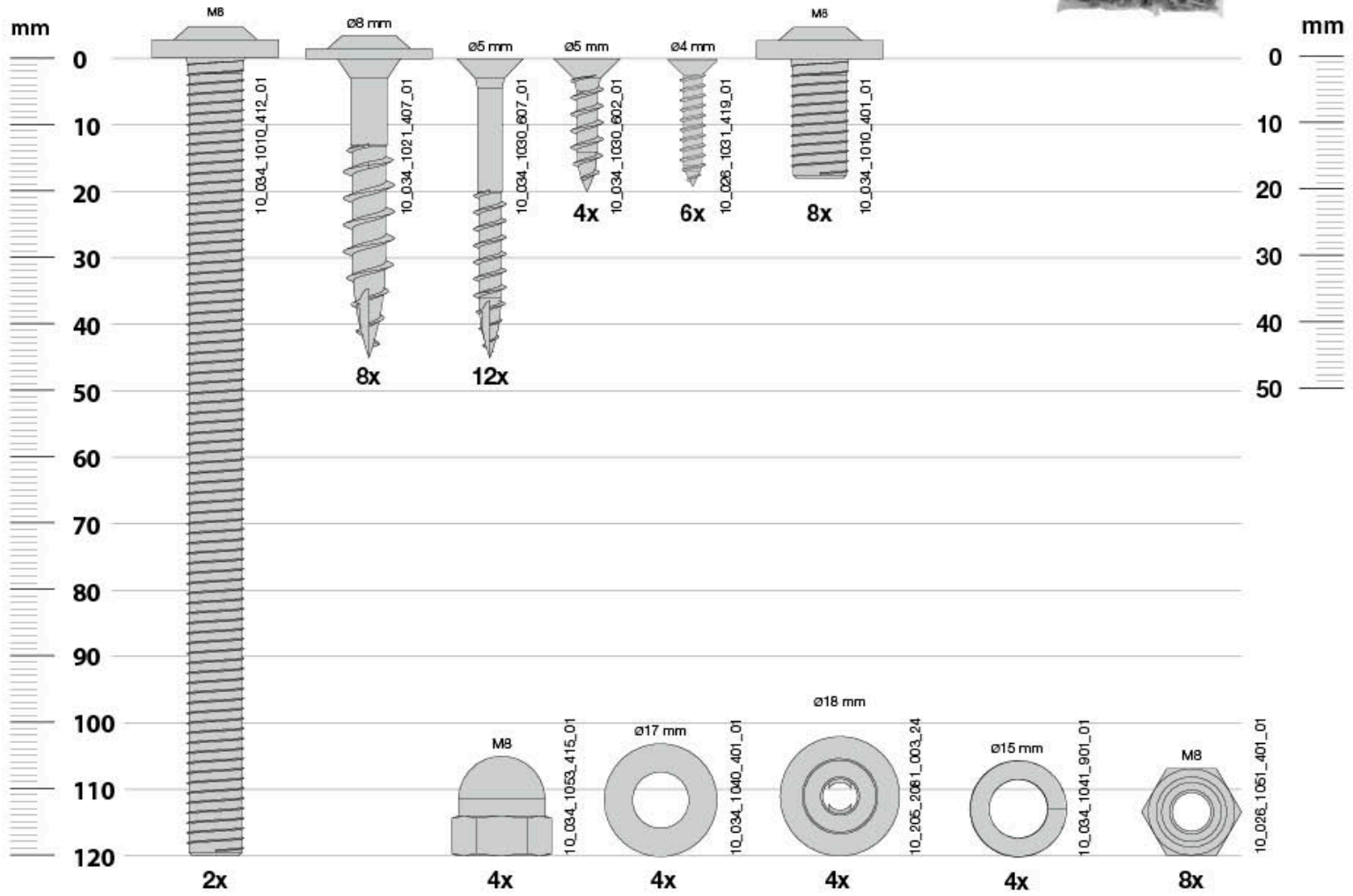
## Tools

11\_002\_1010\_203\_25



# Hardware





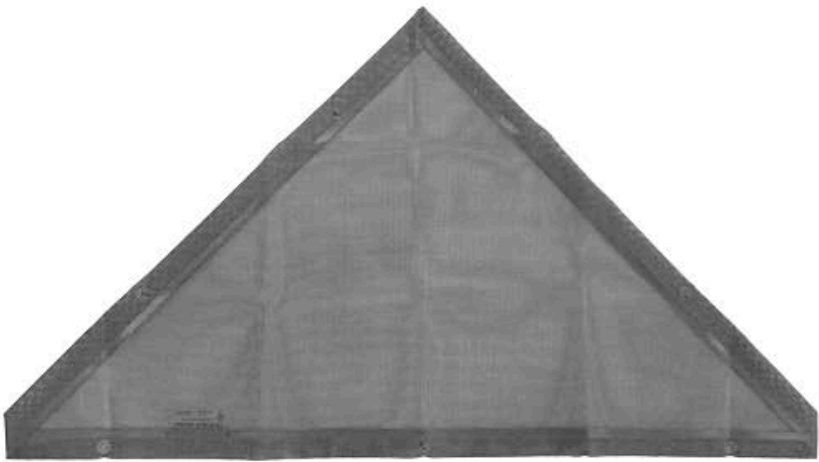


11\_001\_1030\_105\_25





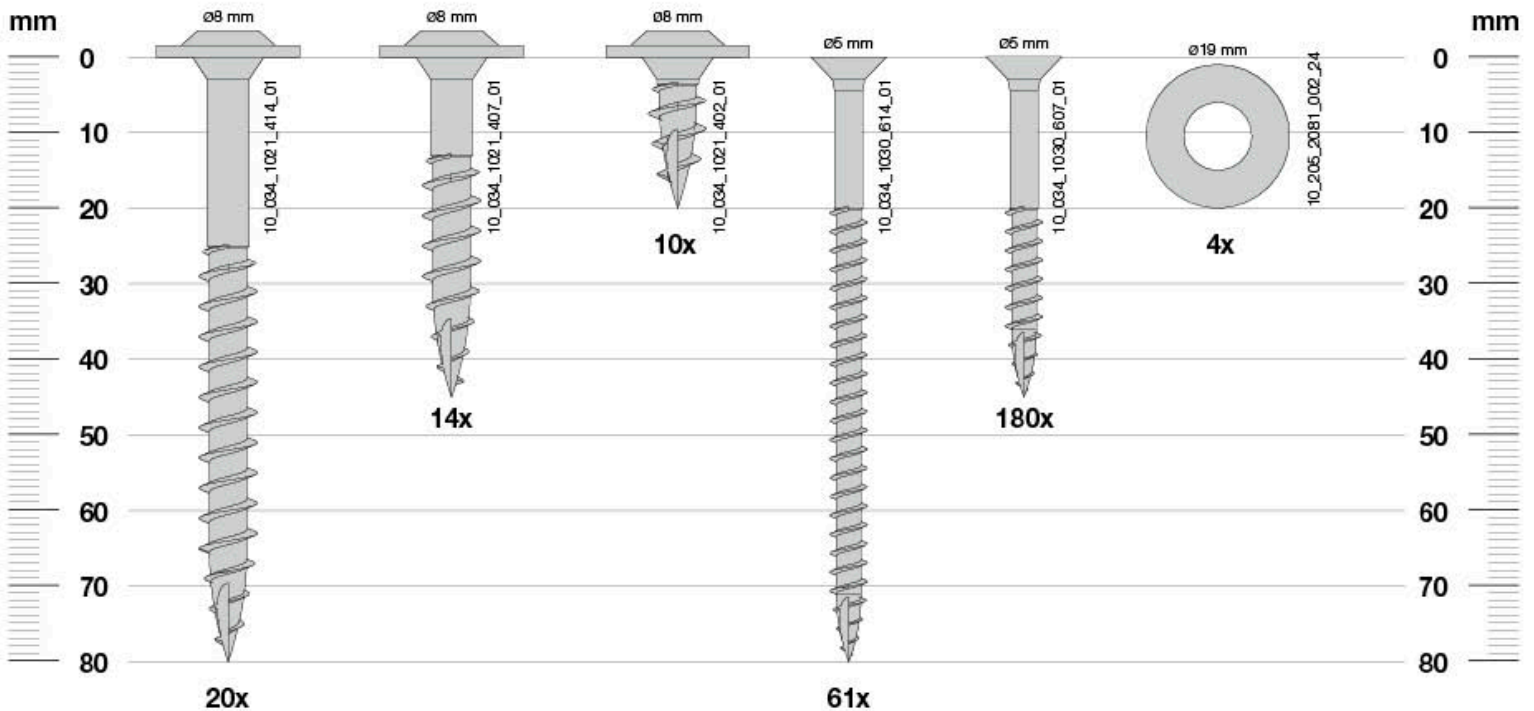
# Content Q-Roof

14\_001\_101\_30

 <p><b>1x</b> 10_467_3010_404_26</p>		 <p><b>2x</b> 10_030_5011_001_04</p>
 <p><b>2x</b> 10_201_2075_405_04</p>	 <p><b>20x</b> 10_205_2030_000_04</p> <p><b>1x</b> 11_207_1010_301_04</p>	 <p><b>2x</b> 11_203_1051_101_04</p>
 <p><b>4x</b> 10_030_5010_000_04</p>	 <p><b>1x</b> 11_001_1010_420_25</p>	

## Hardware

11\_001\_1010\_420\_25





# Content Q-Box

14\_001\_101\_15

 <p><b>56x</b> 10_205_2030_000_04</p> <p><b>1x</b> 11_207_1010_601_04</p>	 <p><b>1x</b> 10_467_3010_401_26</p>  <p><b>1x</b> 11_001_1010_405_25</p>
--	---



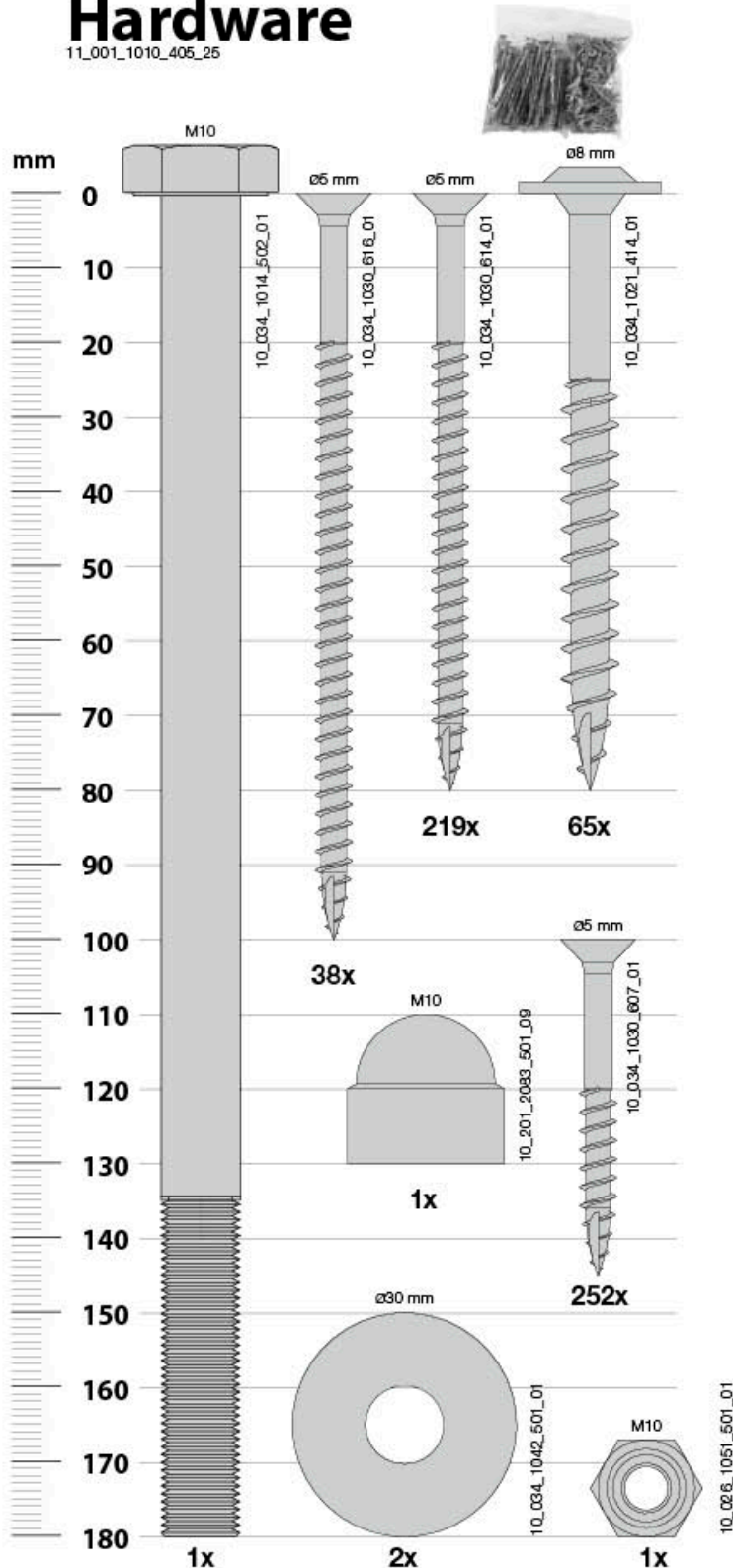
# Content Q-Bridge

14\_001\_101\_35

 <p><b>1x</b> 10_467_3010_405_26</p>	 <p><b>1x</b> 11_001_1010_425_25</p>
---	---

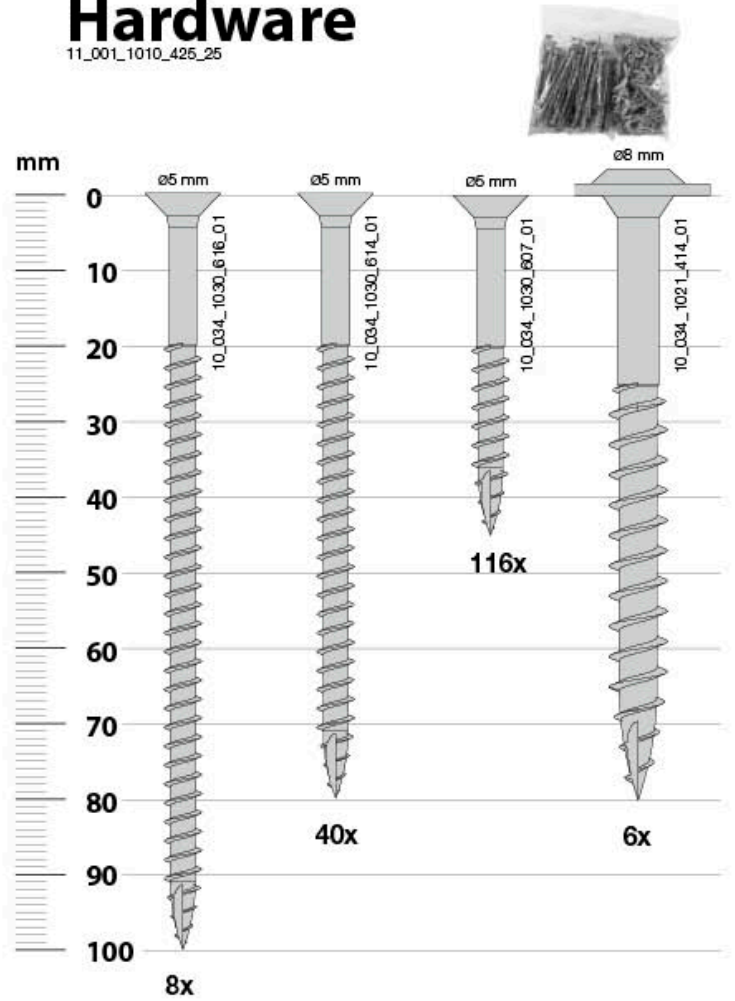
## Hardware

11\_001\_1010\_405\_25



## Hardware

11\_001\_1010\_425\_25



# 2.1e

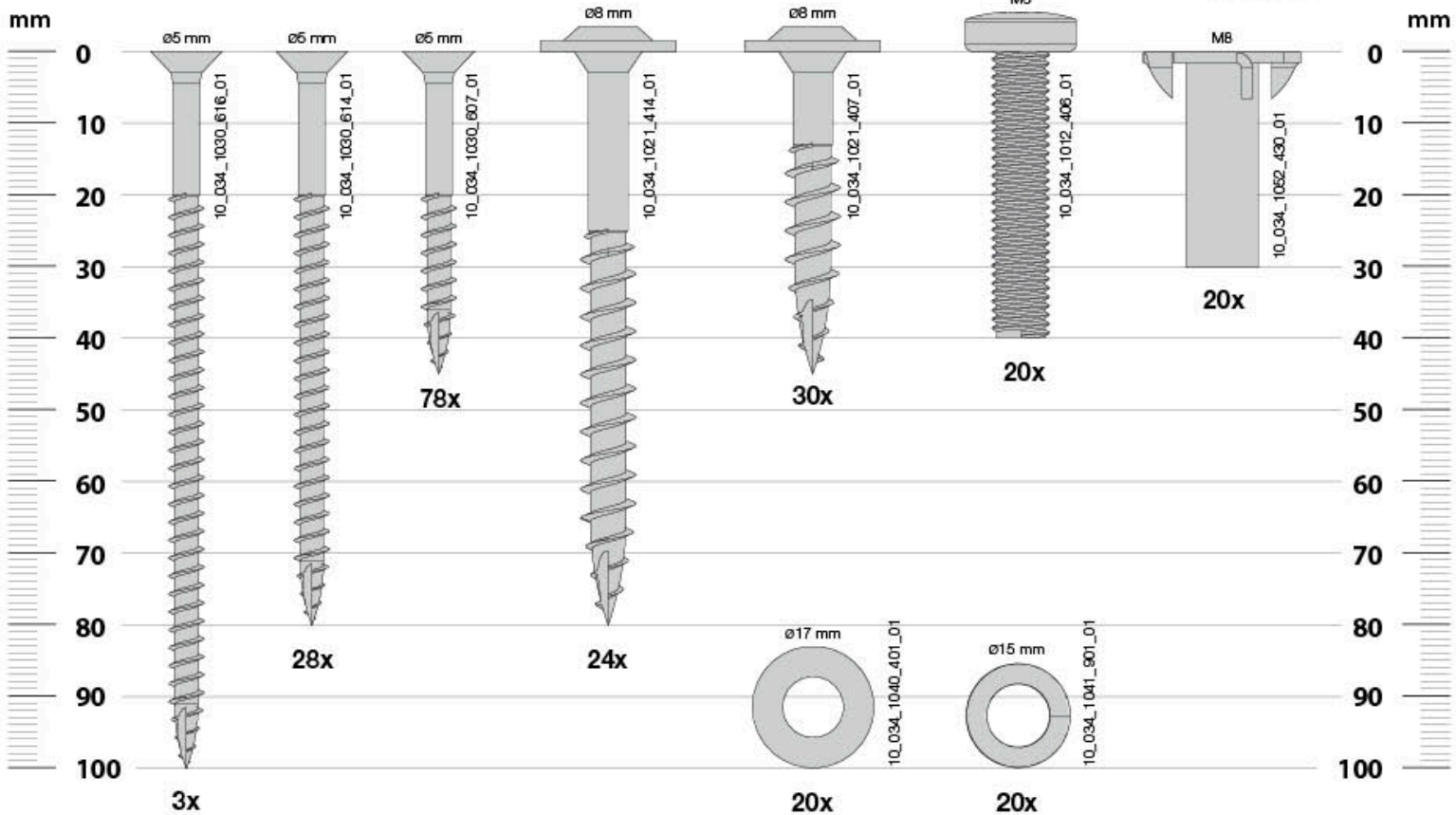
# Content Q-Rock

14\_001\_101\_20

 <p><b>1x</b> 10_467_3010_402_26</p>		 <p><b>2x</b> 11_003_3030_202_06</p>		
 <p><b>1x</b> 10_030_5051_125_04</p>	 <p><b>1x</b> 10_030_5051_225_04</p>	 <p><b>1x</b> 10_030_5051_230_04</p>	 <p><b>1x</b> 10_030_5051_130_04</p>	 <p><b>1x</b> 11_001_1010_410_25</p>
 <p><b>3x</b> 10_217_2050_300_04</p>	 <p><b>3x</b> 10_217_2050_200_04</p>	 <p><b>4x</b> 10_217_2050_100_04</p>	 <p><b>36x</b> 10_205_2030_000_04</p>	 <p><b>1x</b> 11_207_1010_401_04</p>

## Hardware

11\_001\_1010\_410\_25














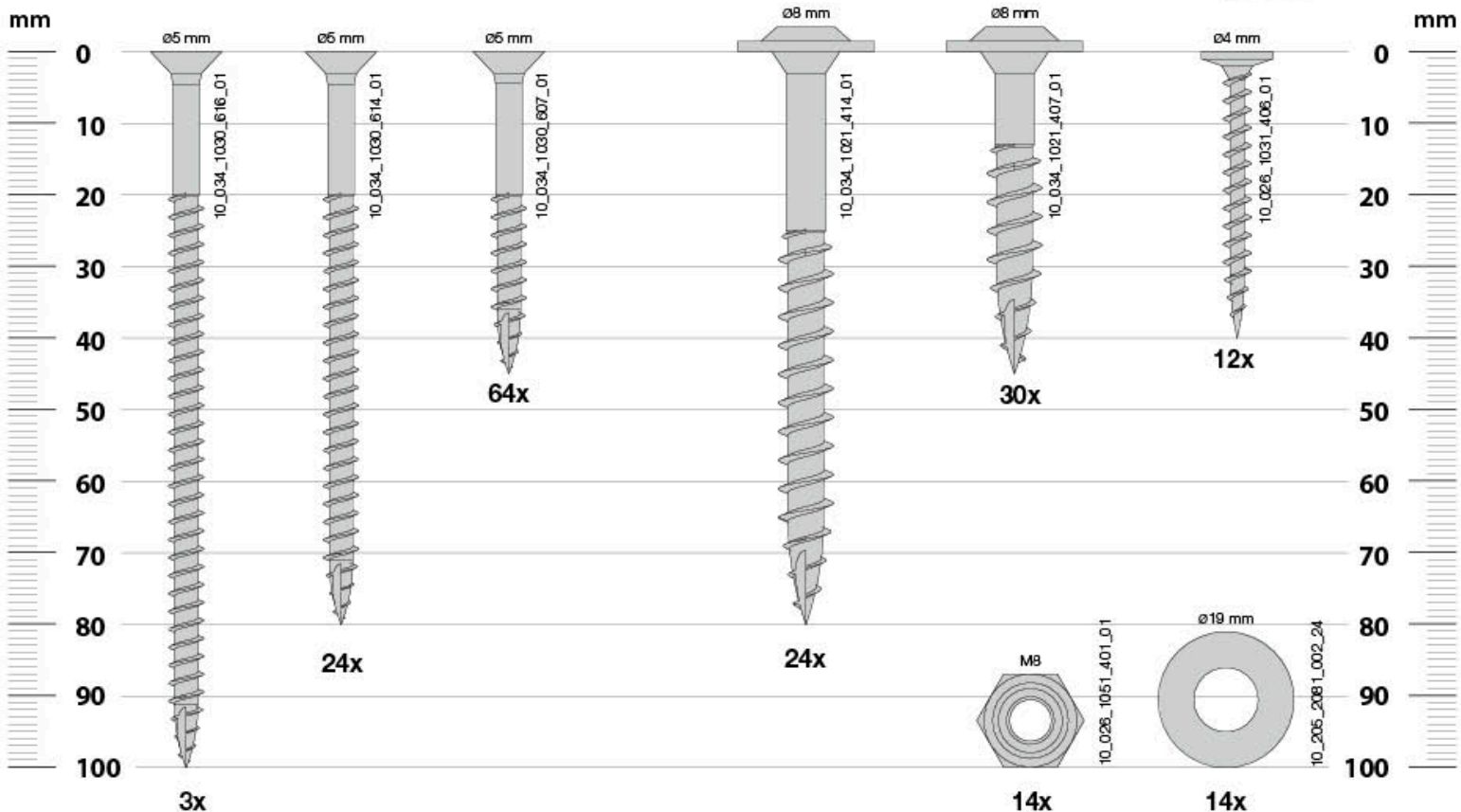
# Content Q-Net

14\_001\_101\_25

 <p><b>1x</b> 10_467_3010_403_26</p>		 <p><b>14x</b> 10_030_5051_235_04</p>		 <p><b>1x</b> 11_207_1090_201_25</p>	
 <p><b>2x</b> 11_003_3030_202_06</p>		 <p><b>1x</b> 11_001_1010_415_25</p>			
 <p><b>1x</b> 10_030_5051_125_04</p>	 <p><b>1x</b> 10_030_5051_225_04</p>	 <p><b>36x</b> 10_205_2030_002_04</p> <p><b>1x</b> 11_207_1010_401_04</p>		 <p><b>1x</b> 10_030_5051_230_04</p>	 <p><b>1x</b> 10_030_5051_130_04</p>

## Hardware

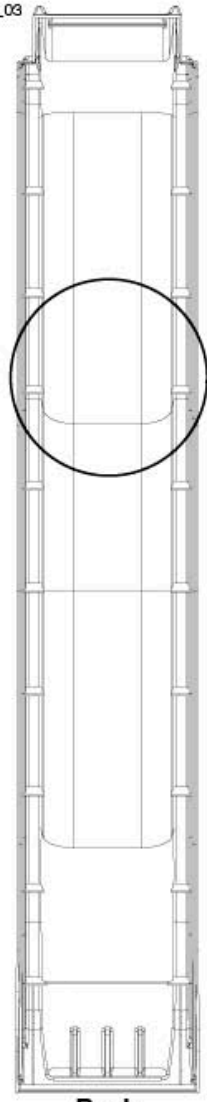
11\_001\_1010\_415\_25



2.2a

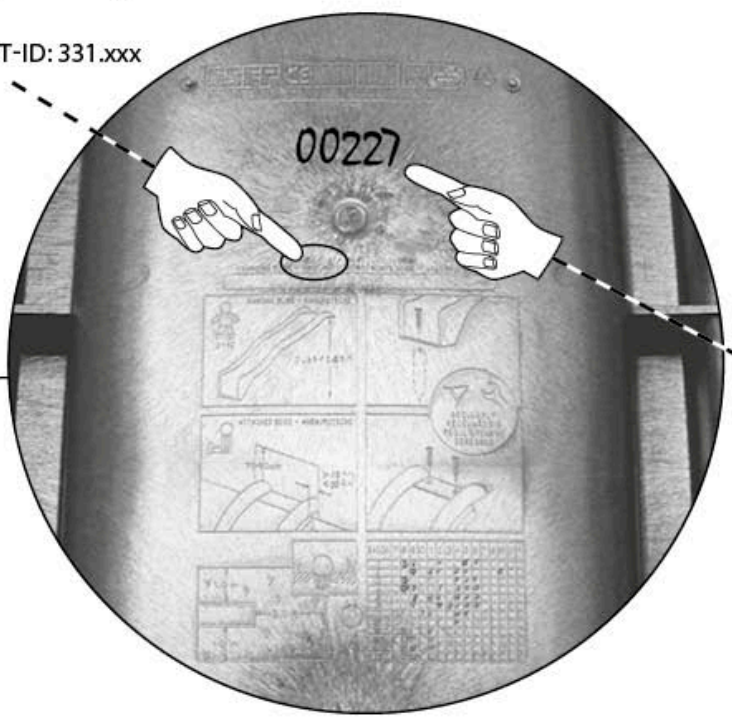
# Hy-Slide Polyethylene

14\_906\_301\_03

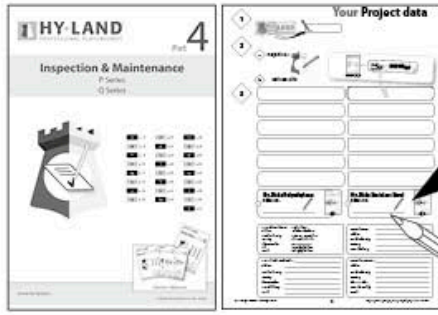


Back

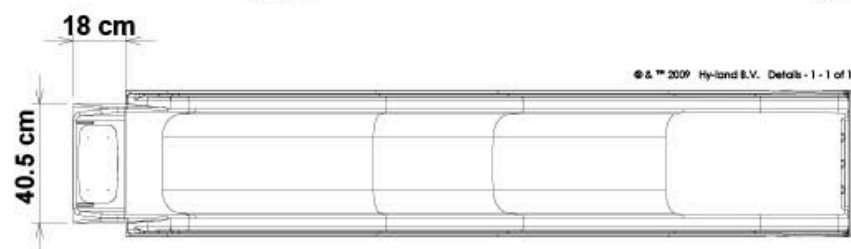
PART-ID: 331.xxx



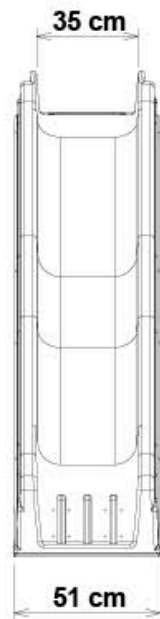
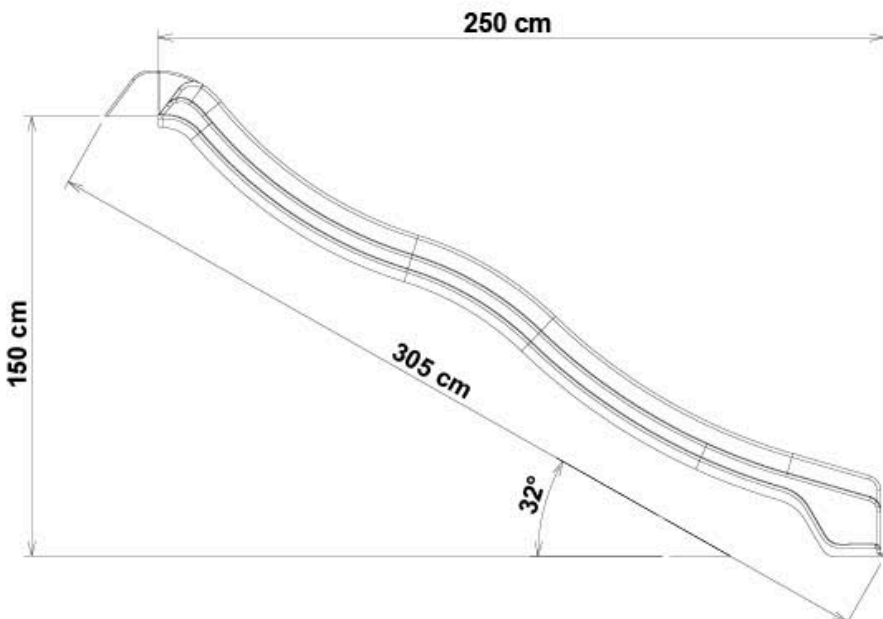
SERIAL NO.



10\_460\_0819\_106\_26



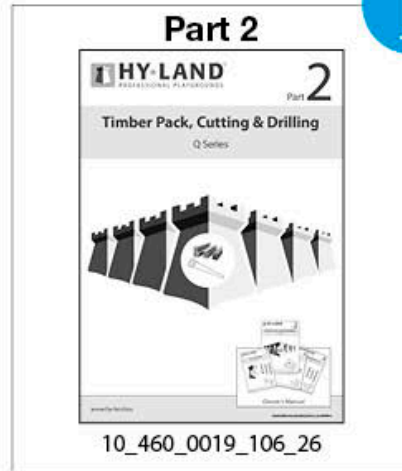
© & ™ 2009 Hy-land B.V. Details - 1 - 1 of 1





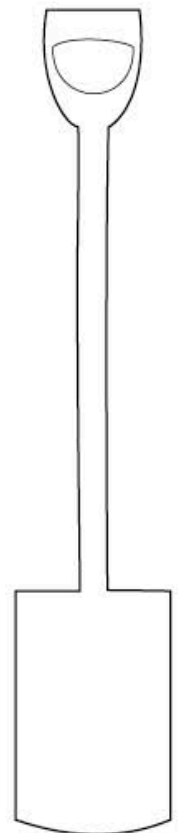
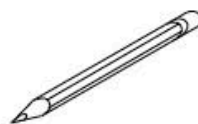
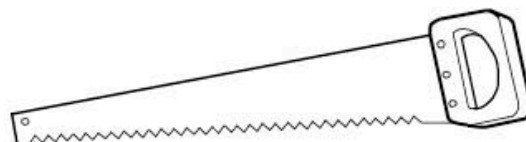
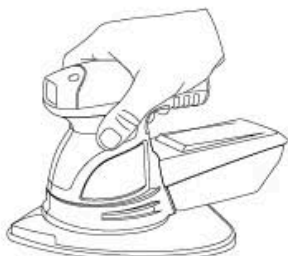
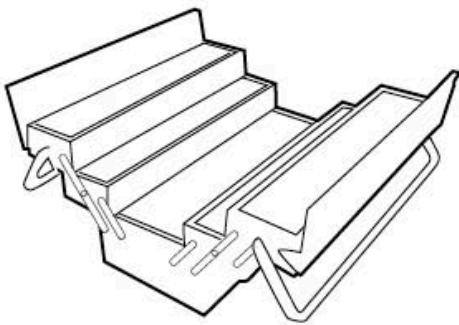
2.3

# Timber

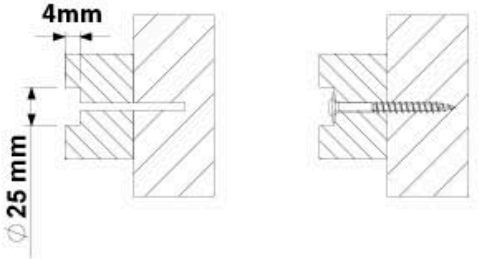
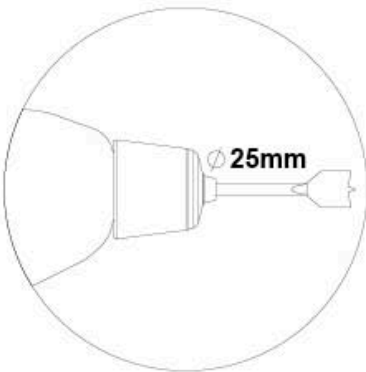
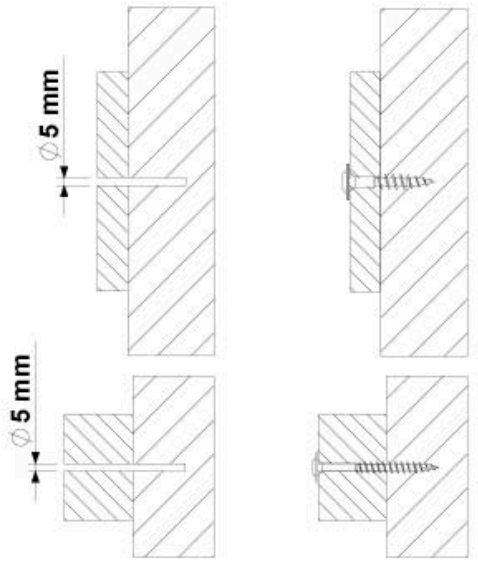
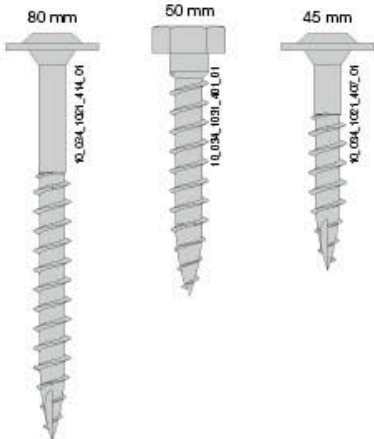
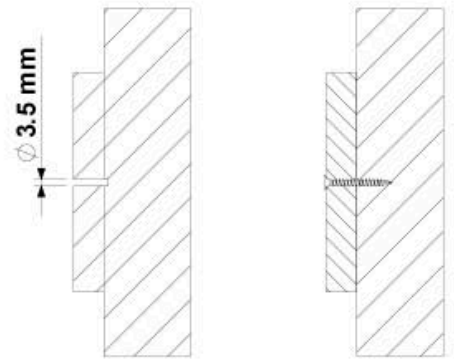
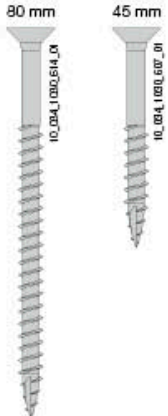


3.1

# Tools



**3.2**

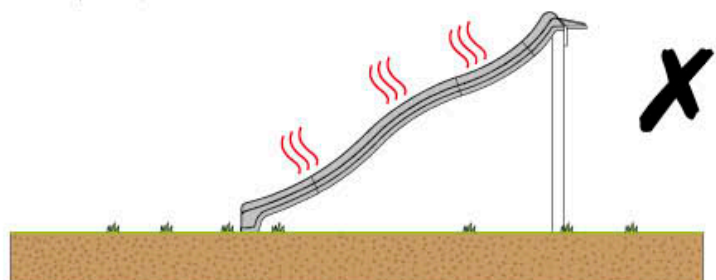
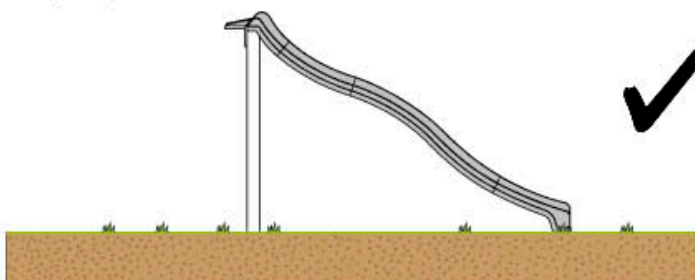
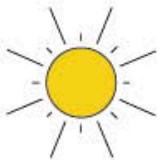
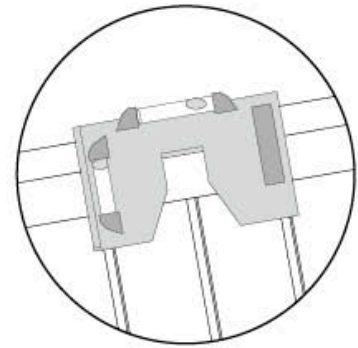
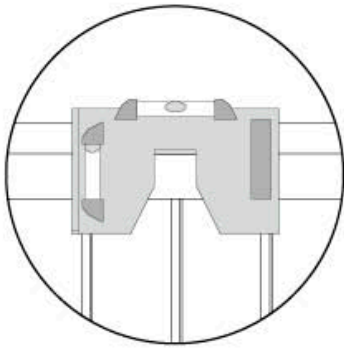
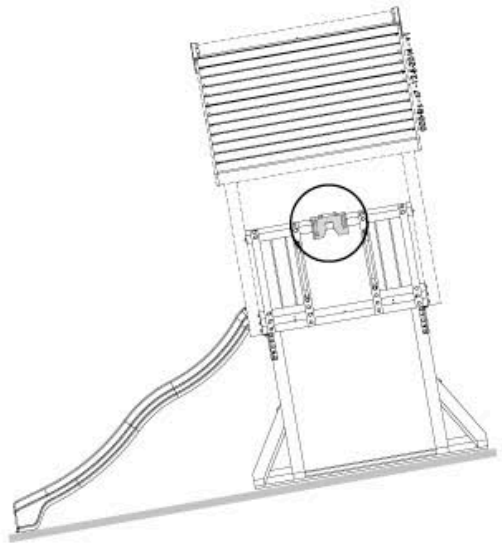
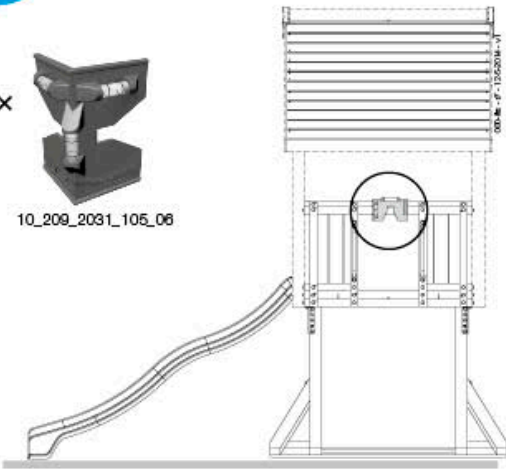




1x

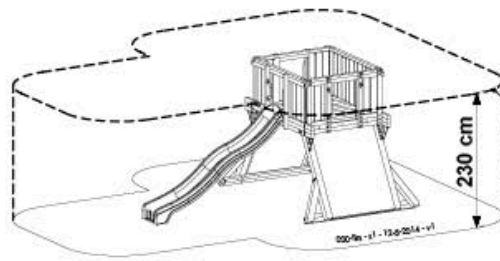


10\_209\_2031\_105\_06



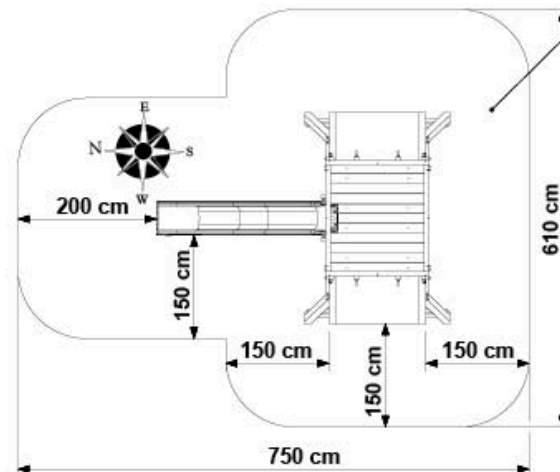
4

Q1

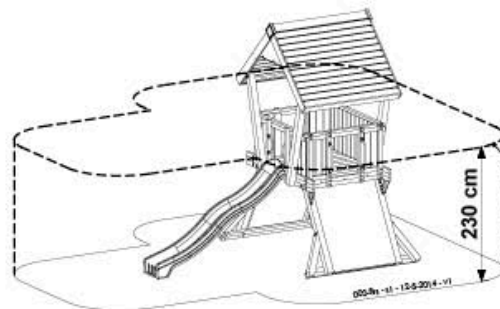


**Part 1**

4

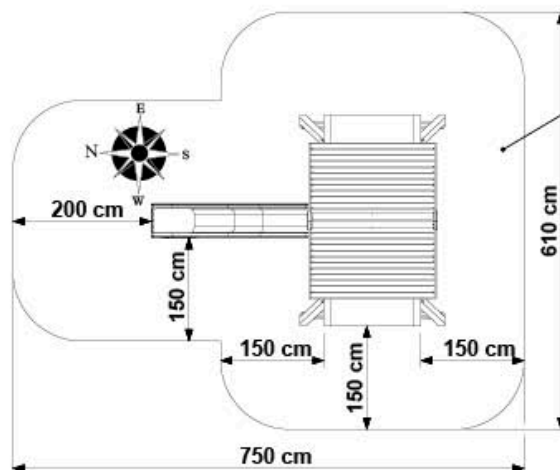


Q2



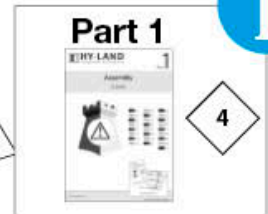
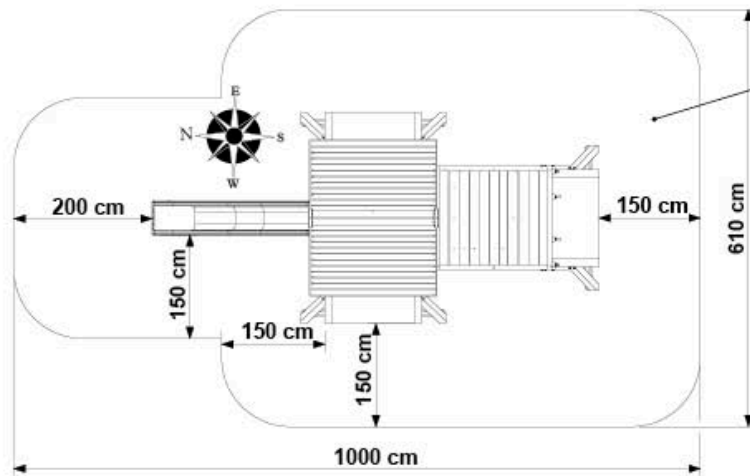
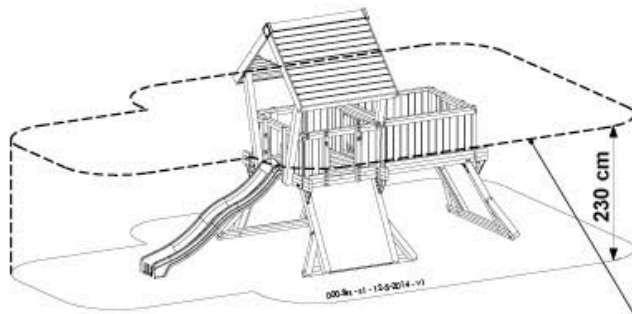
**Part 1**

4



4

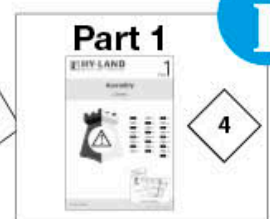
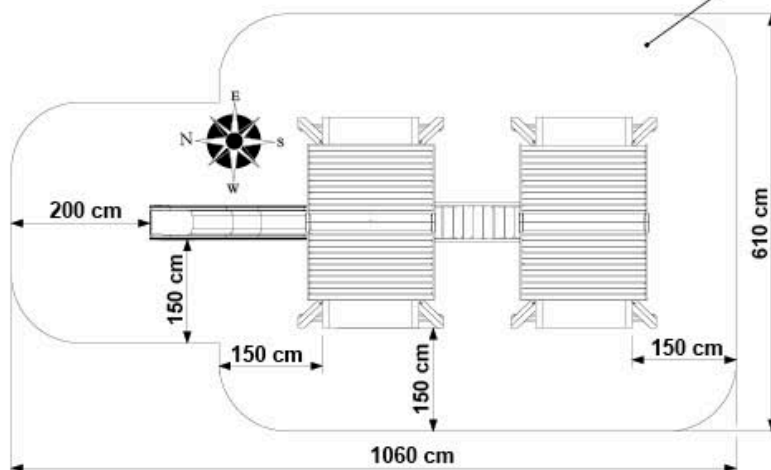
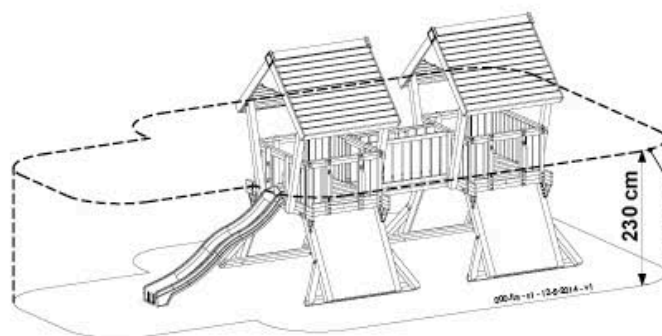
Q3



i

4

Q4

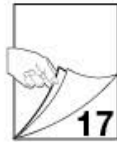
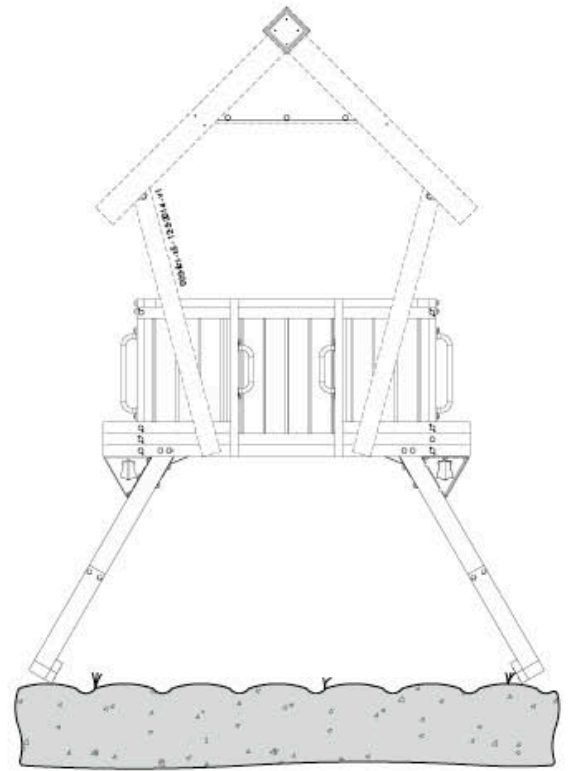
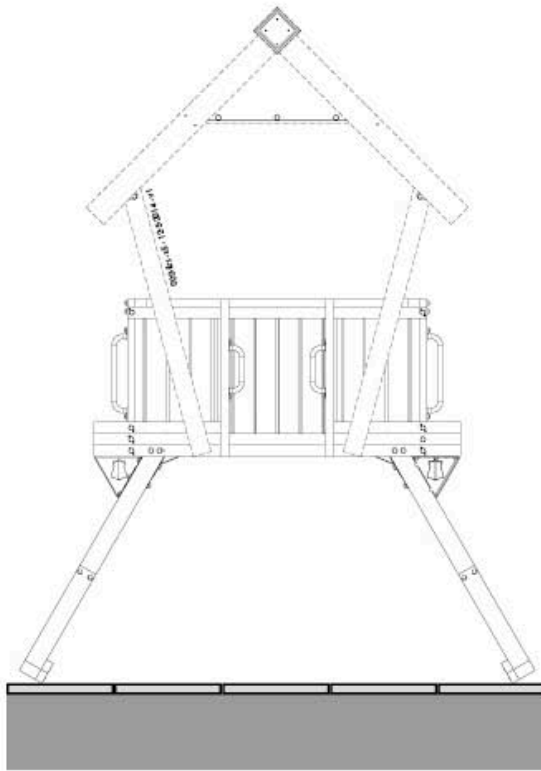


i

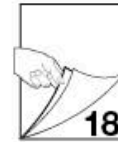
4



4.1

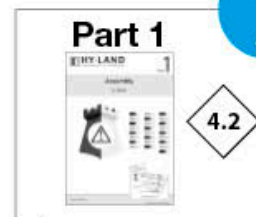
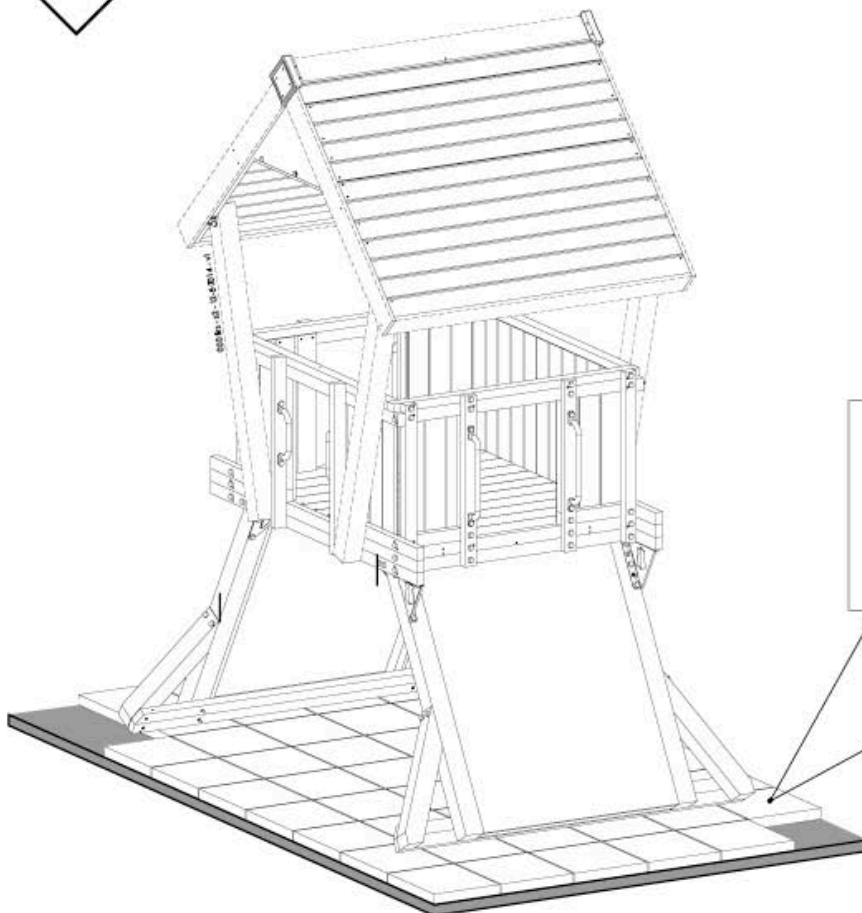


4.2

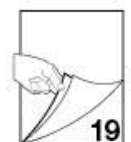


4.3

4.2

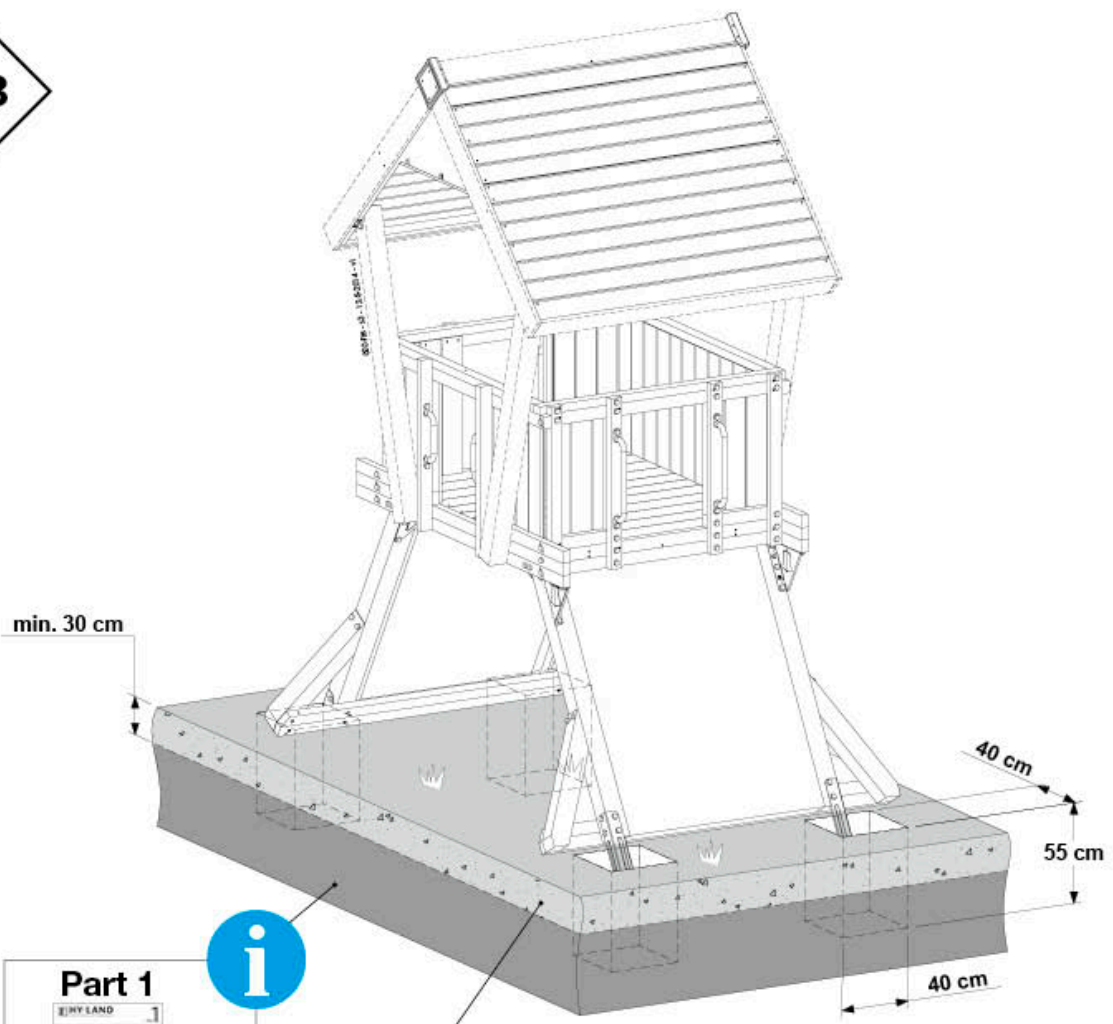


EN 1176:2017



5

4.3



**i**

**Part 1**

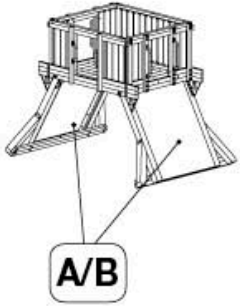
4.3

This block contains an information icon (a lowercase 'i' in a blue circle) and a thumbnail of a manual page. The manual page is titled 'Part 1' and features a warning symbol (a triangle with an exclamation mark) and the number '4.3'. A line connects the information icon to the warning symbol in the manual thumbnail.

  
EN 1176:2017

5

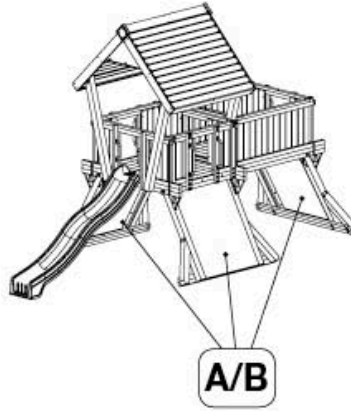
Q1



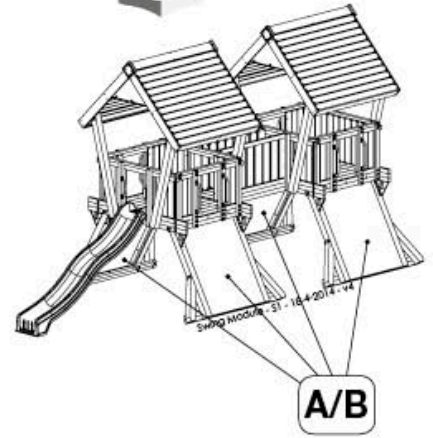
Q2



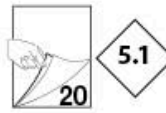
Q3



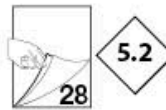
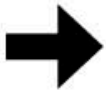
Q4



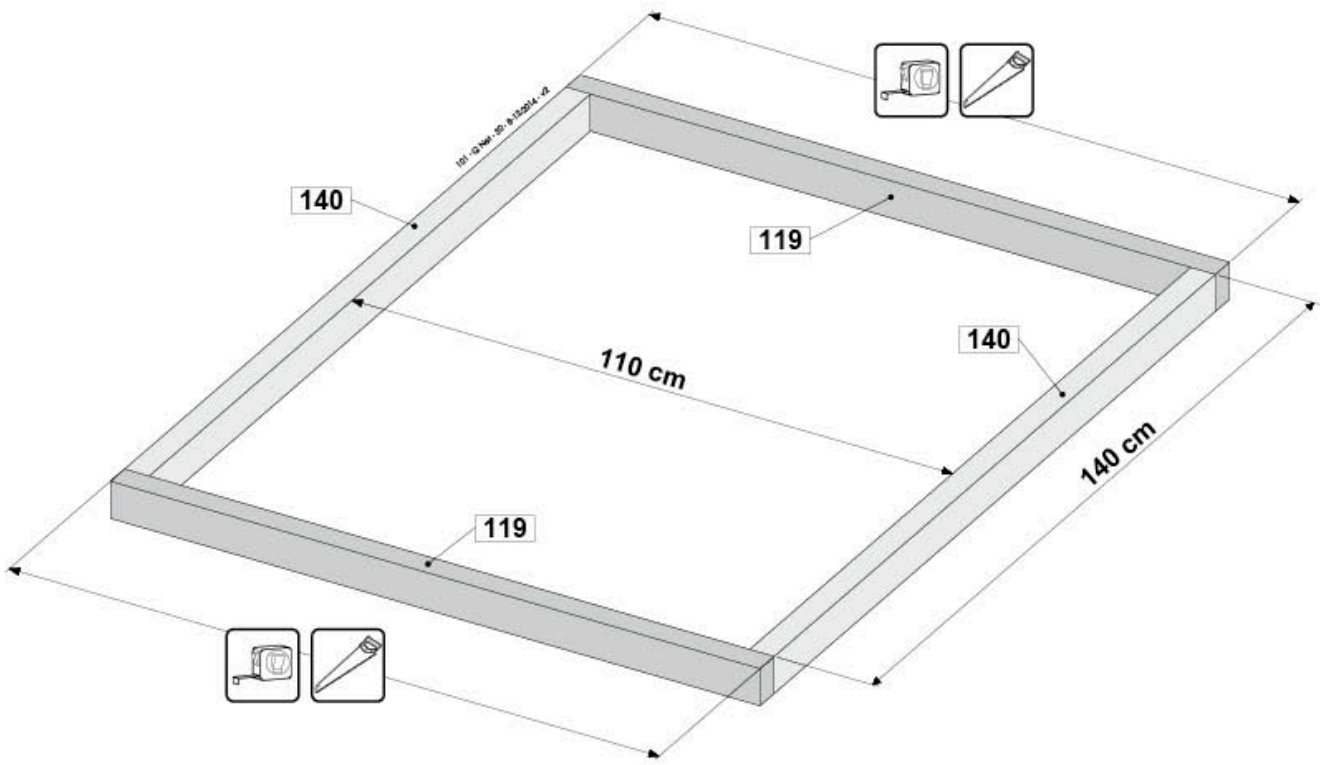
A



B

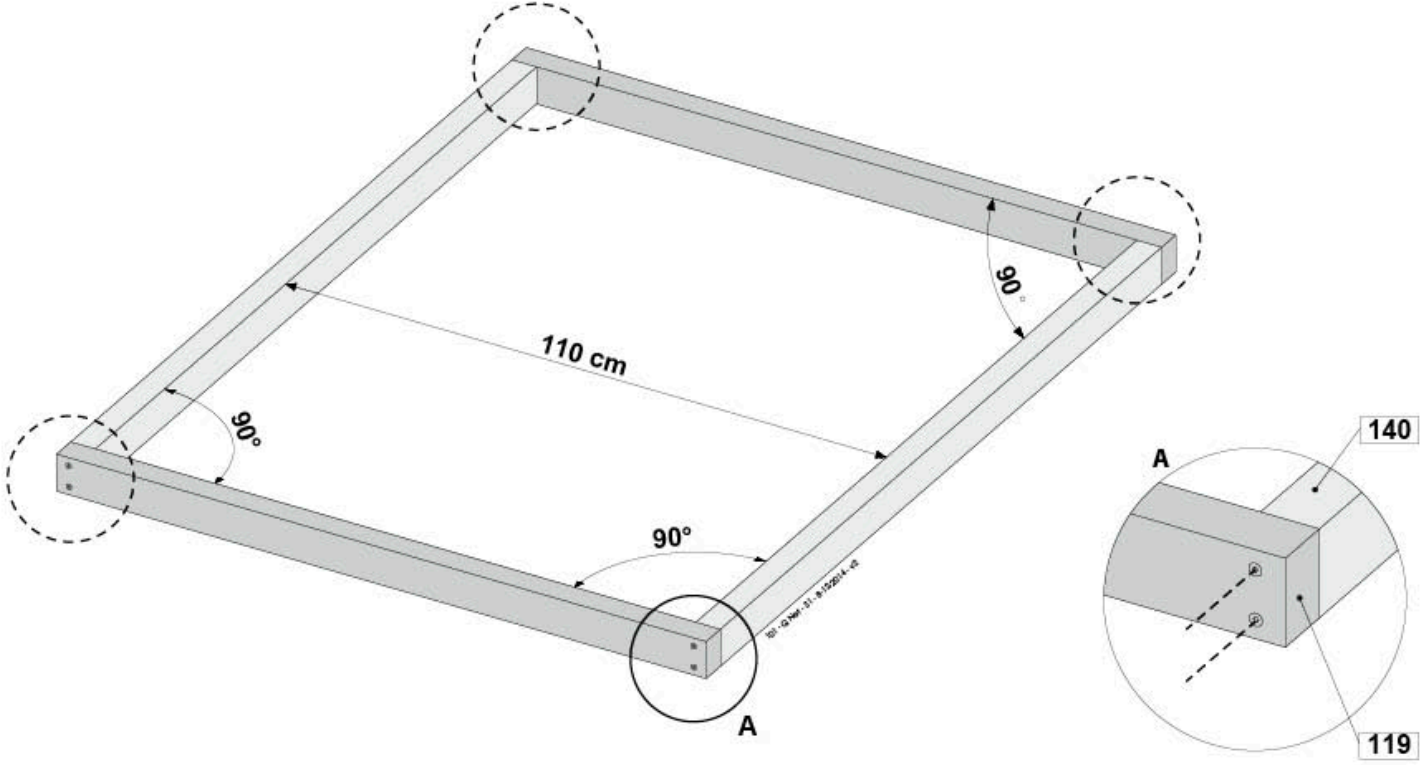


5.1a

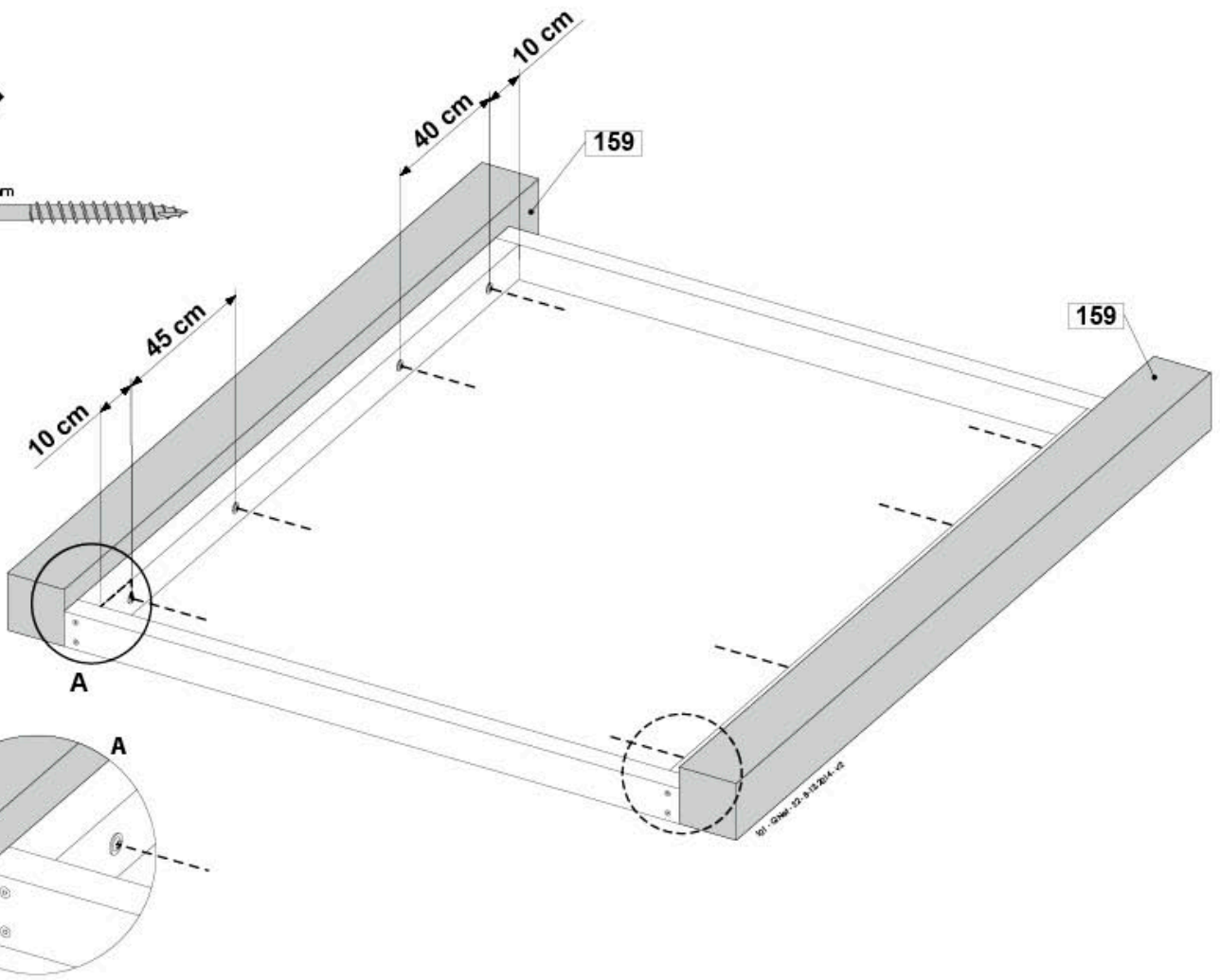
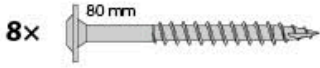


5.1b

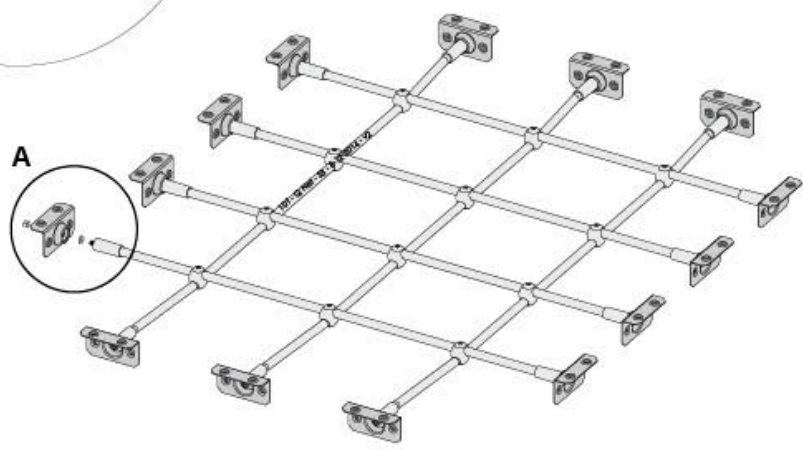
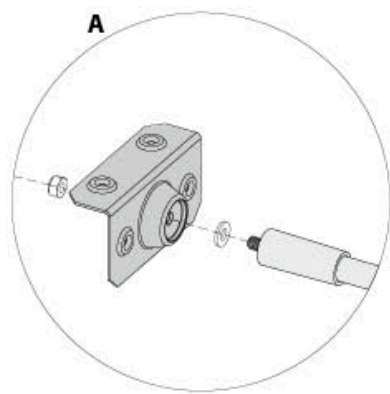
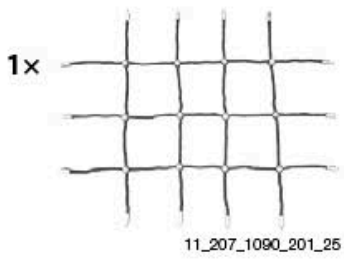
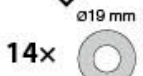
8x 80 mm



# 5.1c

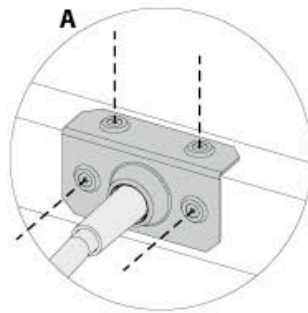
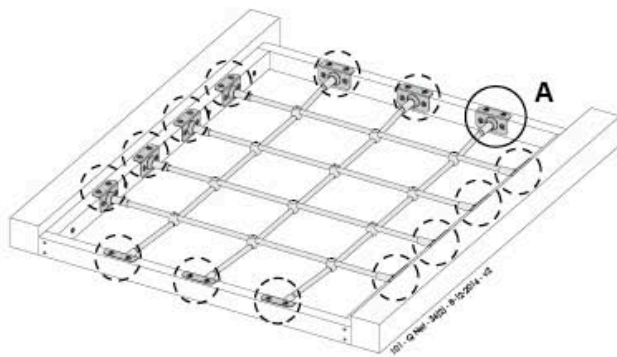
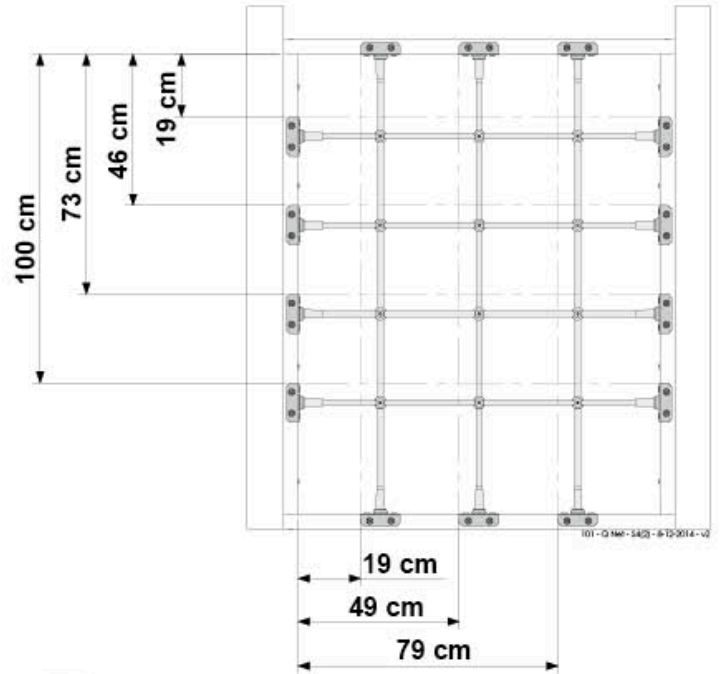
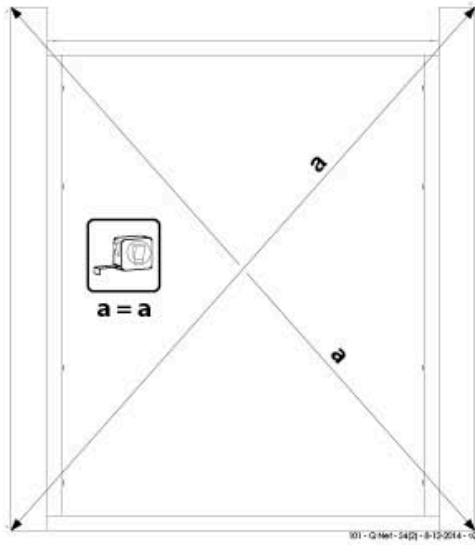


# 5.1d

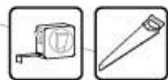
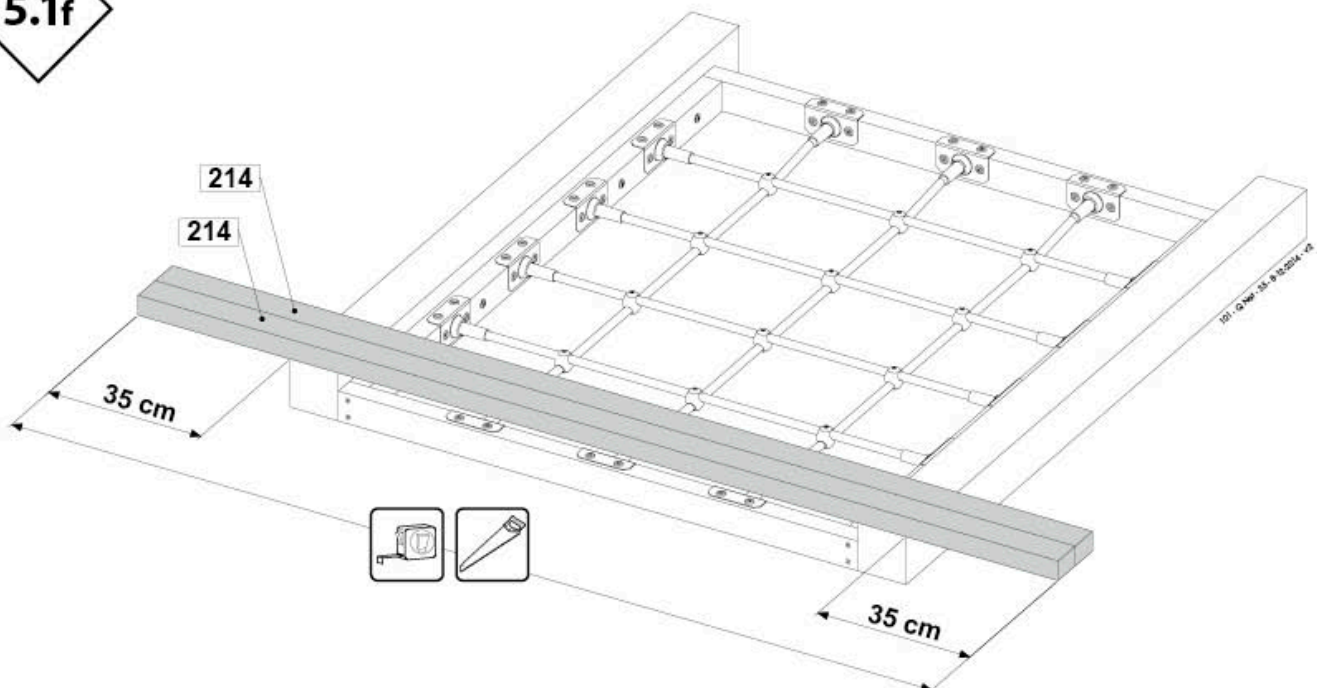


# 5.1e

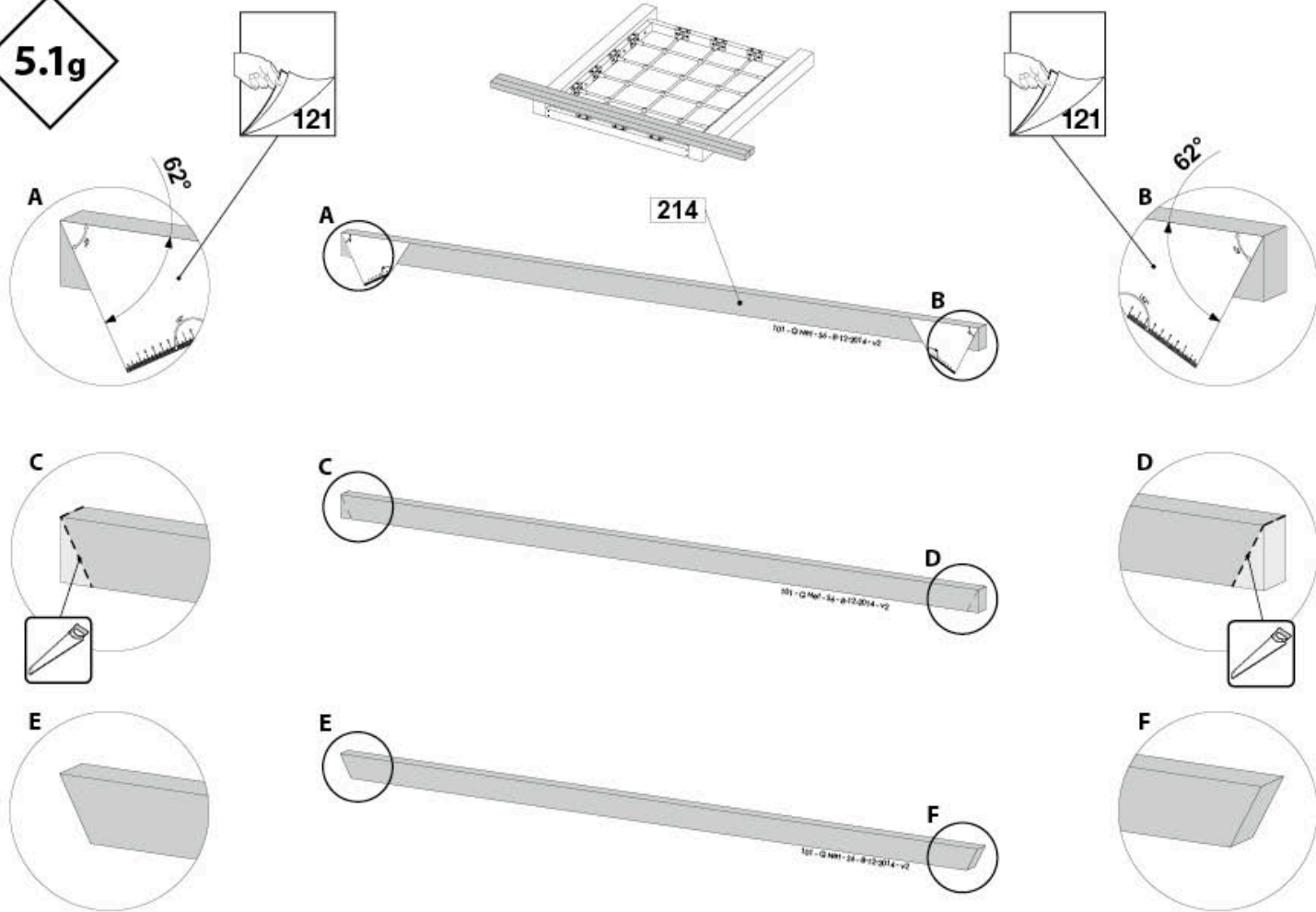
56x 45 mm 



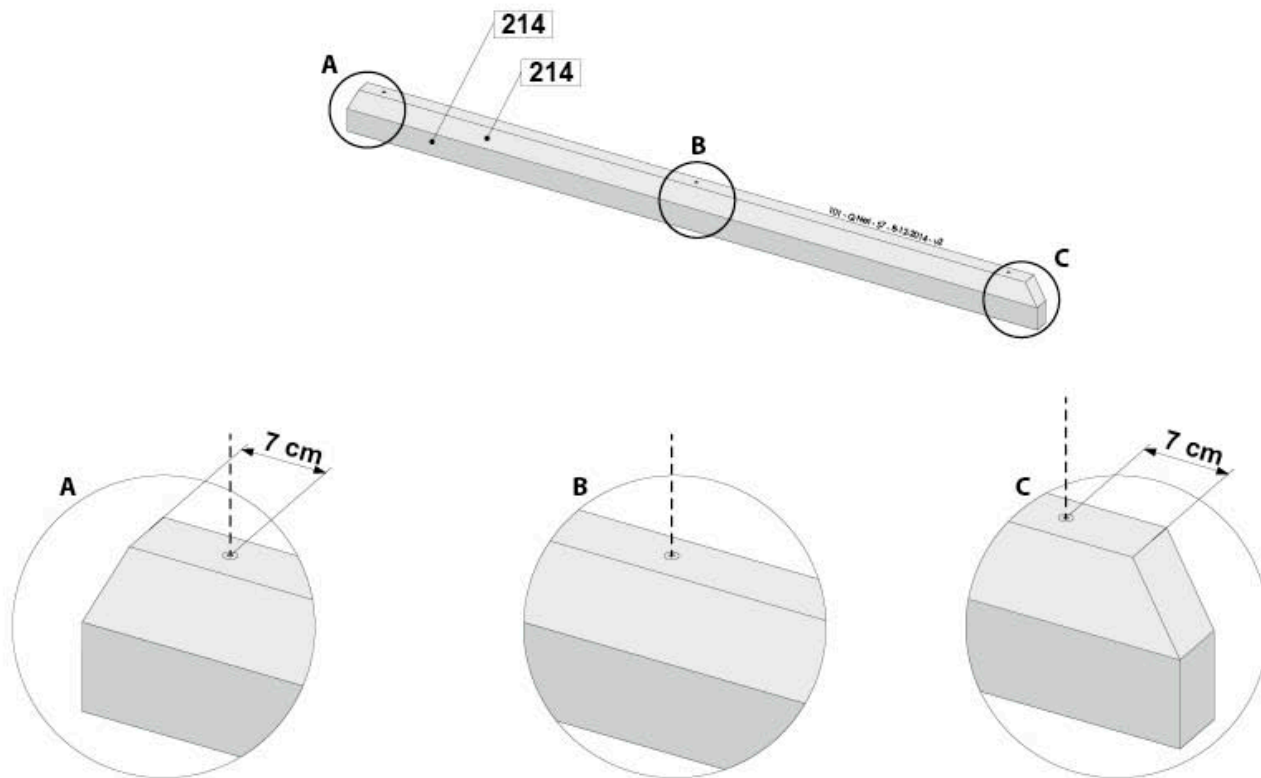
# 5.1f



**5.1g**

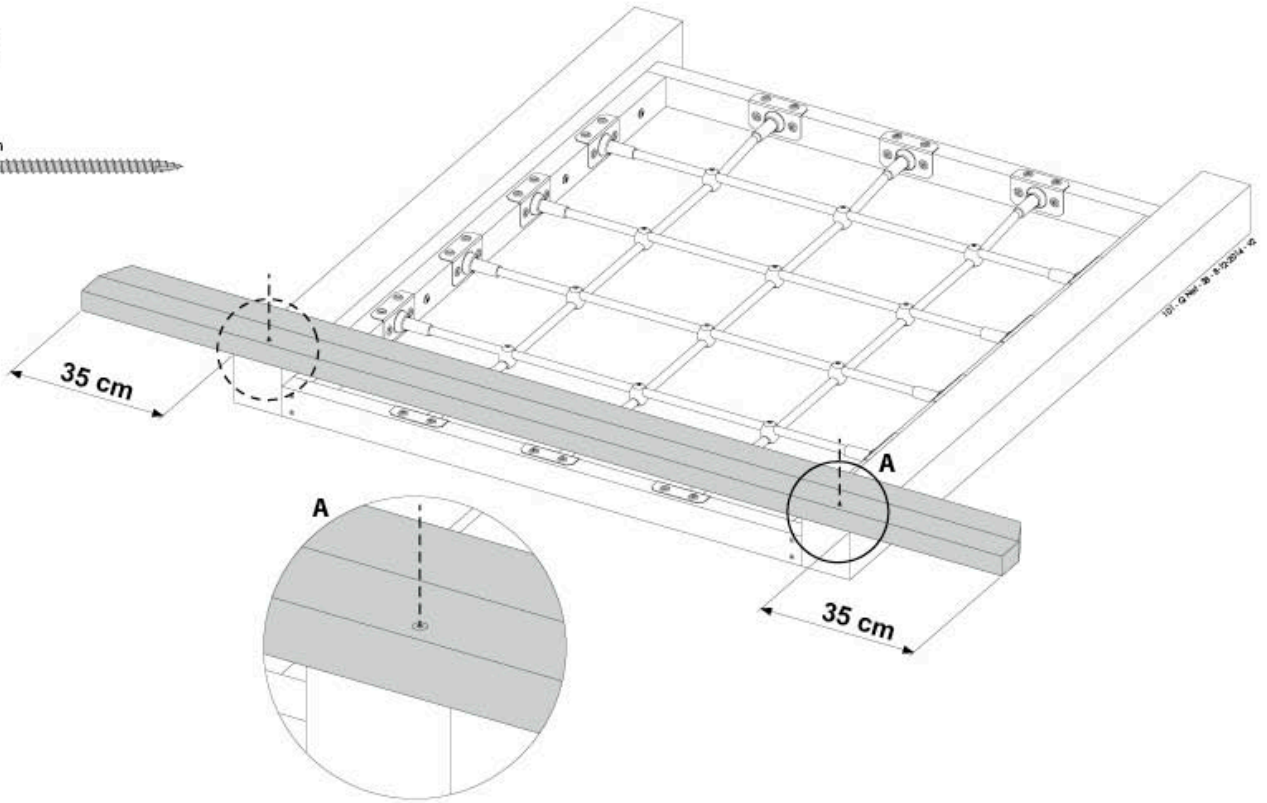


**5.1h**




**5.1i**

2x 80 mm

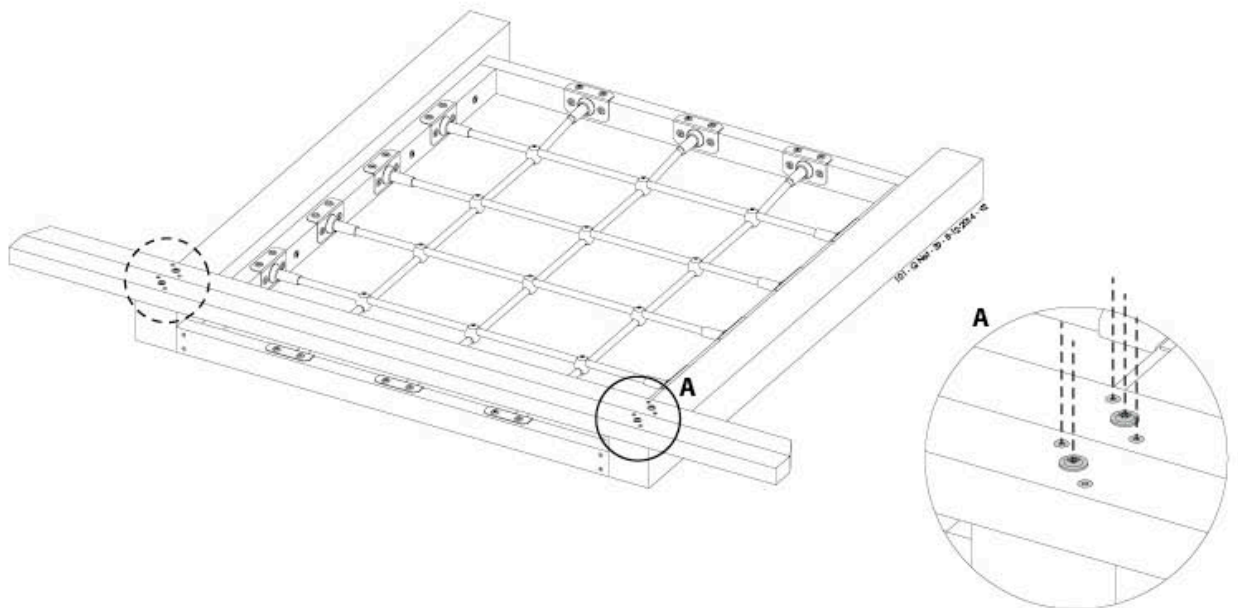
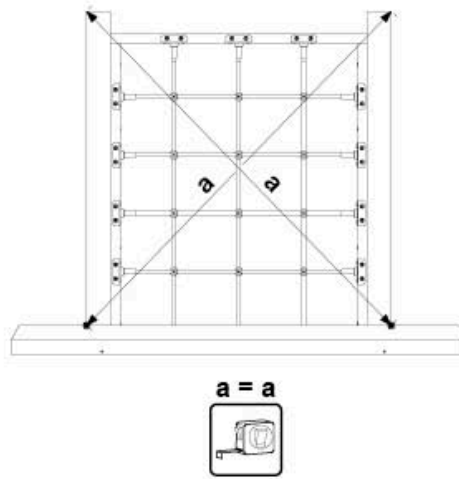



**5.1j**

4x 80 mm



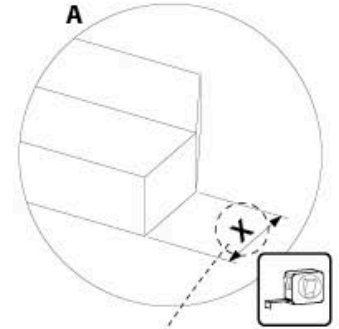
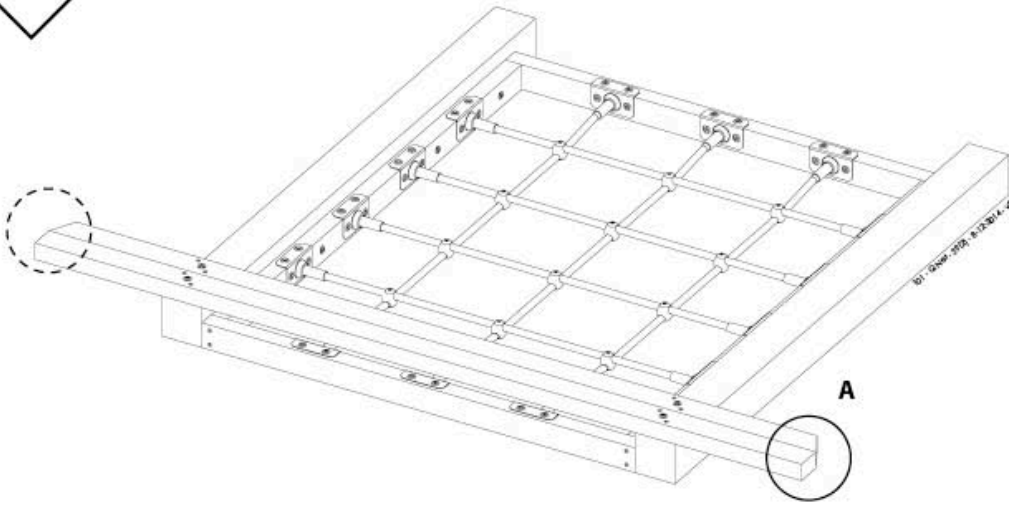
6x 80 mm

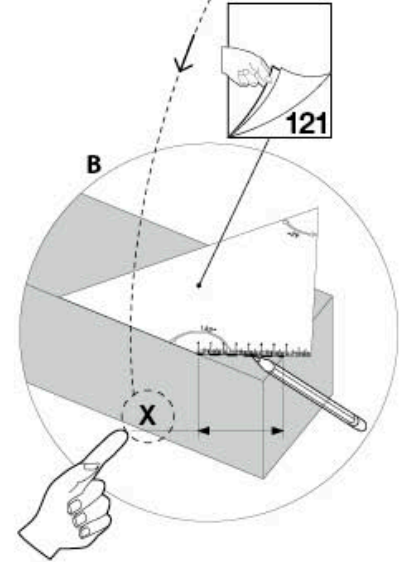
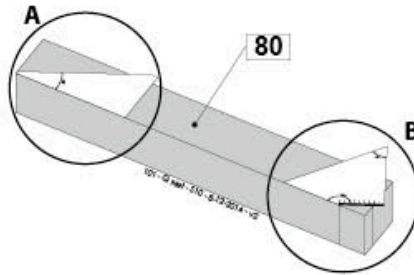
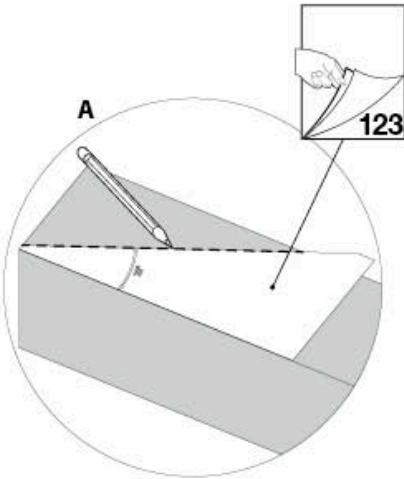


**5.1k**

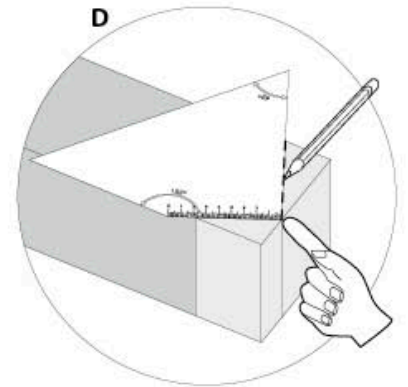
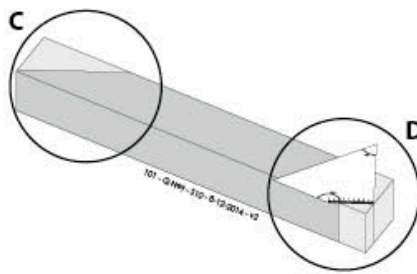
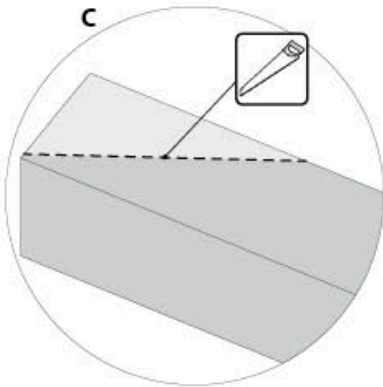
**1**



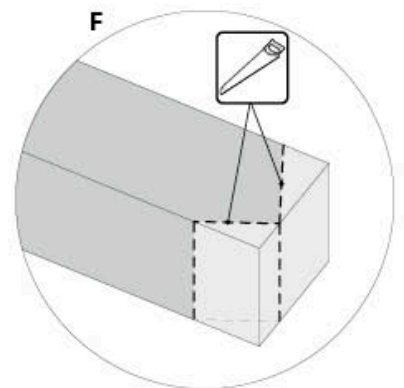
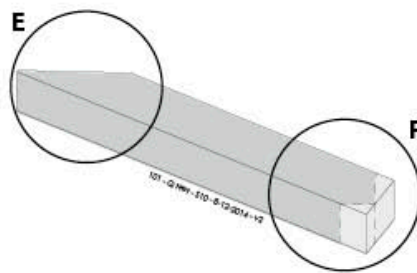
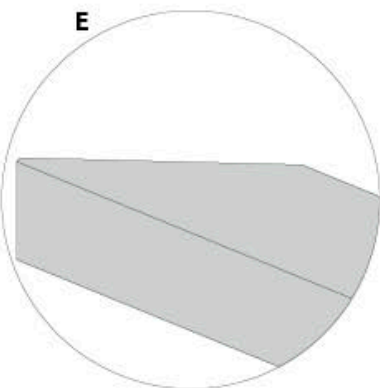
**2**



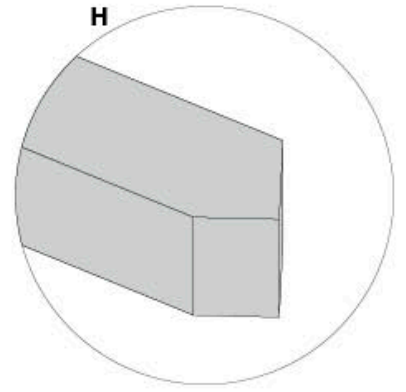
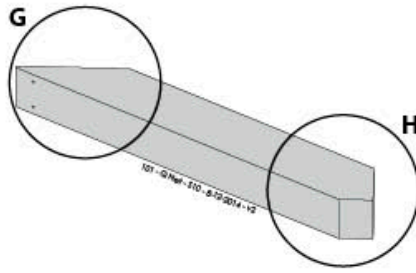
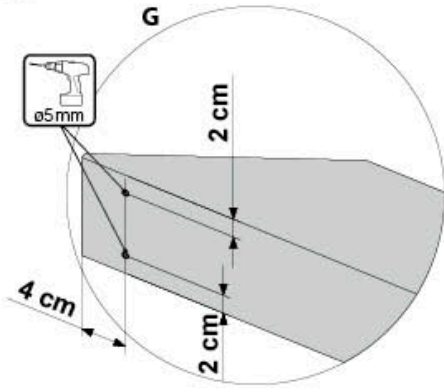
**3**



**4**



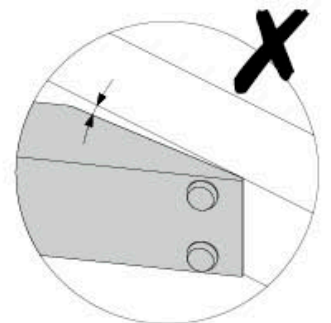
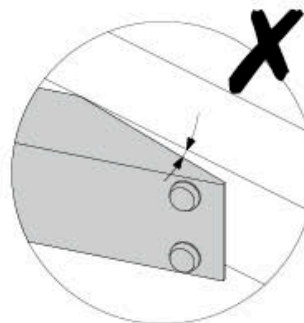
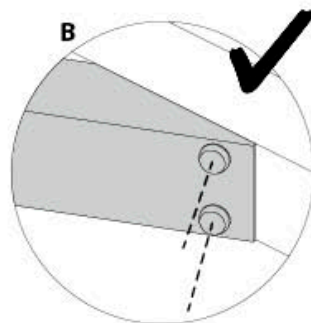
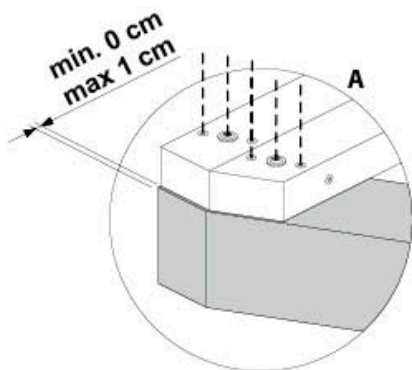
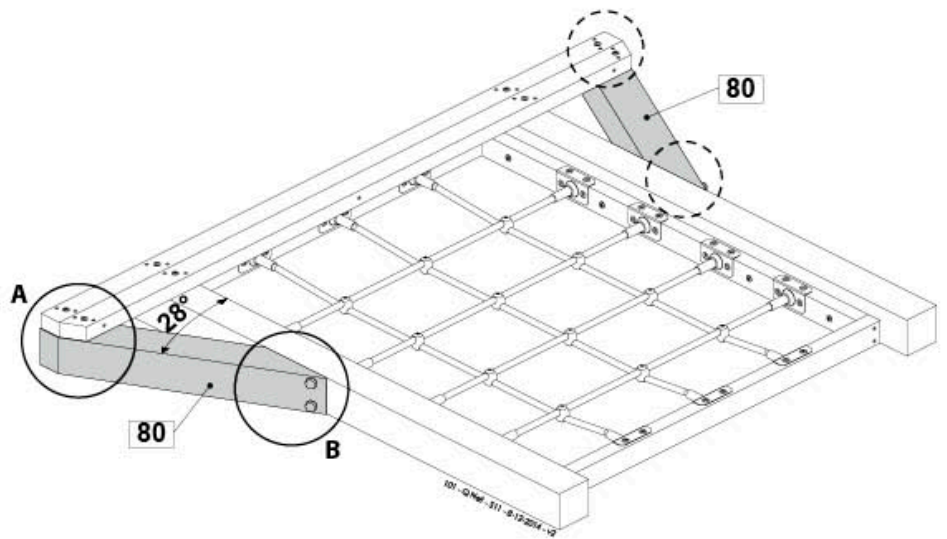
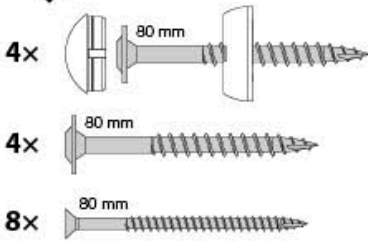
5




6

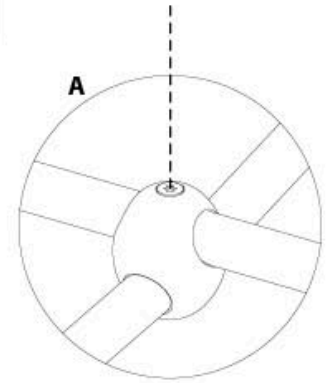
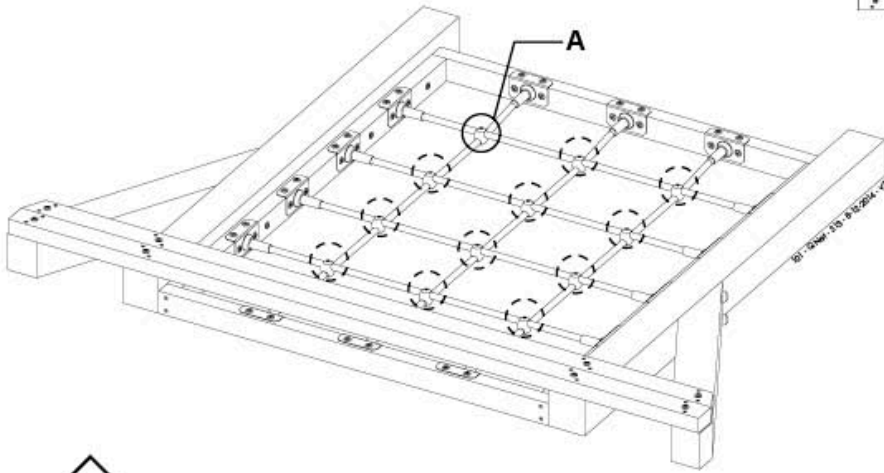
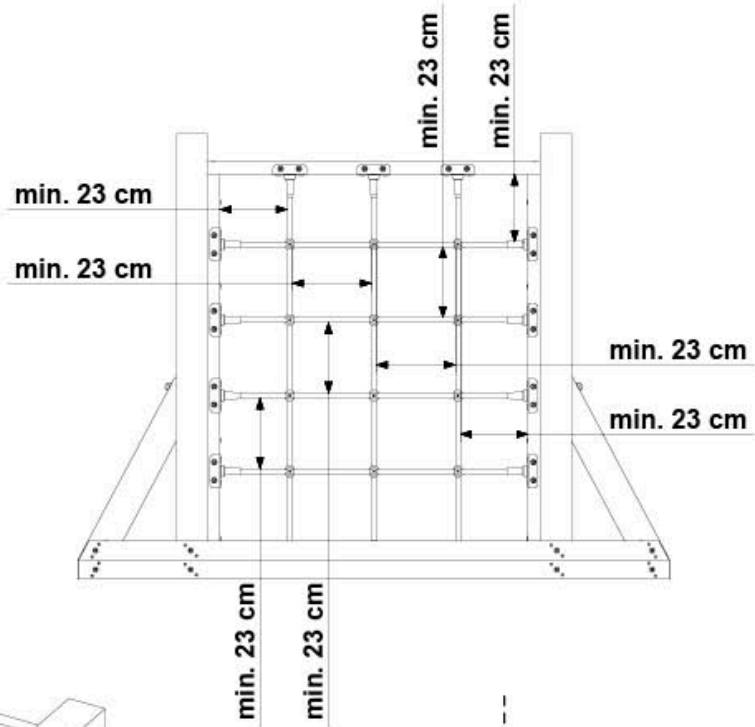


1 - 5

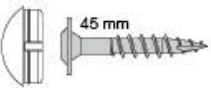


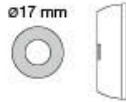
**5.1m**

12x 



**5.1n**

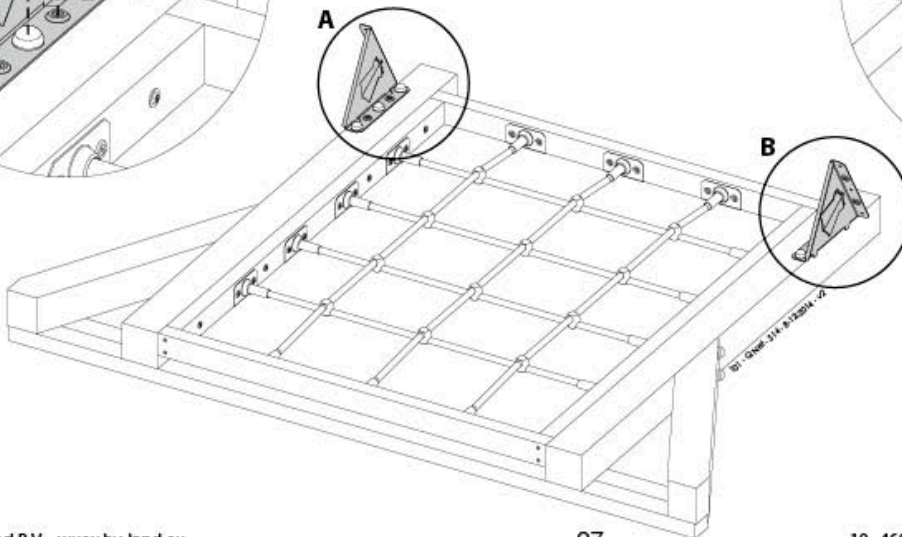
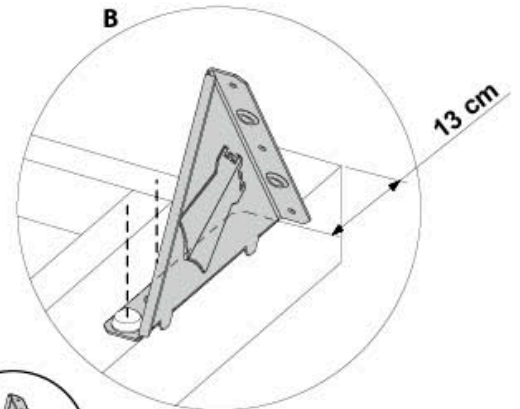
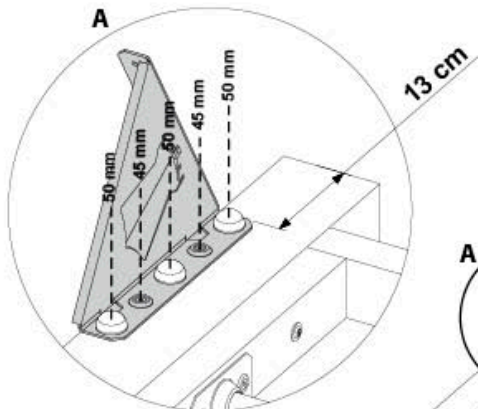
6x 

ø17 mm 

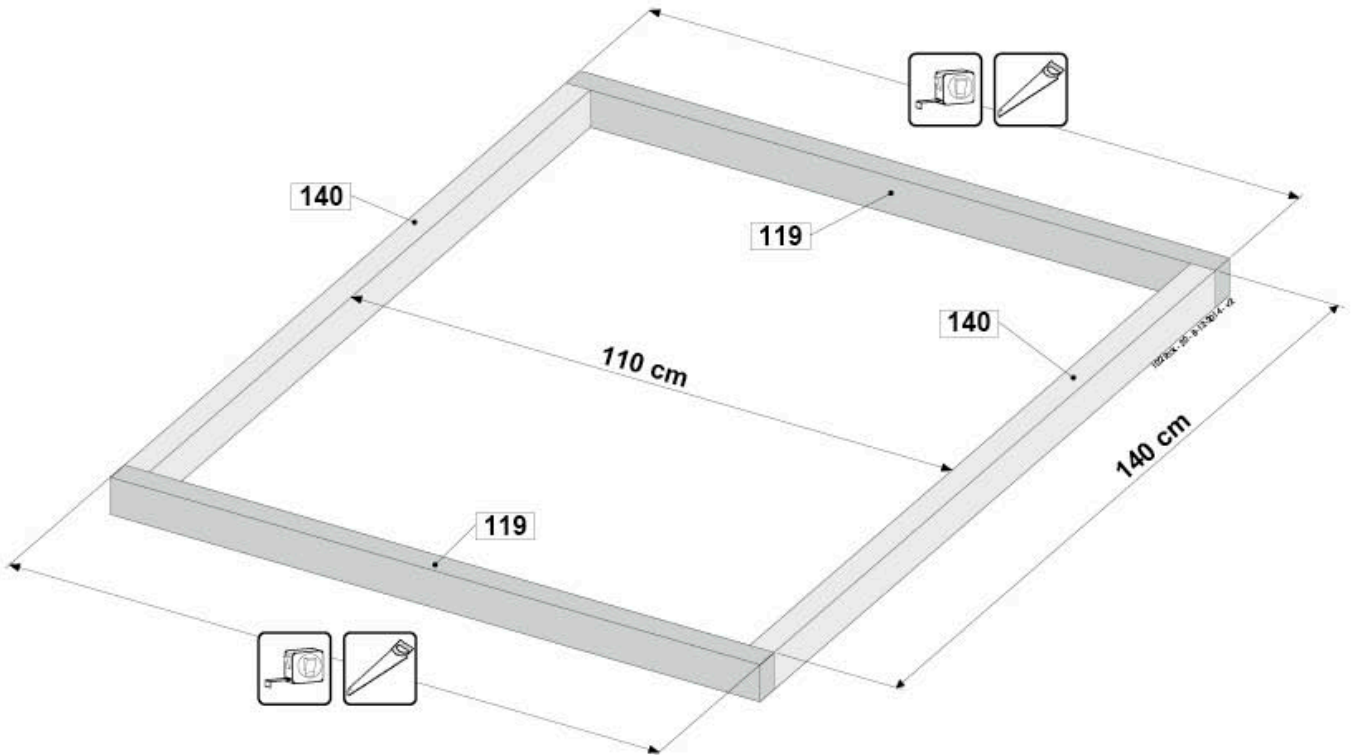
1x 

1x 

4x 

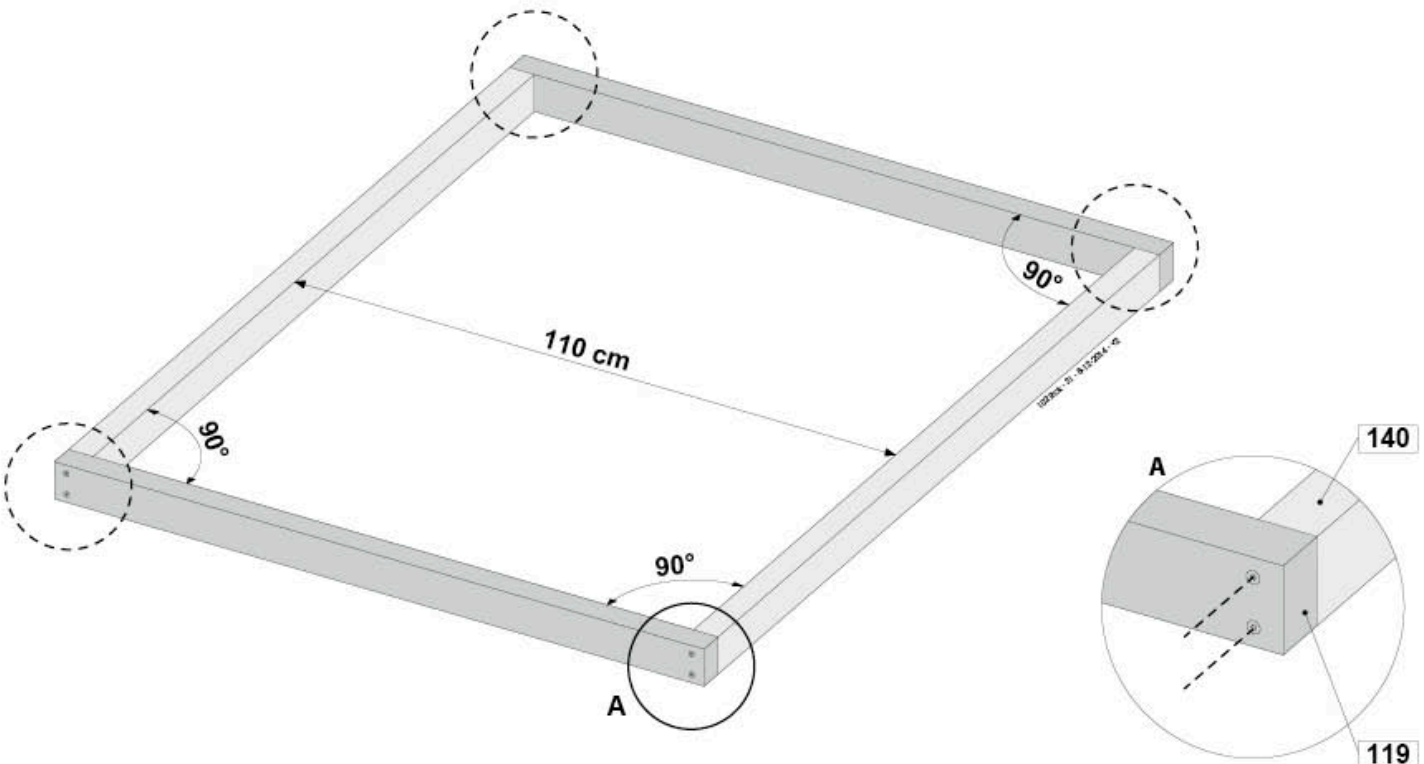


5.2a



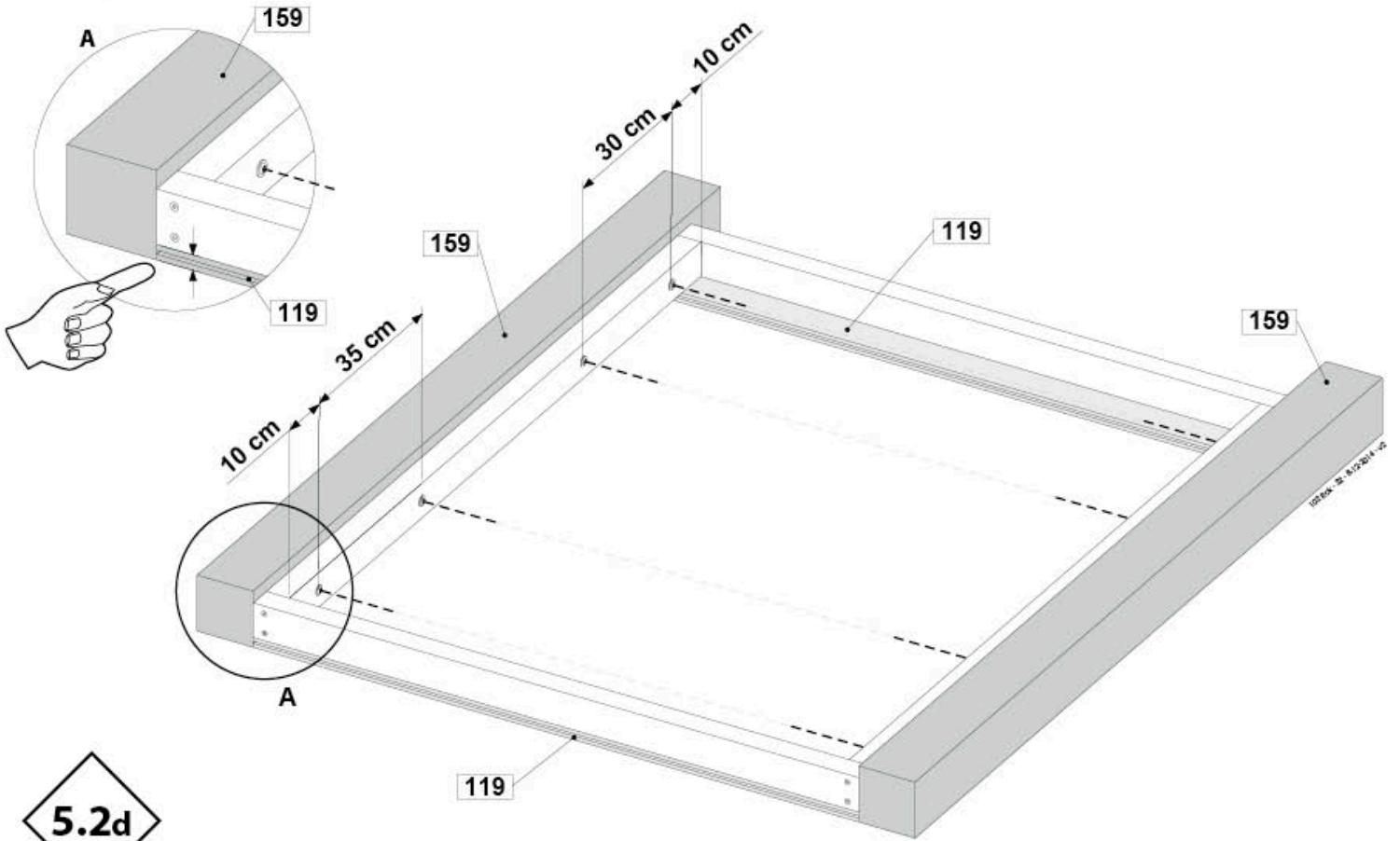
5.2b

8x 80 mm



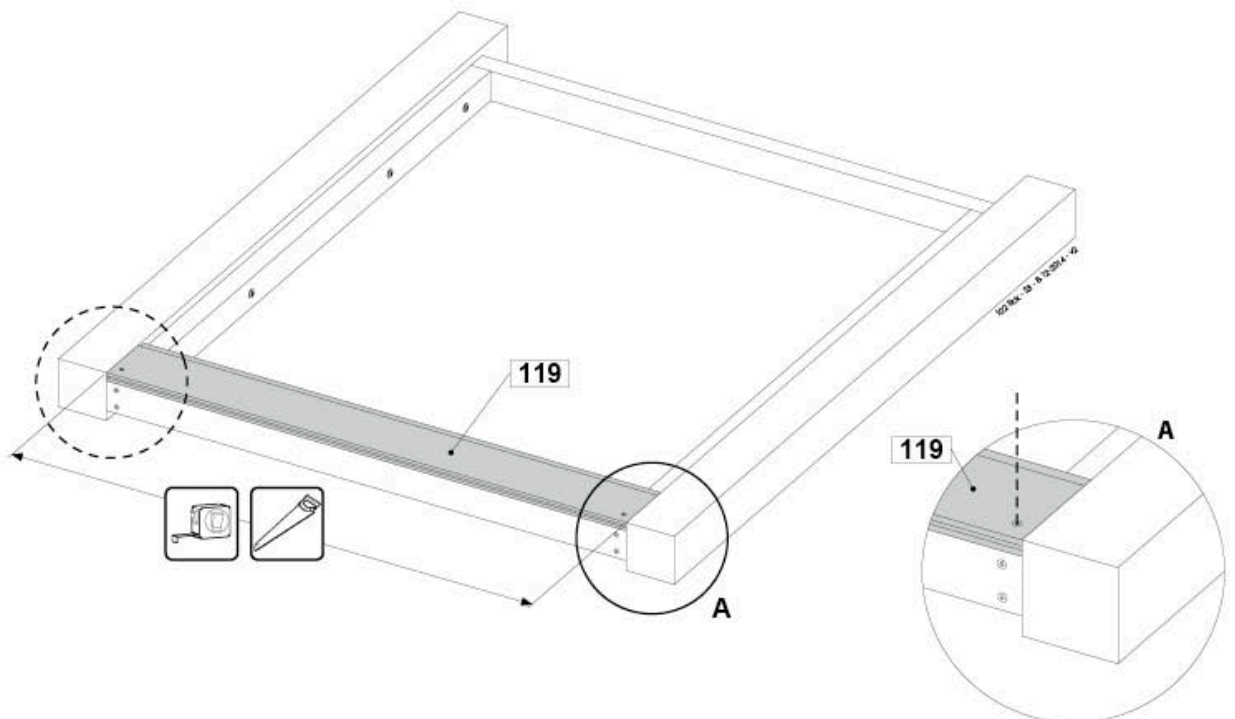
5.2c

8x 80 mm




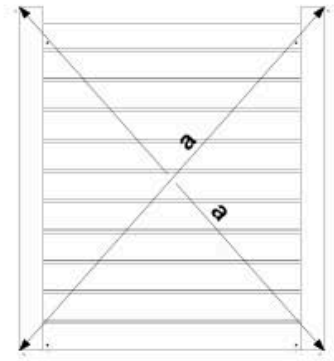
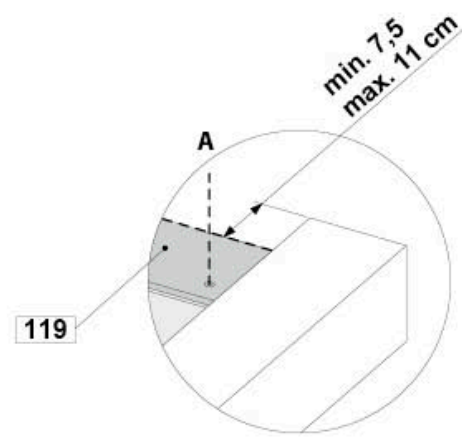
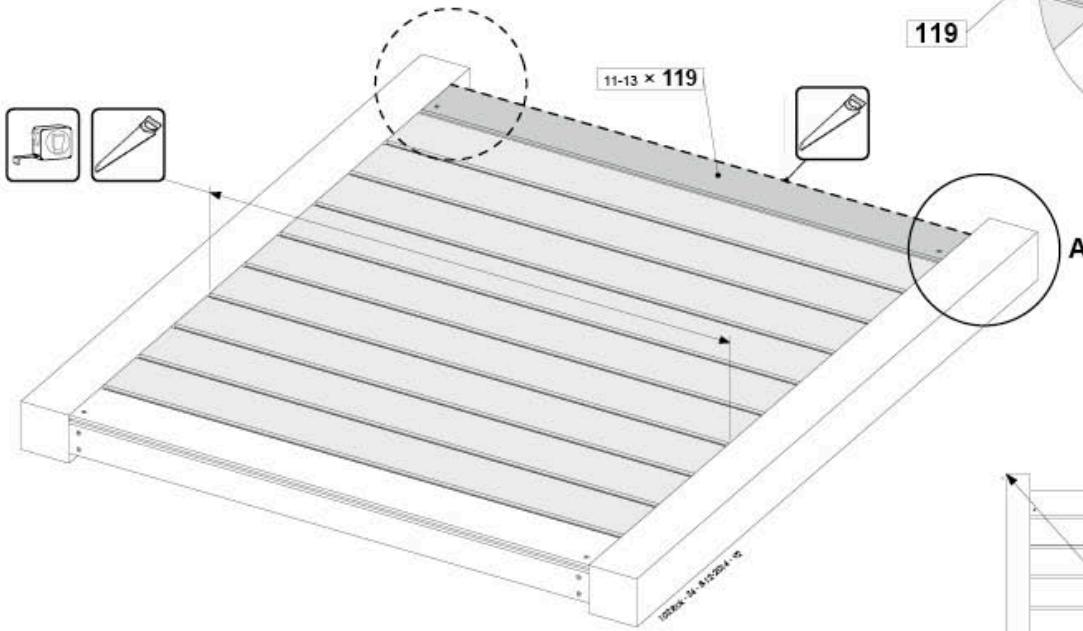
5.2d

2x 45 mm



**5.2e**

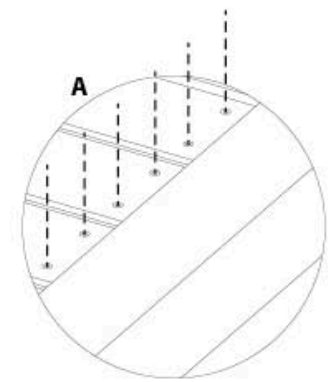
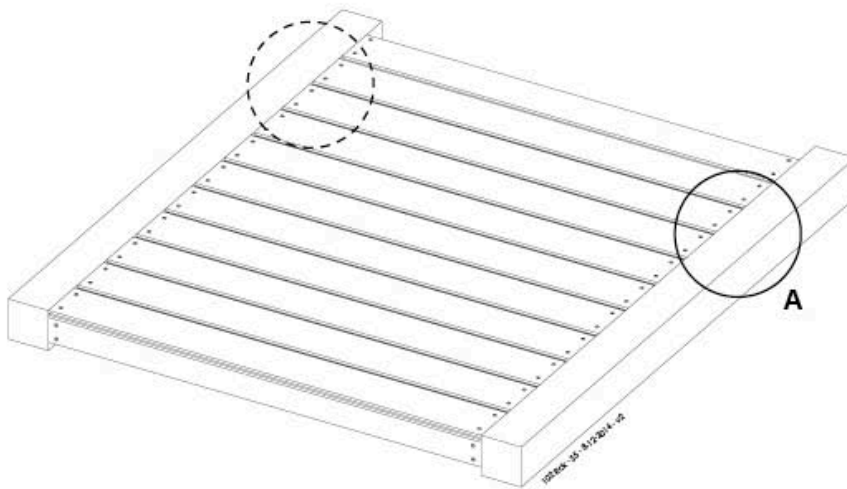
2x 45 mm

a = a

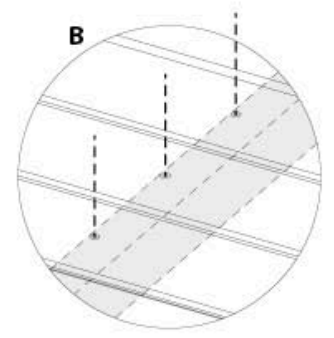
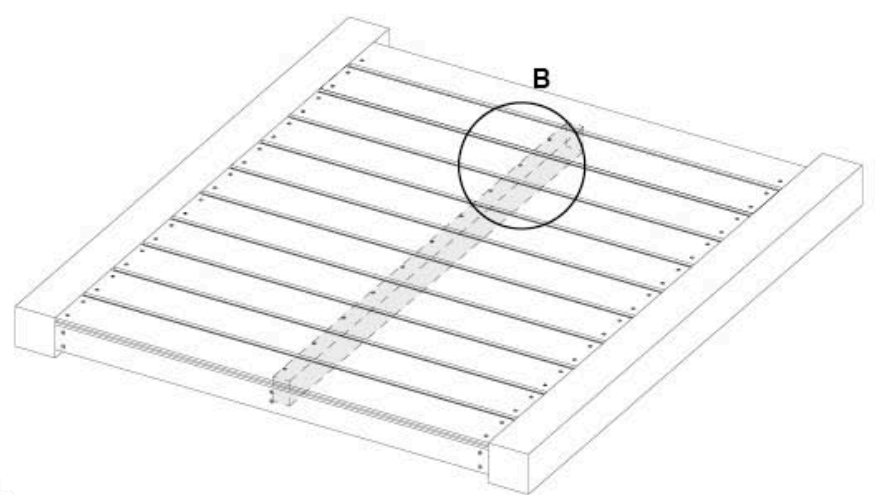
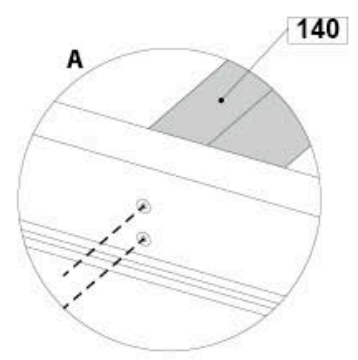
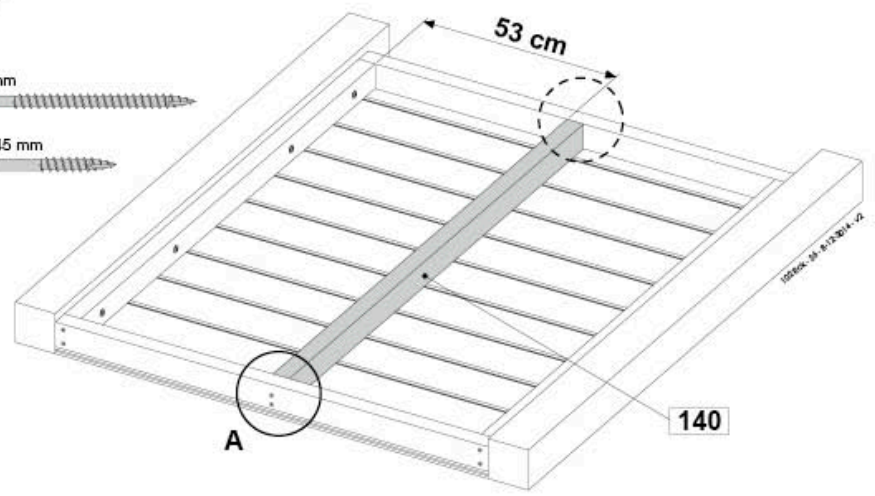
**5.2f**

44 - 52x 45 mm

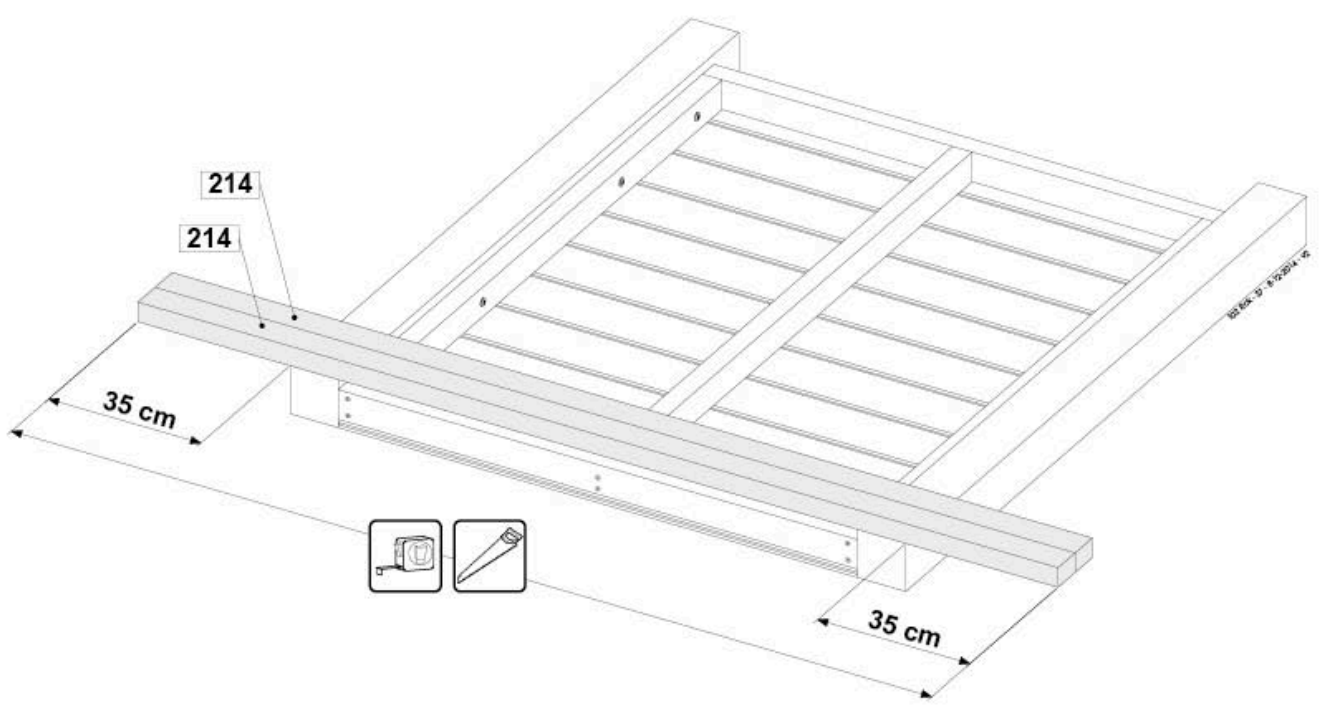



**5.2g**

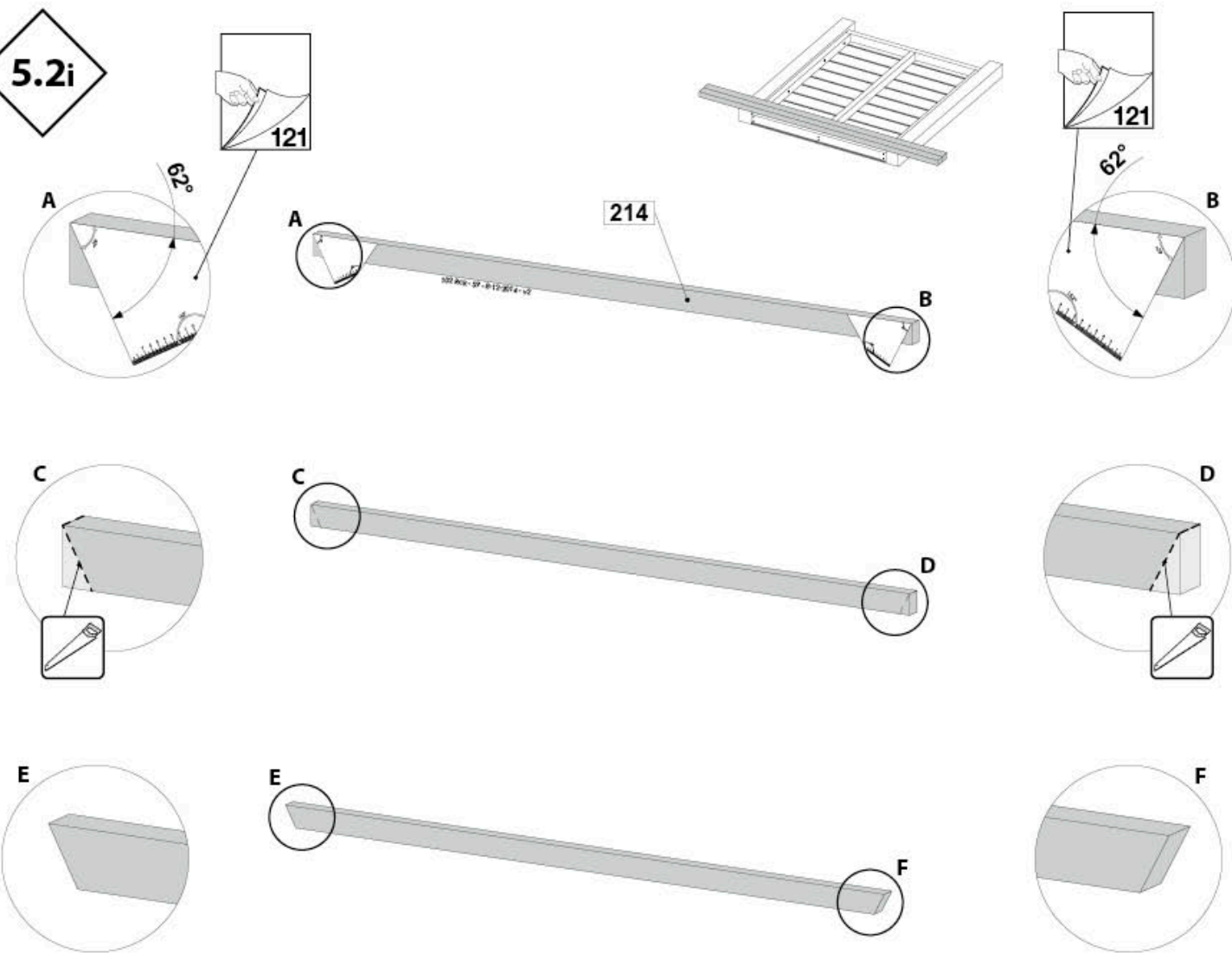
- 4x 80 mm
- 12 - 14x 45 mm



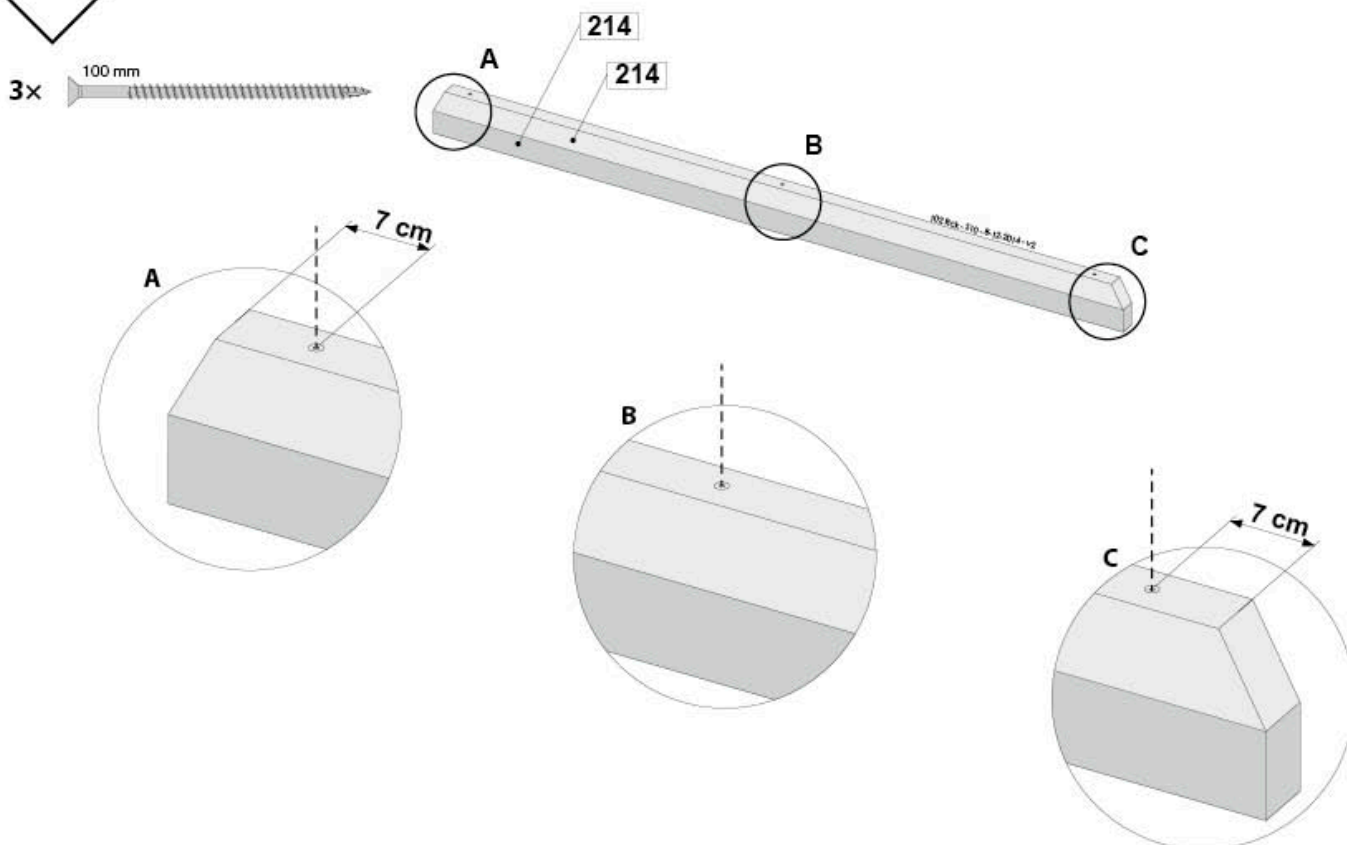
**5.2h**



5.2i



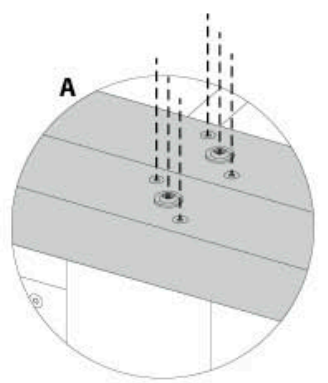
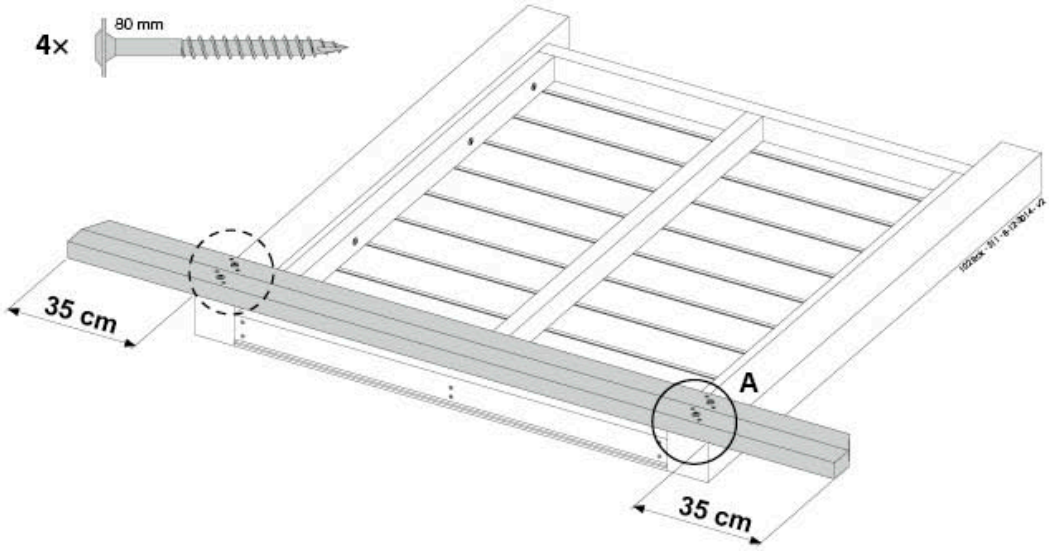
5.2j





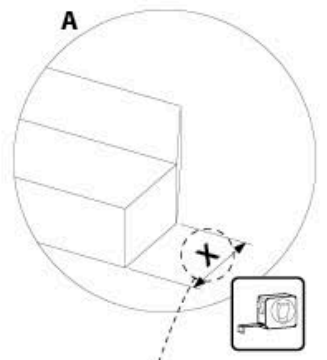
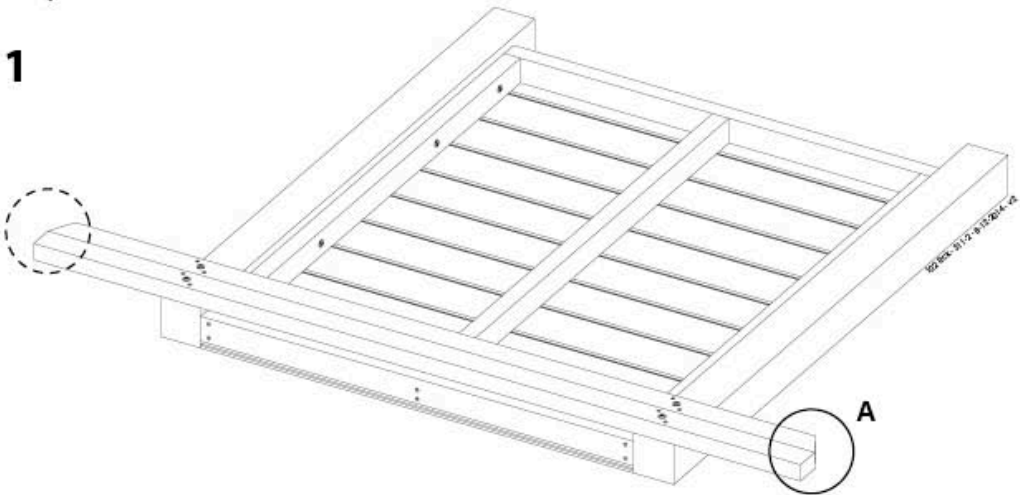
# 5.2k

- 8x 80 mm
- 4x 80 mm

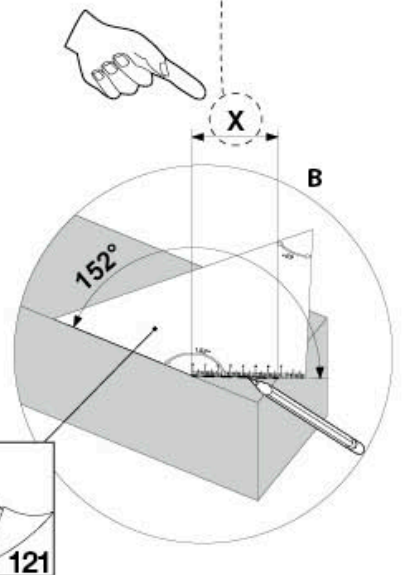
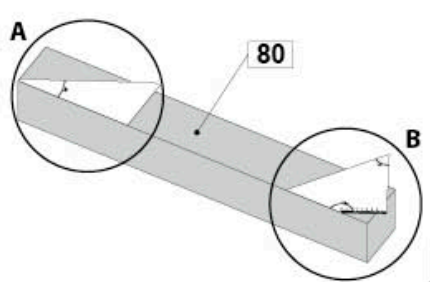
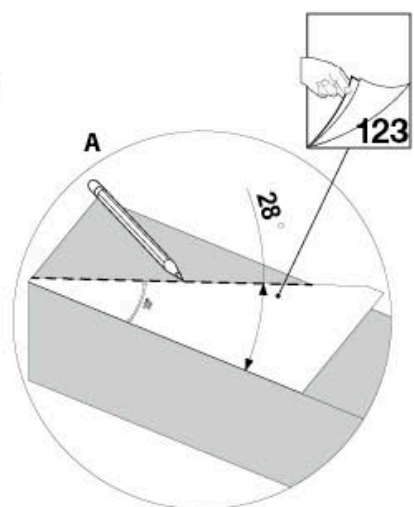


# 5.2L

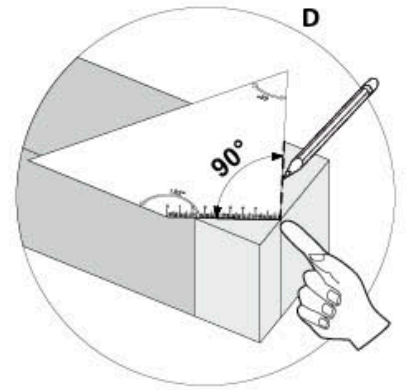
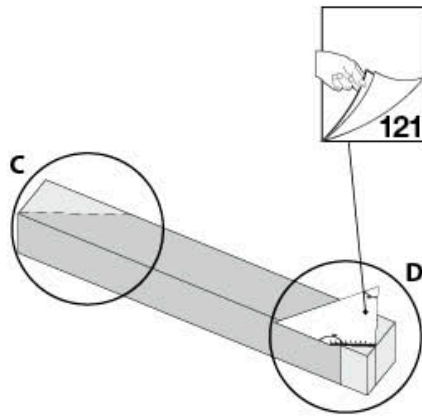
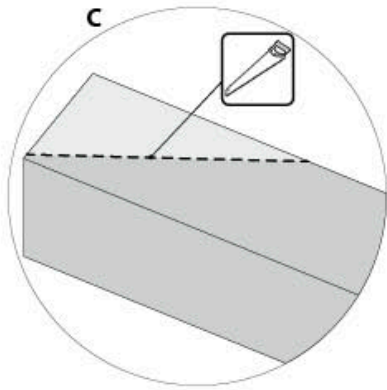
1



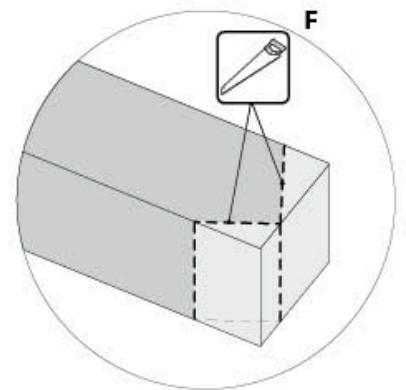
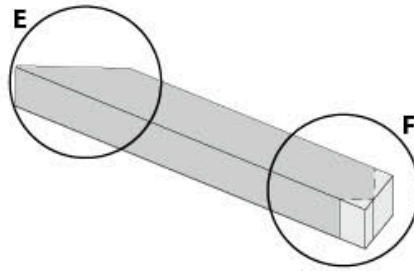
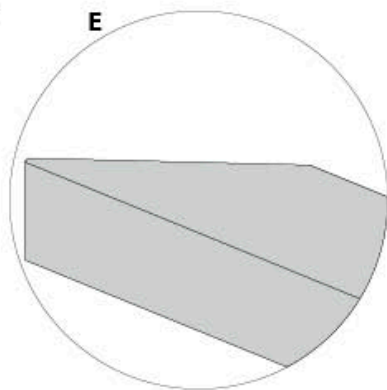
2



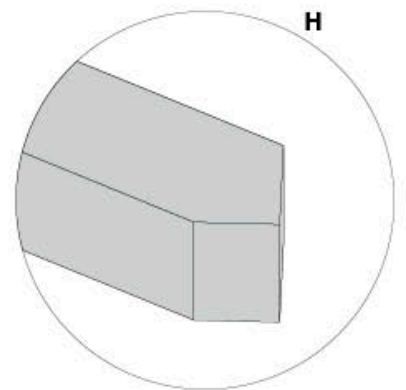
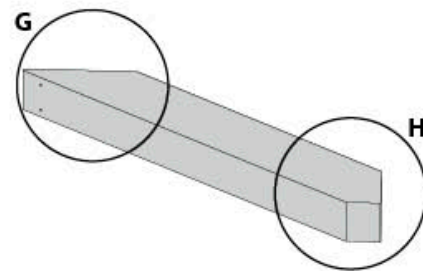
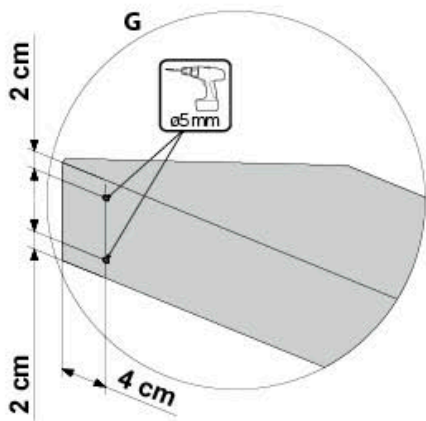
3



4



5

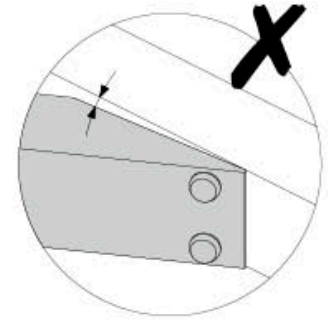
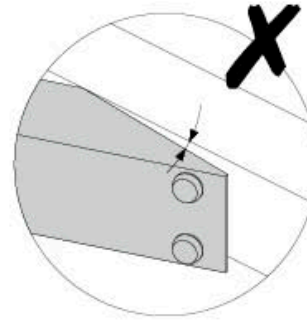
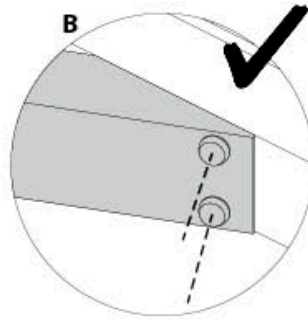
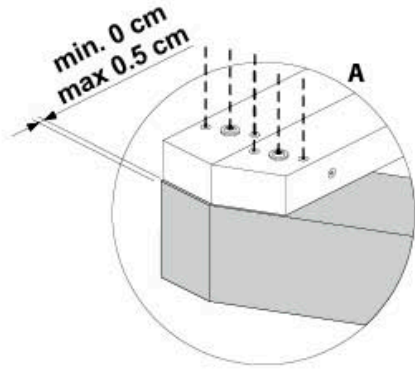
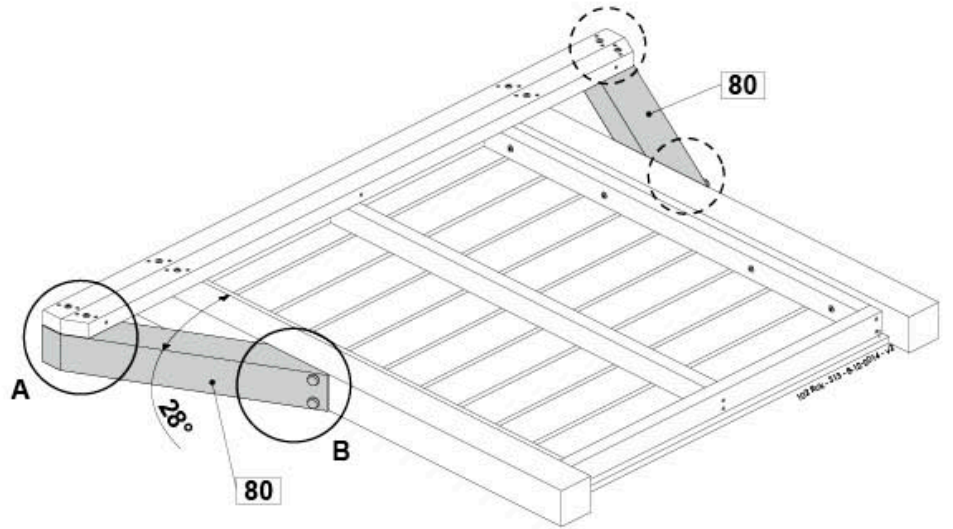
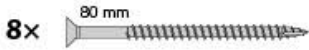
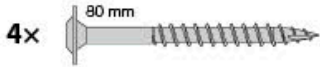
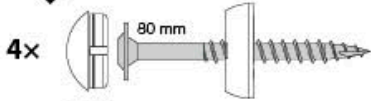


6

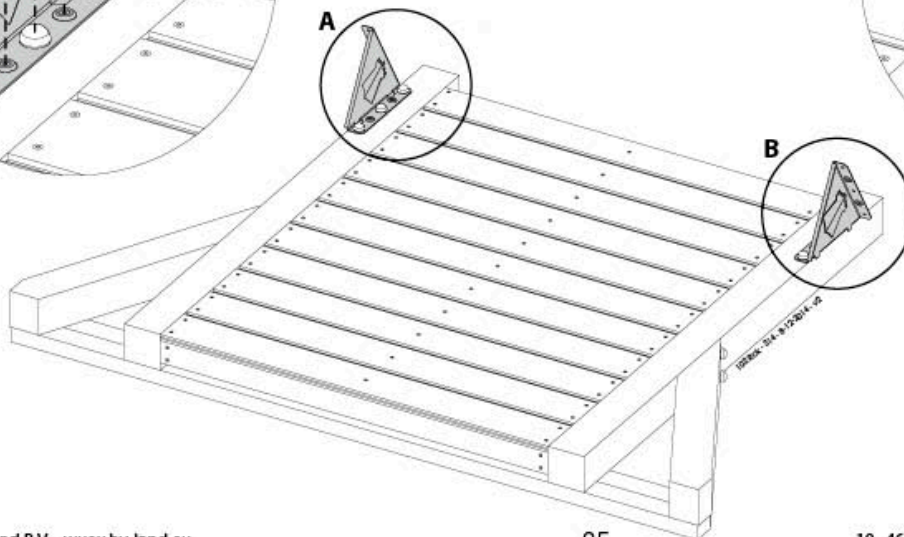
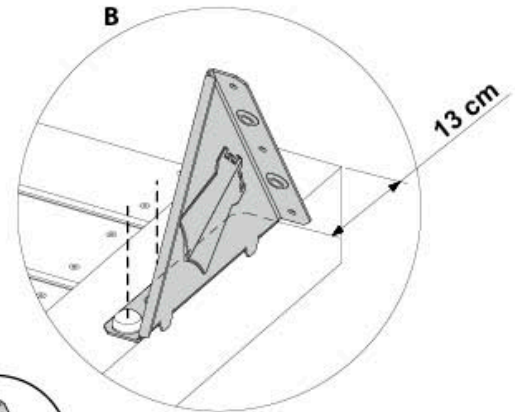
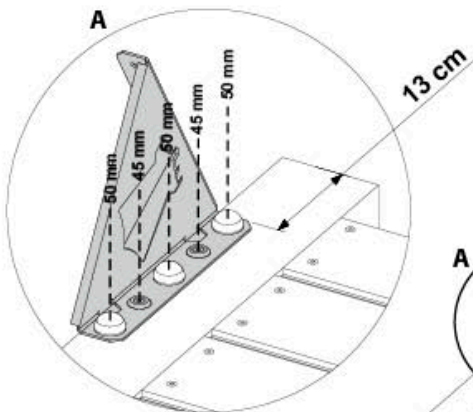
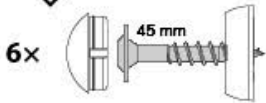
5.2L 1 - 5

2x

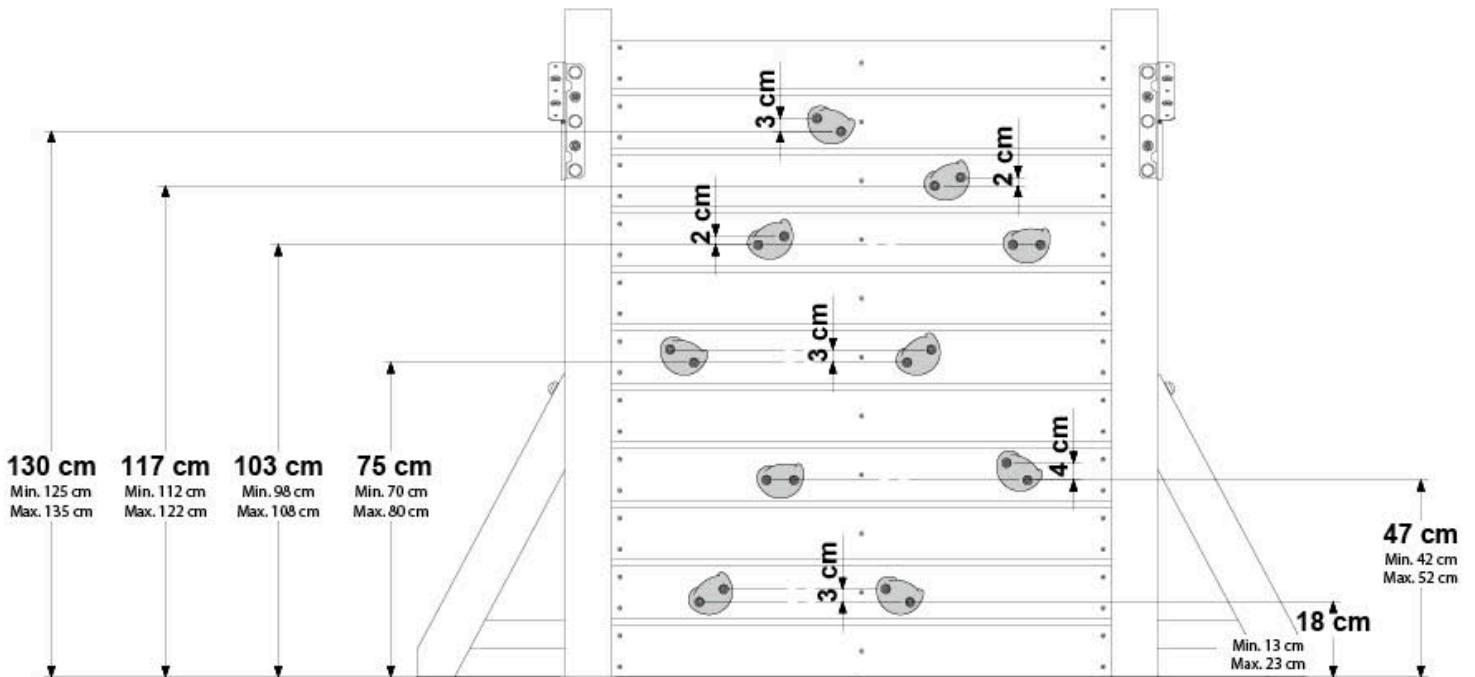
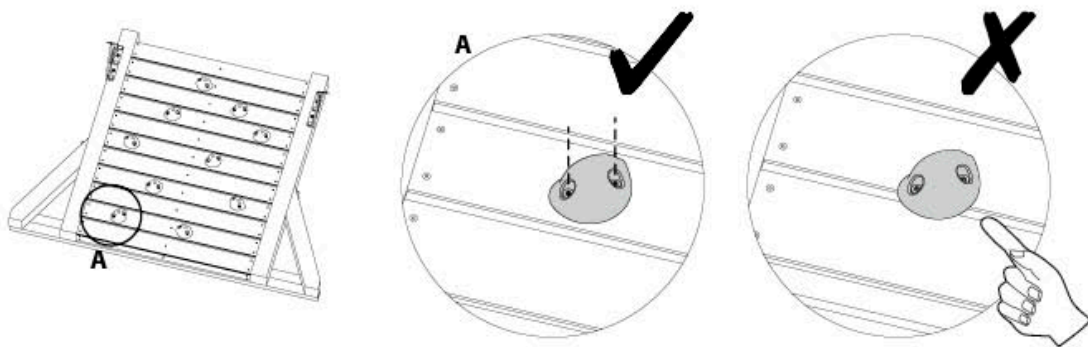
# 5.2m



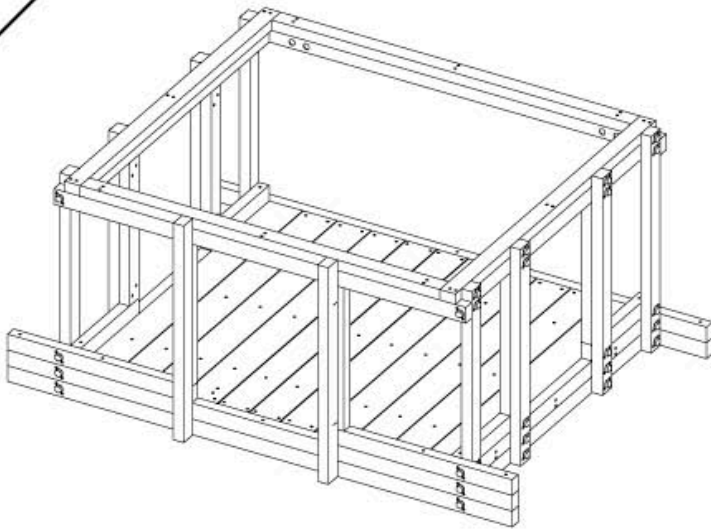
# 5.2n



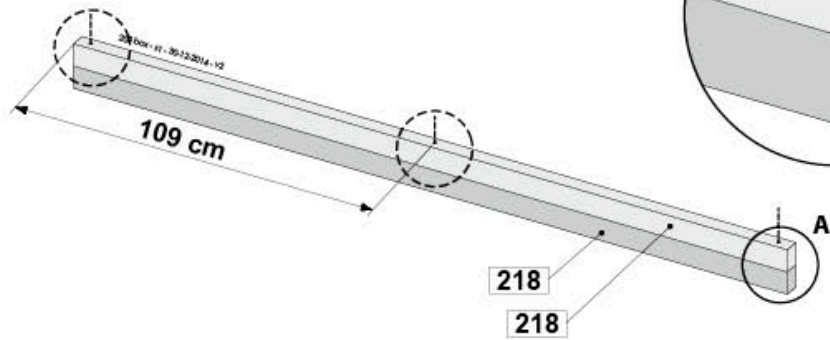
# 5.2o



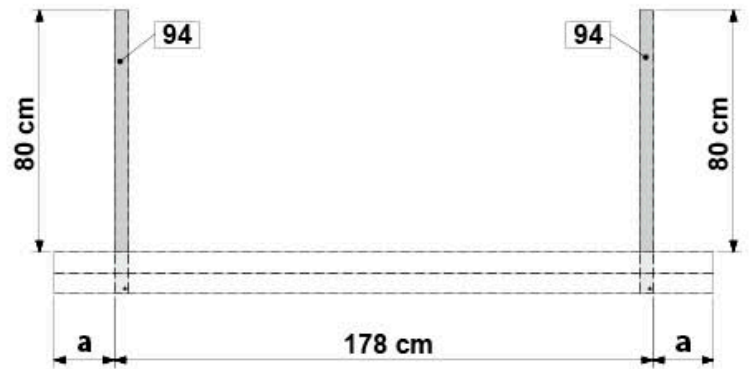
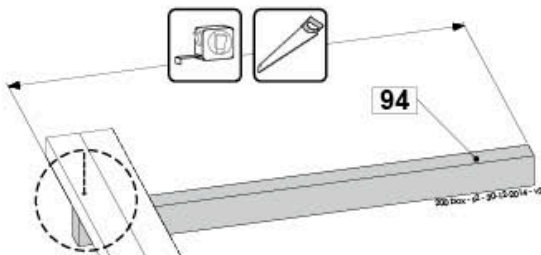
6



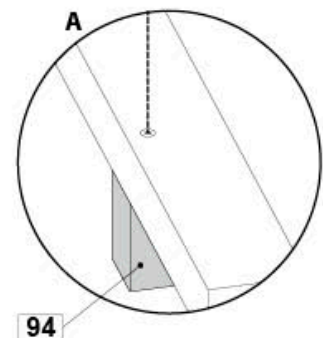
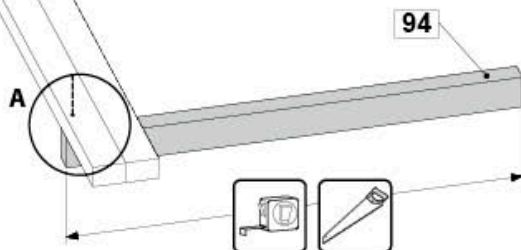
6a



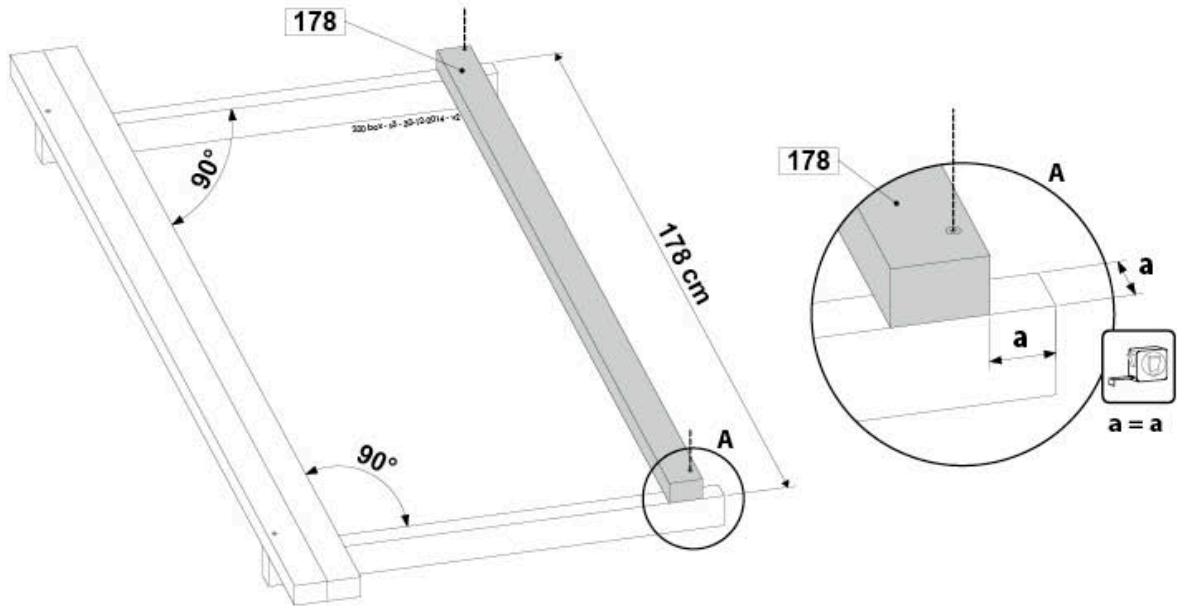
6b



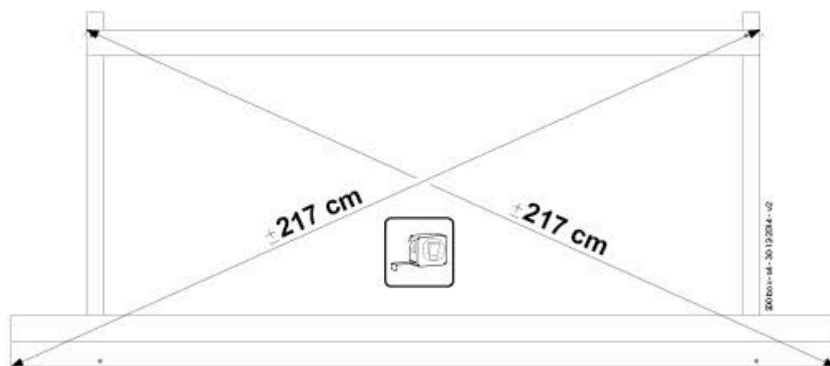
a = a



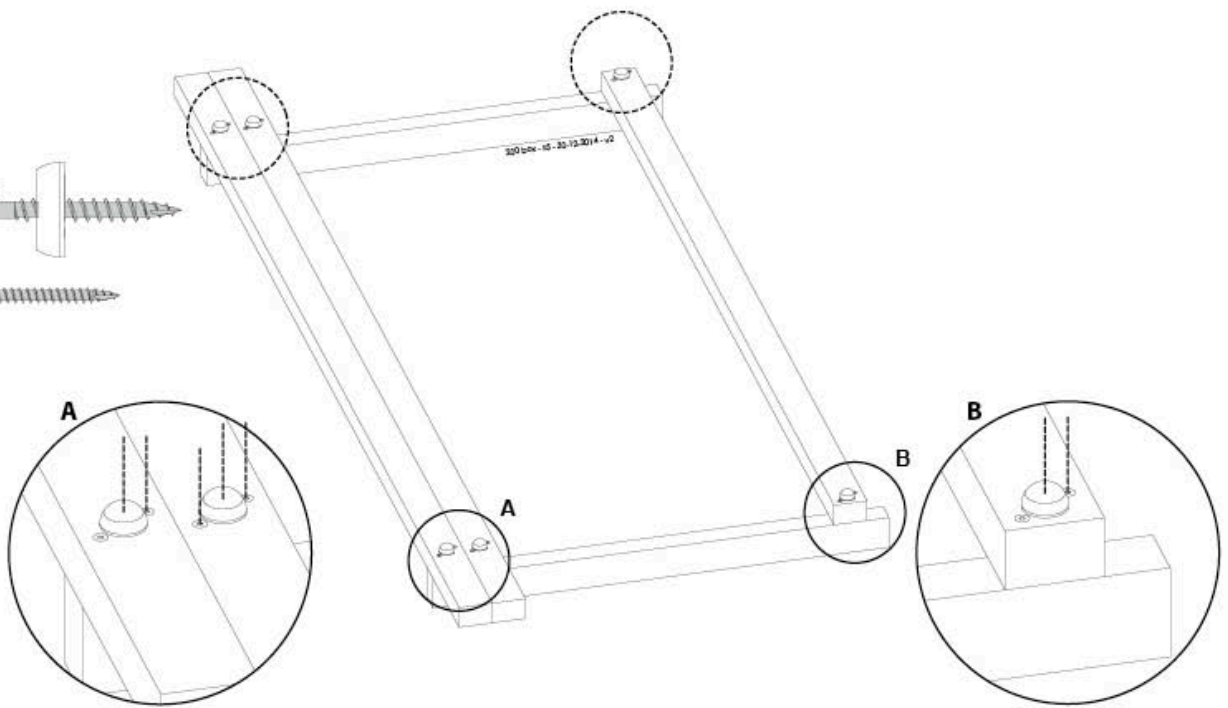
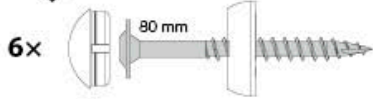
6c



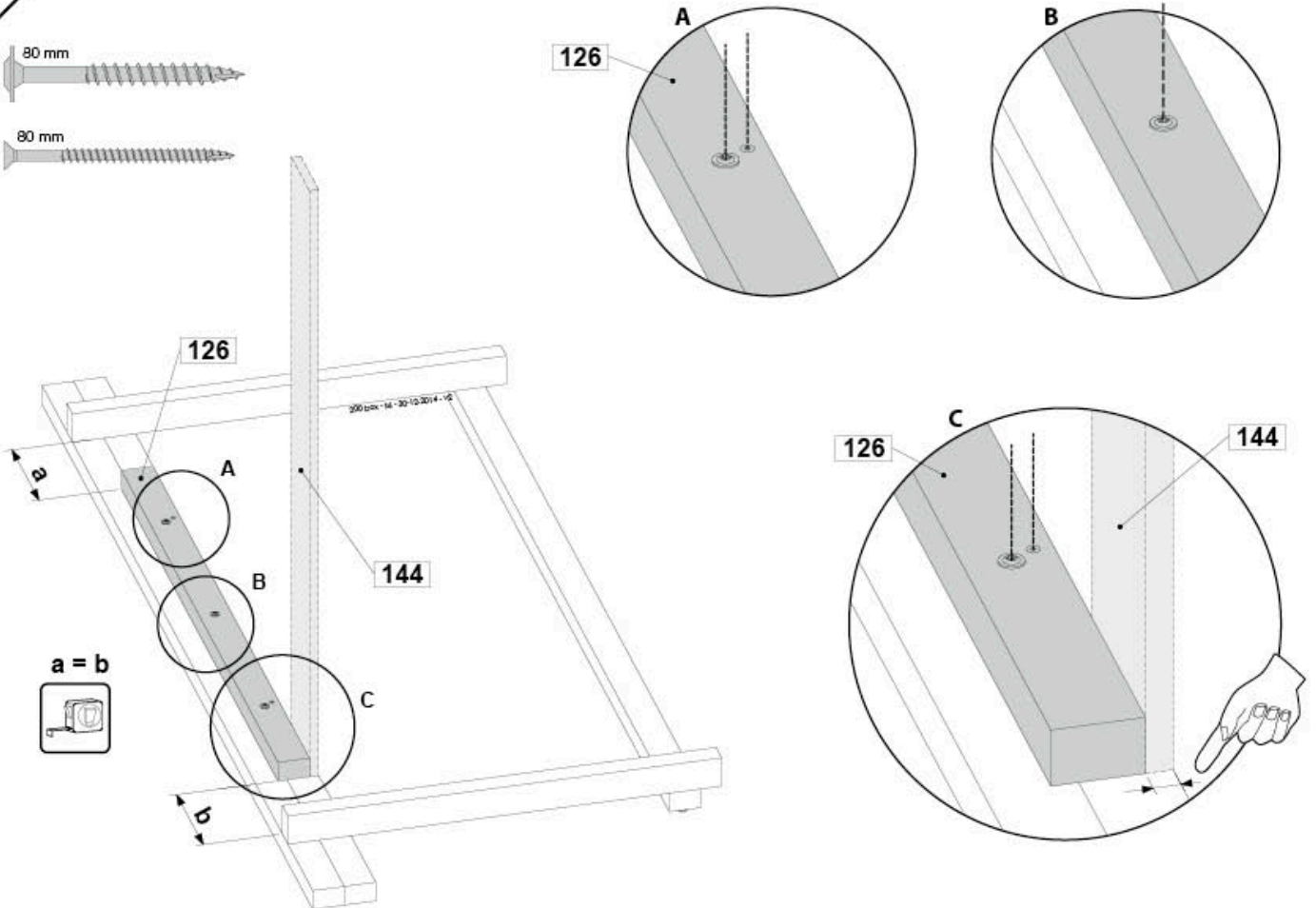
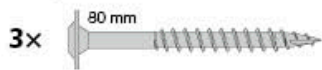
6d



6e



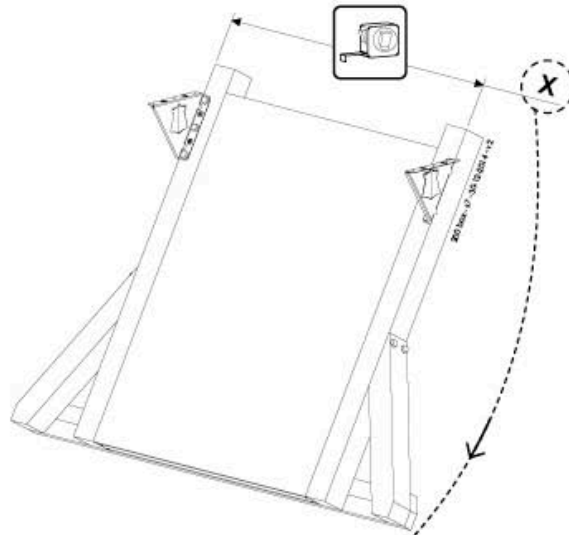
6f



6a — 6f (2x)

**6g**

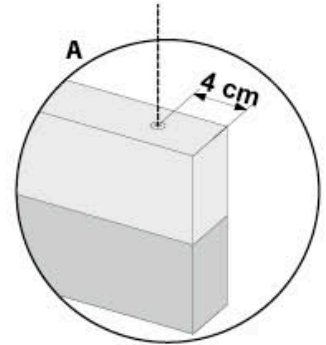
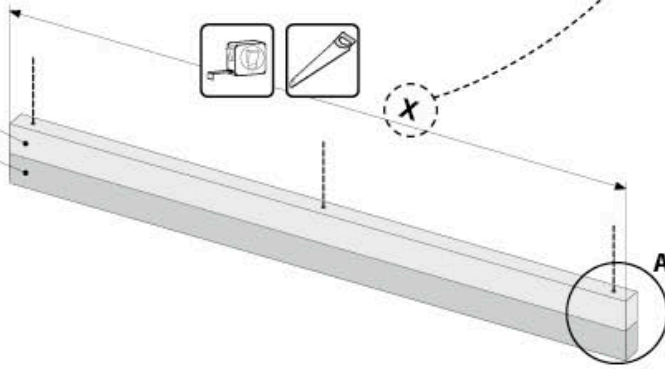
6x 100 mm



144  
144



X

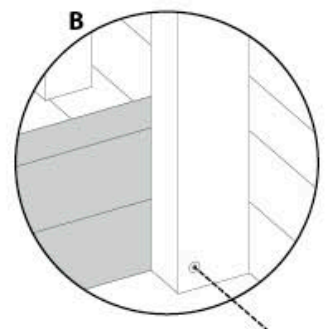
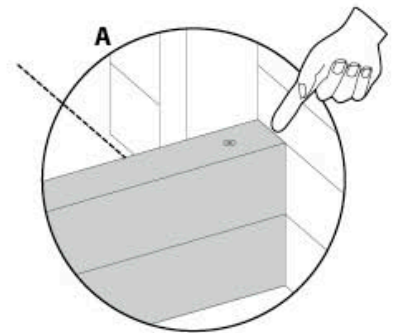
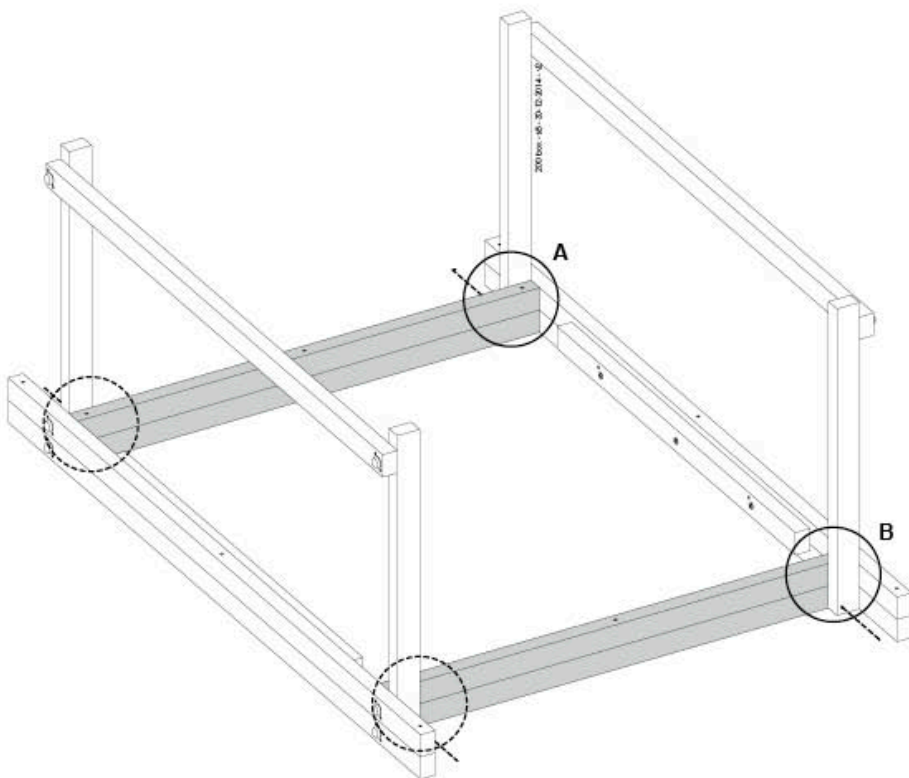


**6g**

**2x**

**6h**

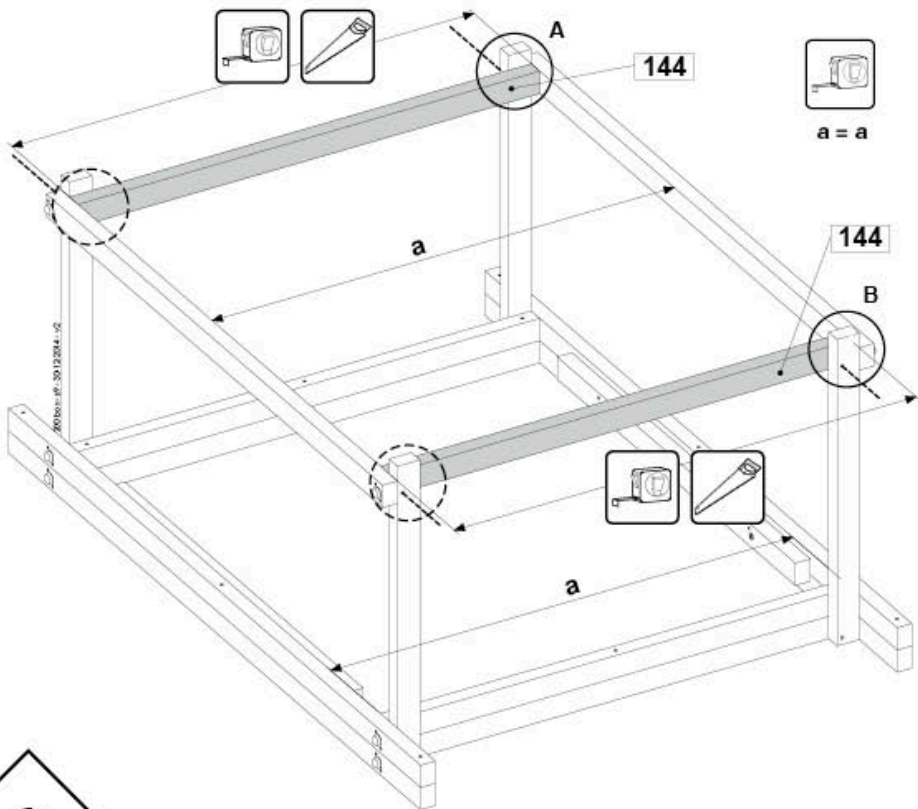
4x 80 mm



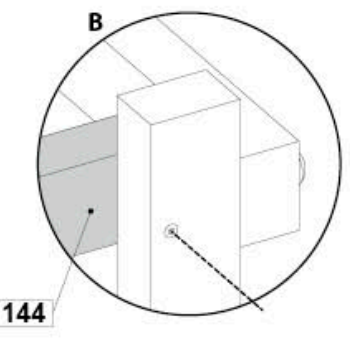
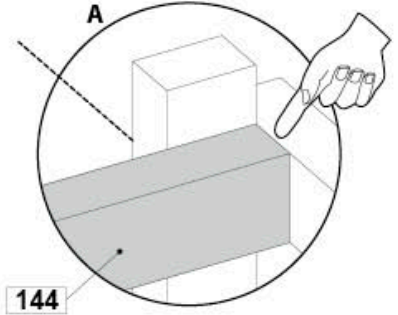


# 6i

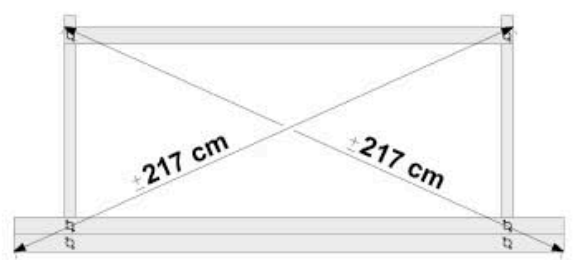
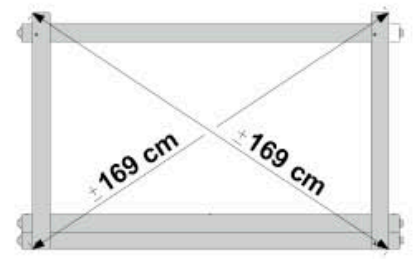
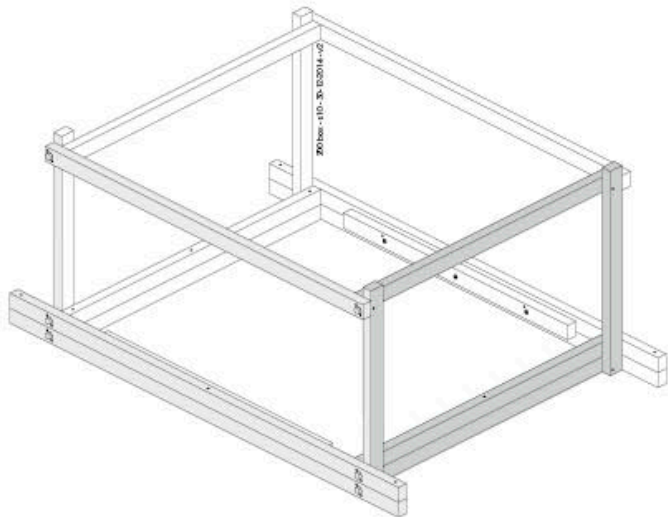
4x 80 mm 



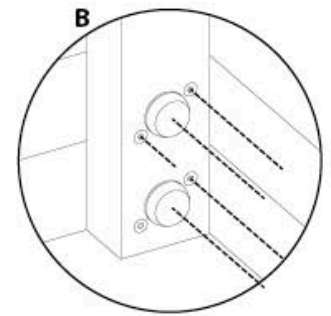
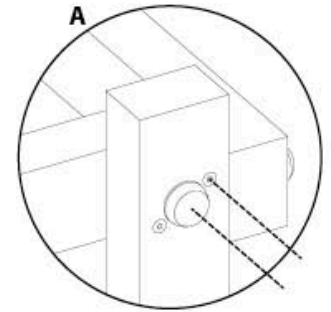
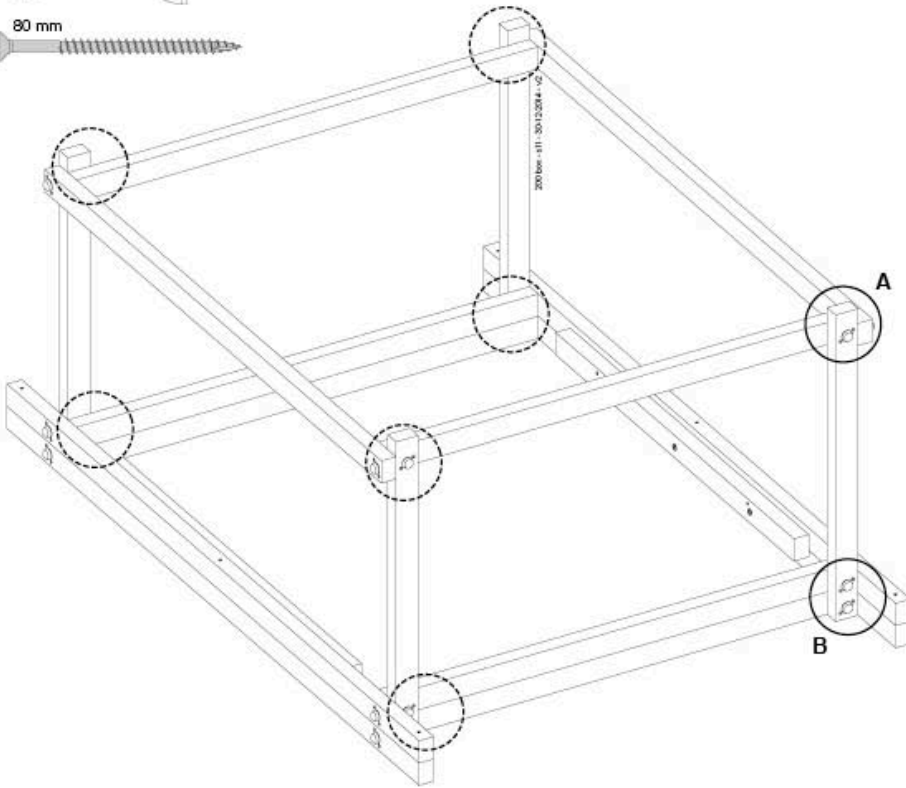
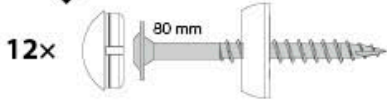
  
a = a



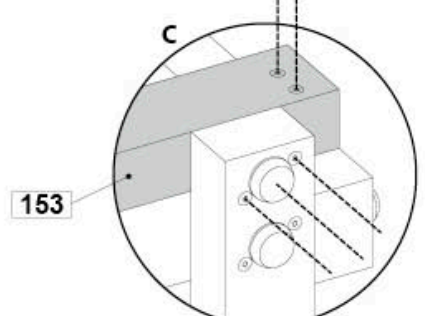
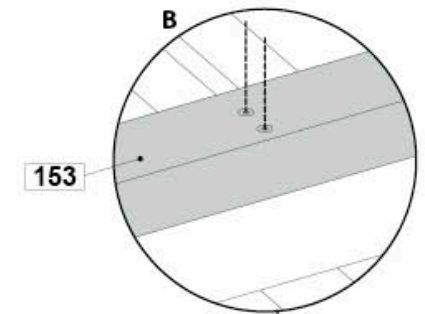
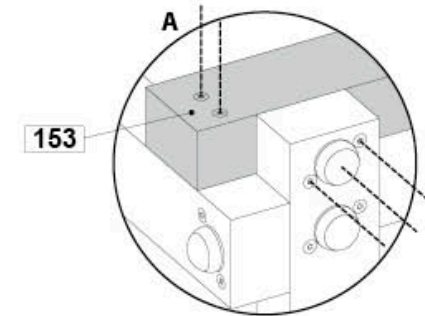
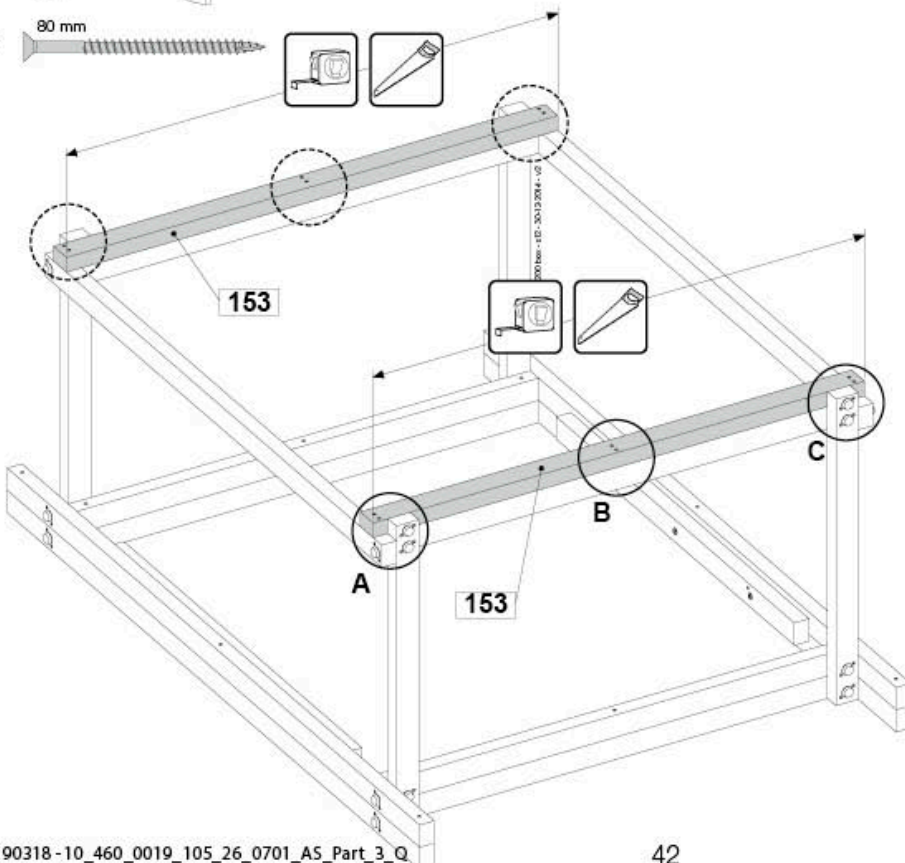
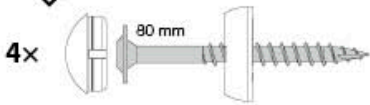
# 6j



# 6k

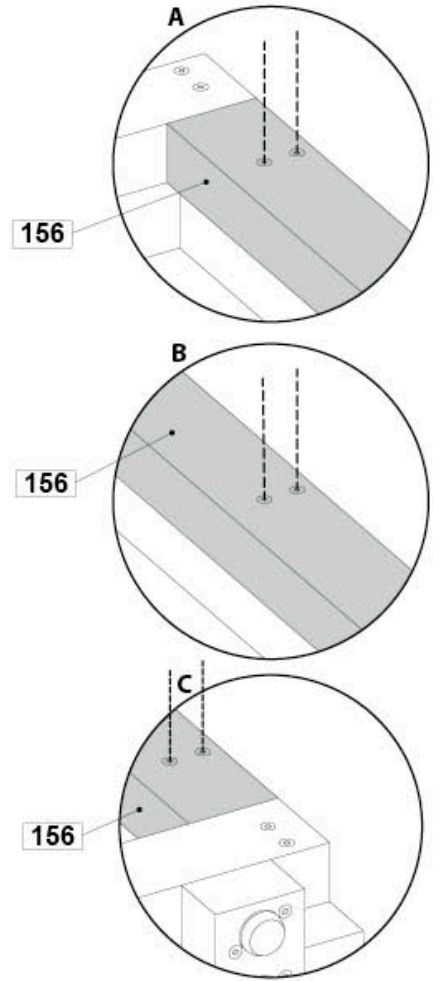
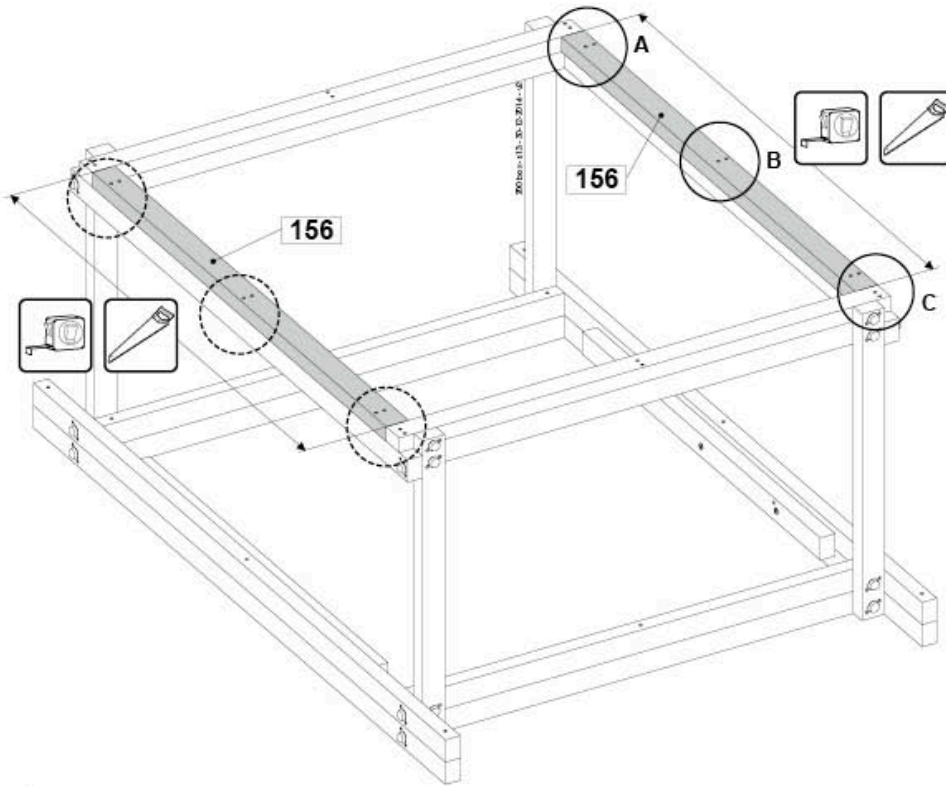


# 6L



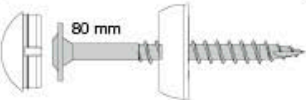
**6m**

12x 80 mm

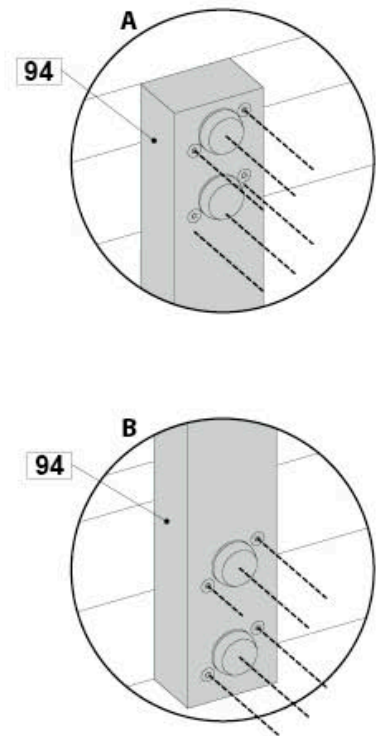
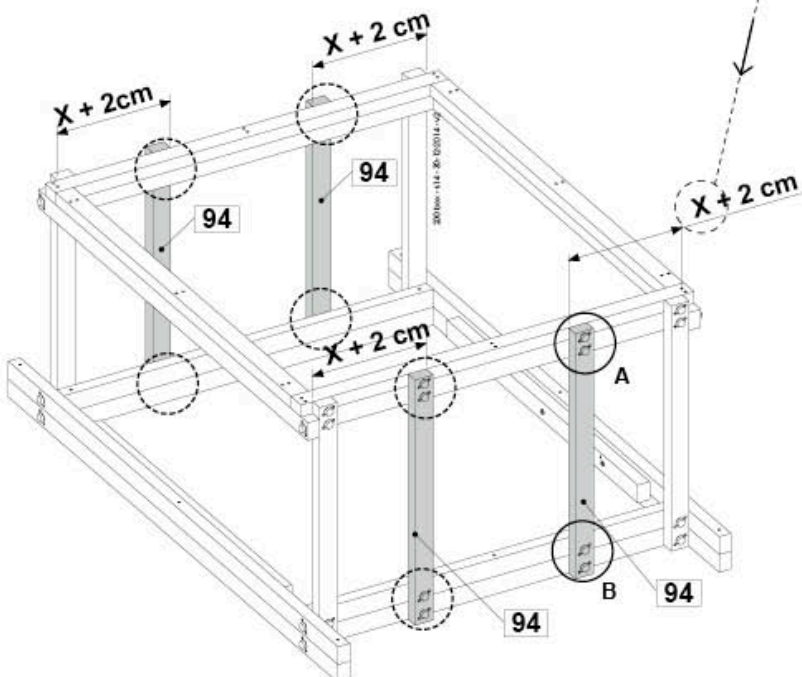
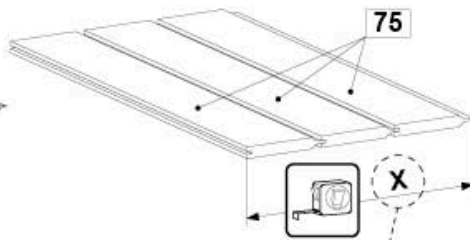



**6n**

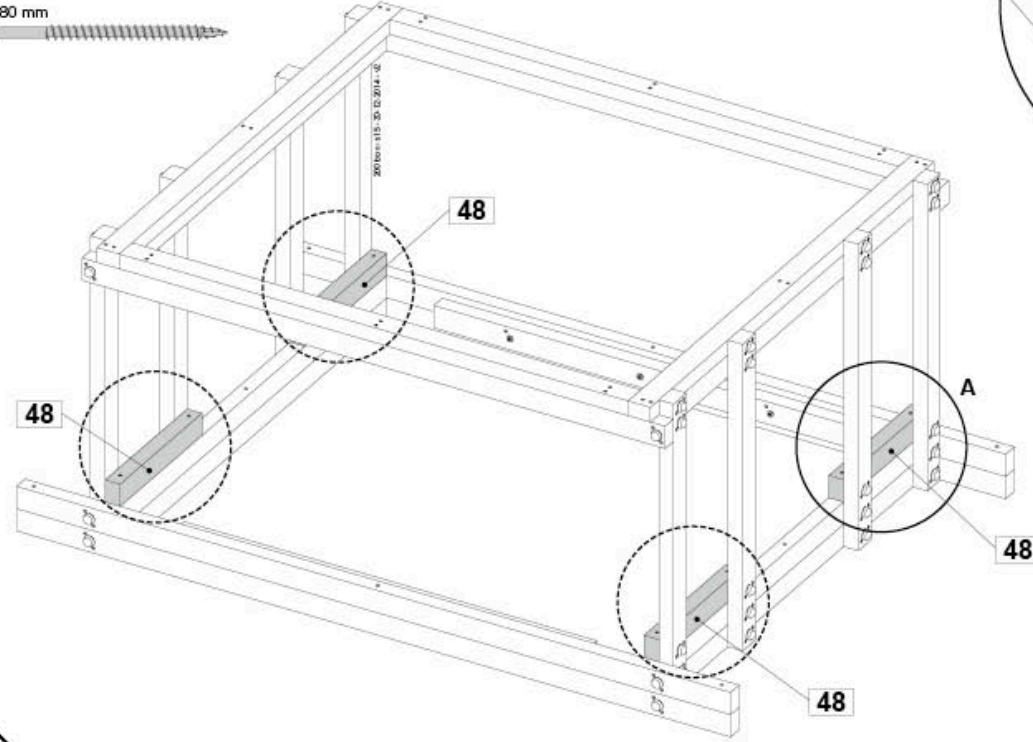
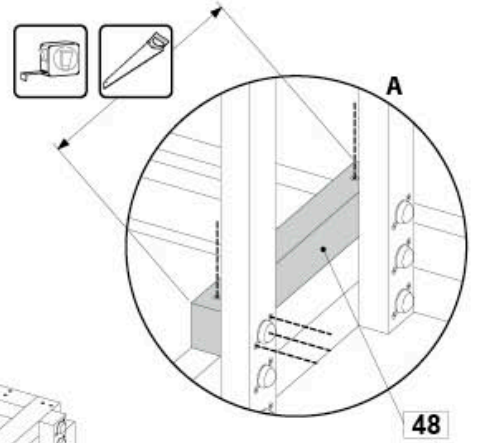
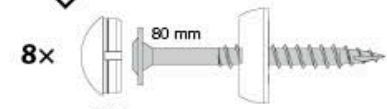
16x 80 mm



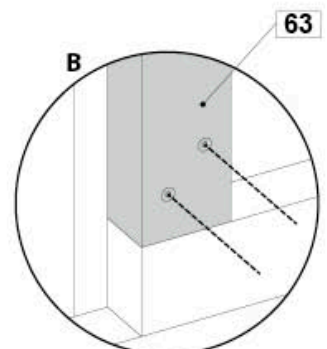
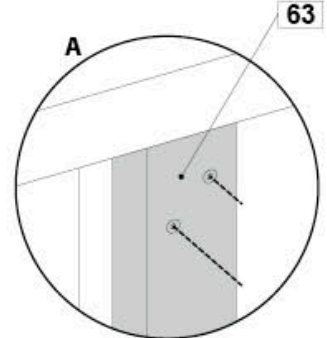
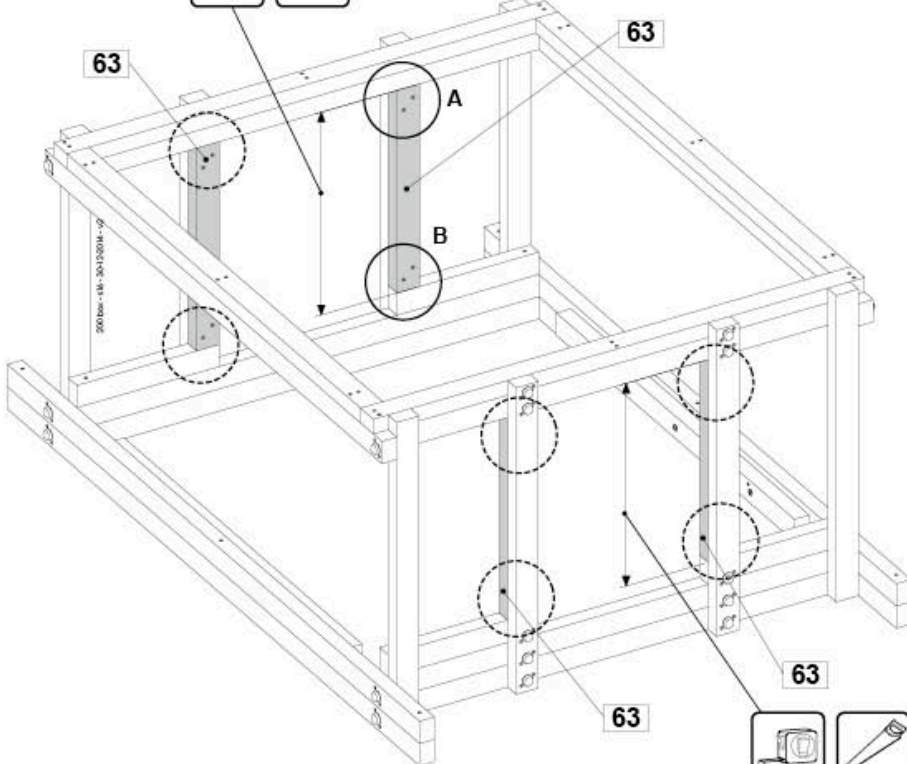
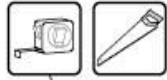
32x 80 mm

# 6o

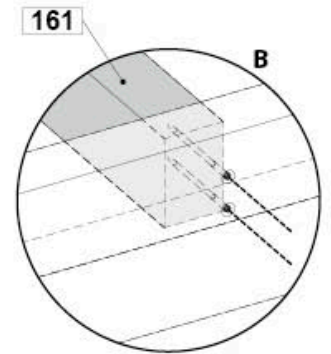
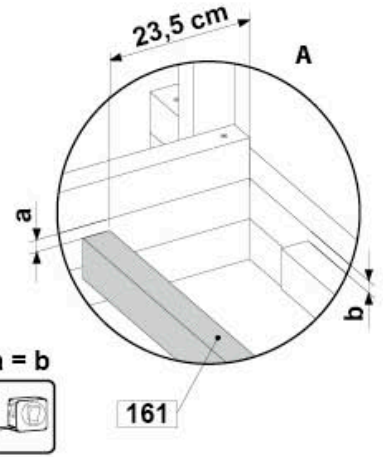
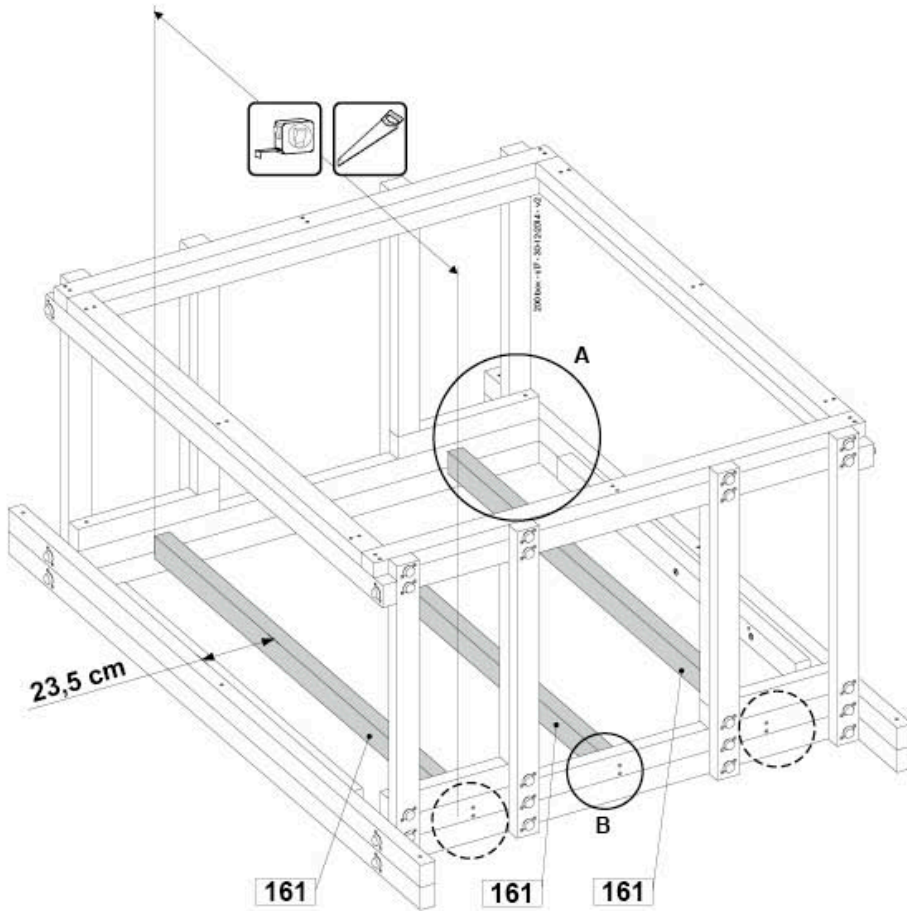


# 6p

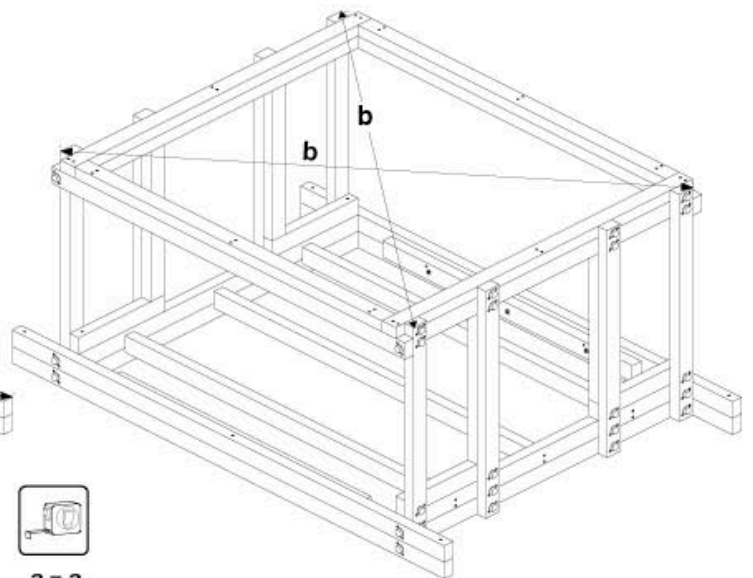
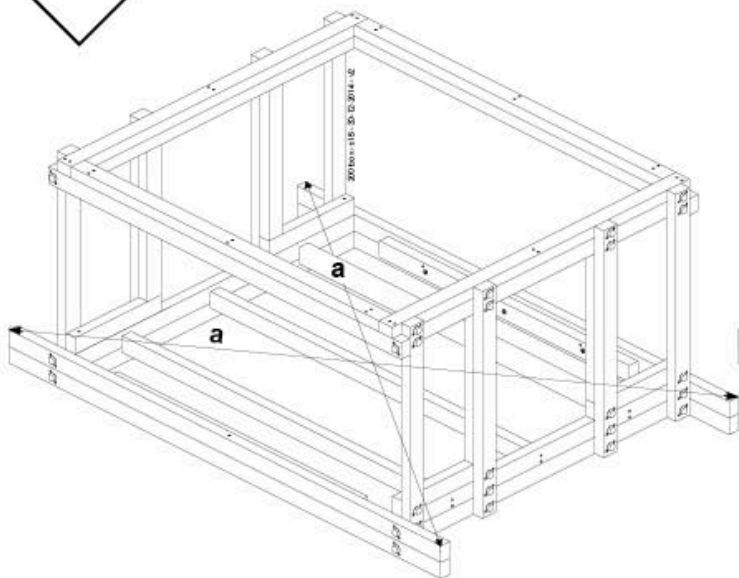


**6q**

12x 80 mm 



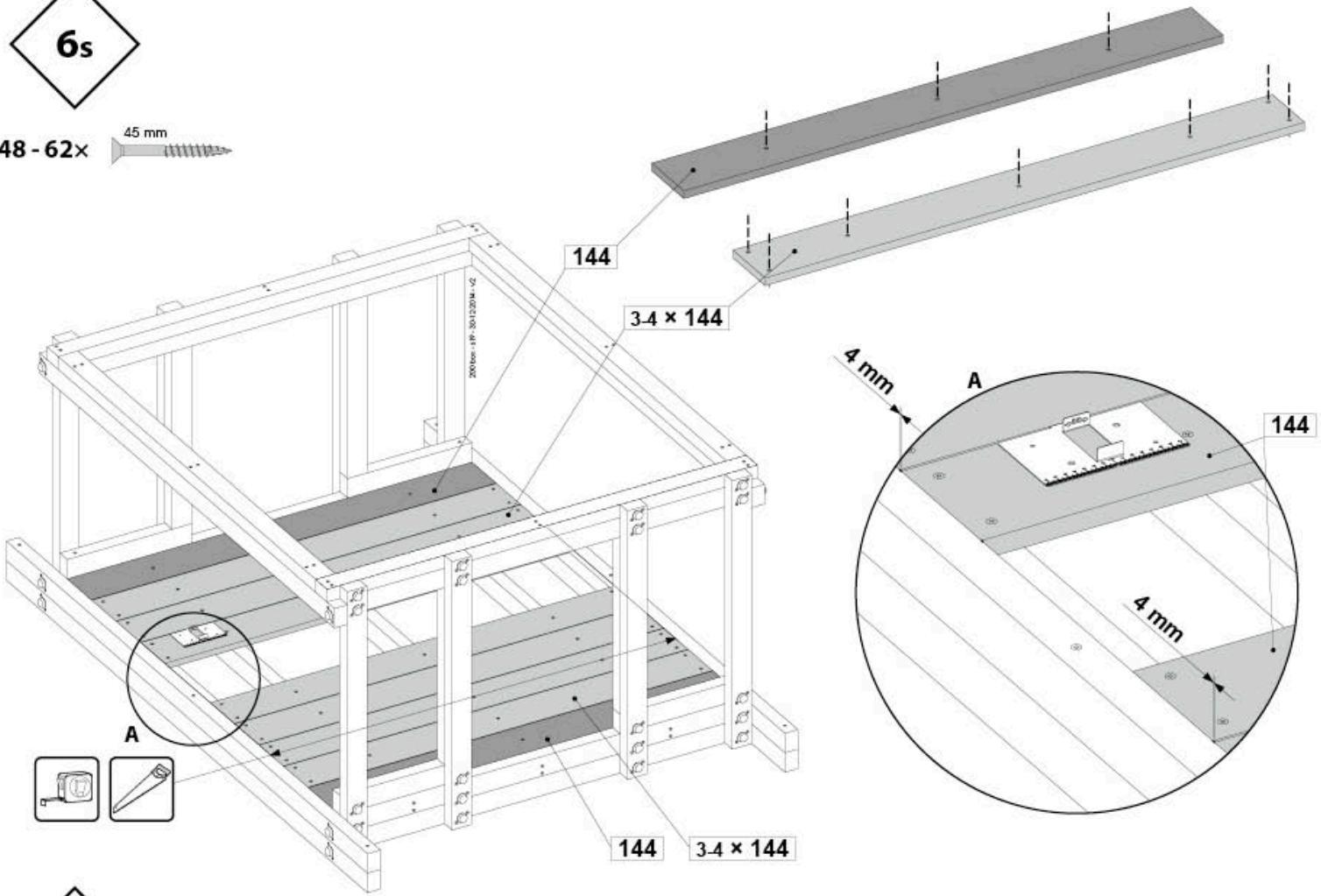
**6r**



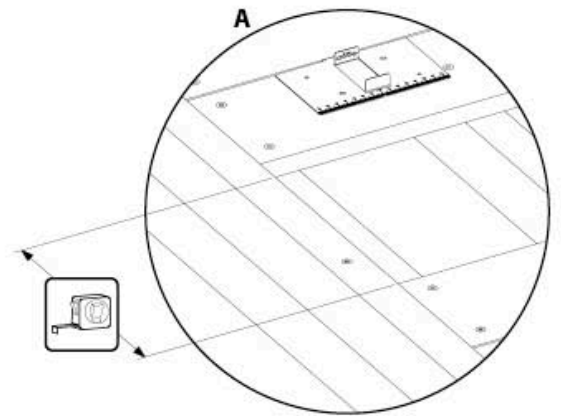
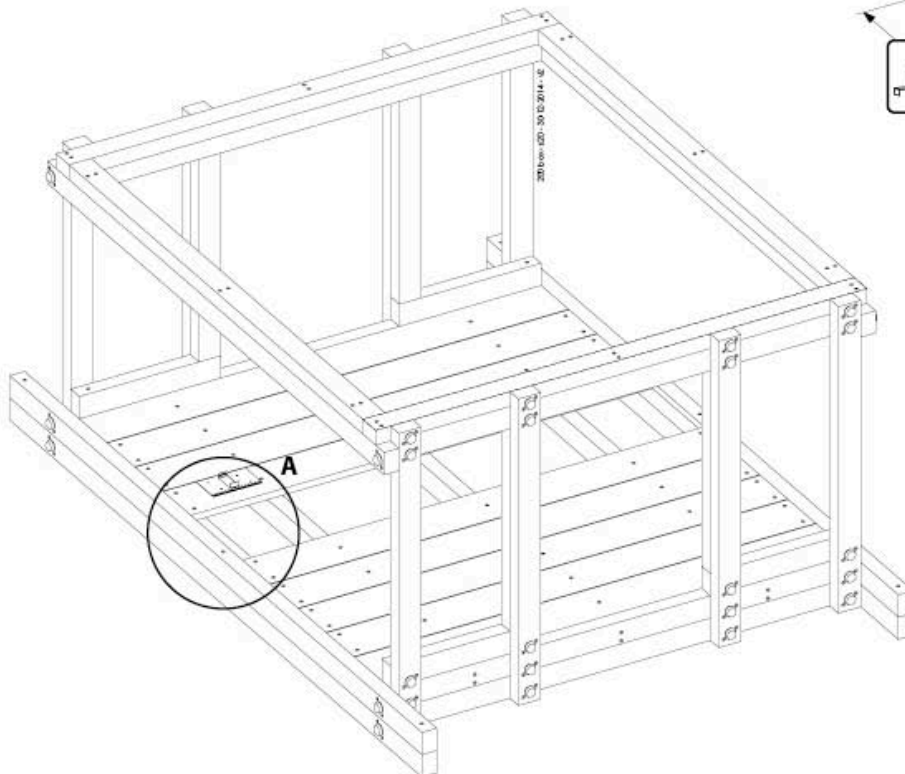
  
a = a  
b = b

**6s**

48 - 62x  45 mm

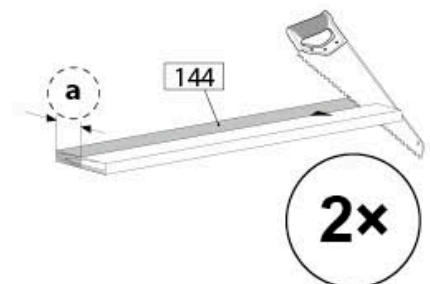


**6t**



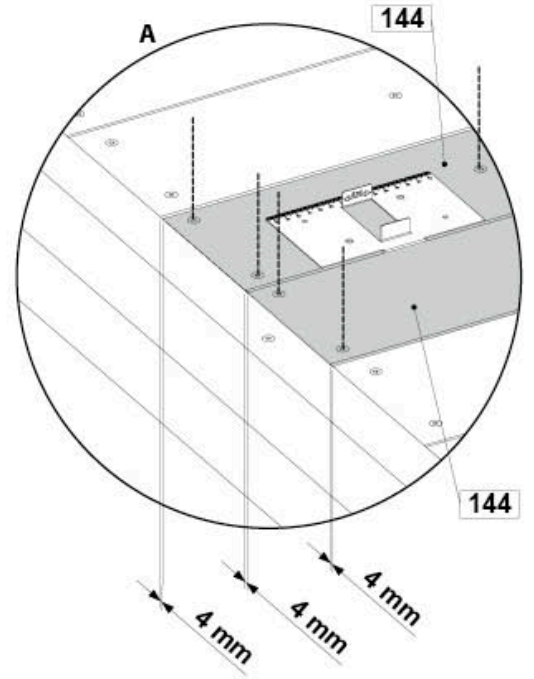
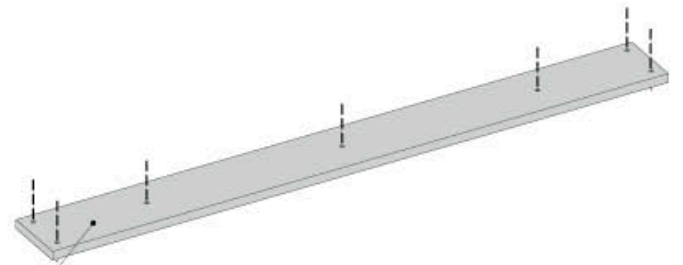
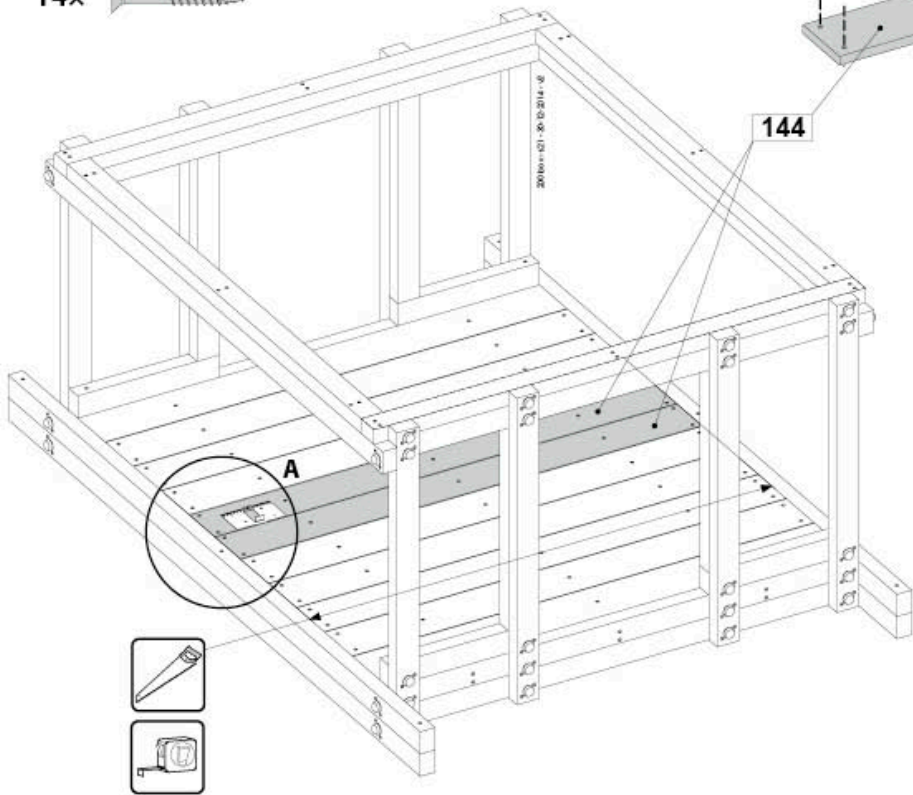
 - 1,2 cm  

$$\frac{\quad}{2} = \textcircled{a}$$



# 6u

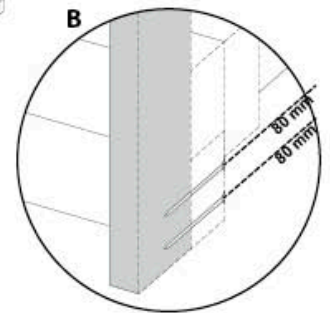
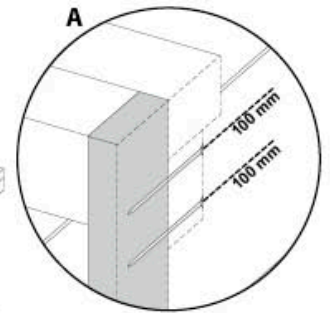
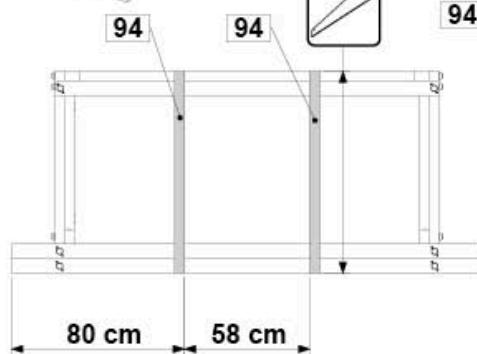
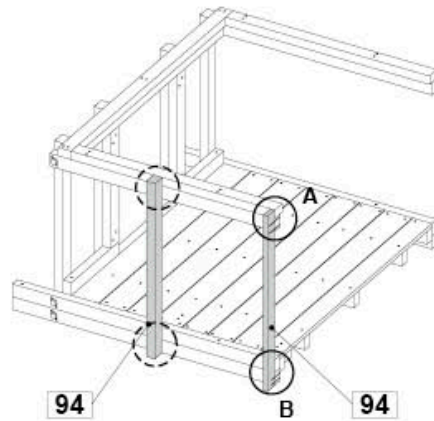
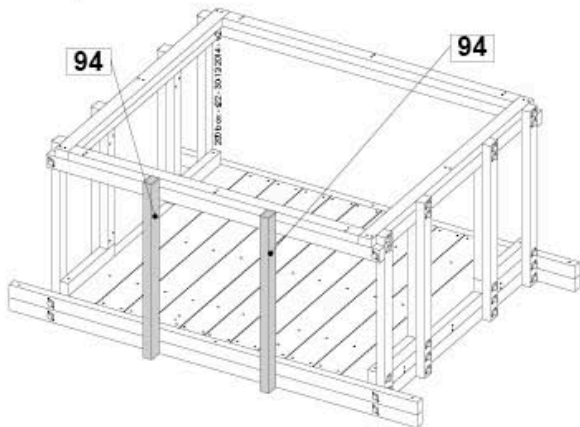
14x 45 mm



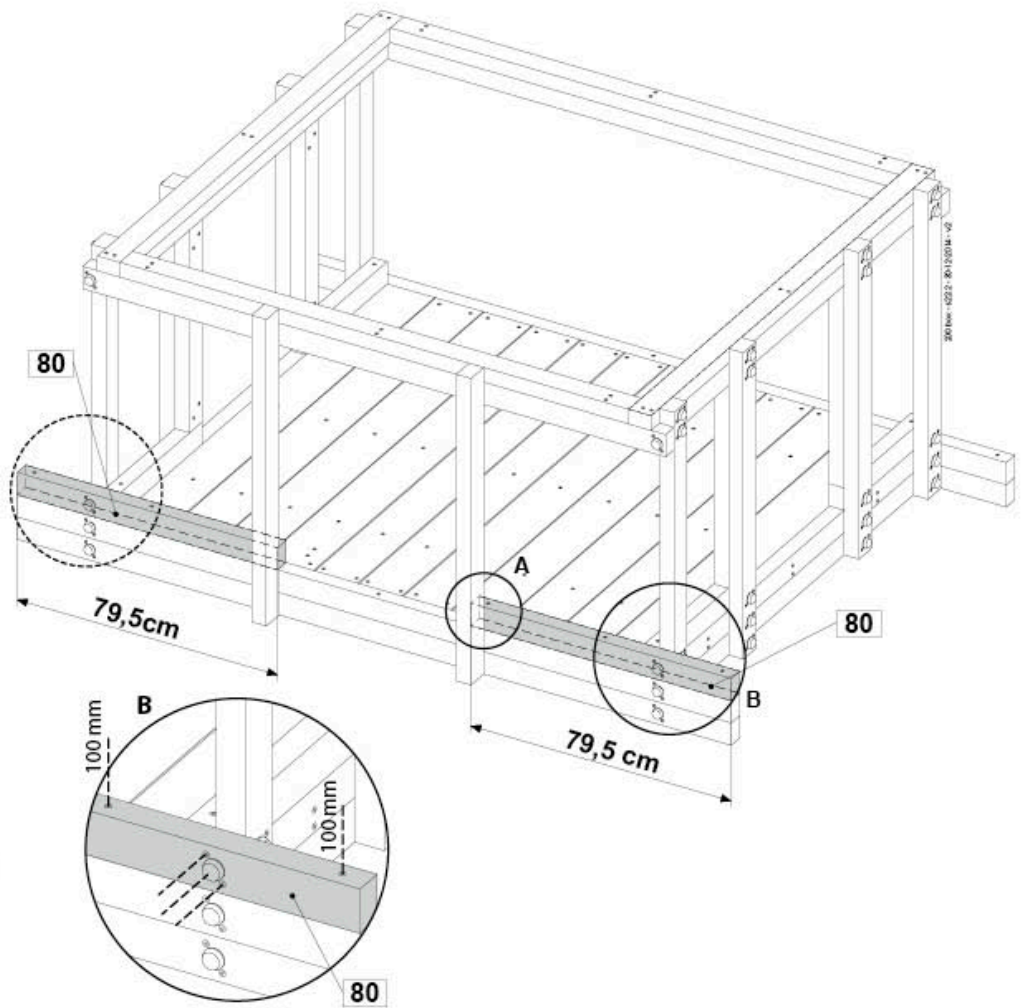
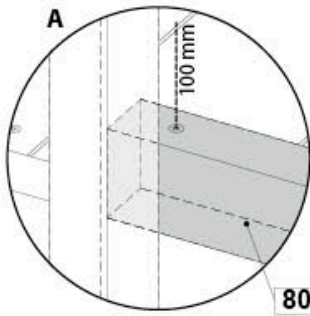
# 6v

4x 100 mm

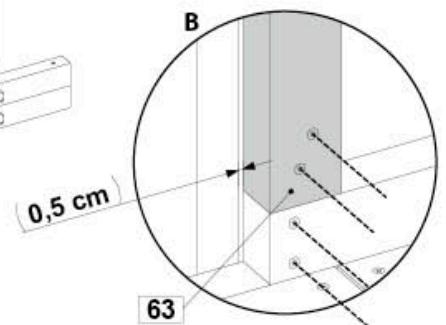
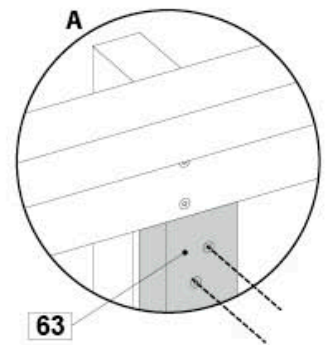
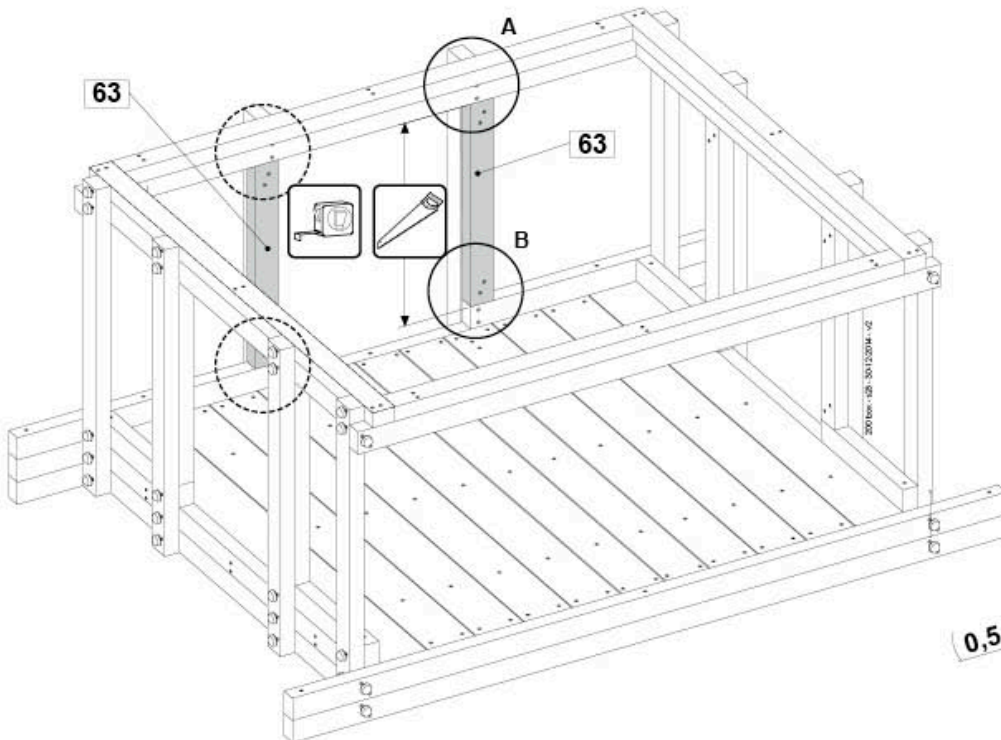
4x 80 mm



**6w**

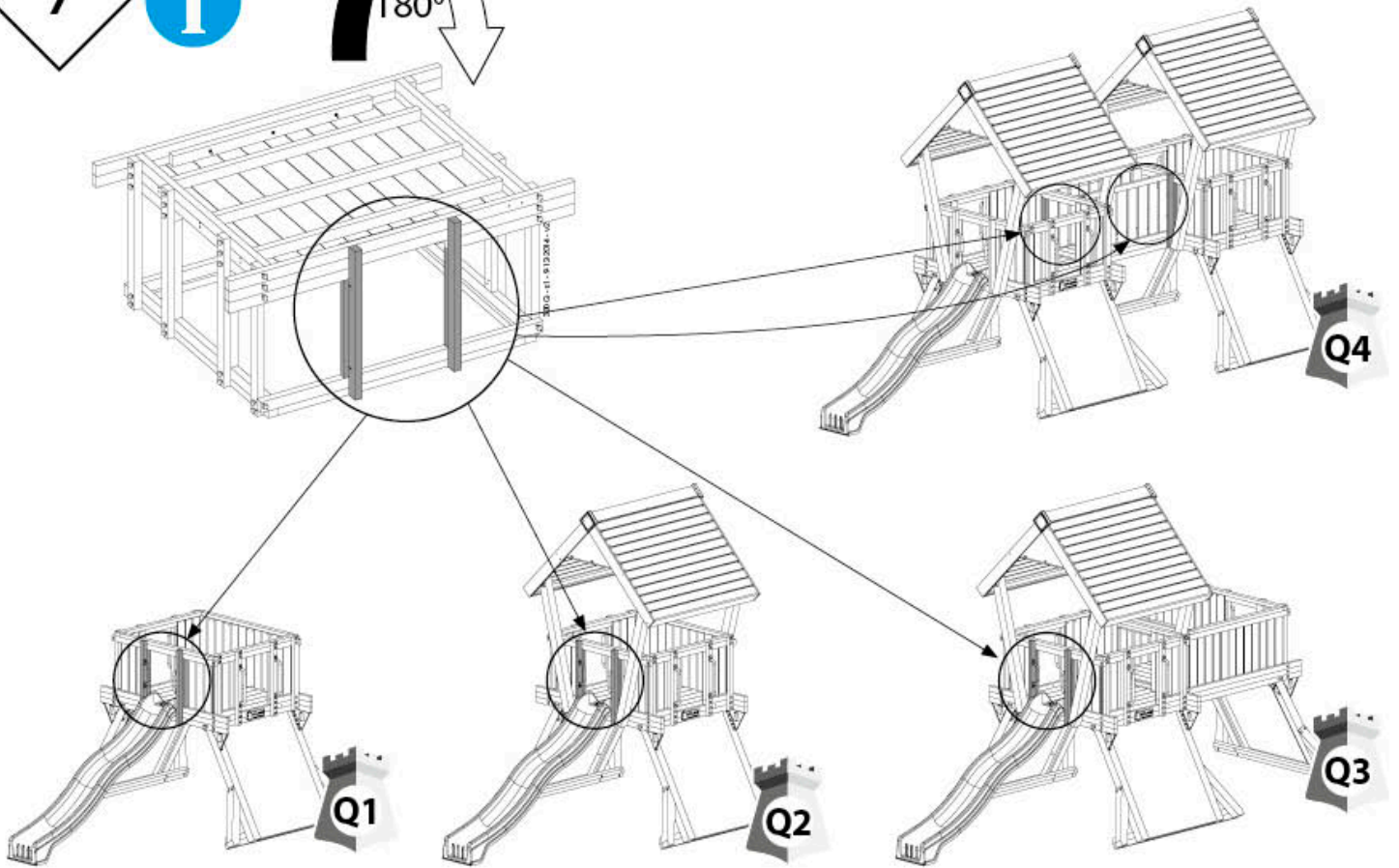
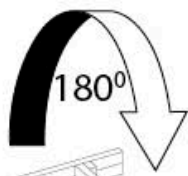


**6x**

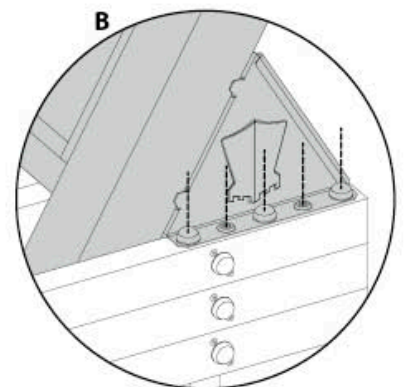
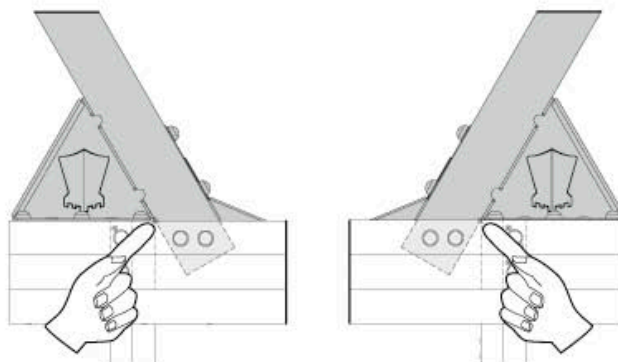
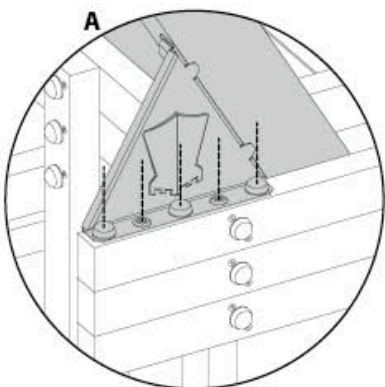
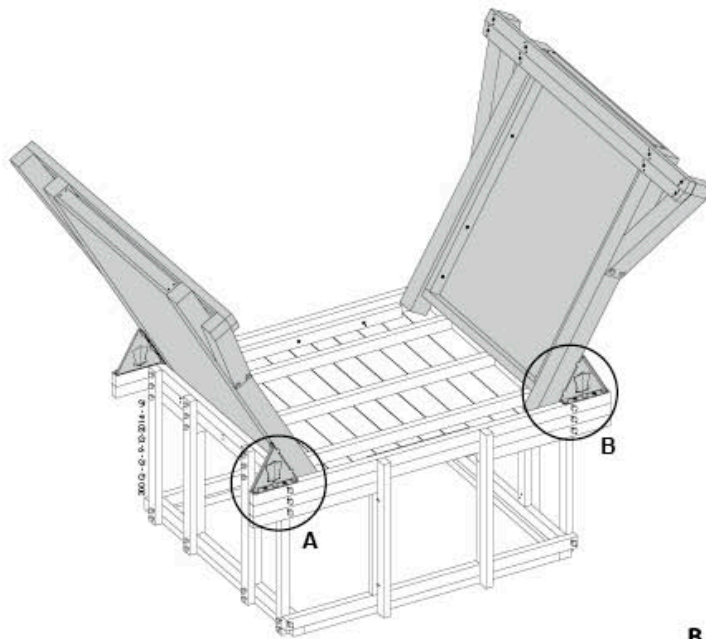
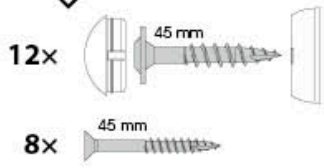




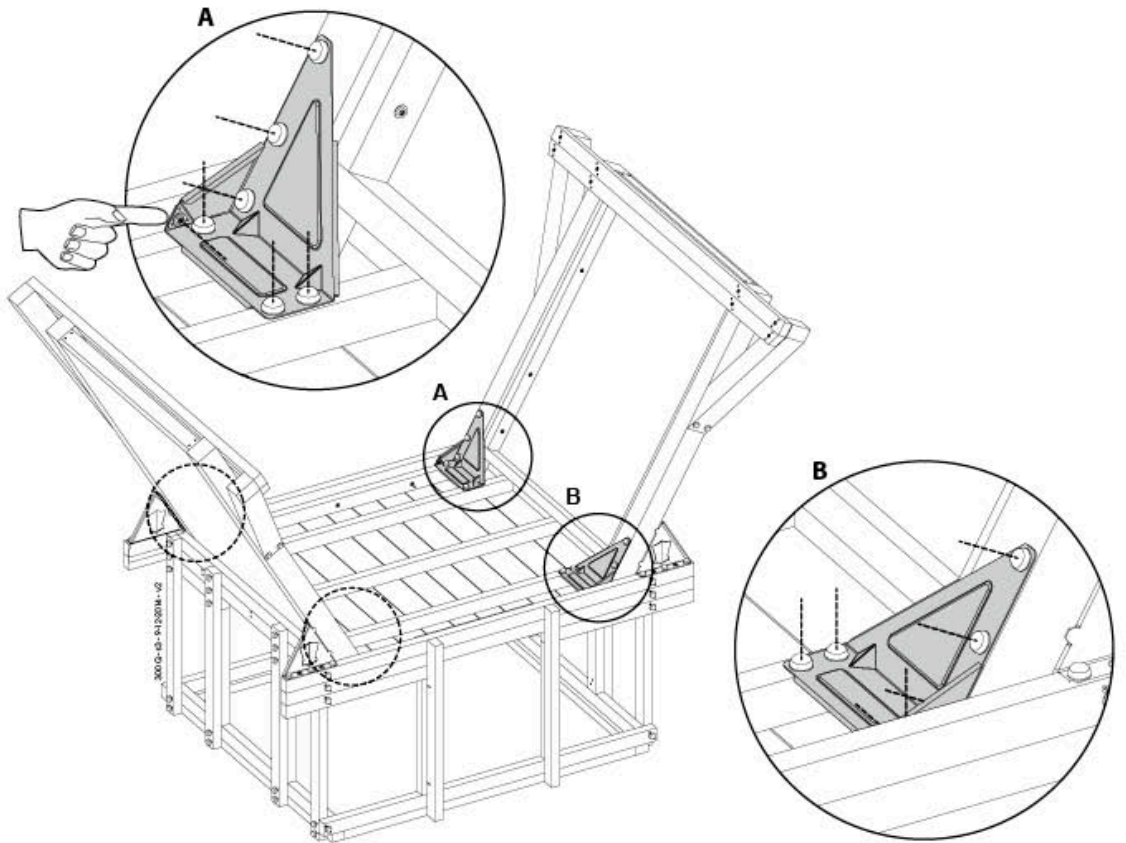
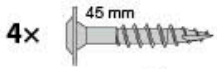
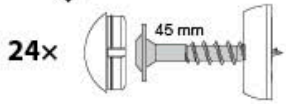
7



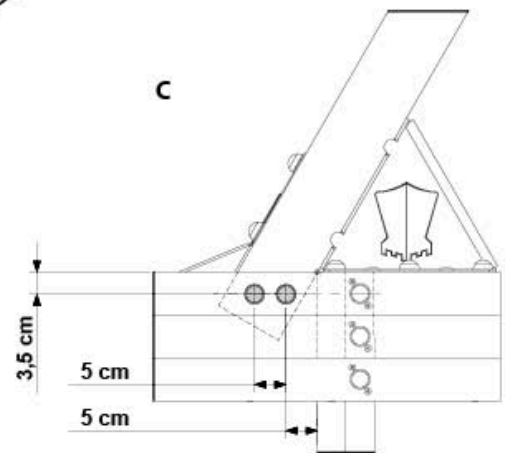
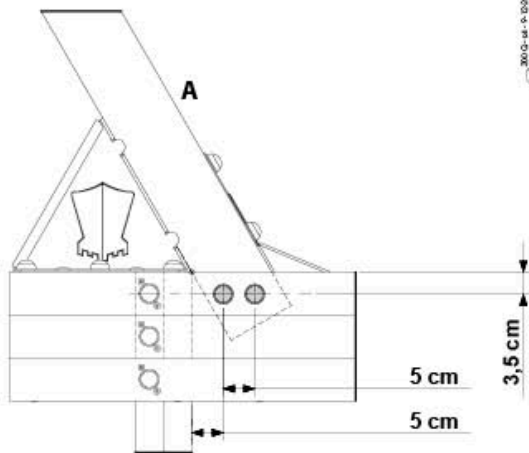
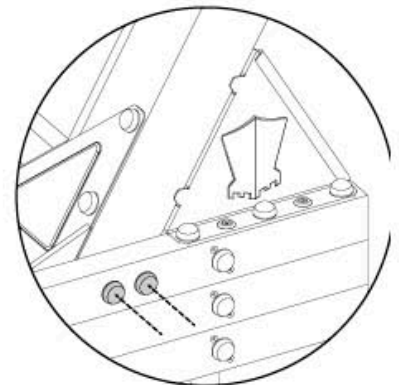
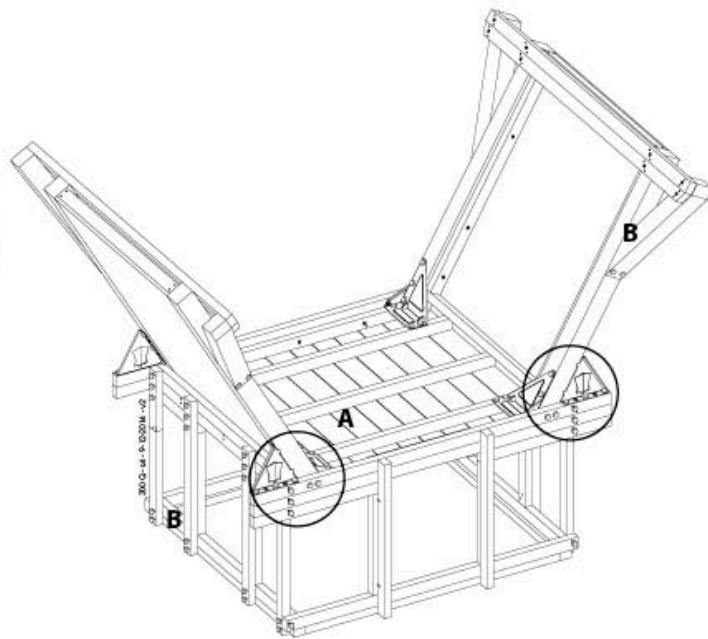
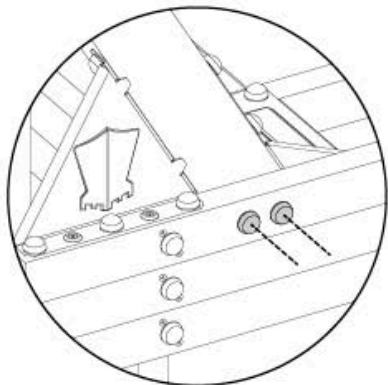
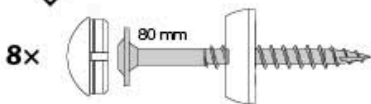
7a



**7b**



**7c**



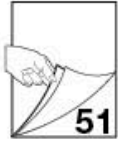
**7d**



**6a** — **7c**

**2x**

7e



8

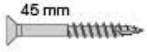


9

8a



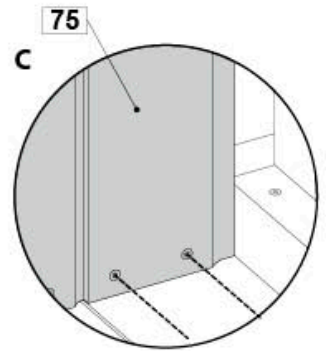
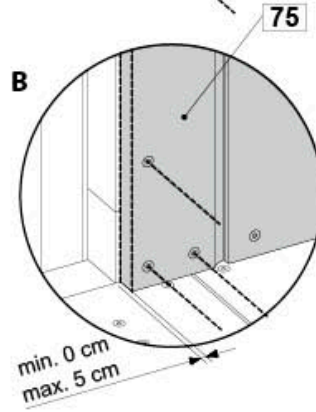
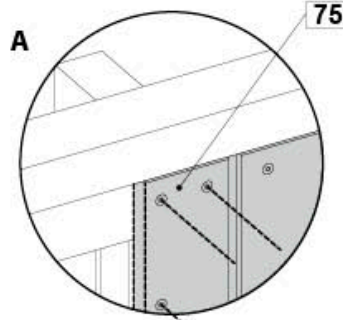
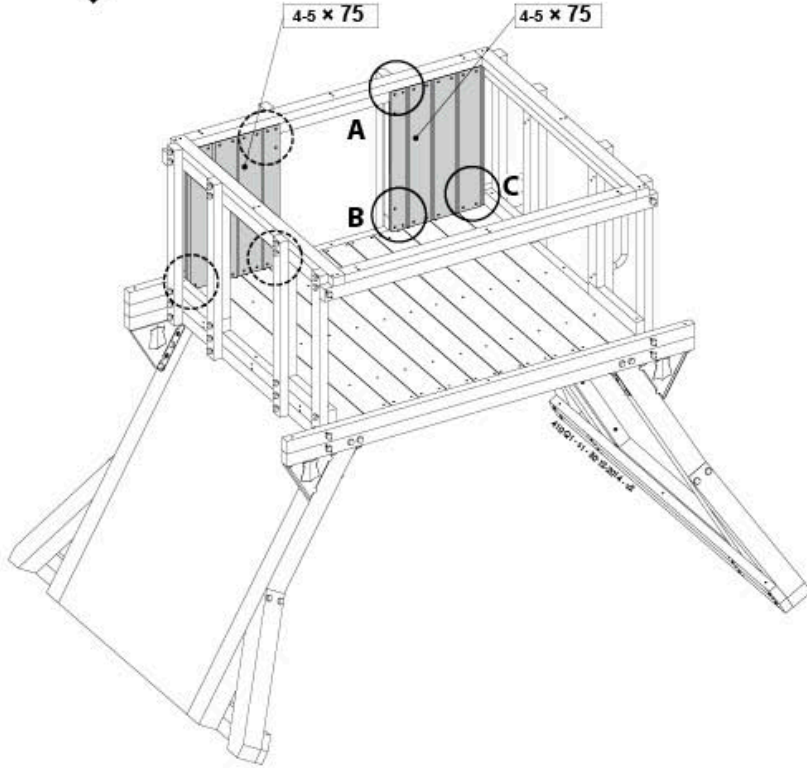
36 - 44x 45 mm



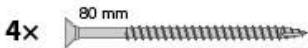
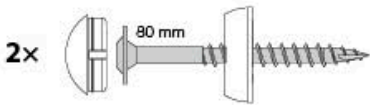
4-5 x 75

4-5 x 75

A B C

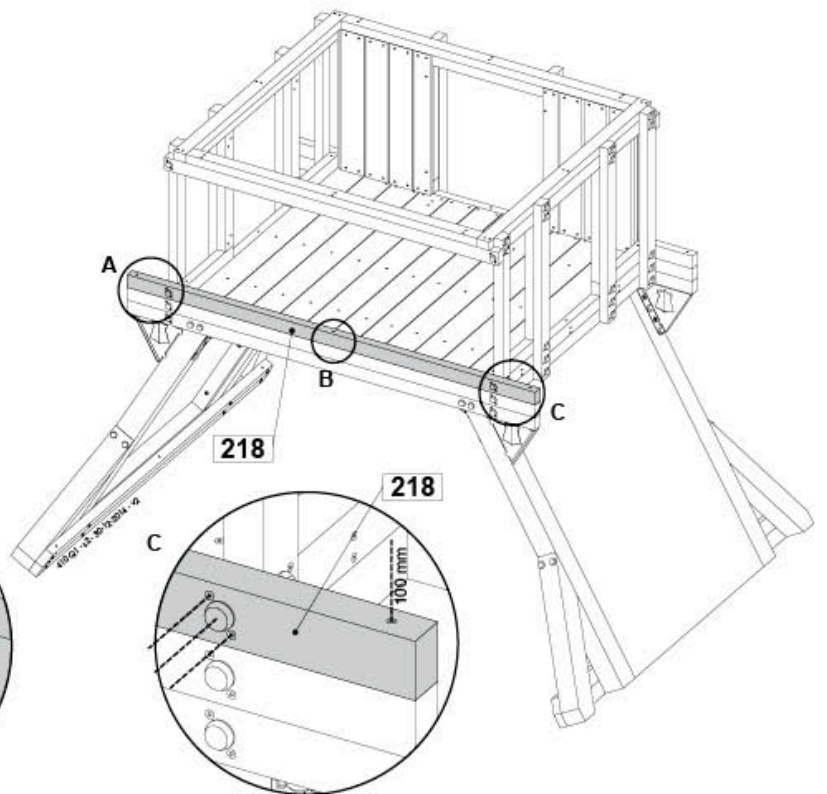
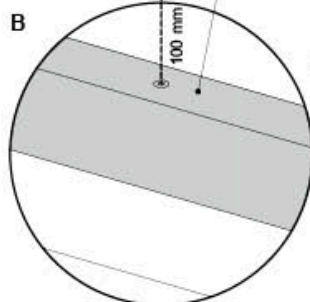
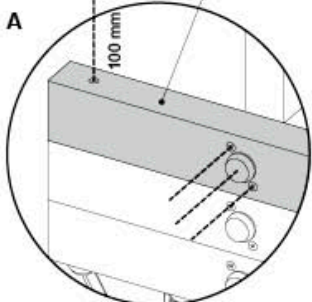


8b



218

218

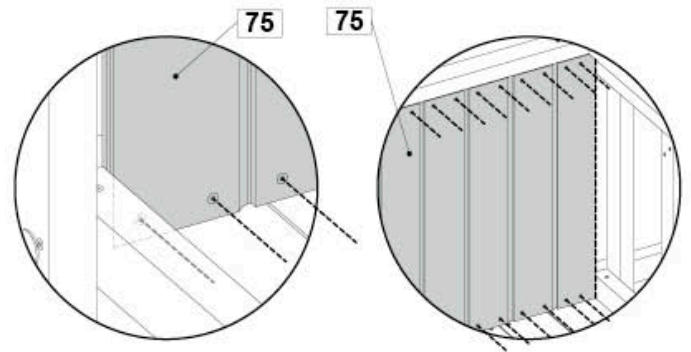
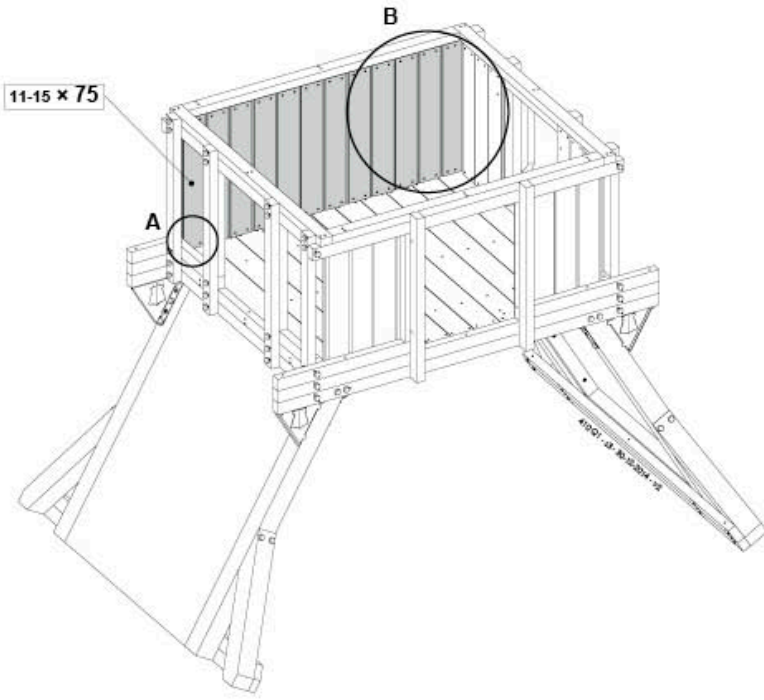


8c



44 - 60x

45 mm

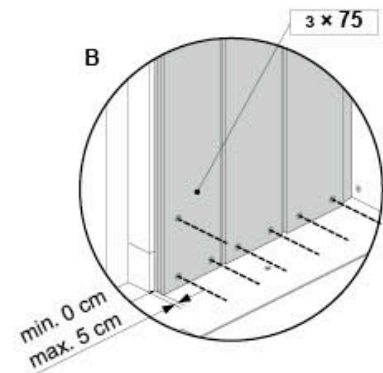
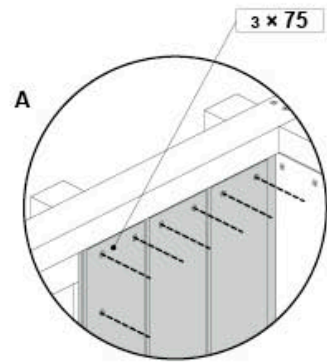
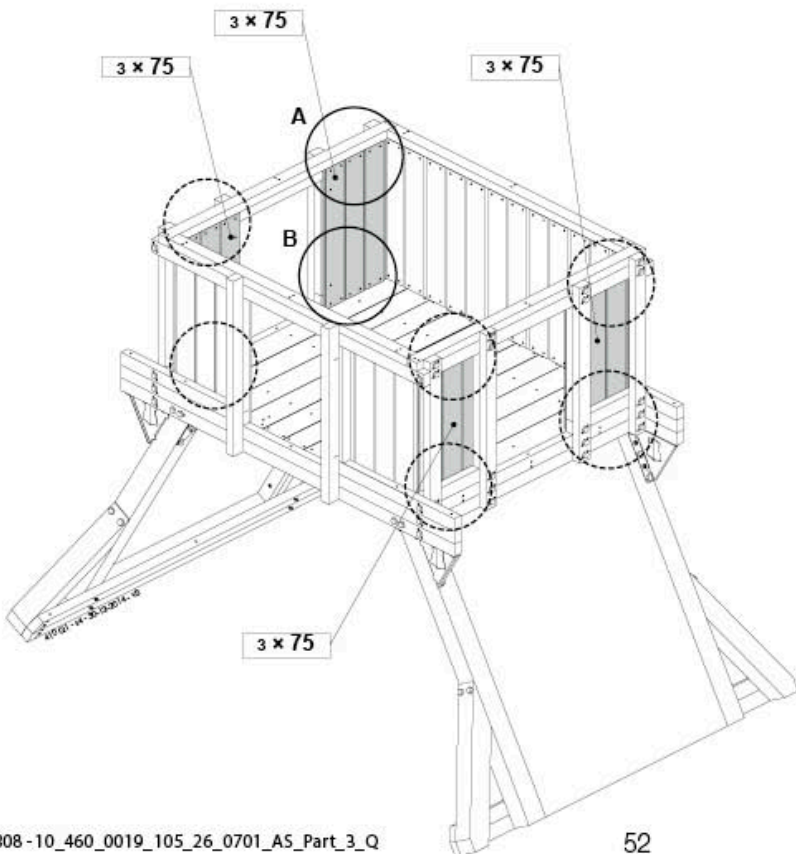


8d



56x

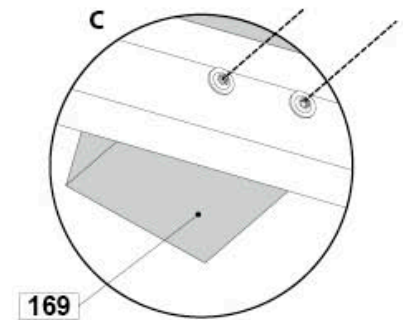
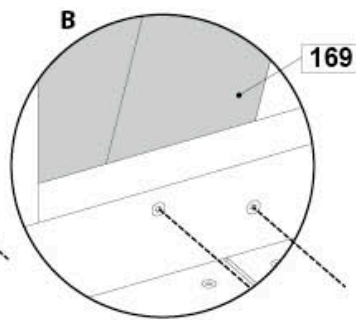
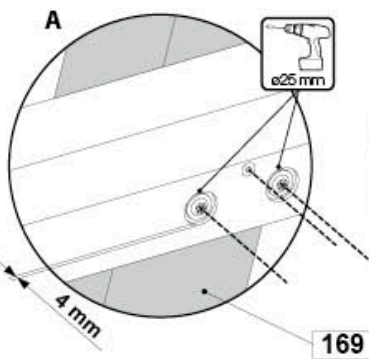
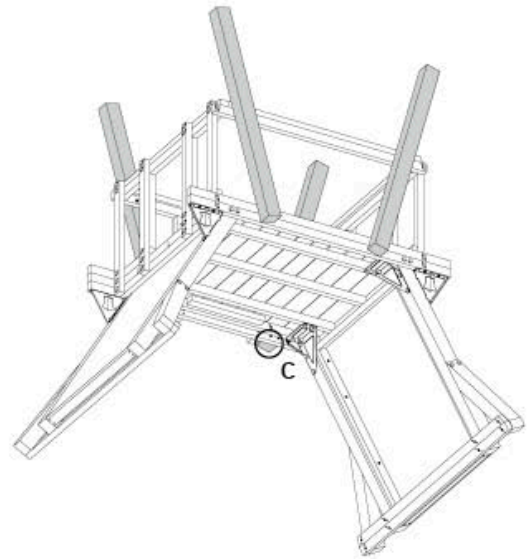
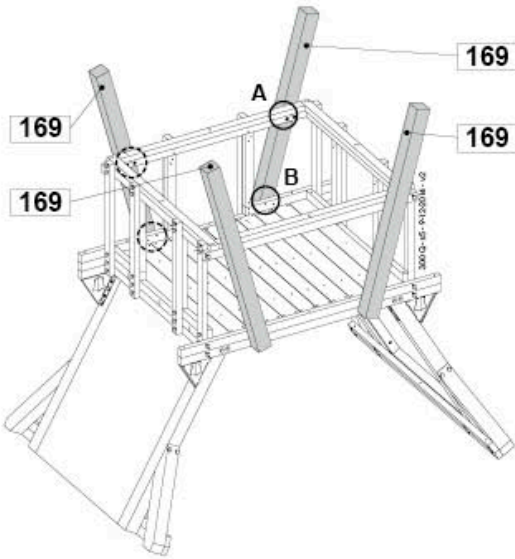
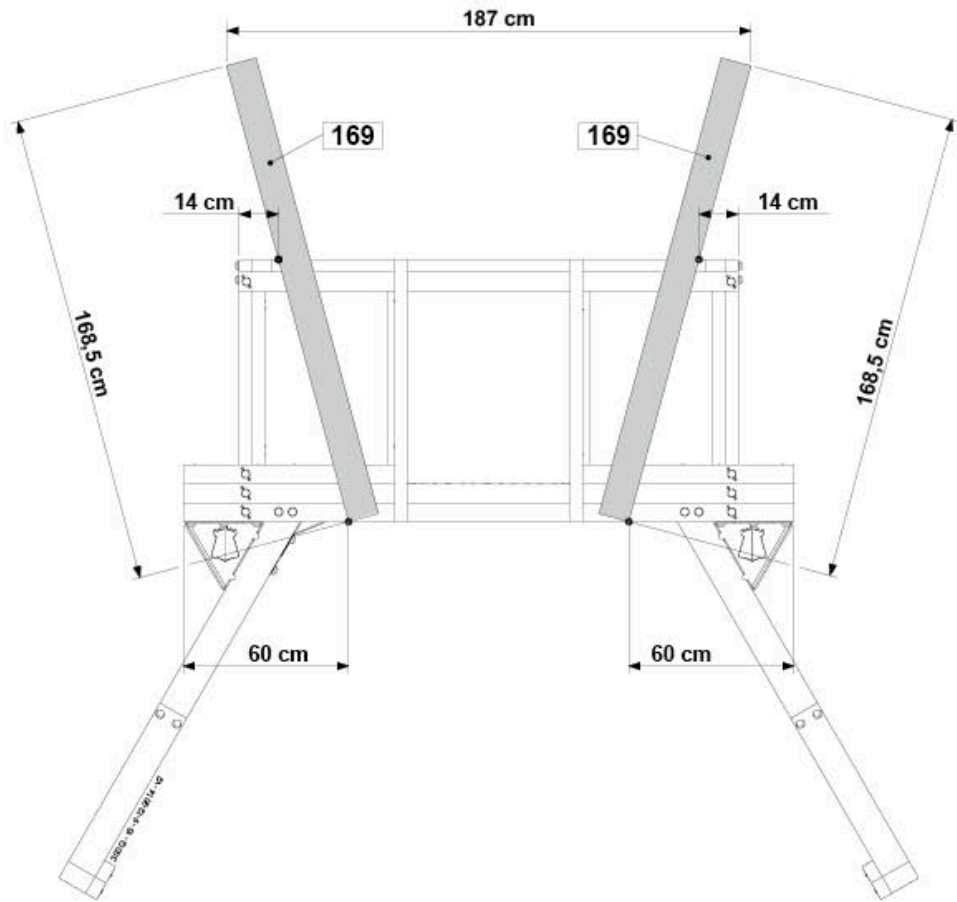
45 mm



9a

16x 80 mm

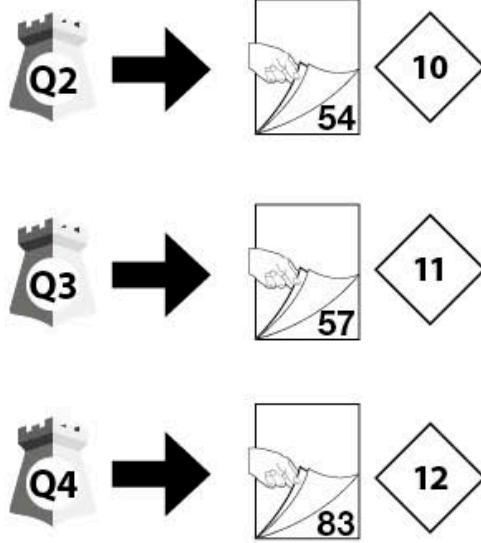
8x 80 mm



9a

2x

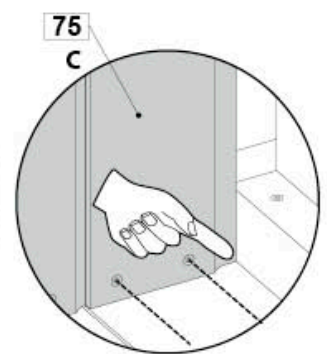
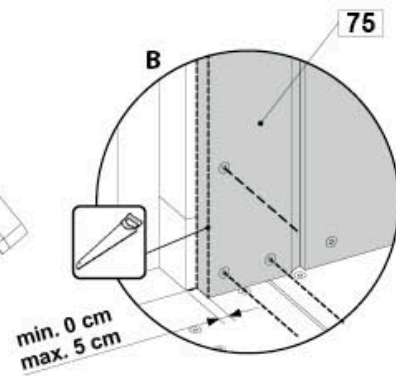
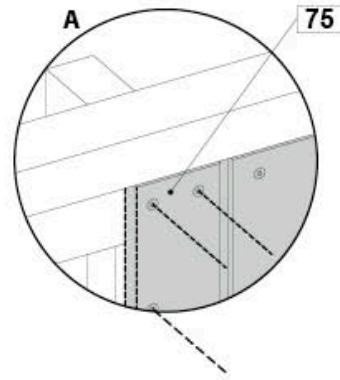
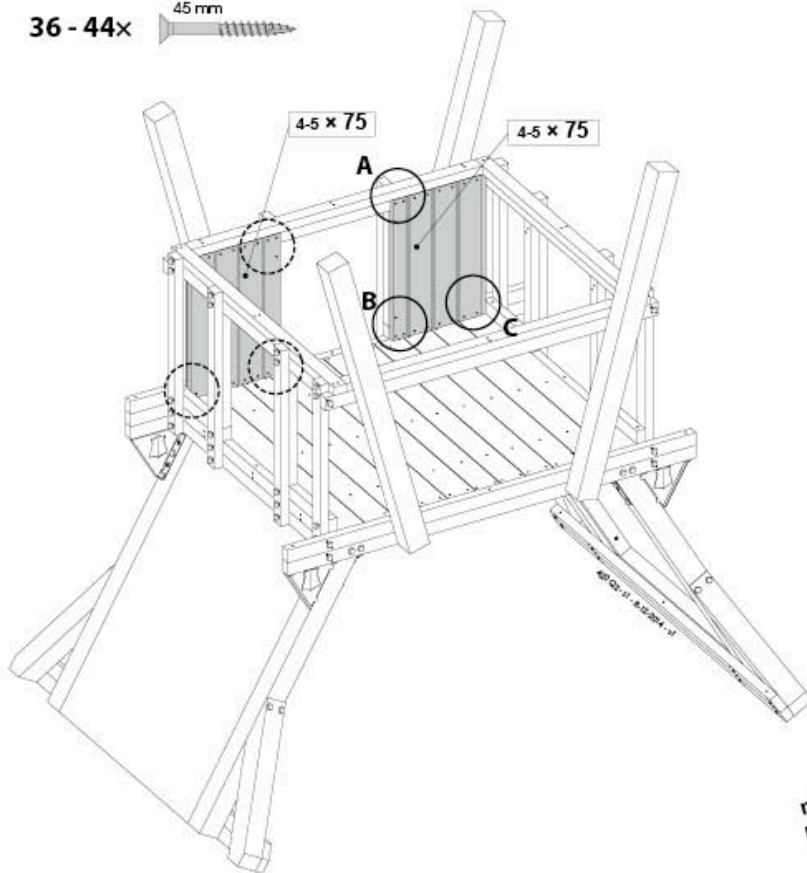
9b



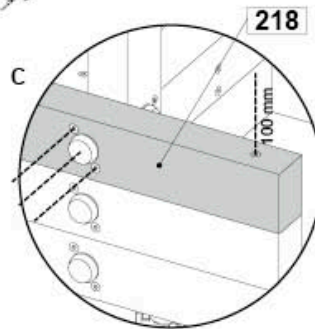
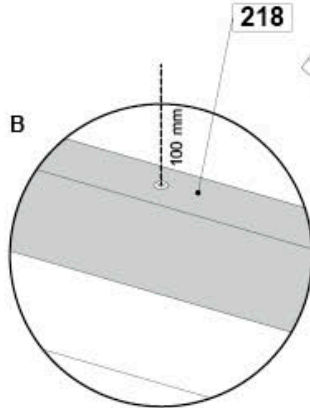
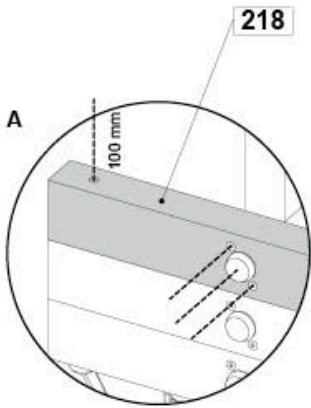
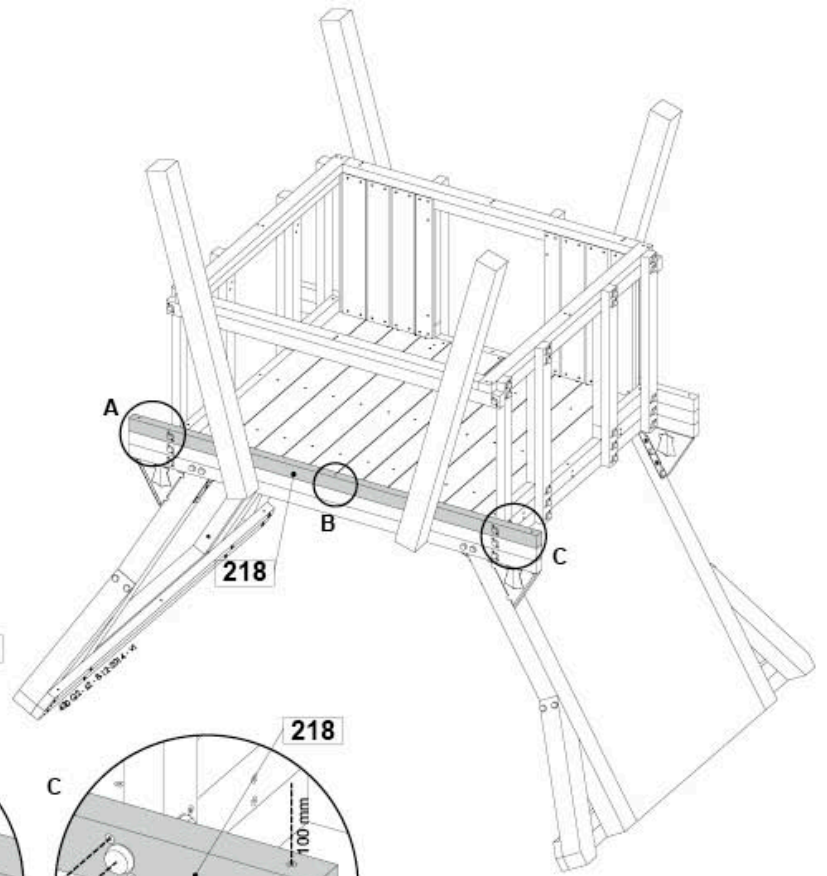
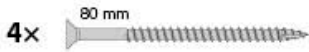
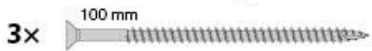
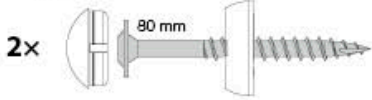
10a



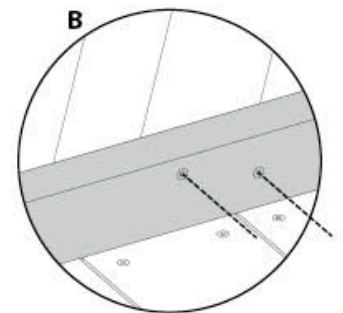
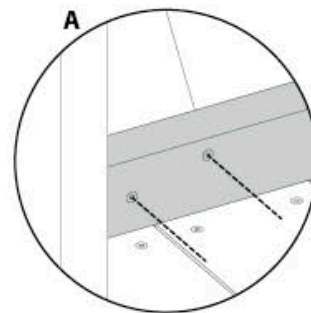
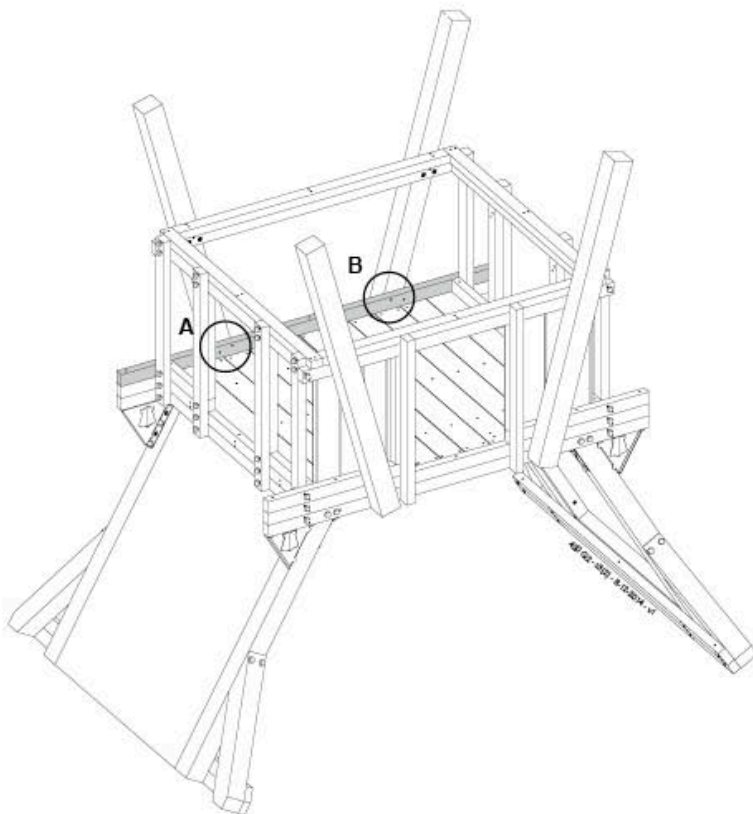
36 - 44x 45 mm



**10b**



**10c**

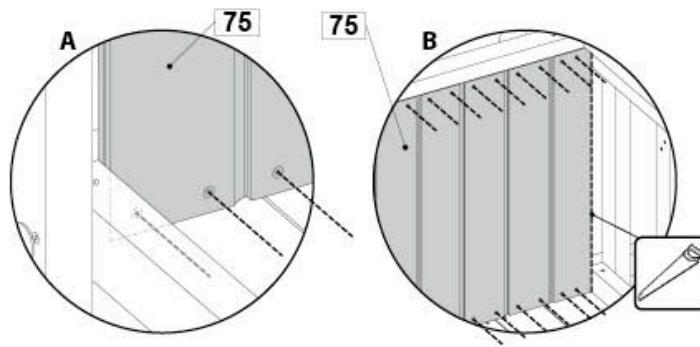
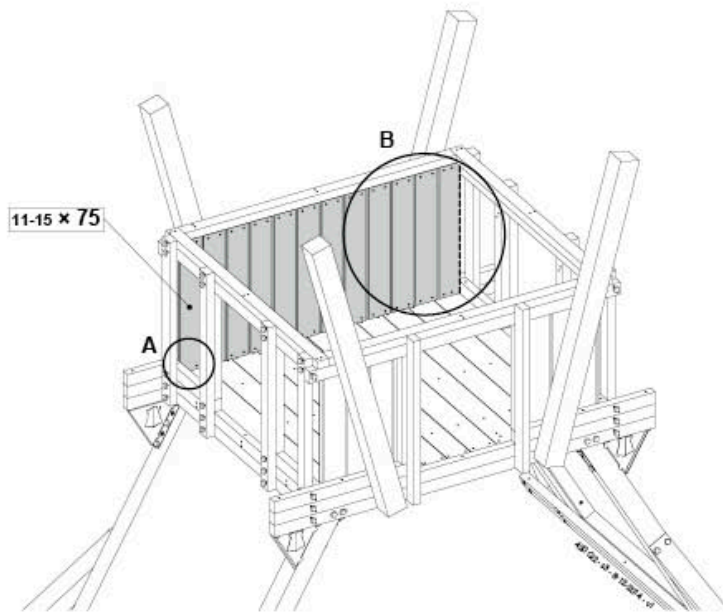


10d



44 - 60x

45 mm

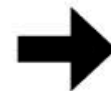
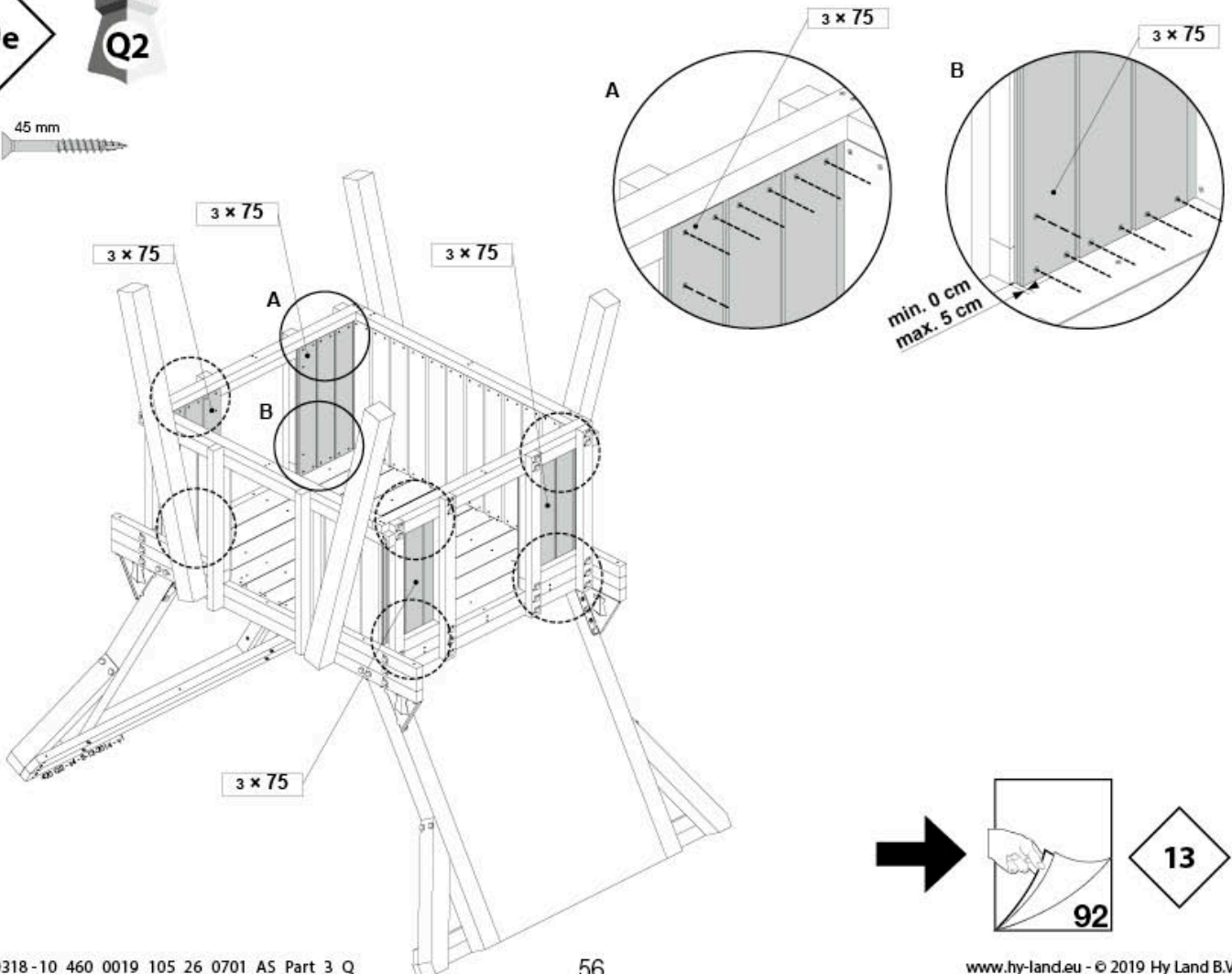


10e



56x

45 mm

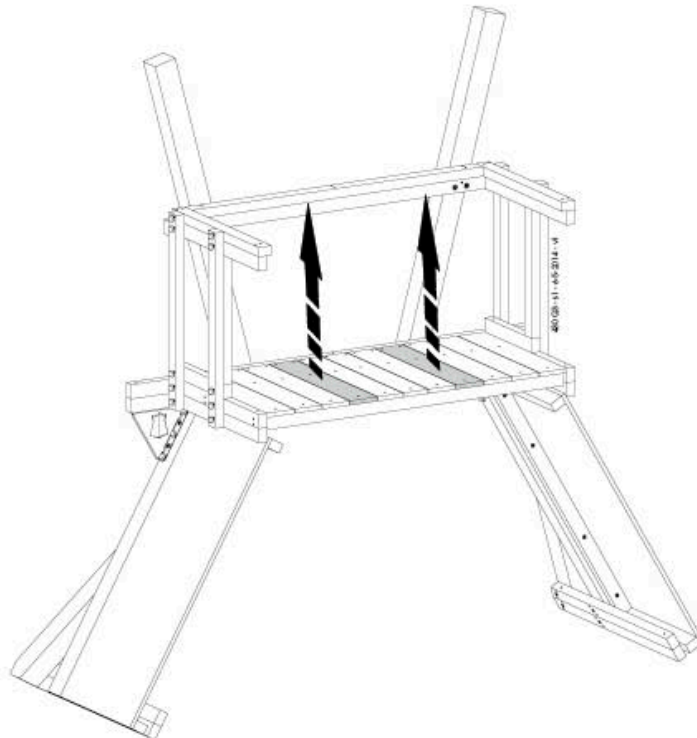


13



11.1a

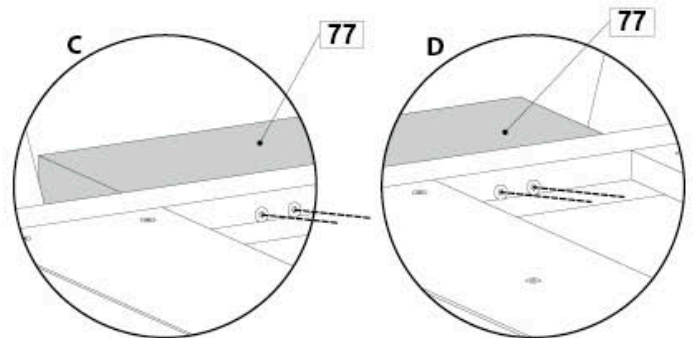
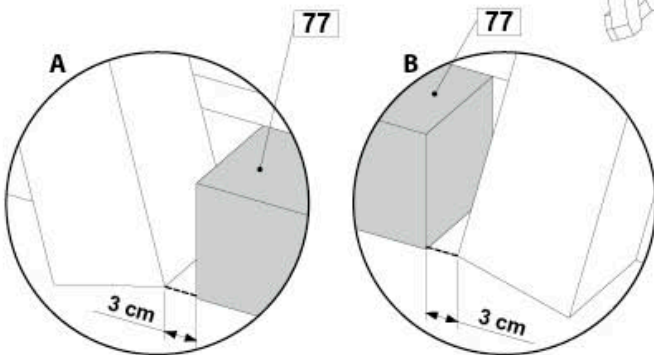
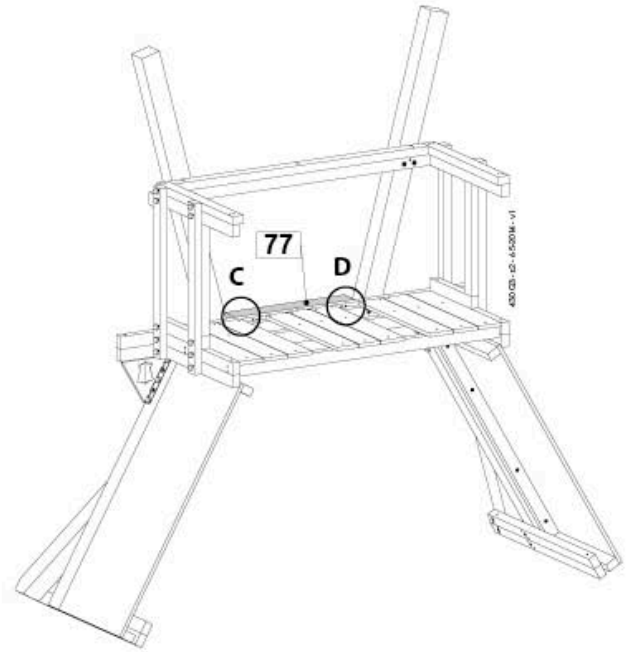
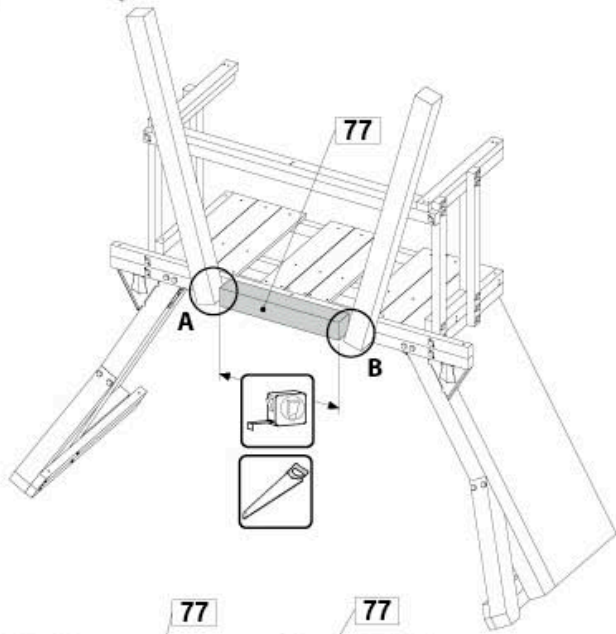
Q3



**11.1b**



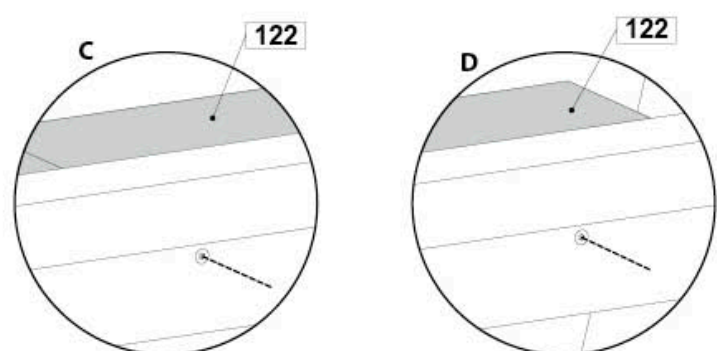
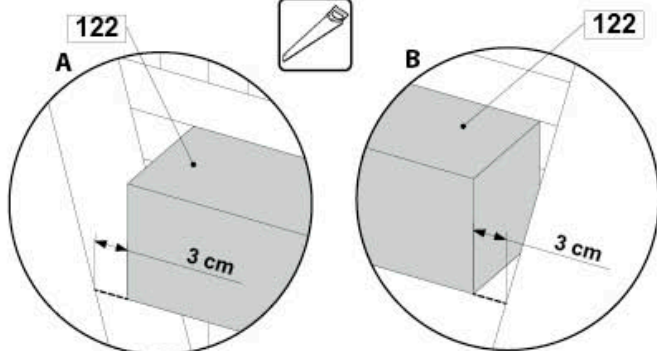
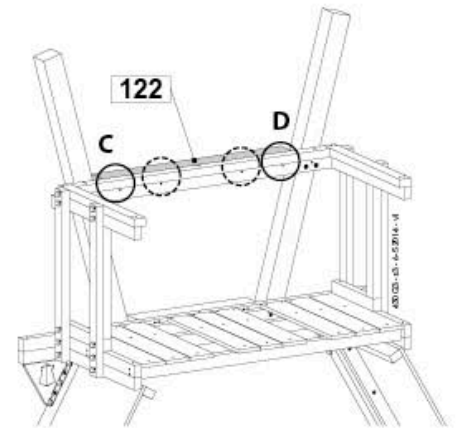
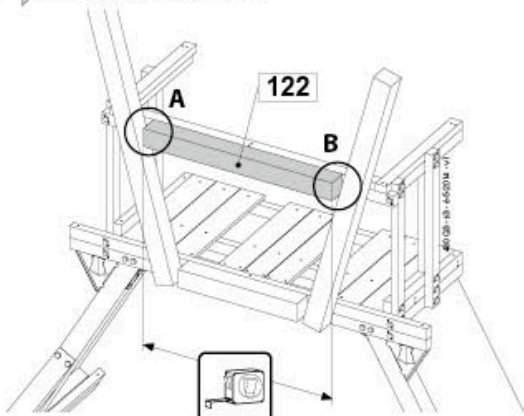
4x 80 mm



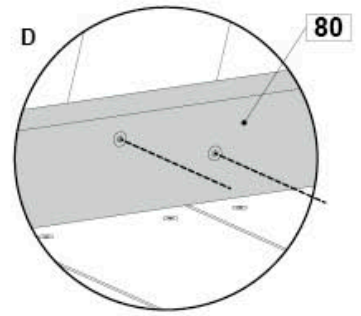
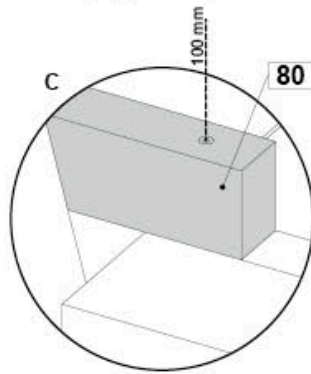
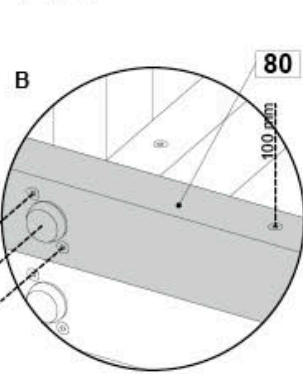
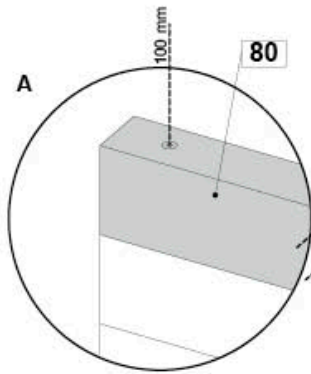
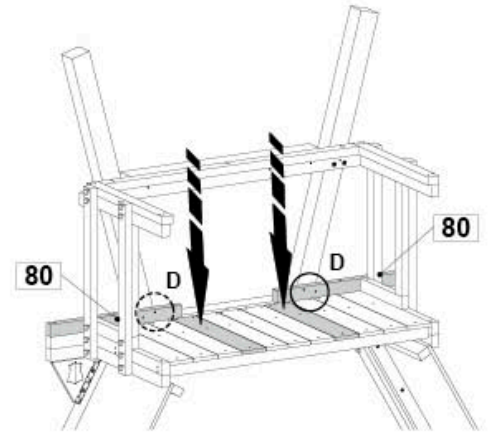
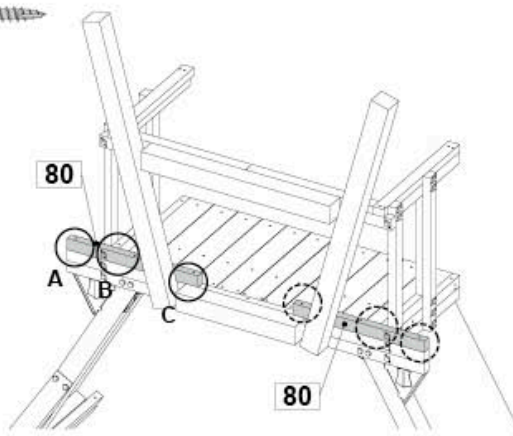
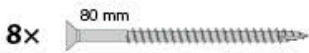
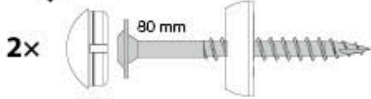
**11.1c**



4x 80 mm



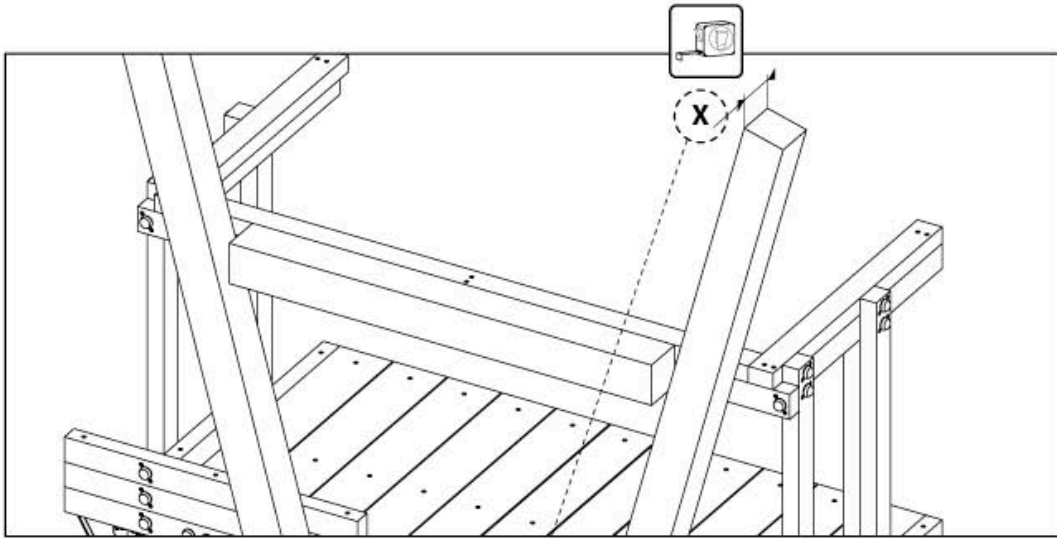
11.1d



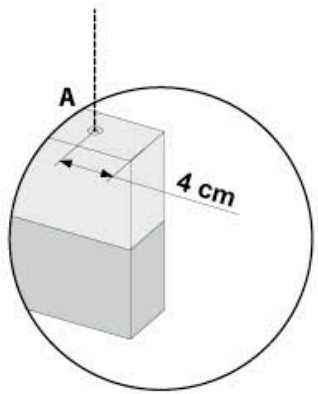
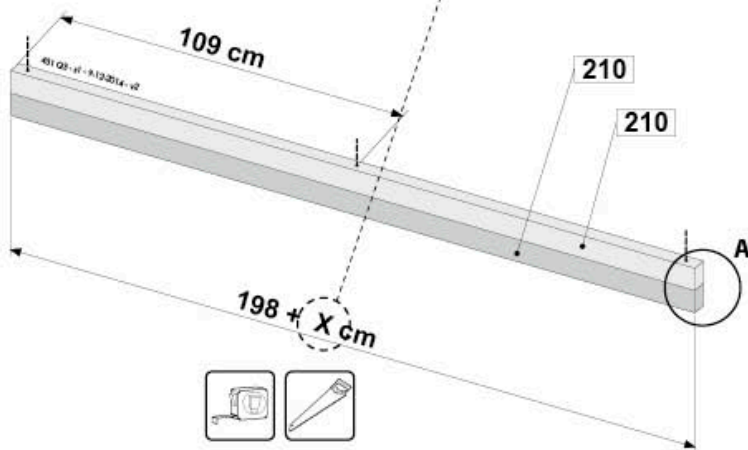
11.2a

Q3

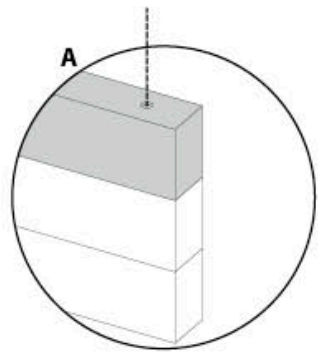
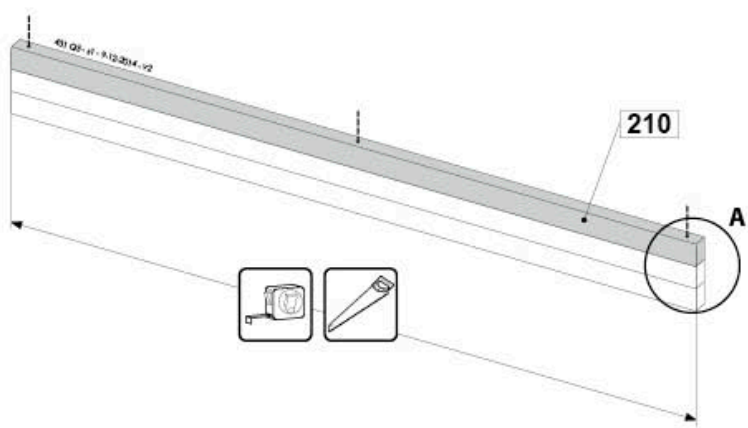
12x 100 mm



1



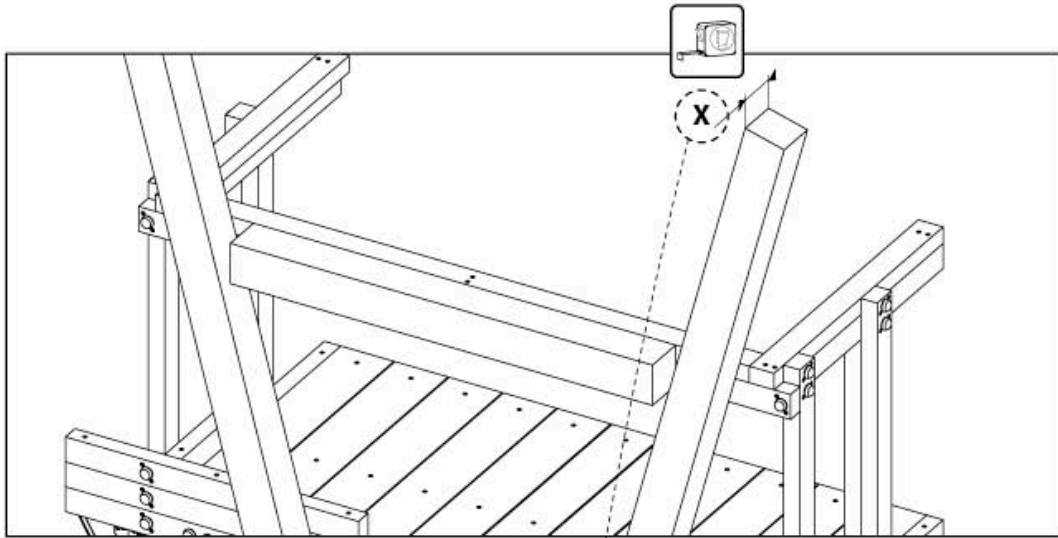
2




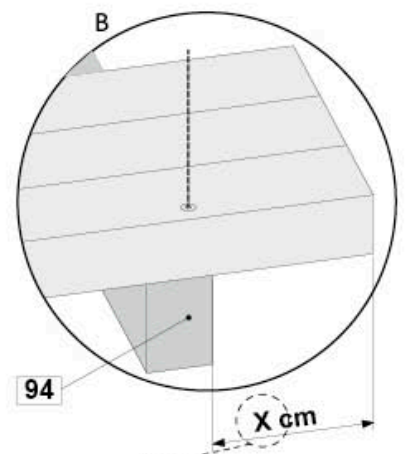
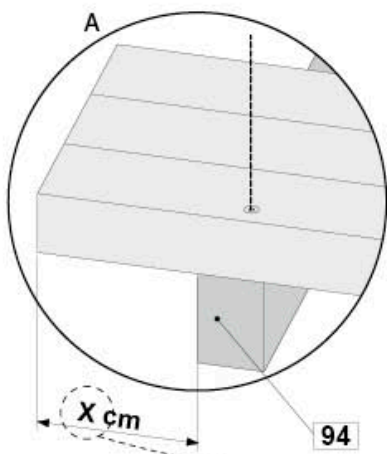
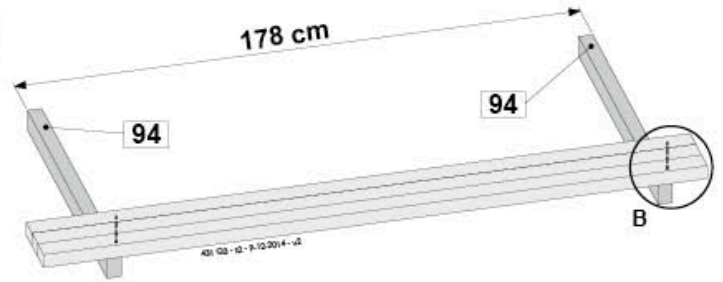
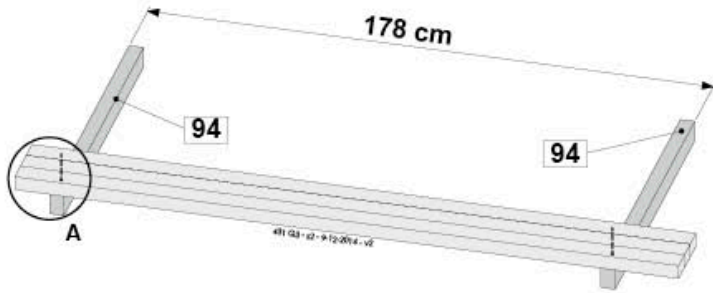
3

11.2a

2x



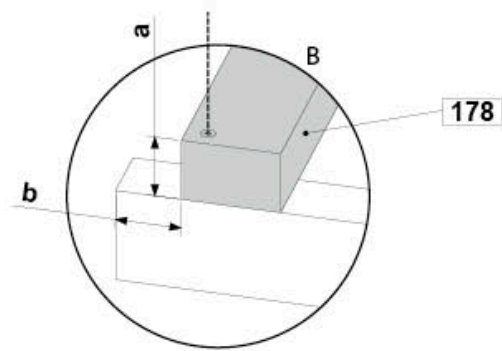
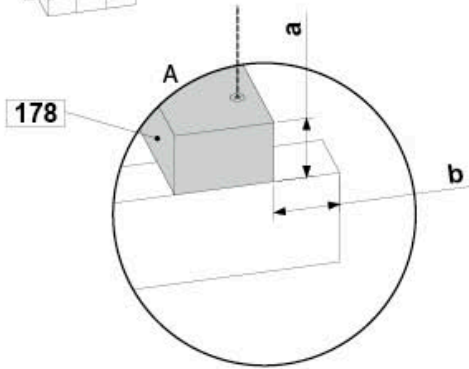
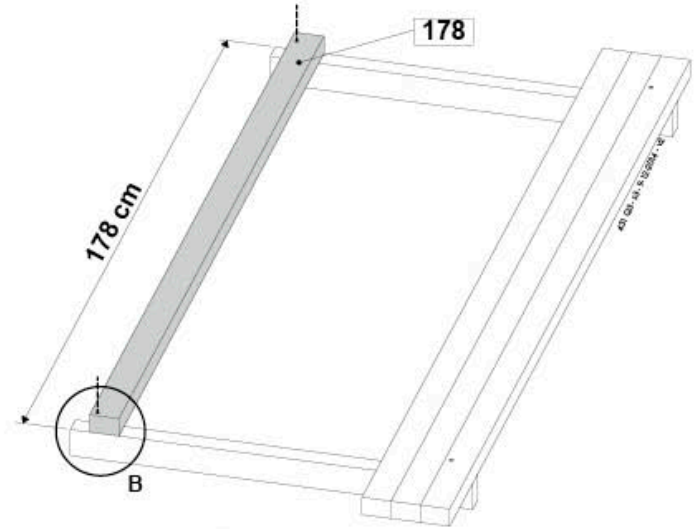
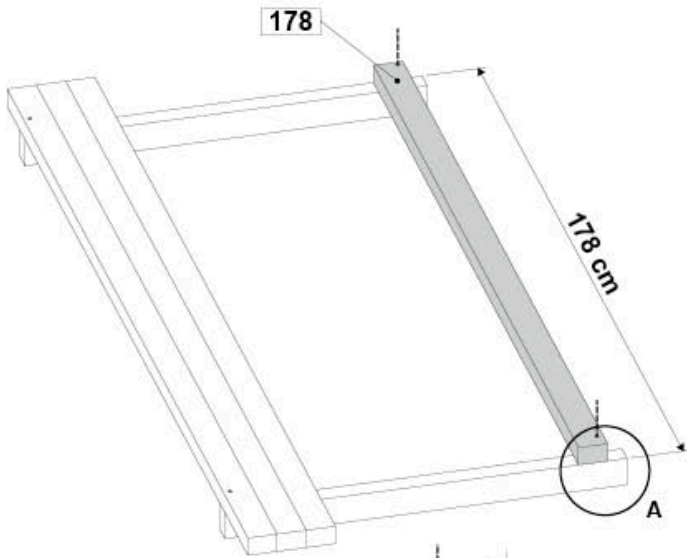
4x 80 mm

11.2c

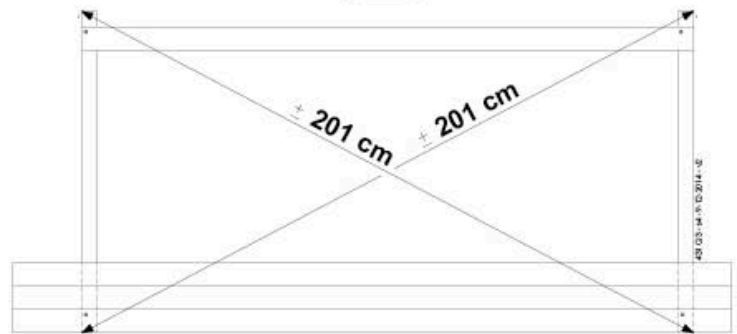
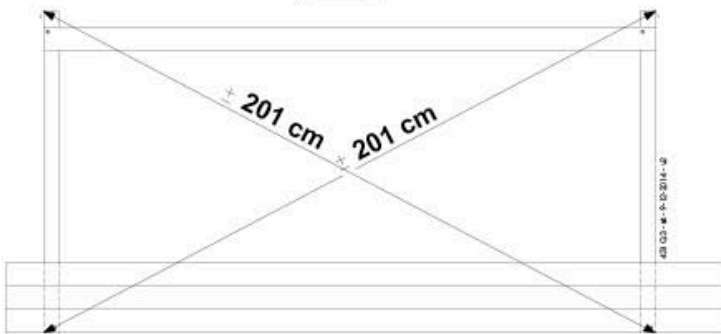


4x 80 mm

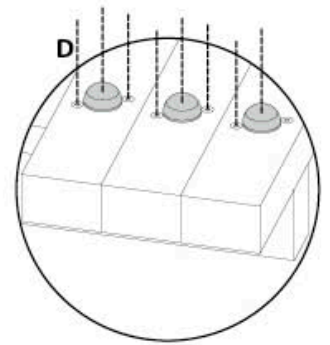
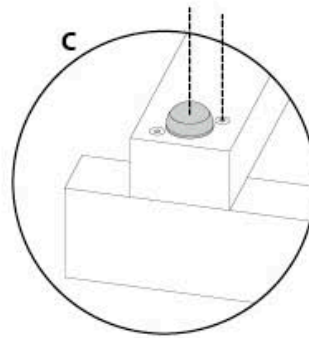
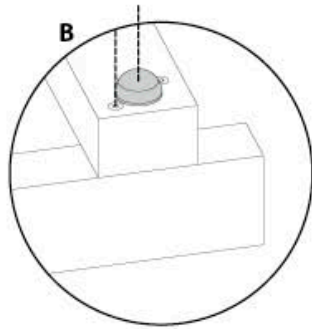
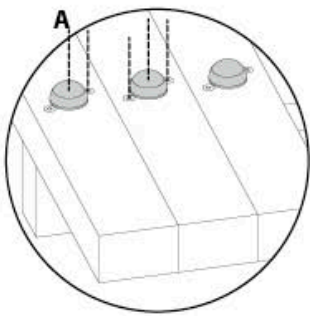
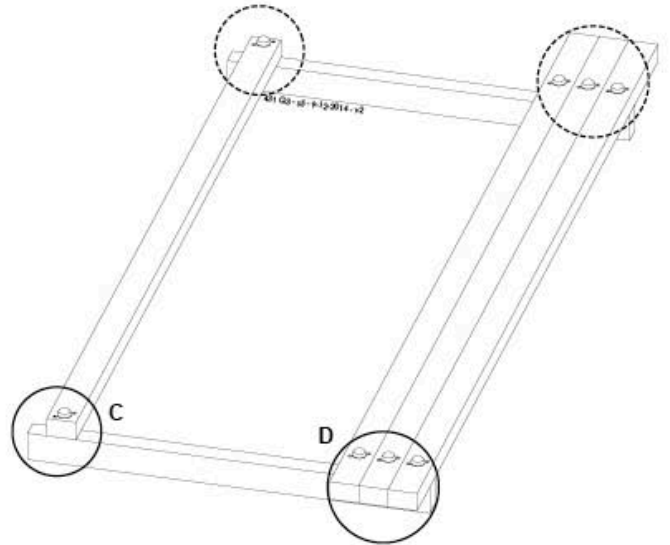
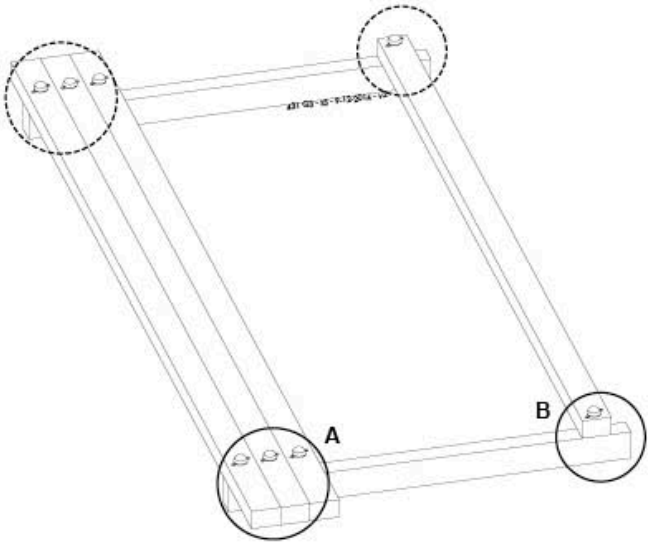
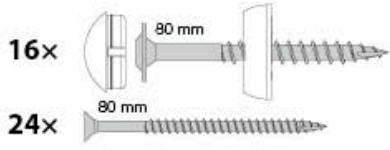


a = a  
b = b

11.2d



11.2e

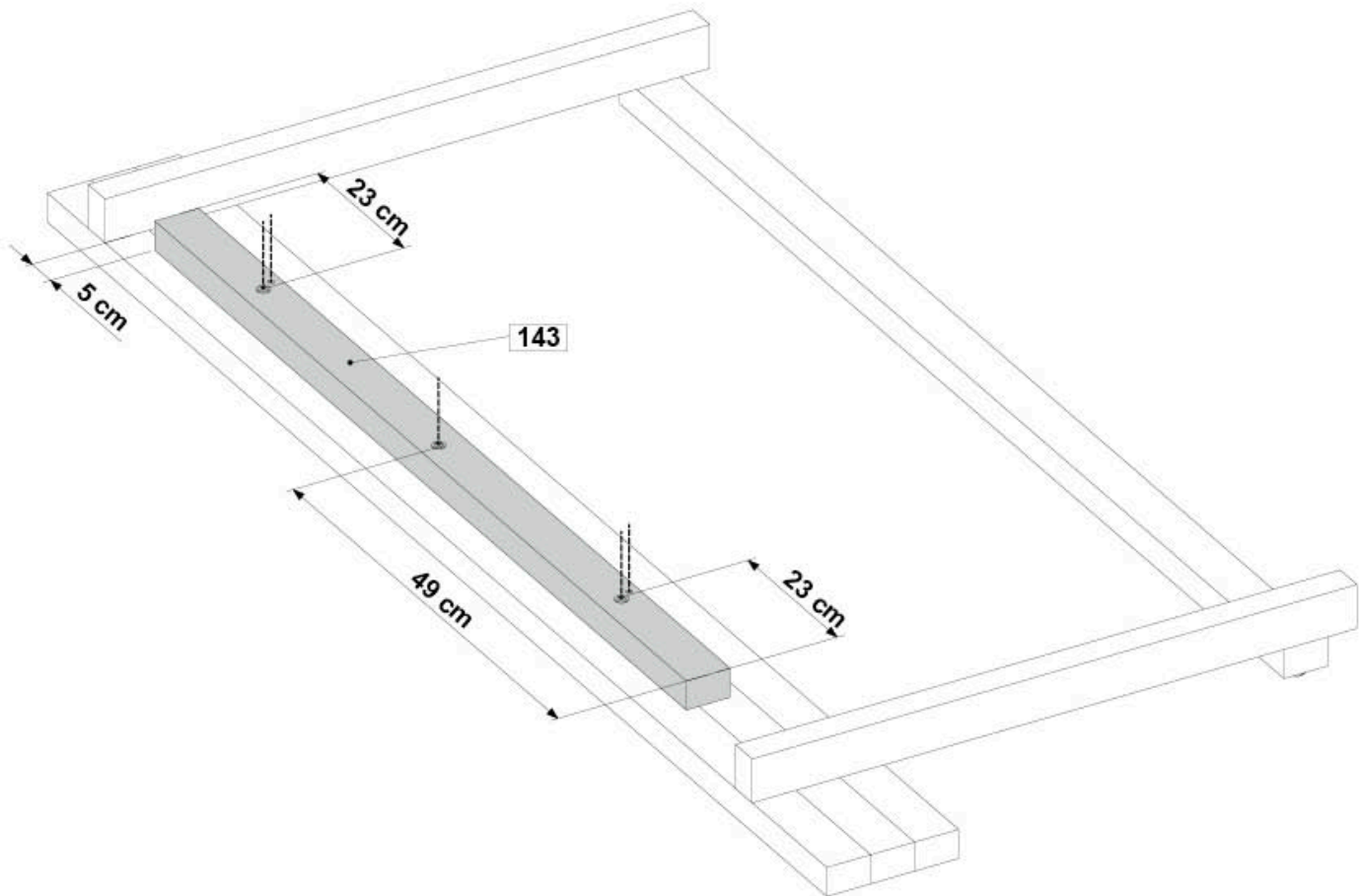
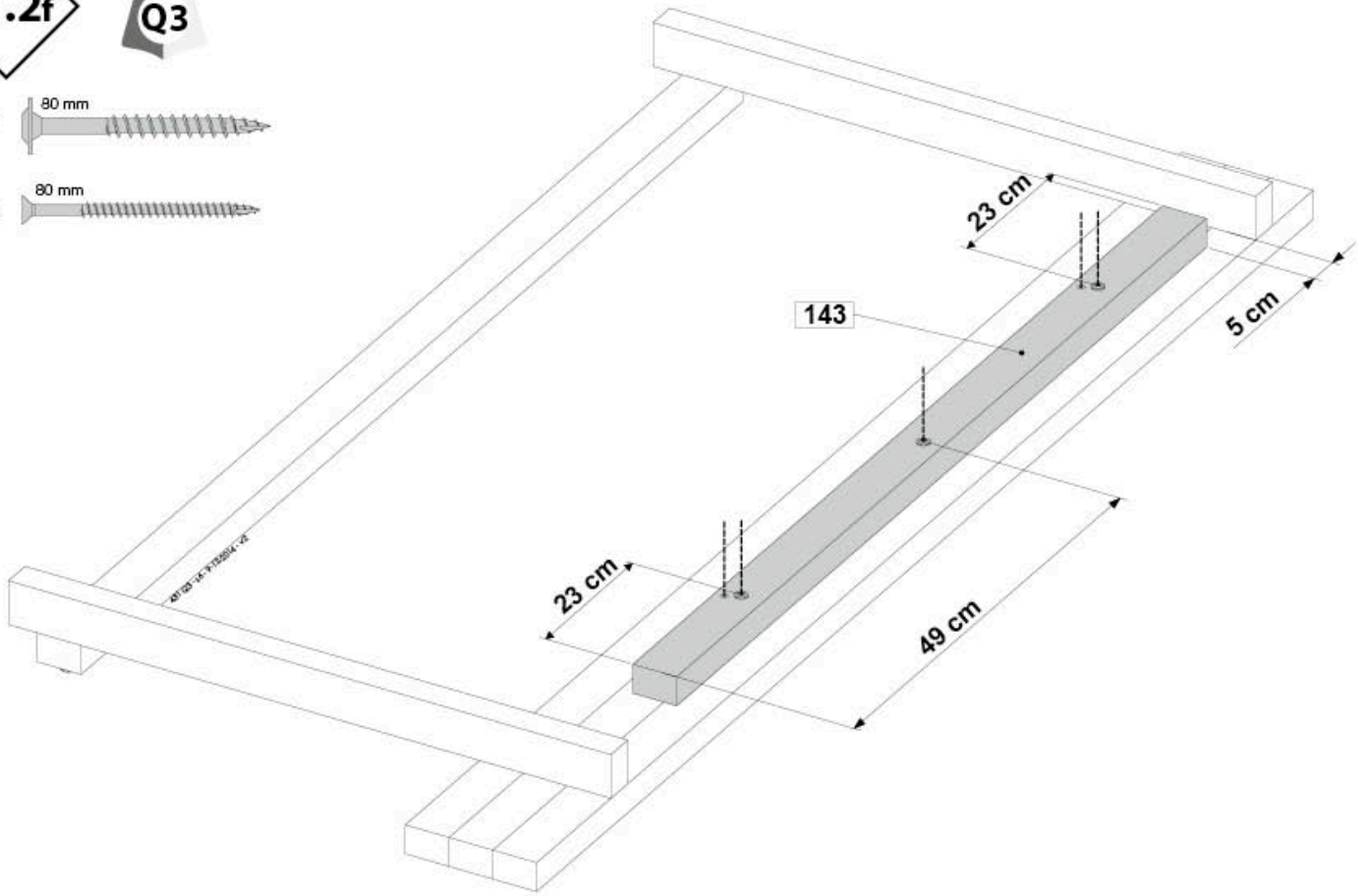


11.2f



6x 80 mm

4x 80 mm

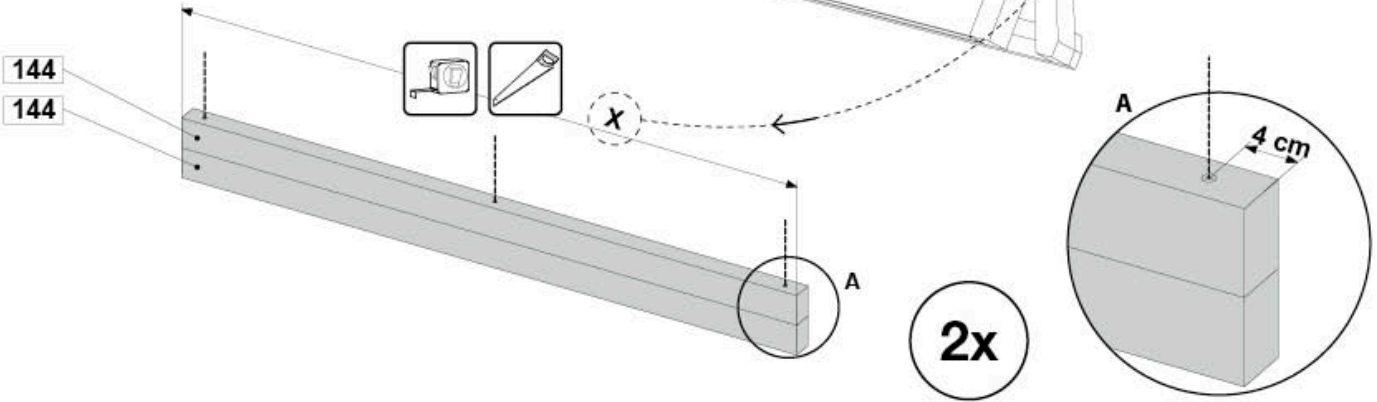




11.2g



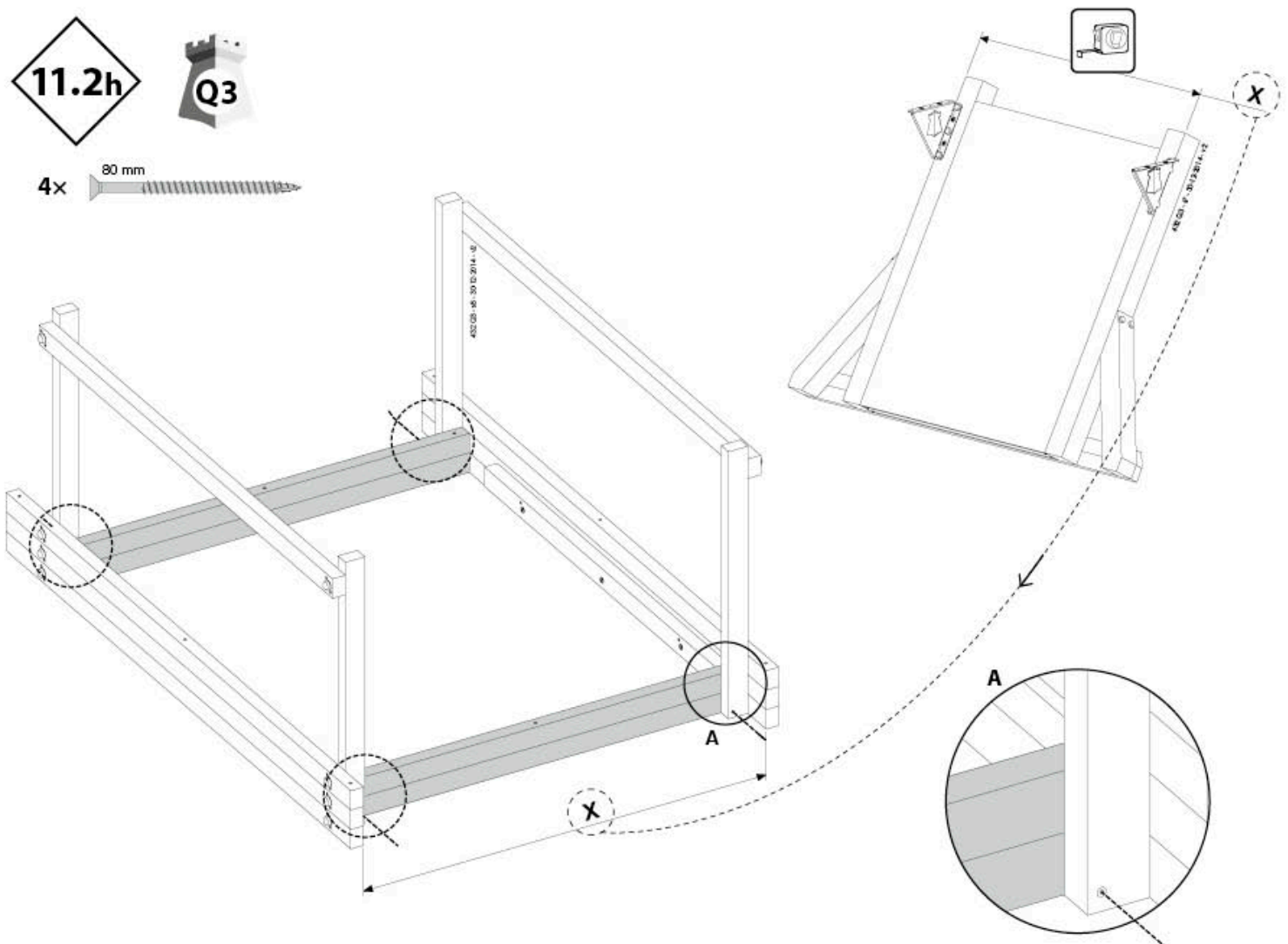
6x 100 mm



11.2h



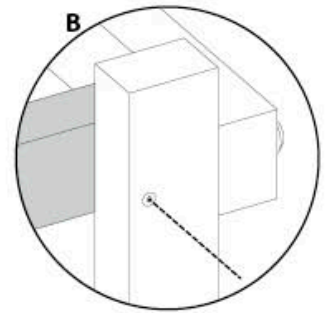
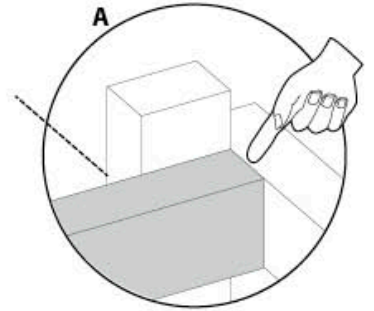
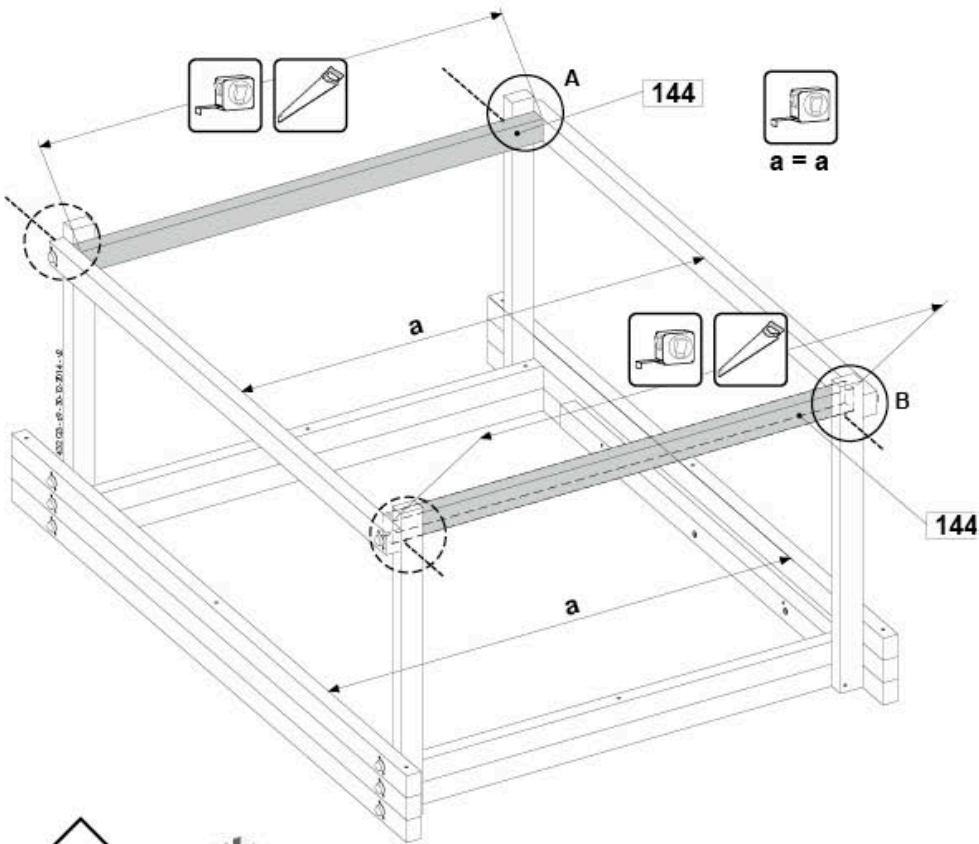
4x 80 mm



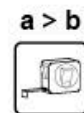
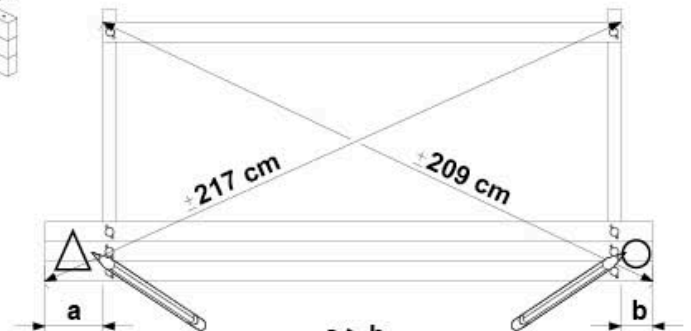
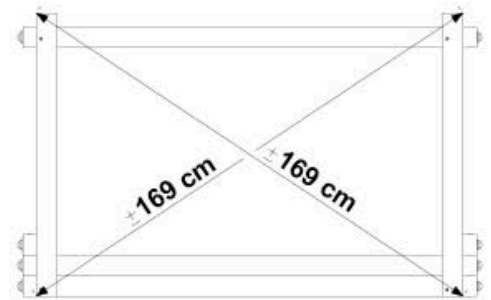
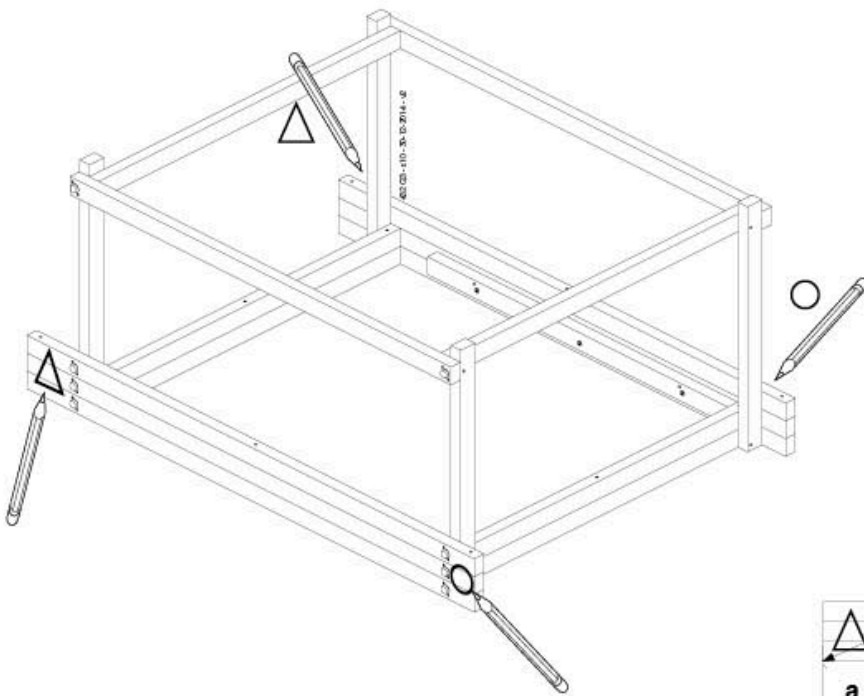
# 11.2i



4x 80 mm



# 11.2j

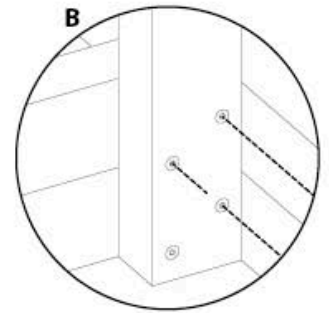
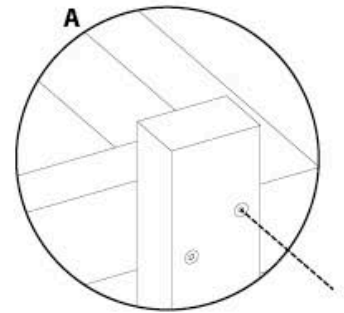
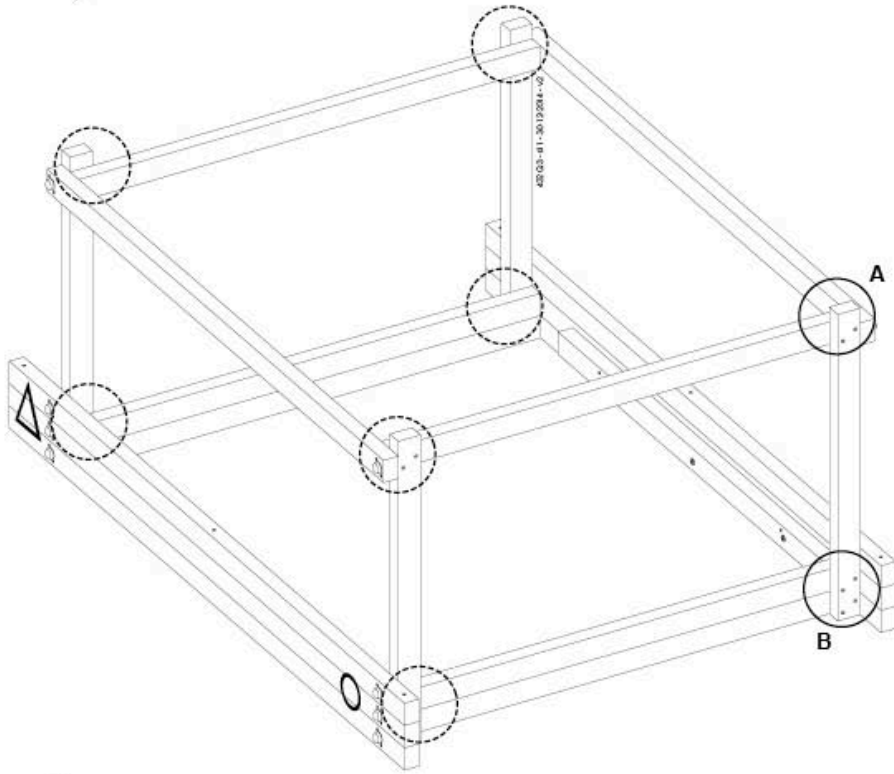


$a > b$

11.2k



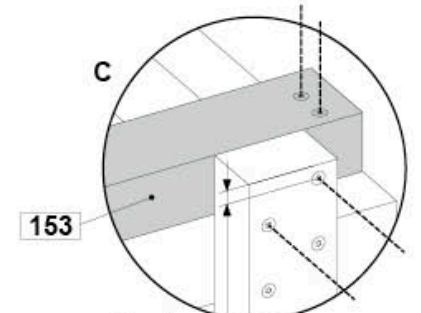
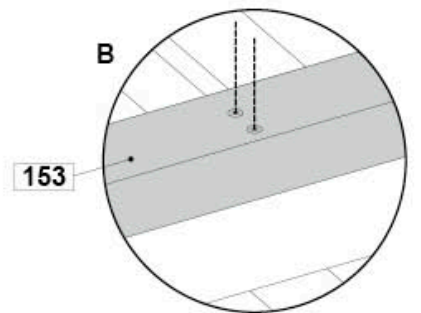
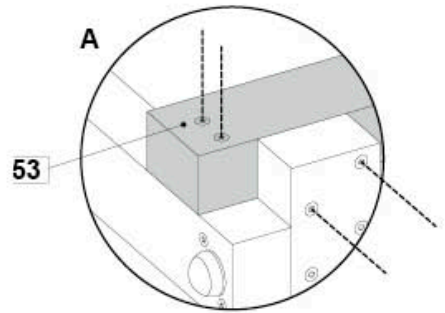
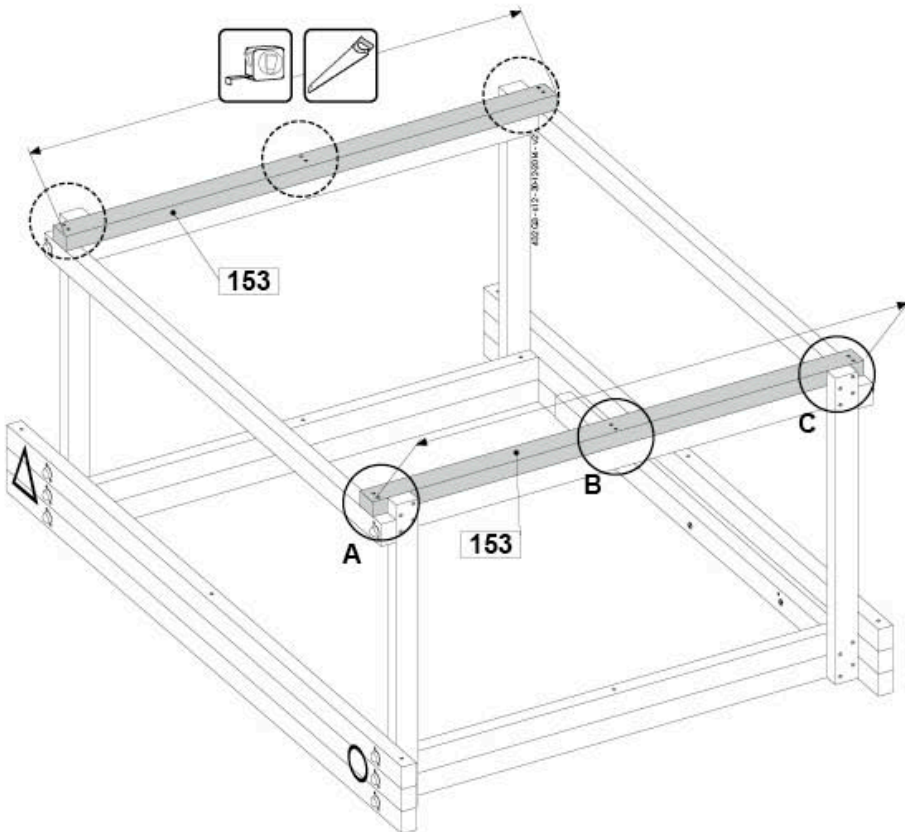
16x 80 mm



11.2L



20x 80 mm

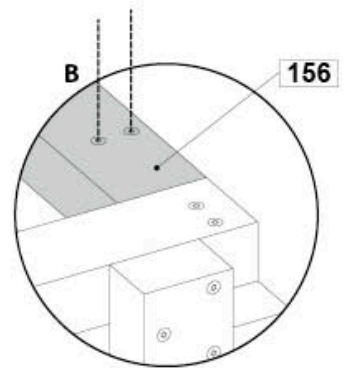
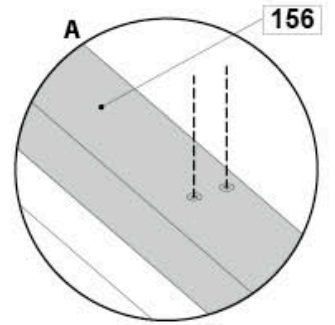
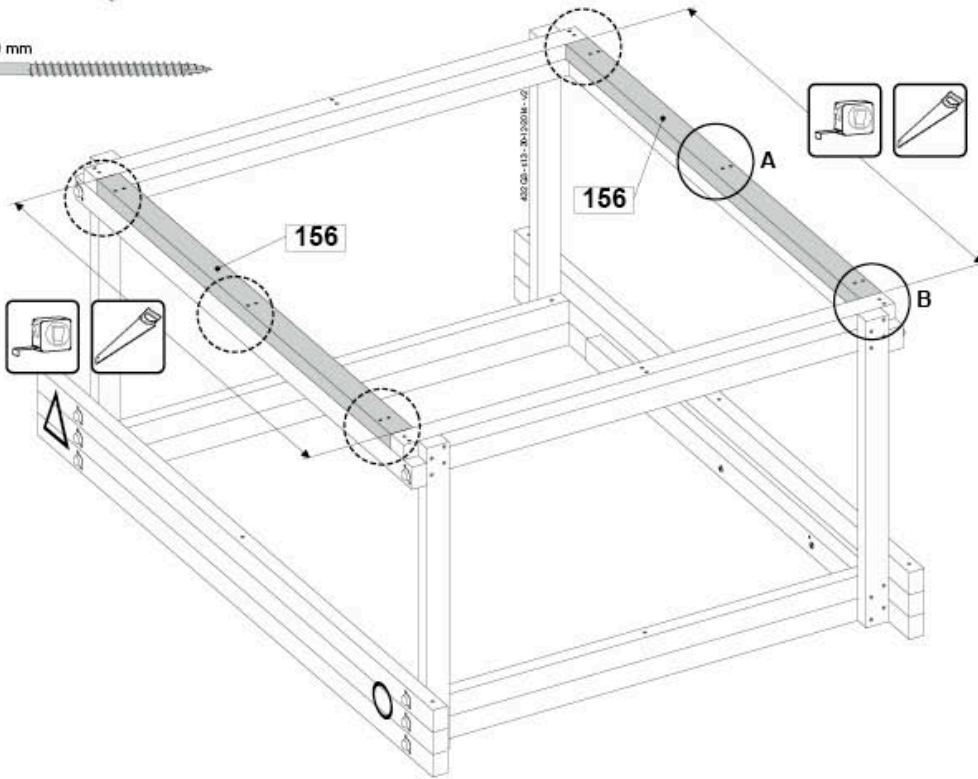


min. 1 cm

11.2m



12x 80 mm

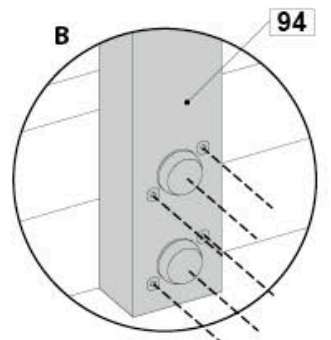
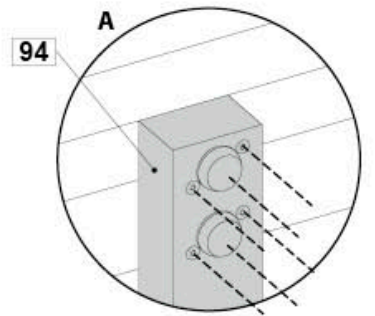
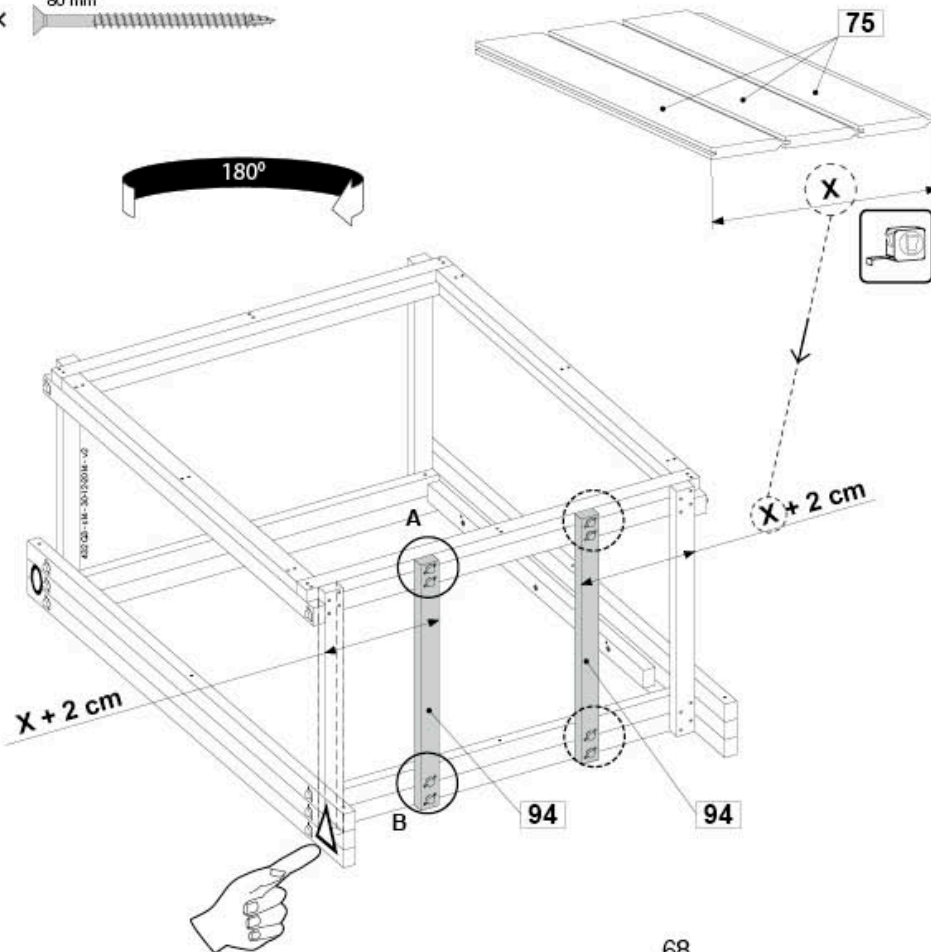


11.2n

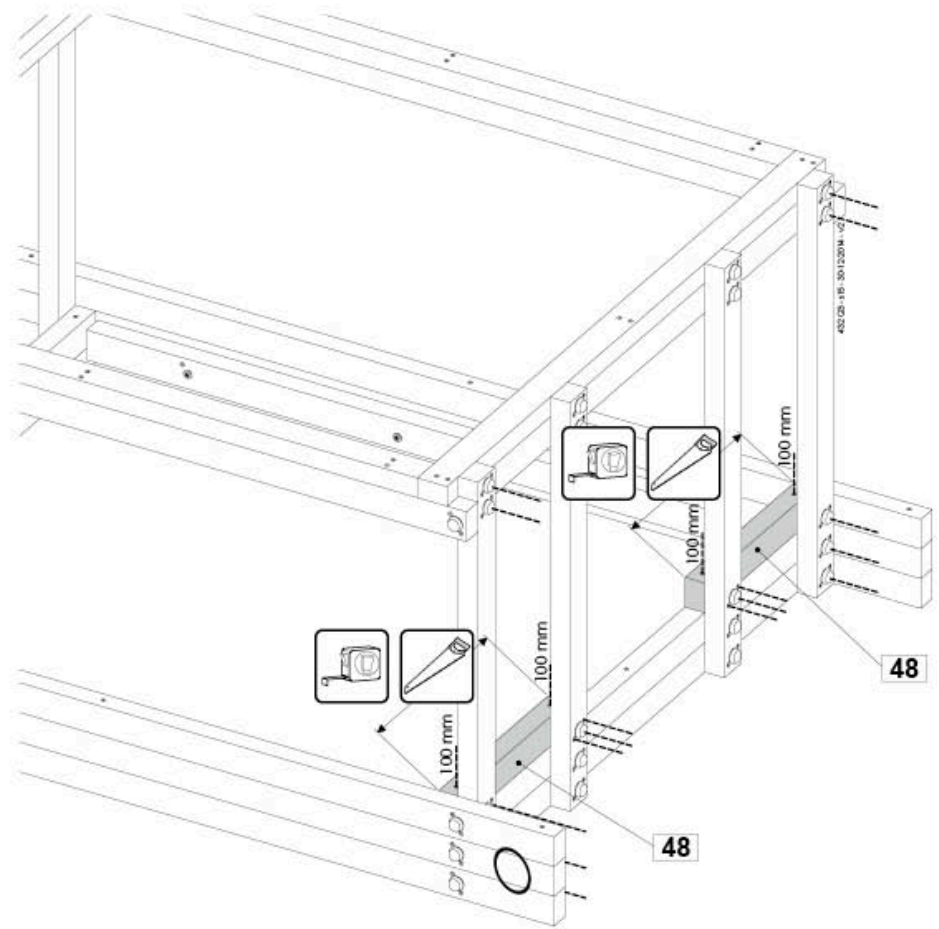
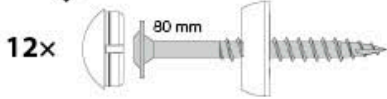


8x 80 mm

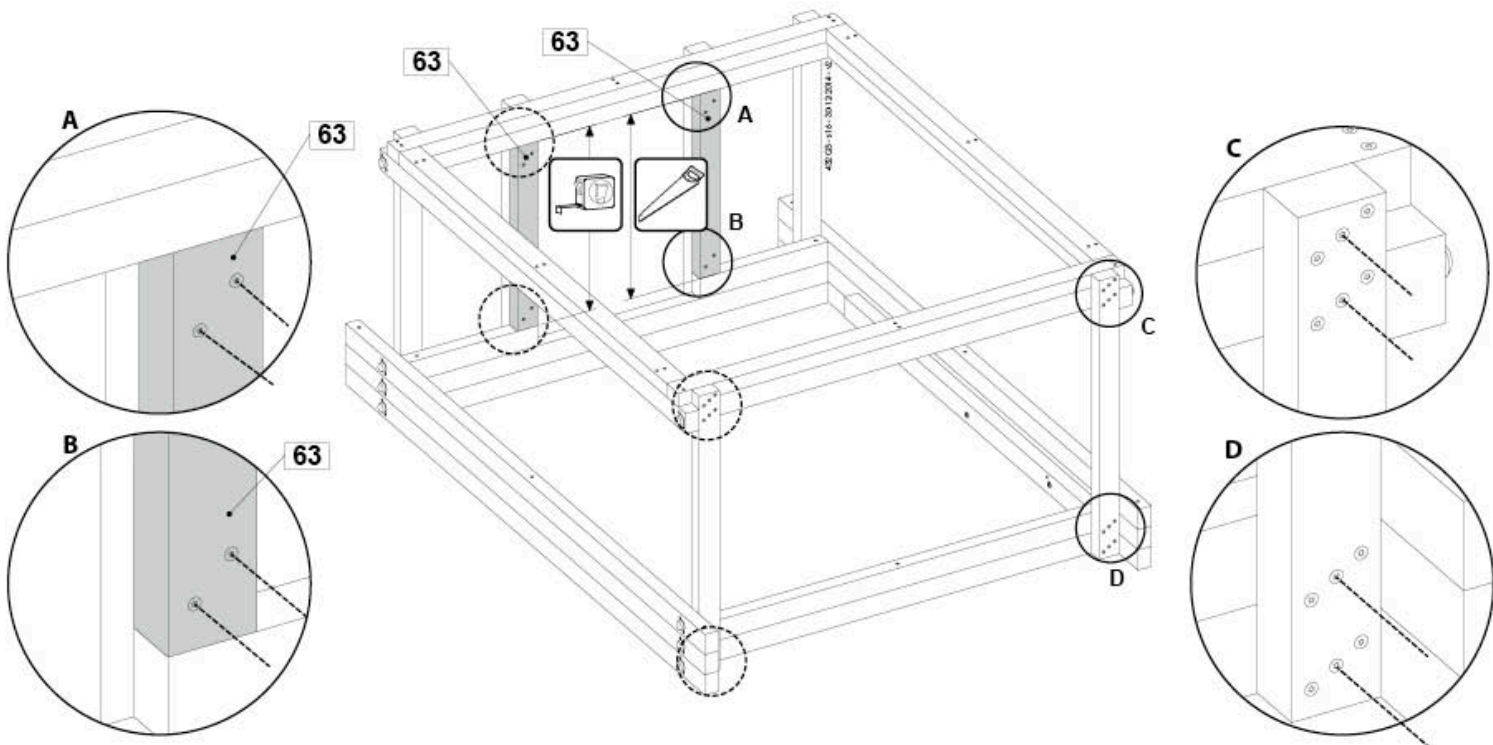
16x 80 mm



11.2o



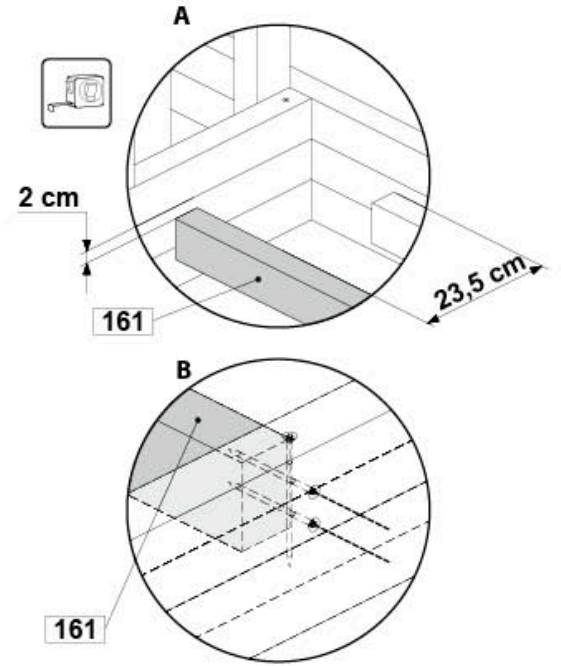
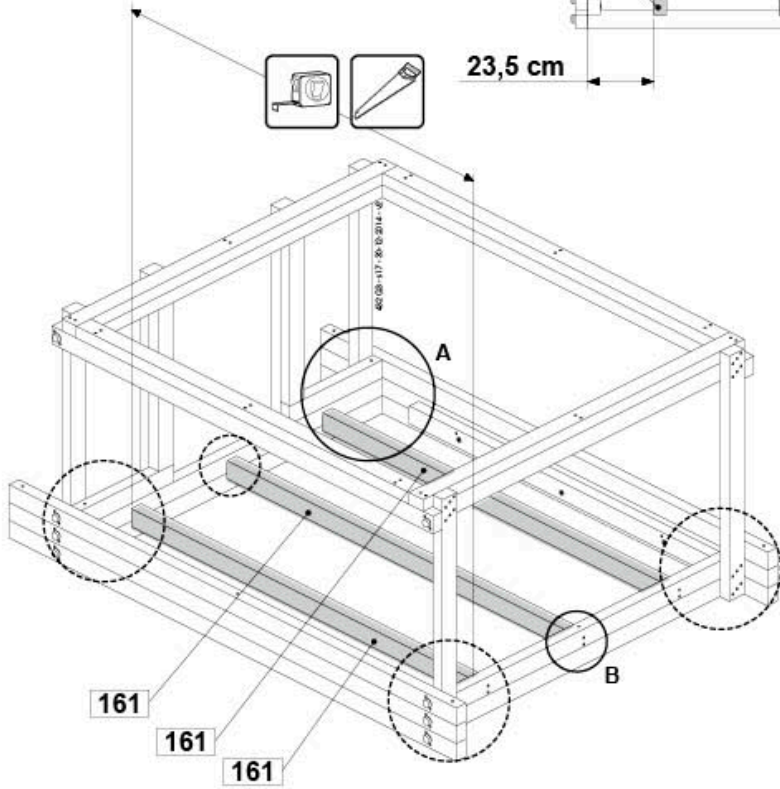
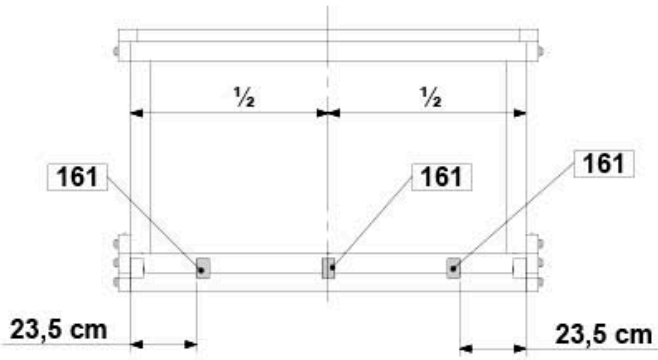
11.2p



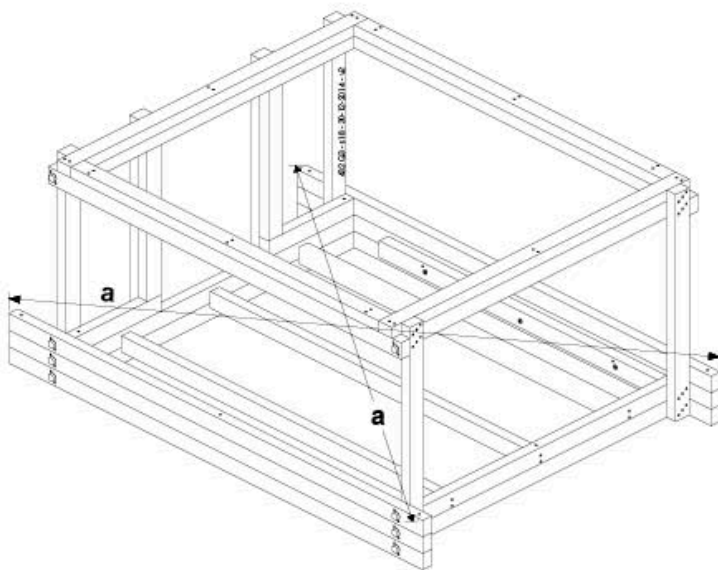
11.2q



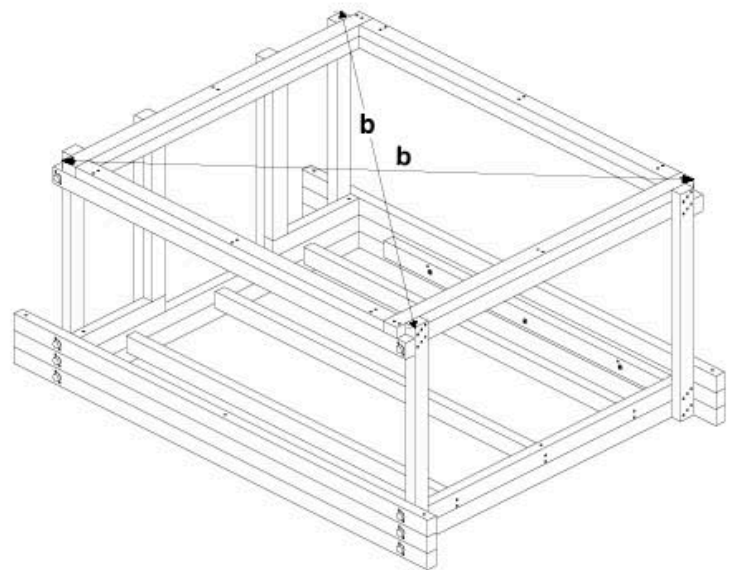
12x 80 mm



11.2r



a = a



b = b



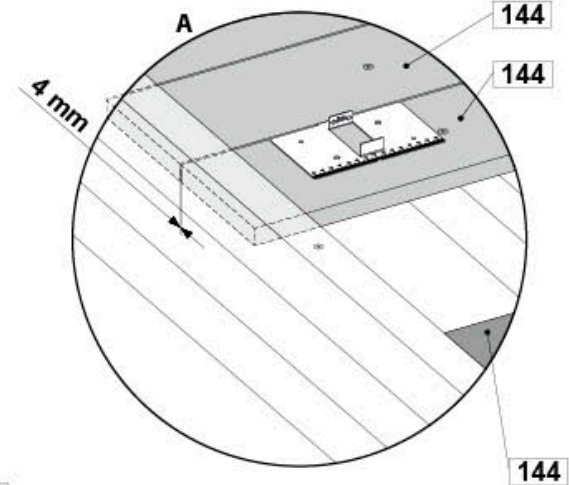
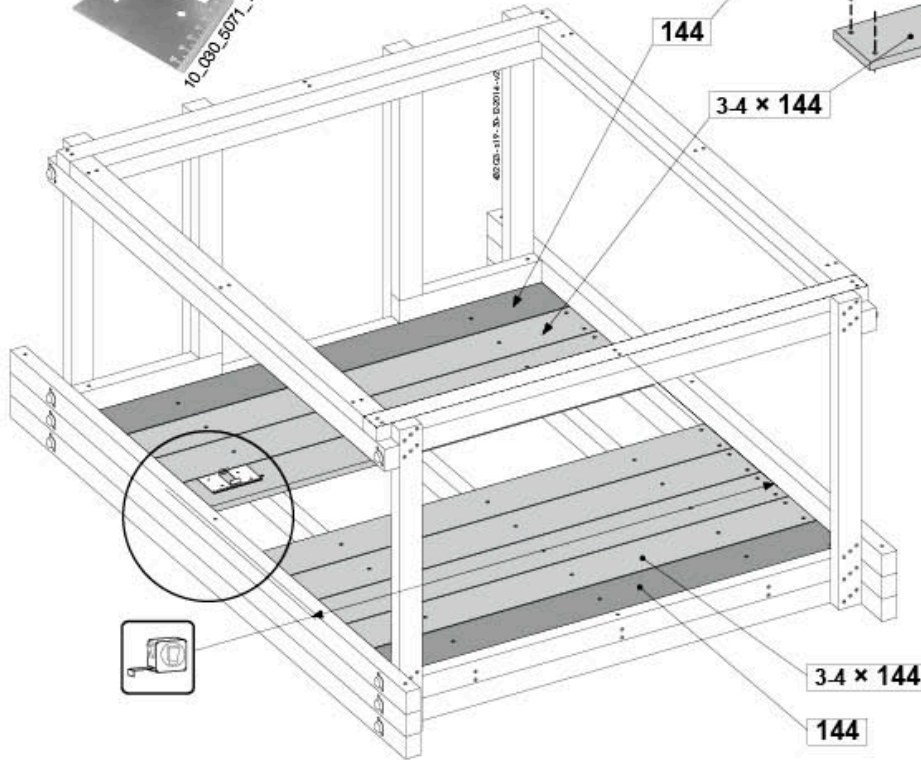
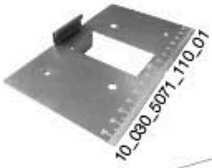
11.2s



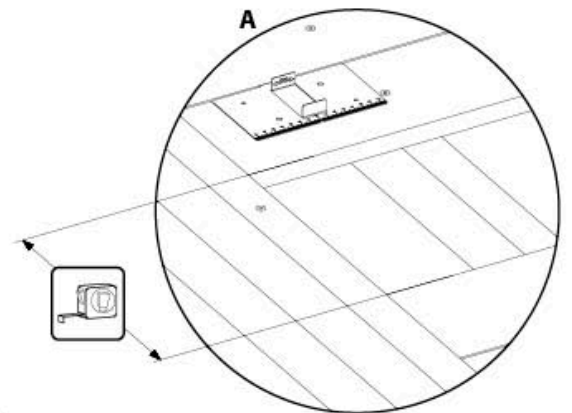
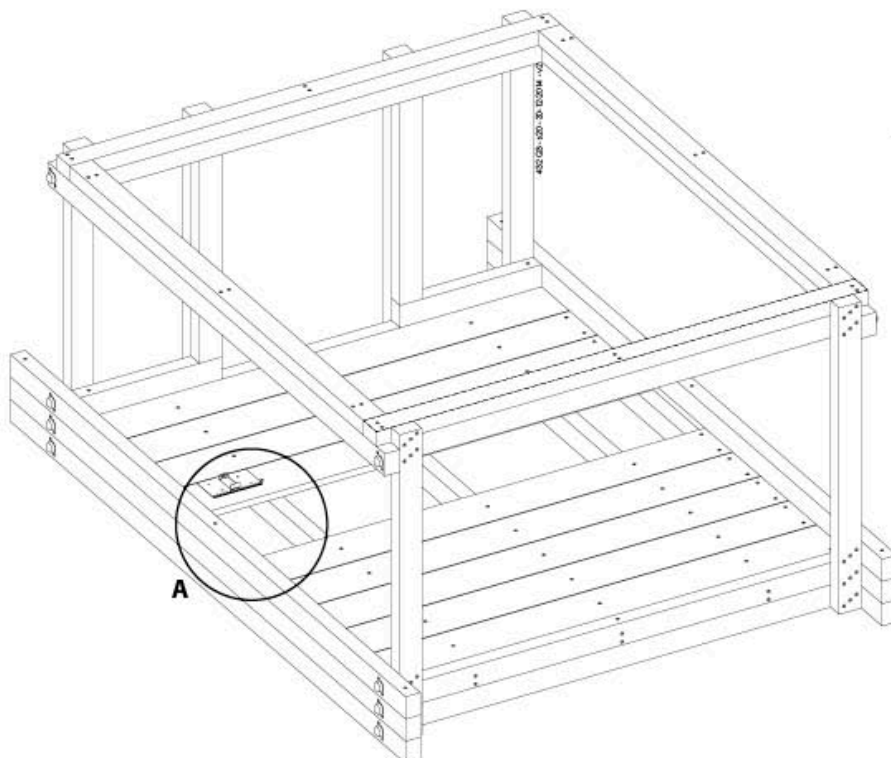
48 - 62x 45 mm



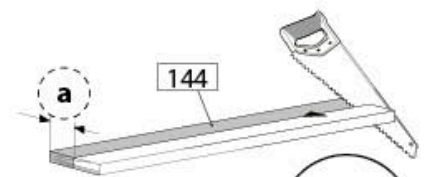
2x



11.2t



- 1,2 cm  
 $\frac{\quad}{2} = \text{a}$

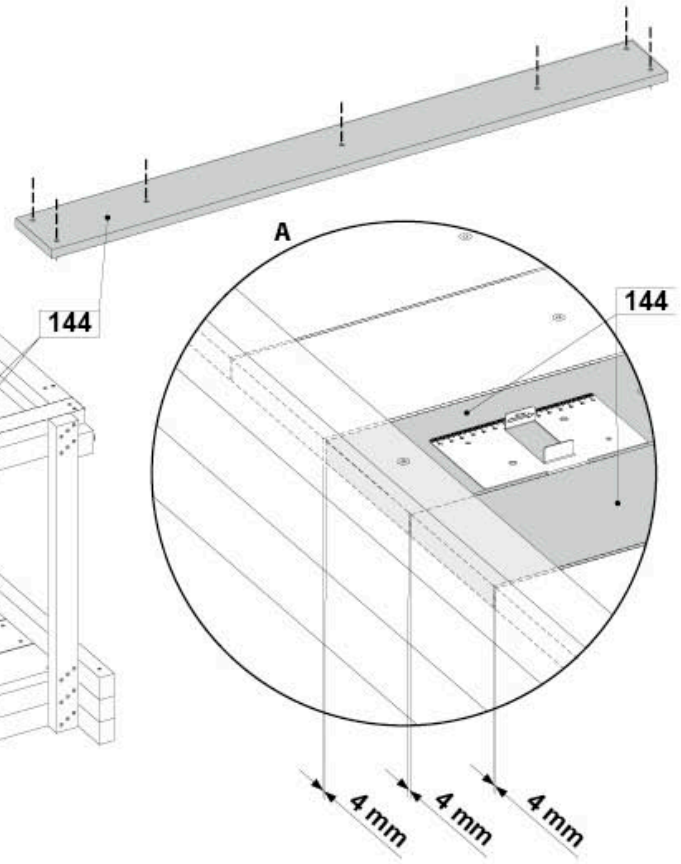
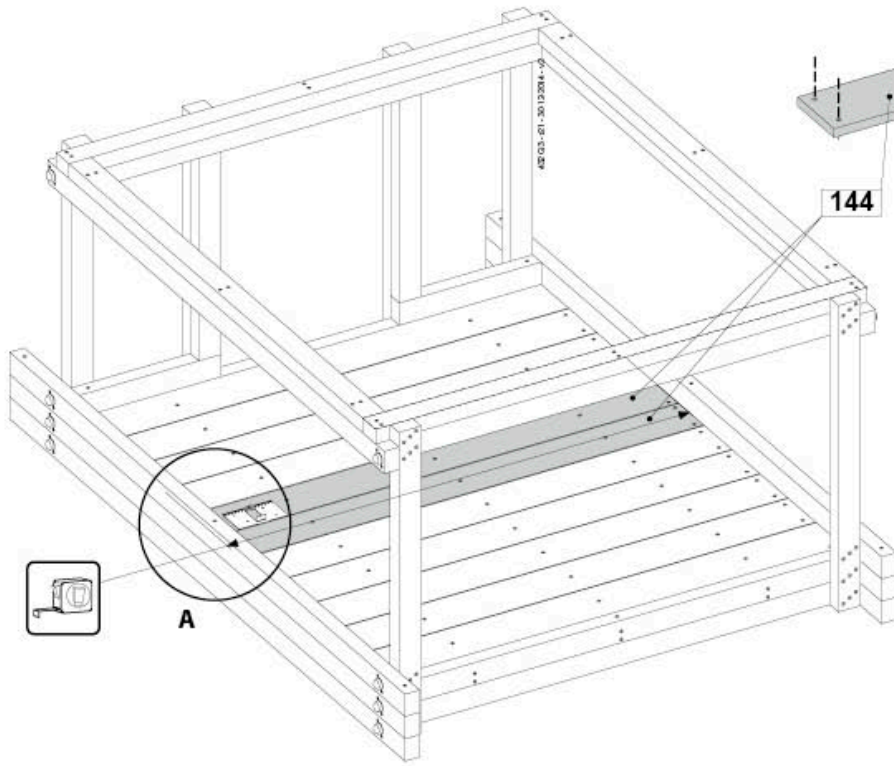


2x

11.2u



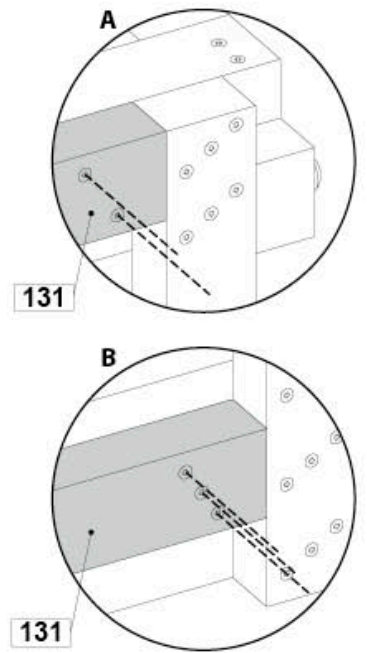
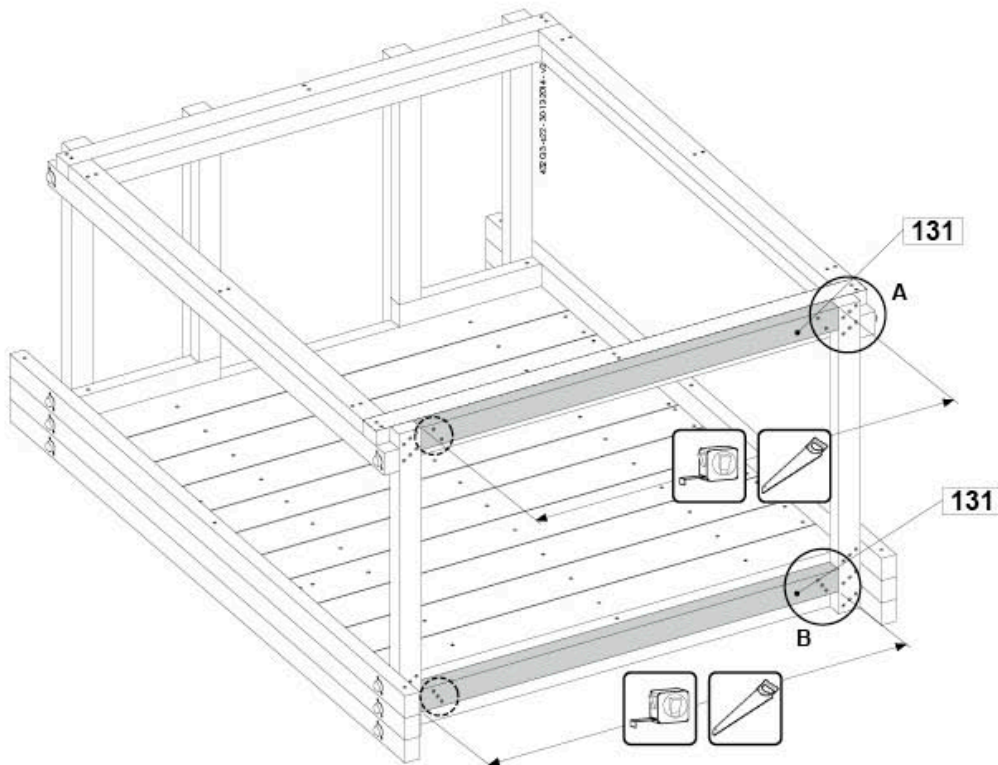
14x 45 mm



11.2v

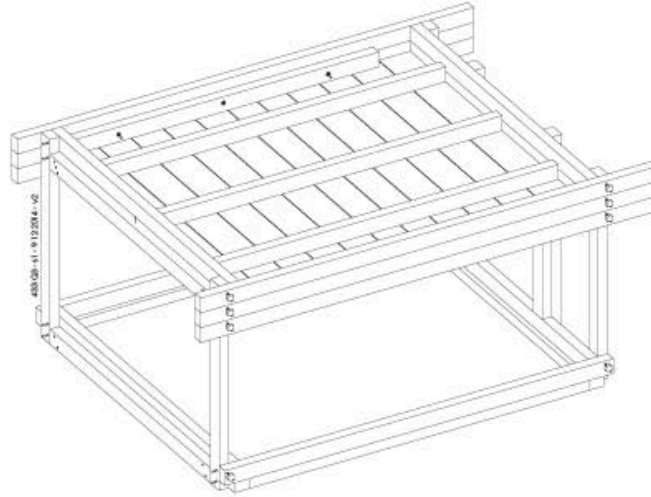
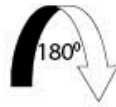


10x 80 mm

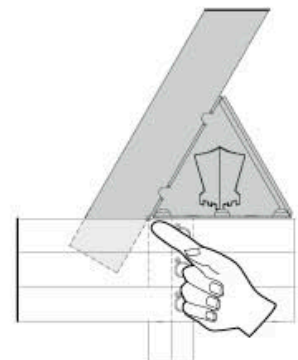
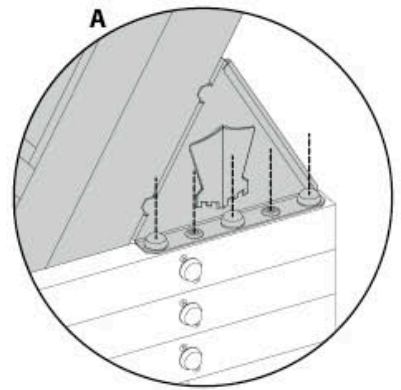
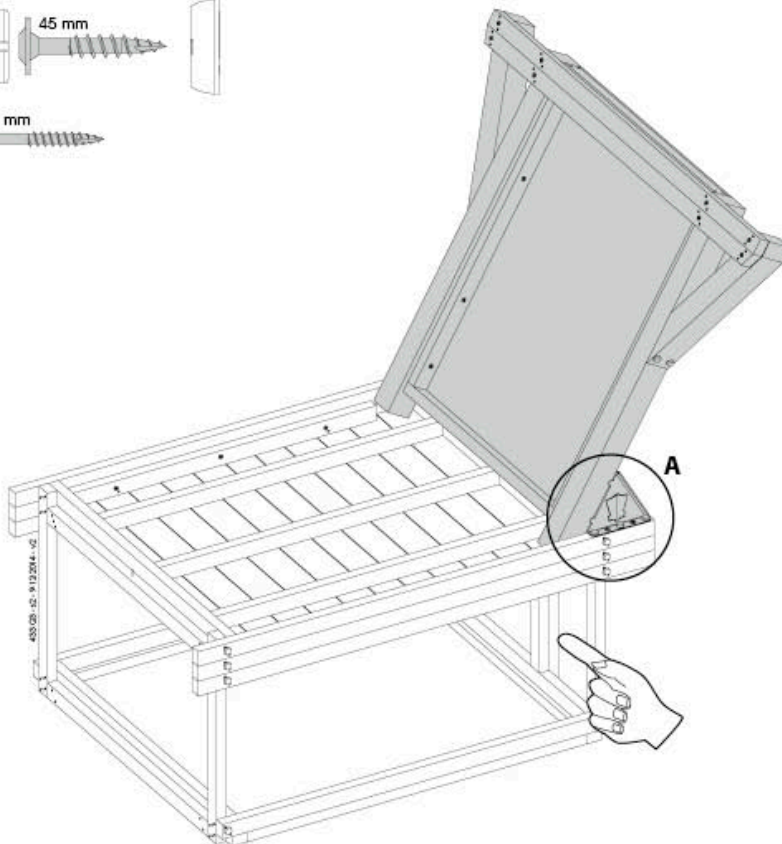
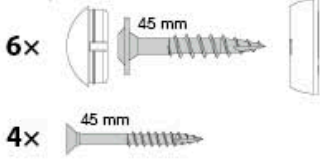




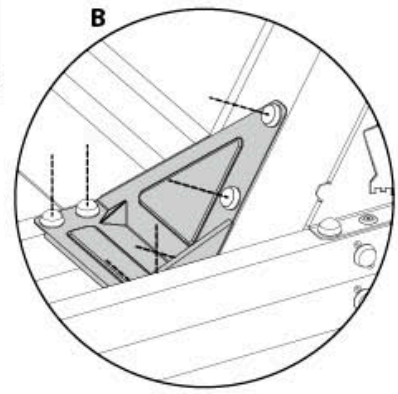
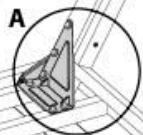
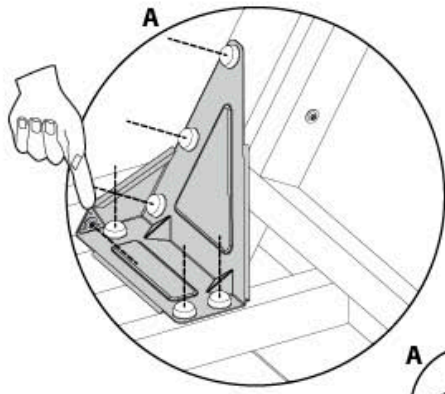
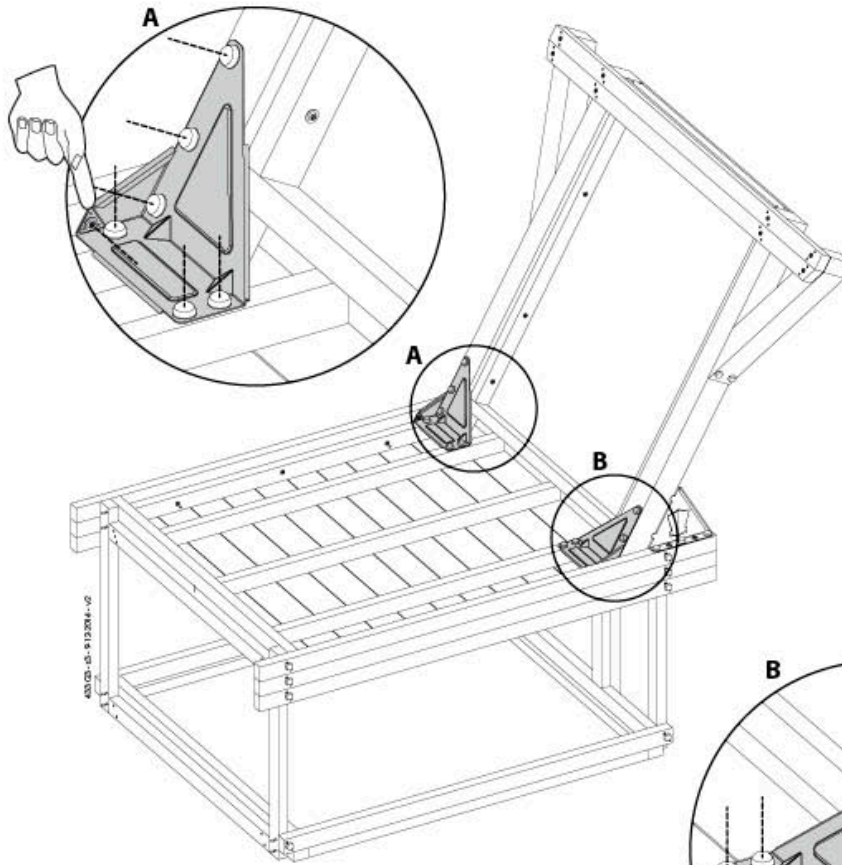
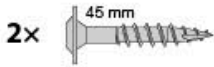
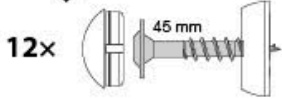
11.3a



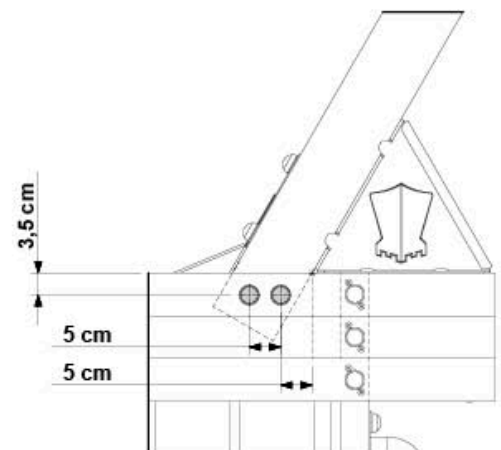
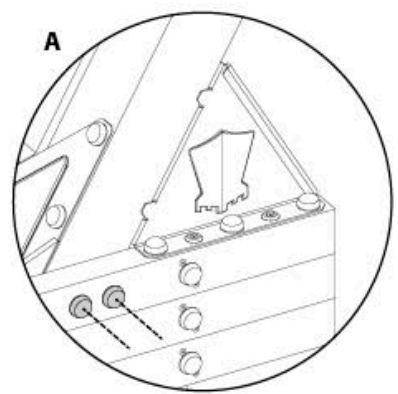
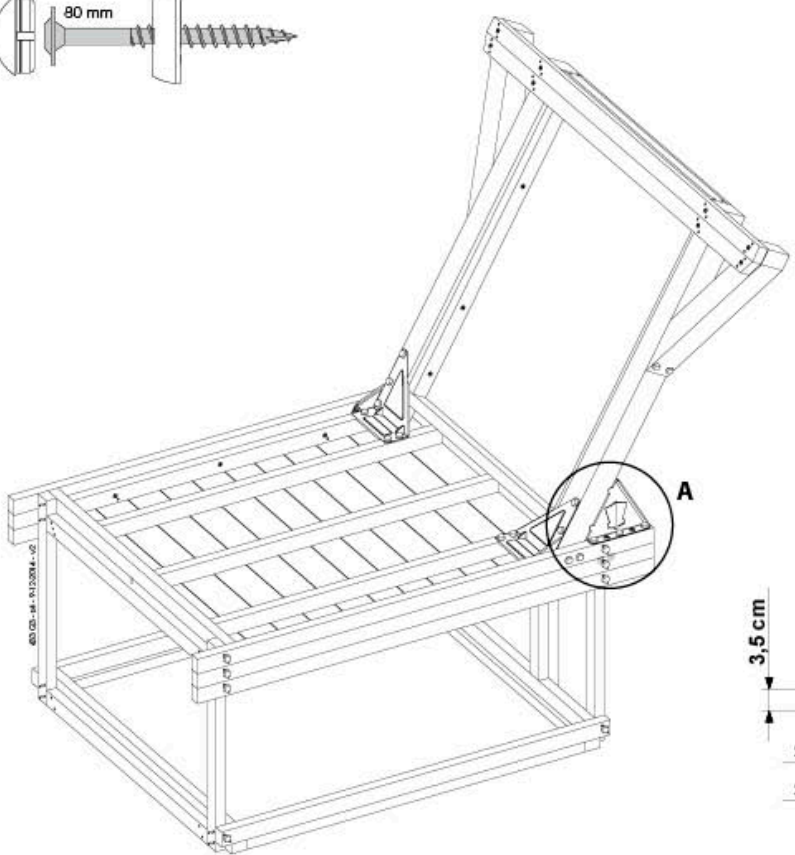
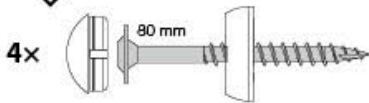
11.3b



11.3c



11.3d

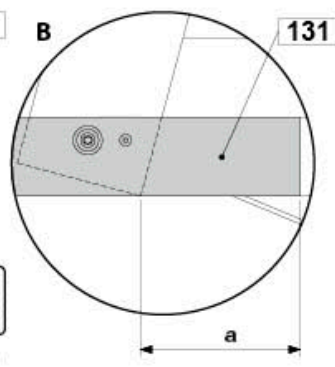
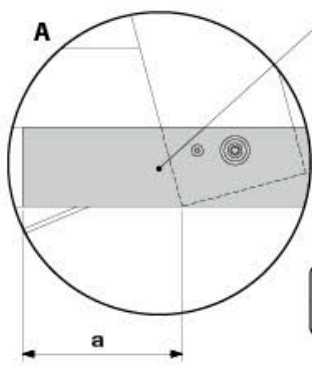
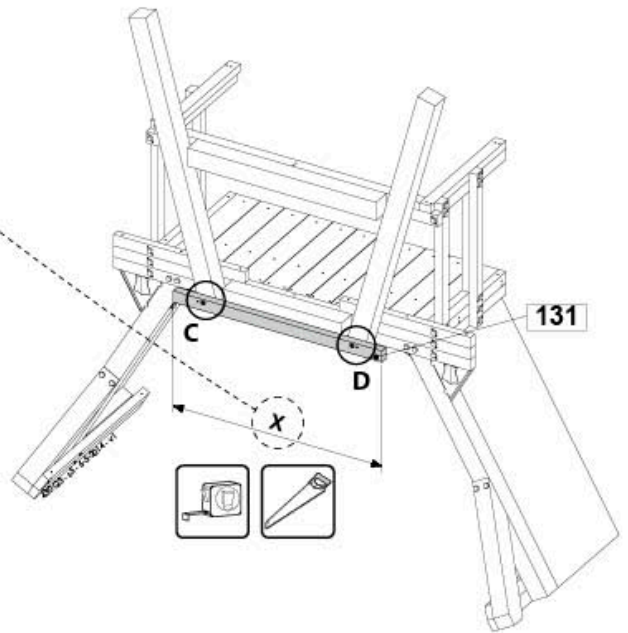
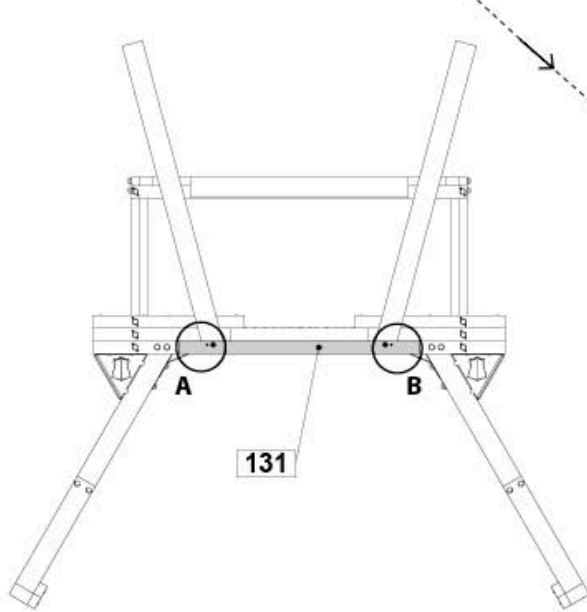
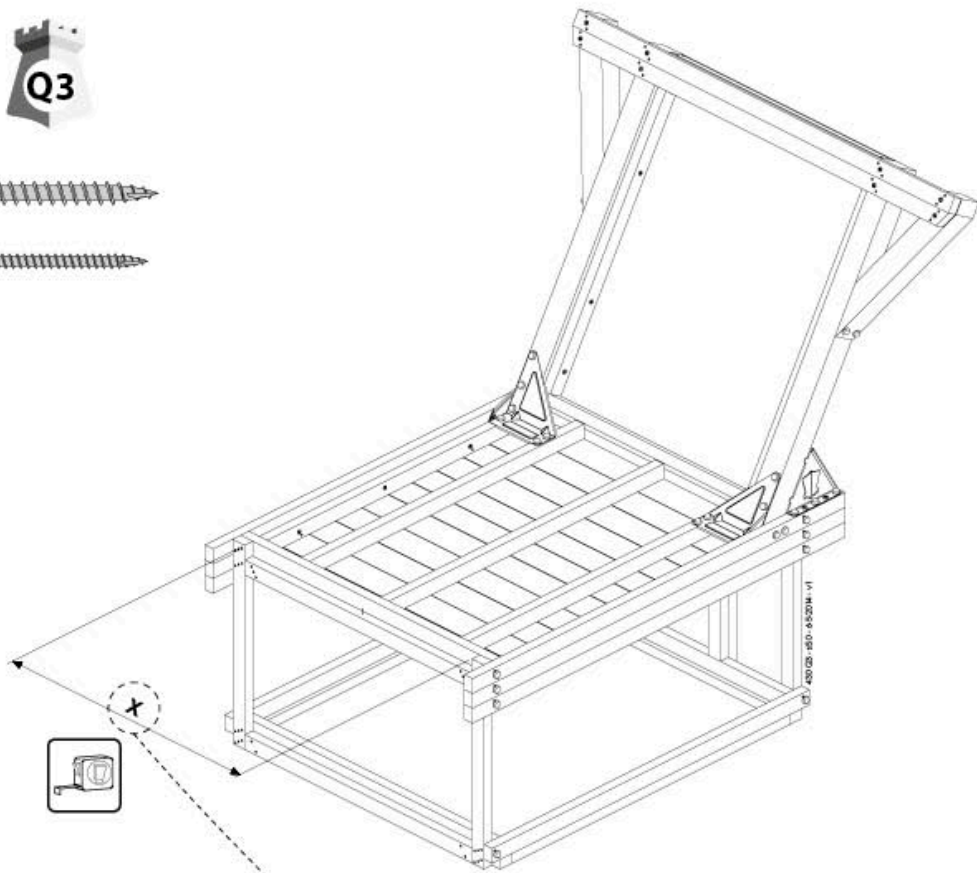


# 11.3e

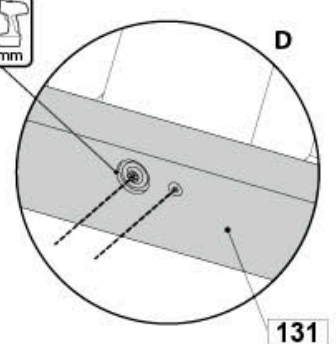
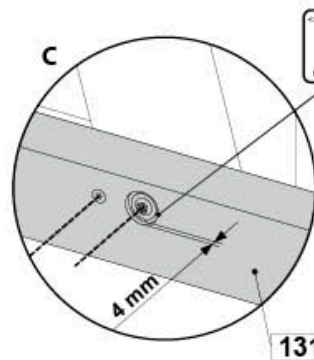


2x 80 mm

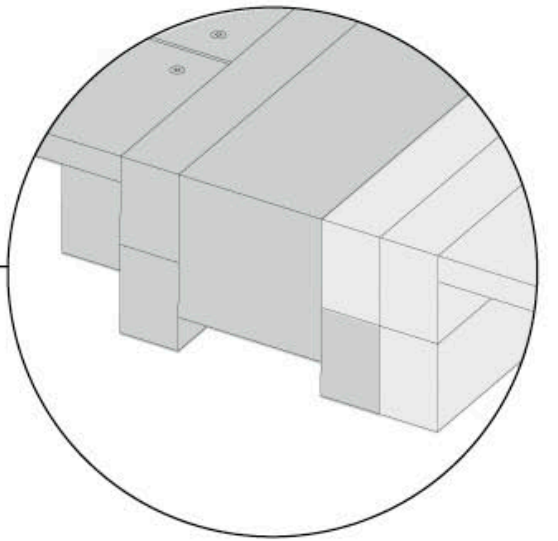
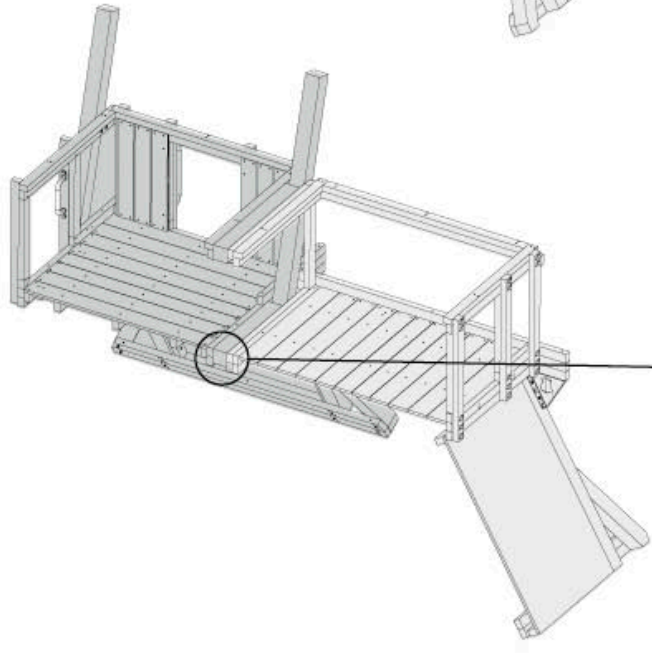
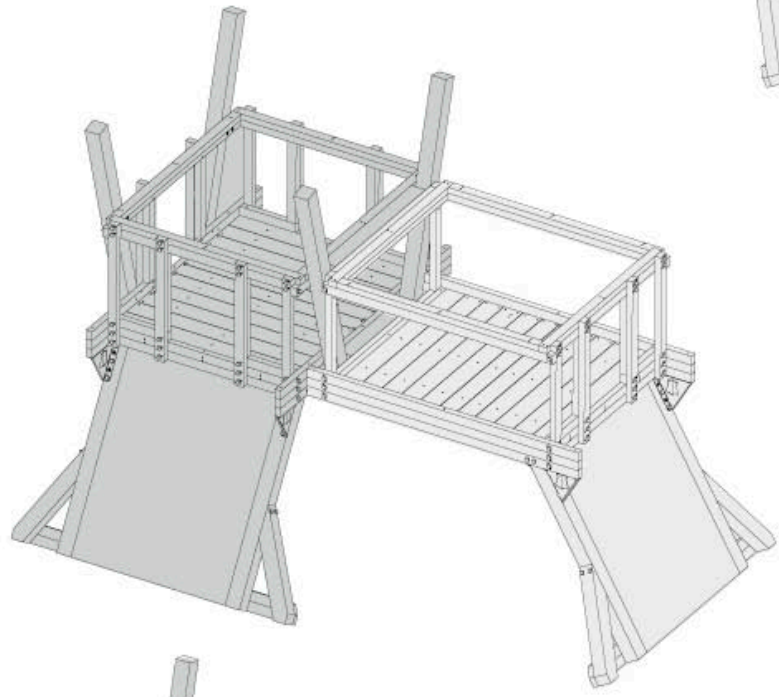
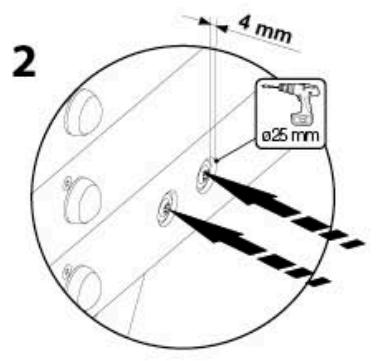
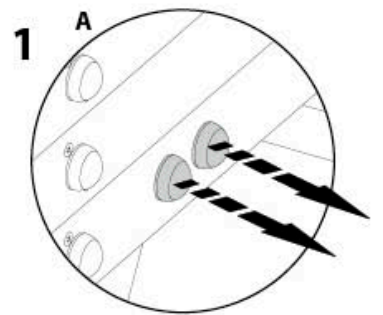
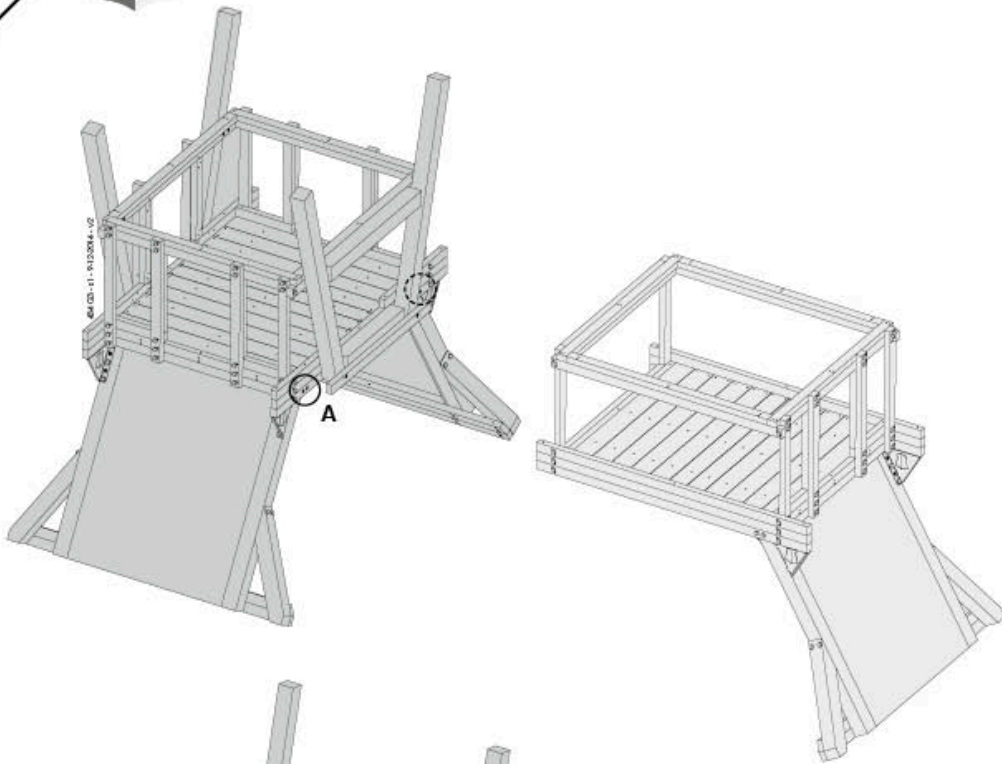
2x 80 mm



a = a



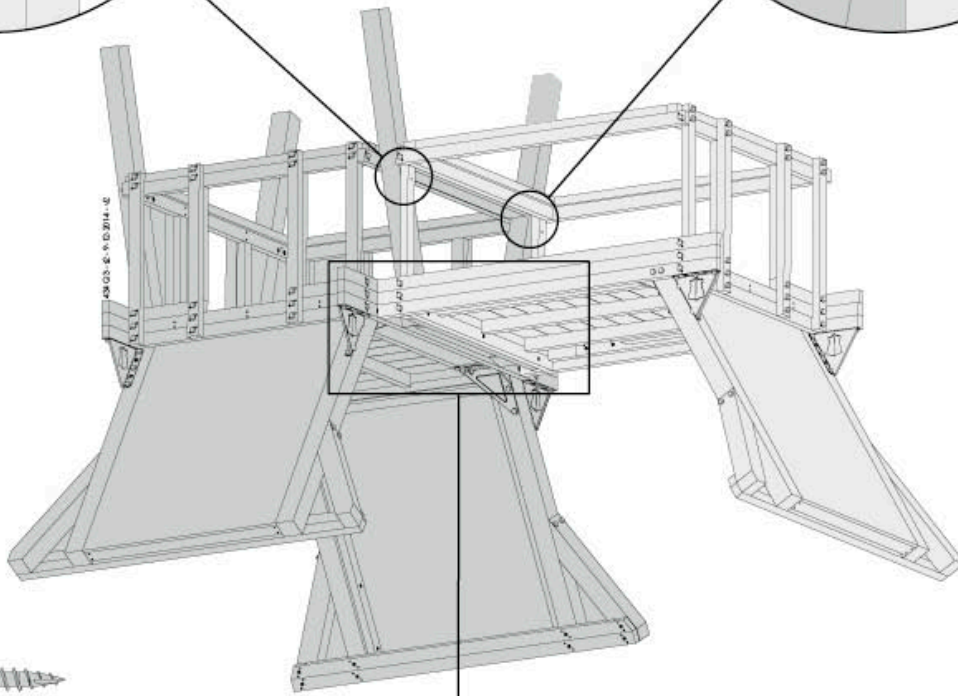
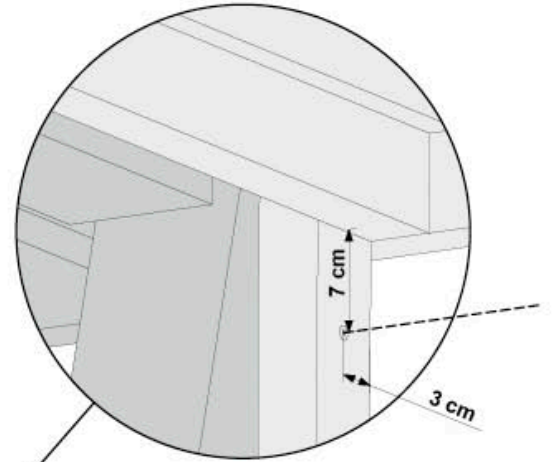
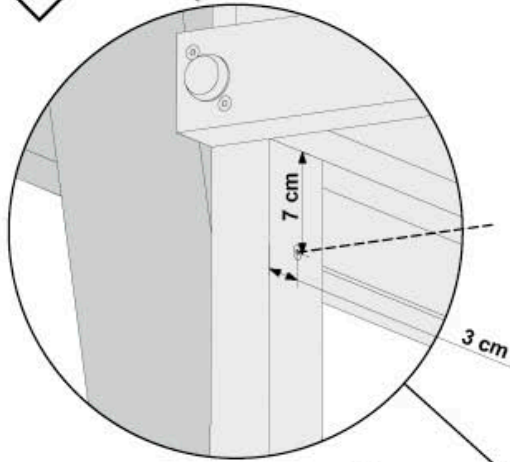
11.4a



11.4b

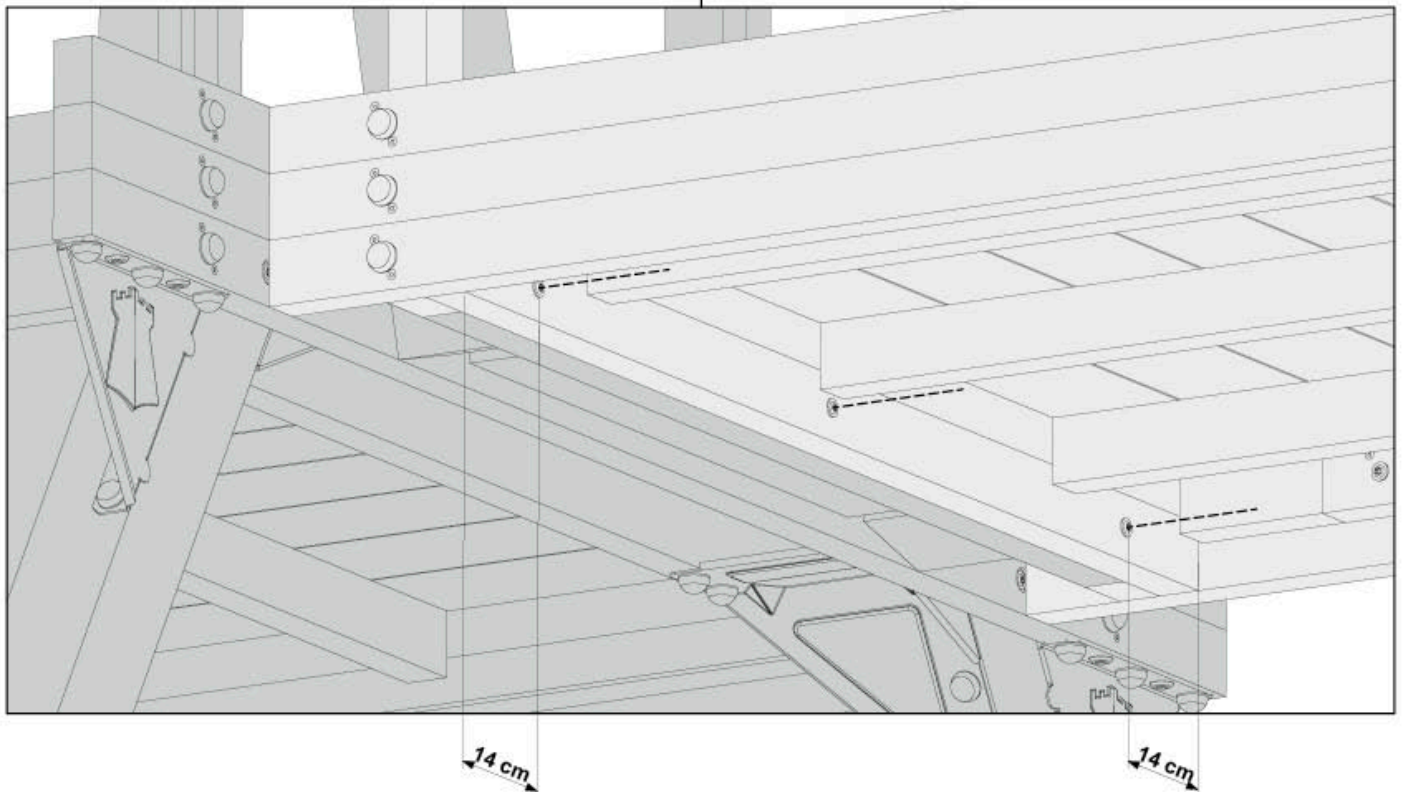


2x



11.4c

3x



11.4d



2x



180 mm



30 mm



30 mm



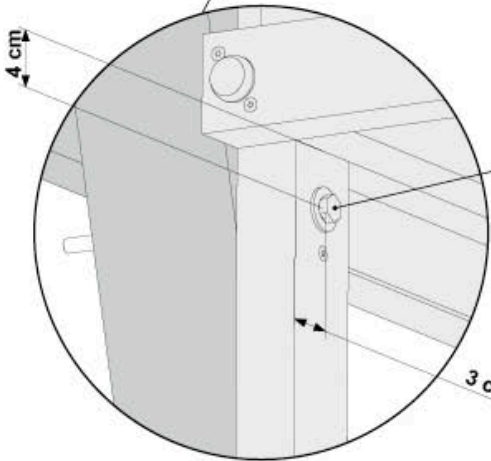
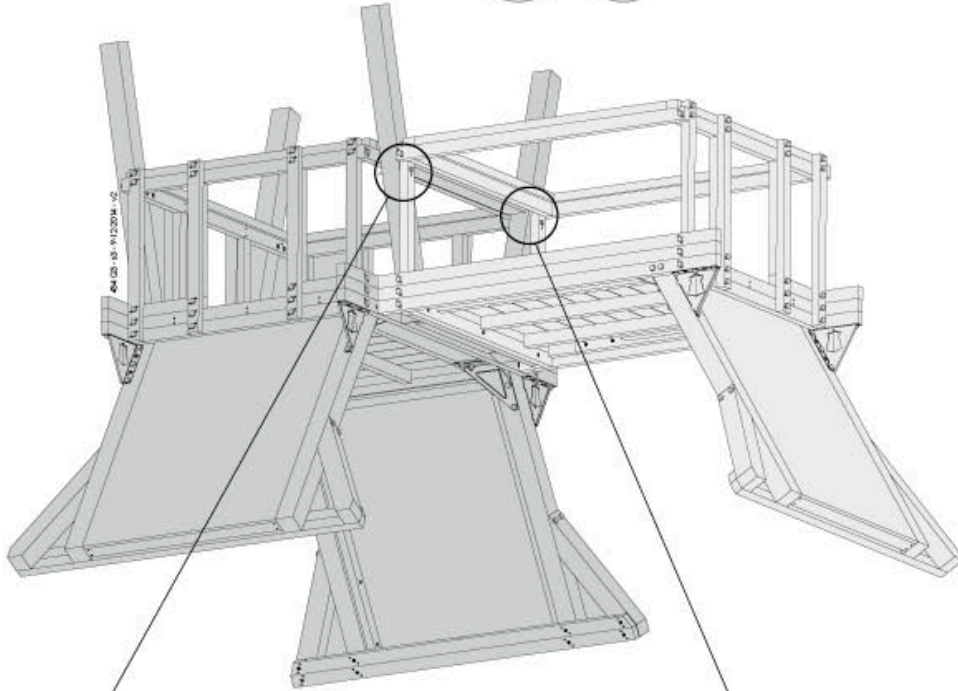
M10



M10



1 mm

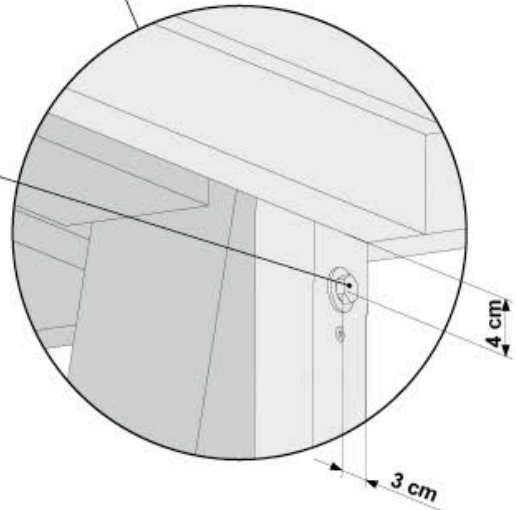


4 cm

3 cm



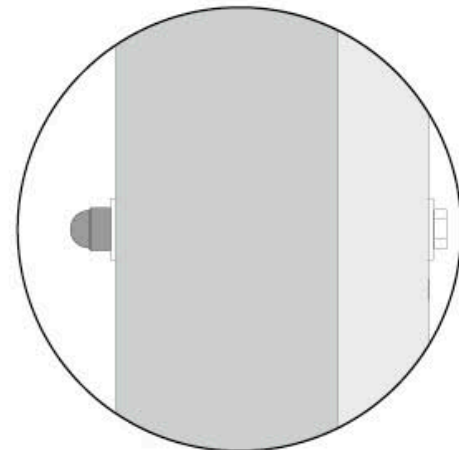
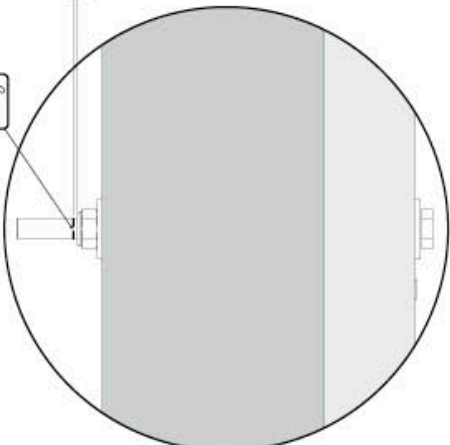
1 mm



4 cm

3 cm

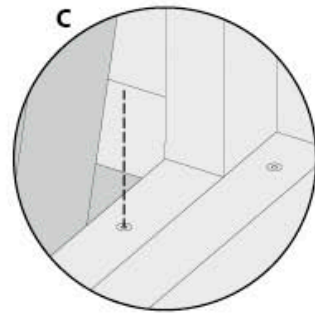
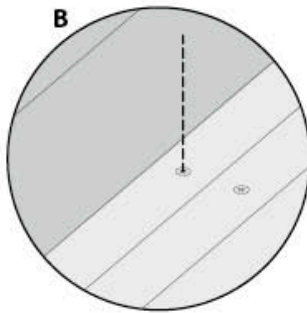
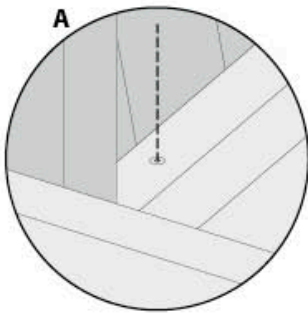
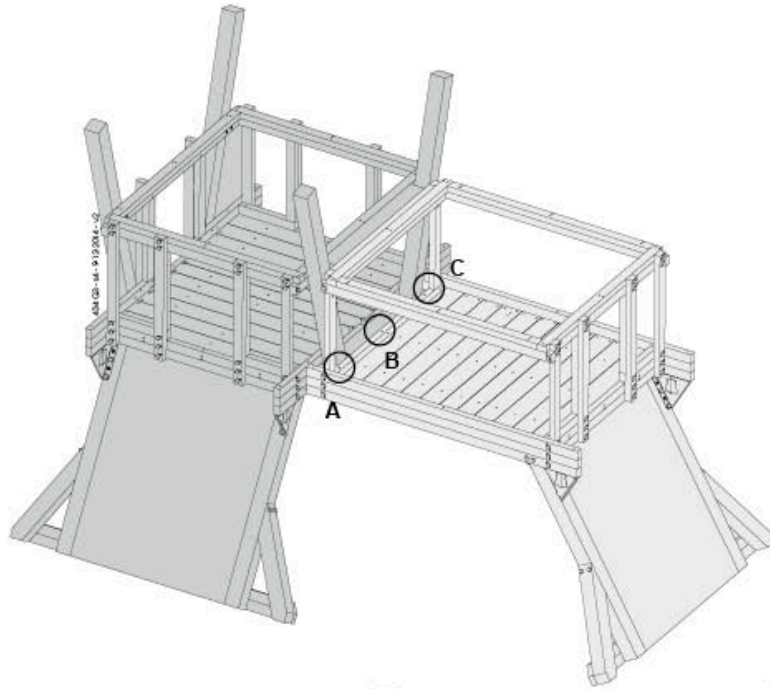
min. 0 mm  
max. 4 mm



11.4e



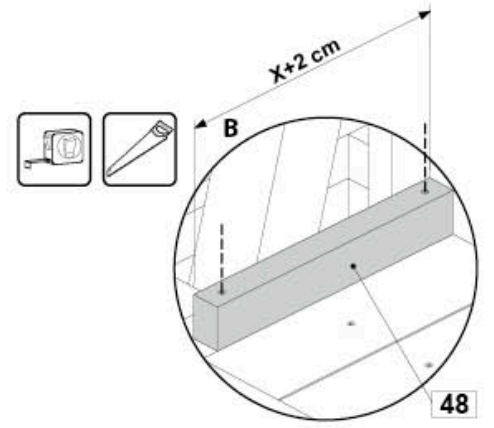
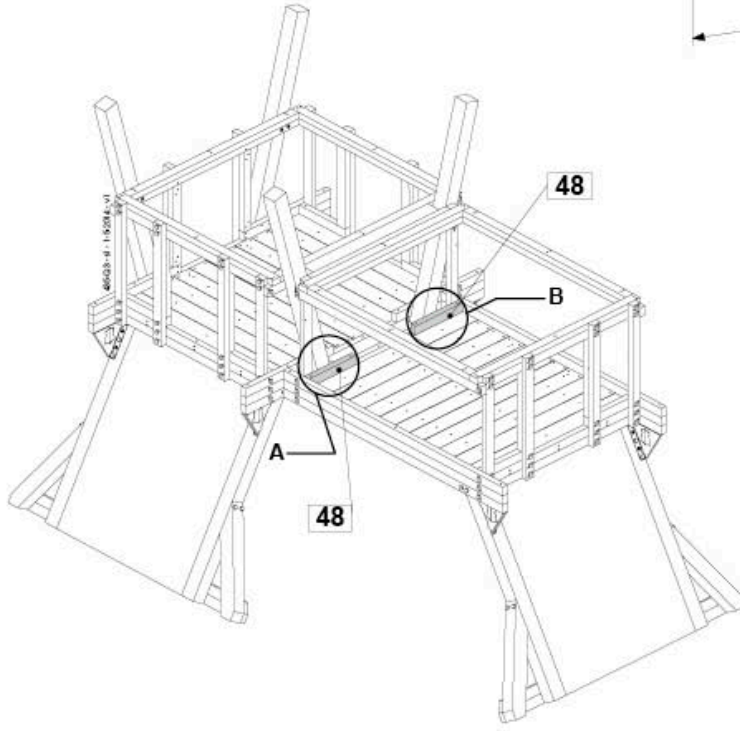
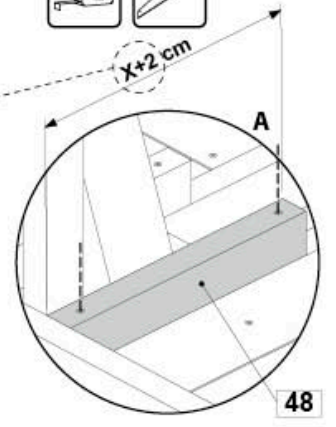
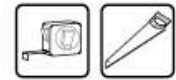
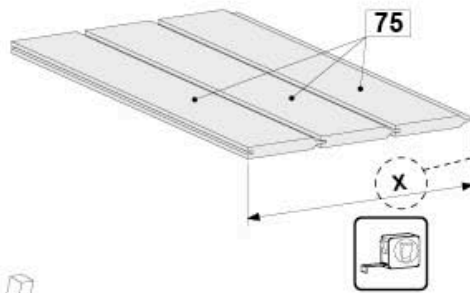
3x 100 mm

A 100 mm long screw with a Phillips head.

11.4f



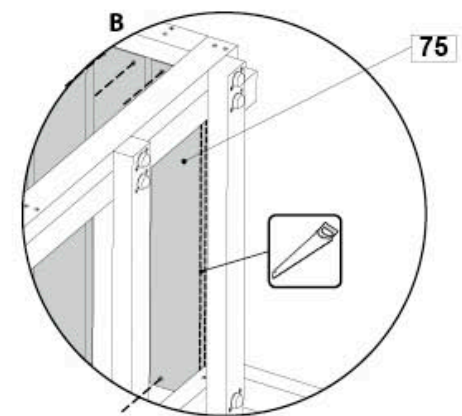
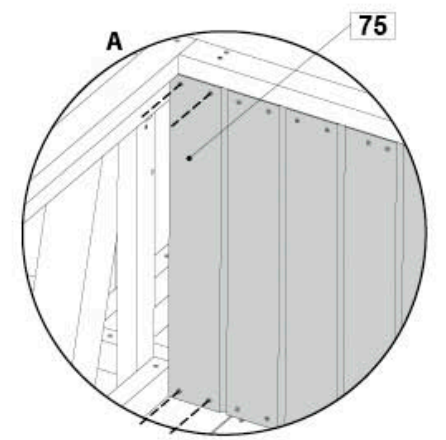
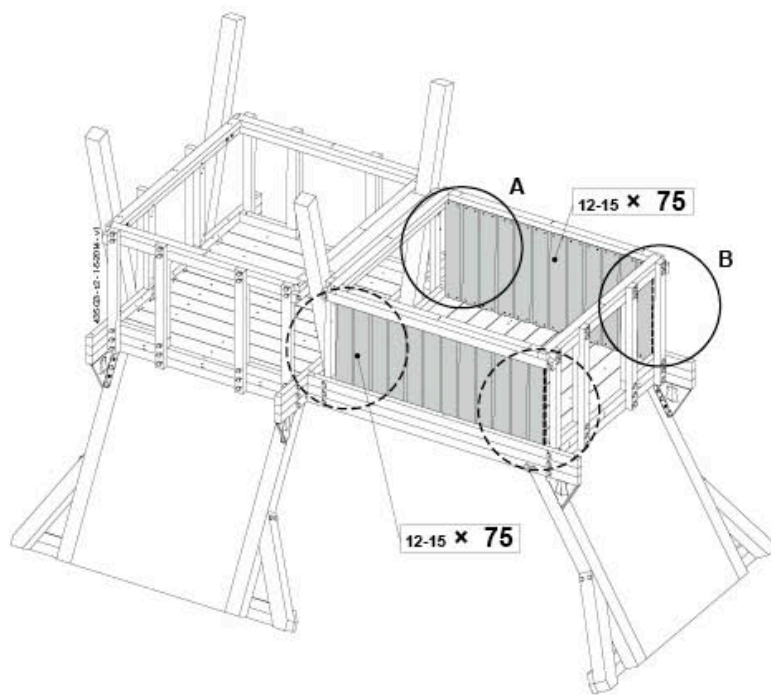
4x 100 mm



11.4g

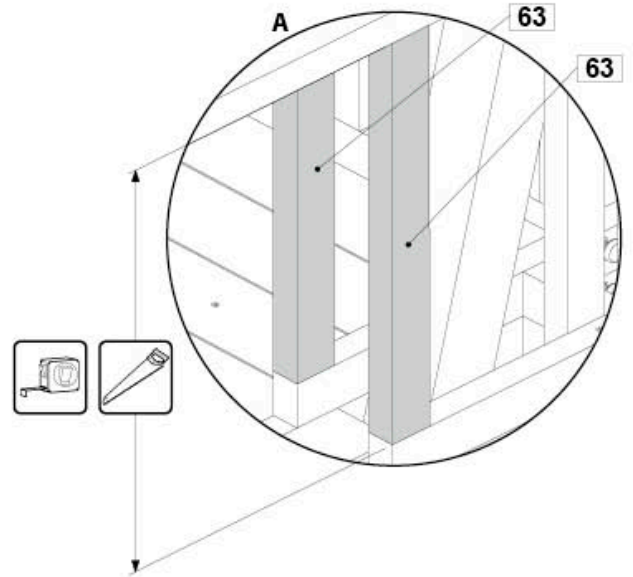
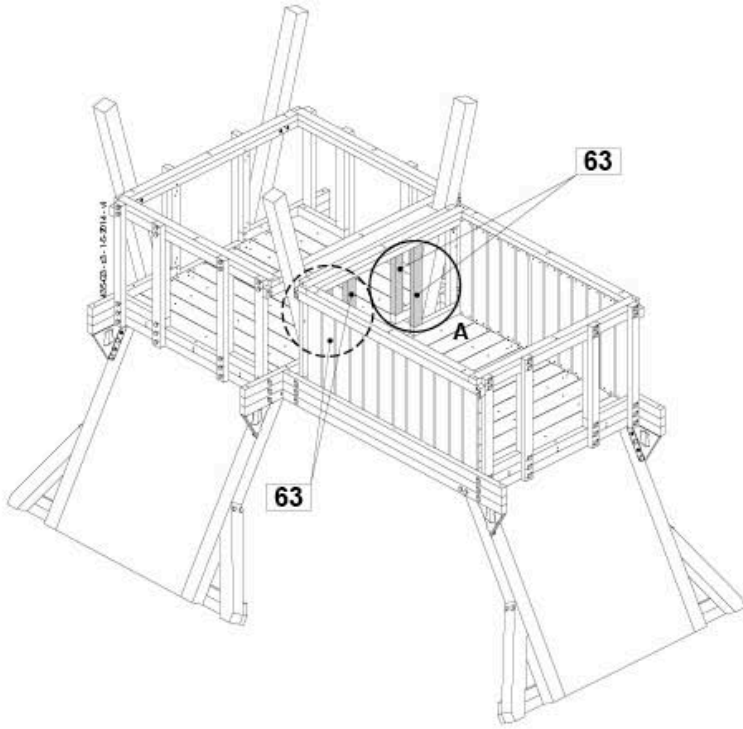


96 - 120x 45 mm





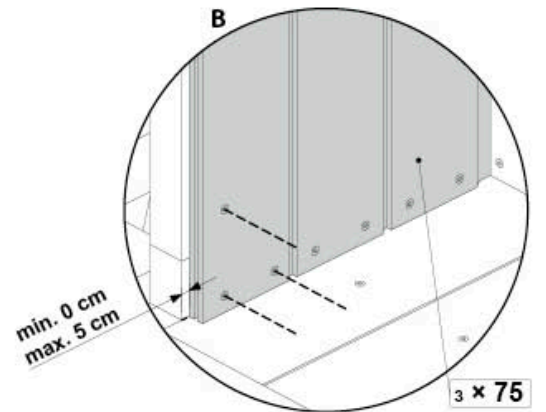
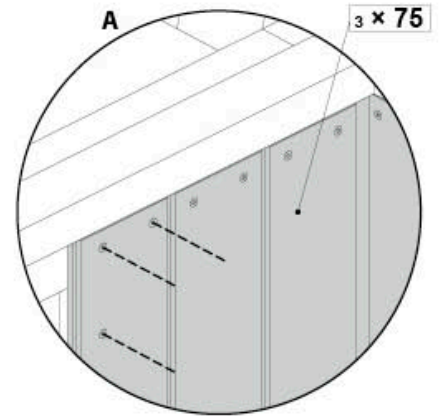
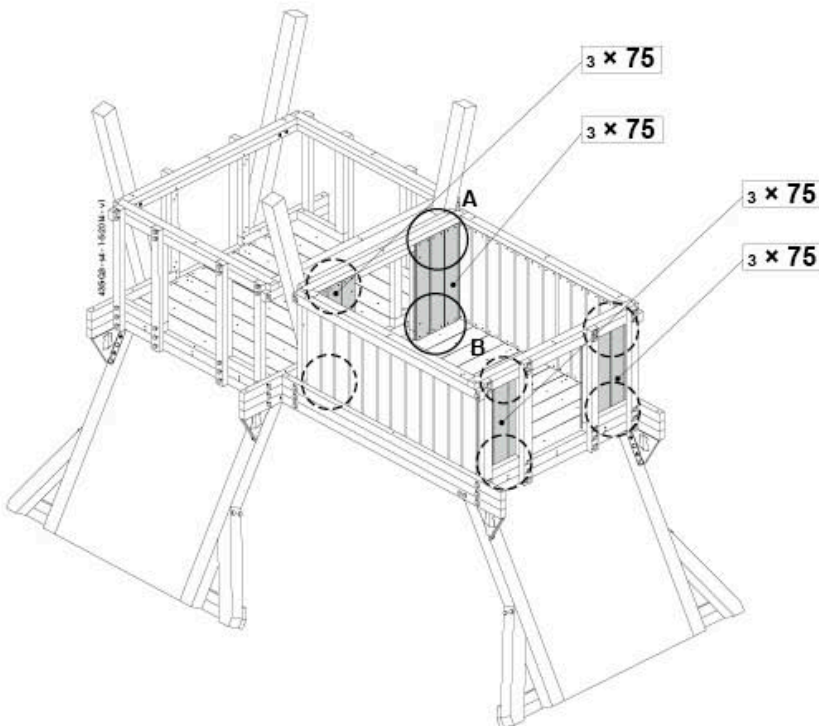
11.4h



11.4i



56x 45 mm

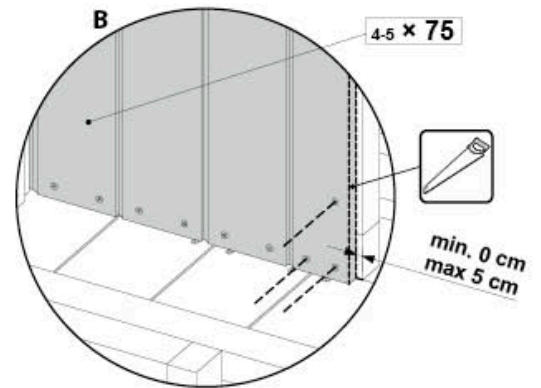
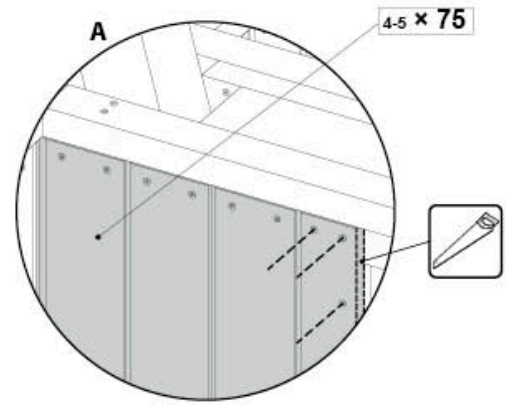
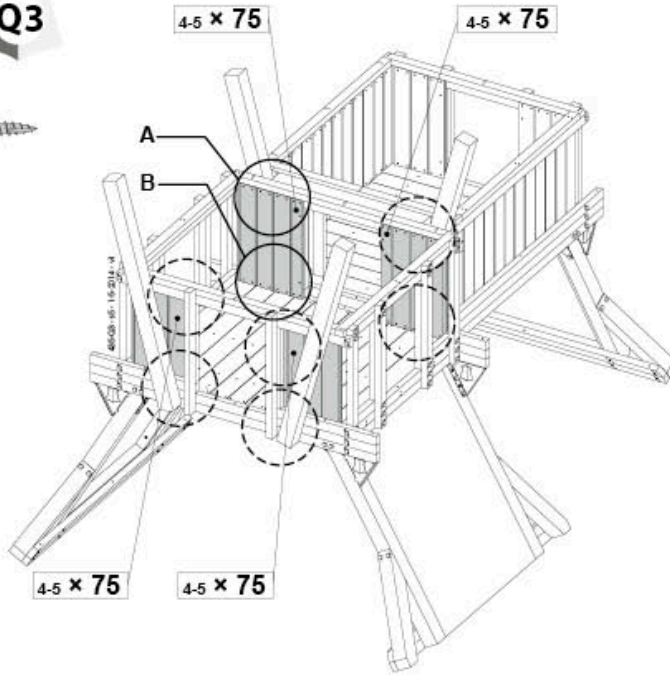
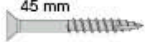


11.4j



72 - 88x

45 mm

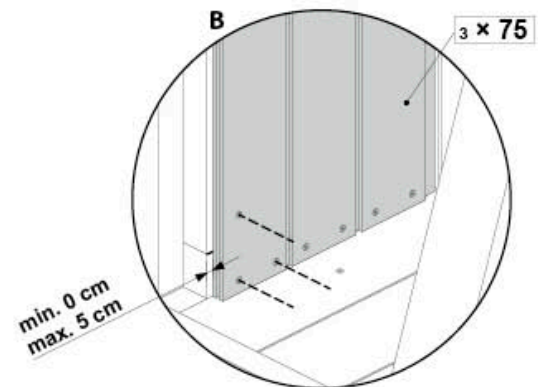
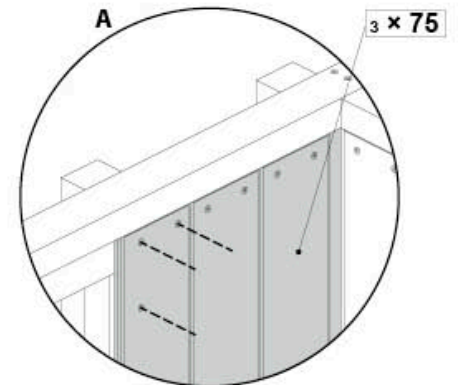
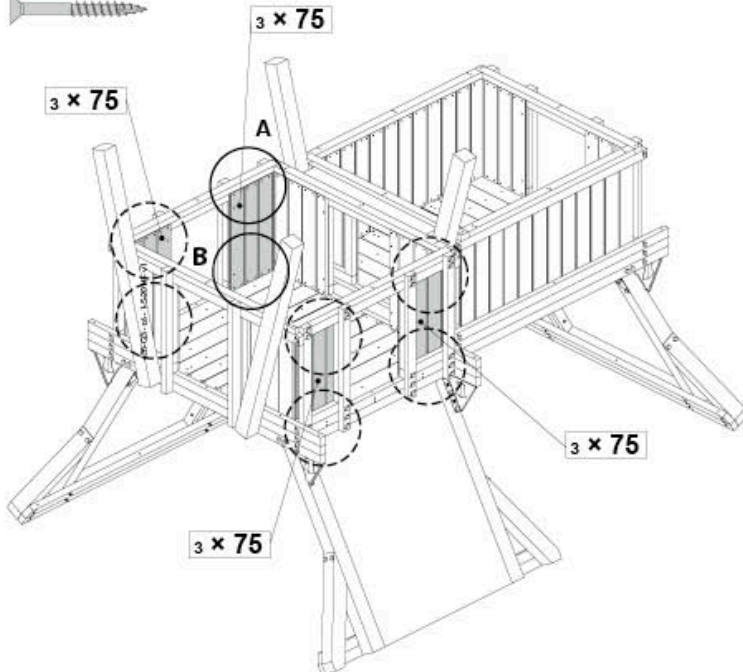
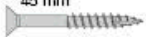


11.4k

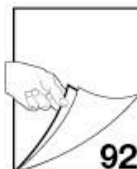
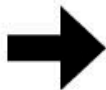


56x

45 mm

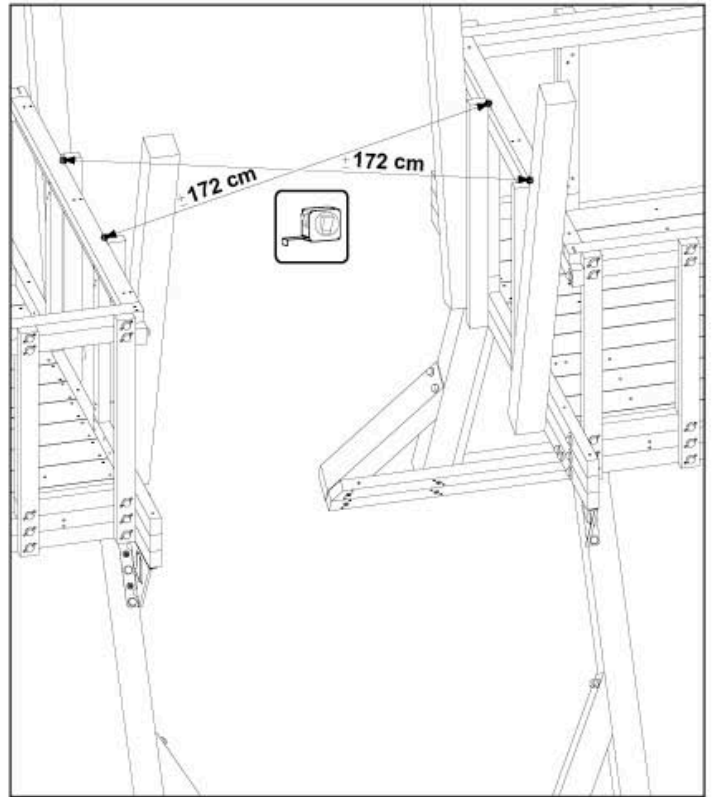
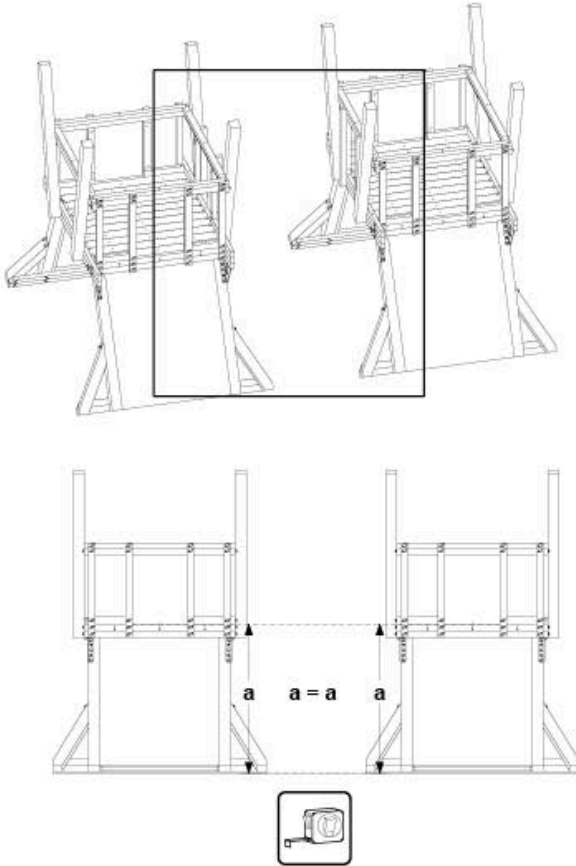


11.4L



13

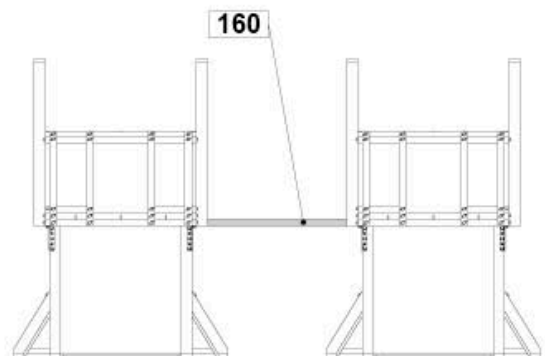
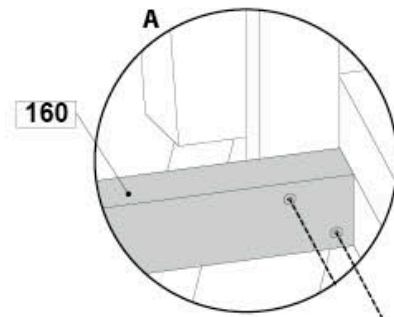
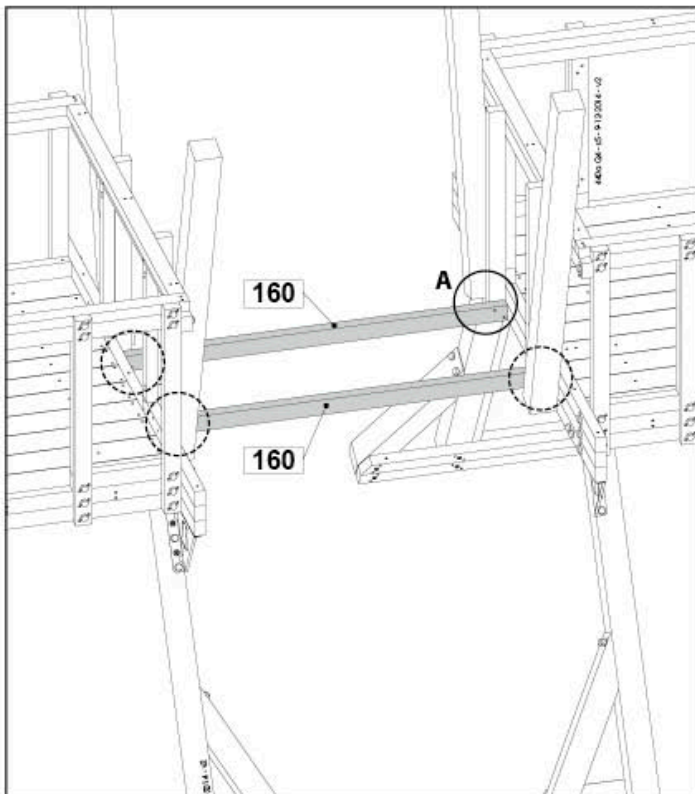
12.1a



12.1b



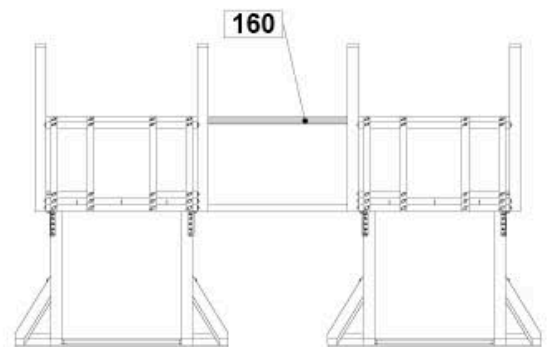
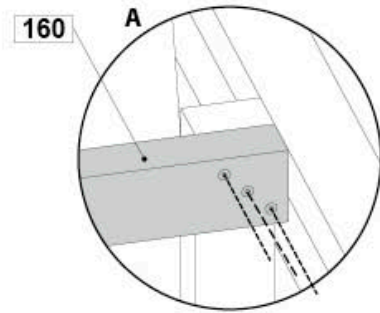
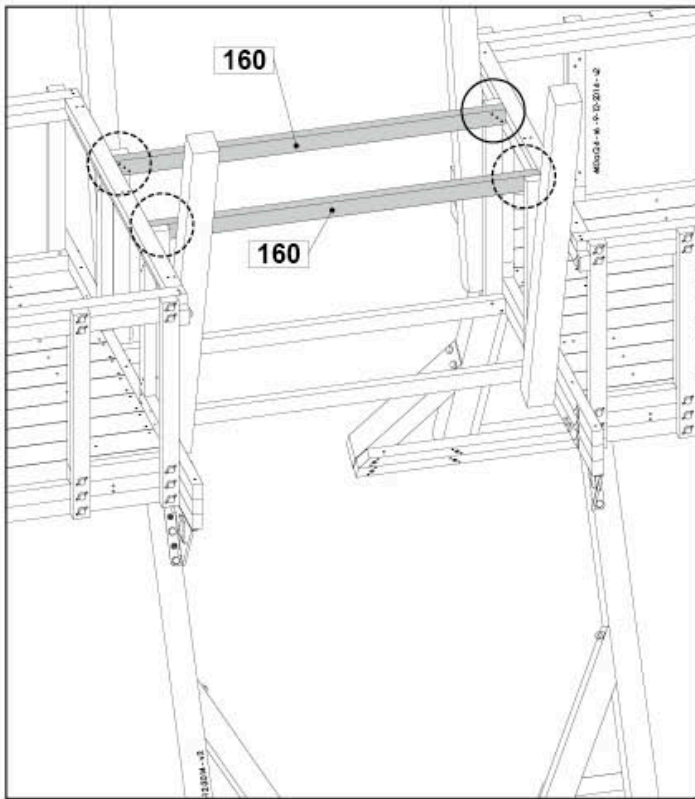
8x  80 mm



**12.1c**



12x



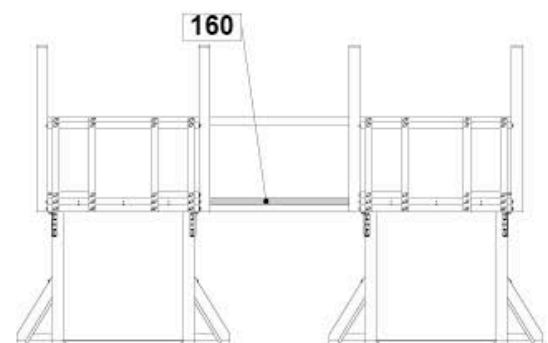
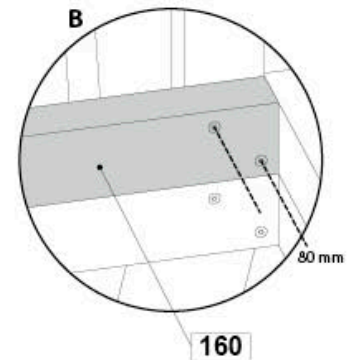
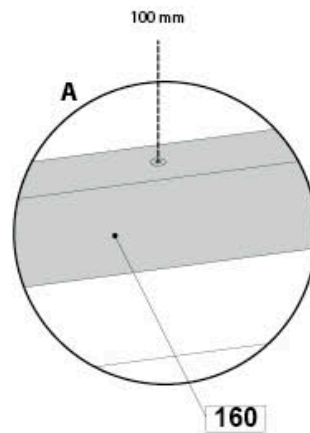
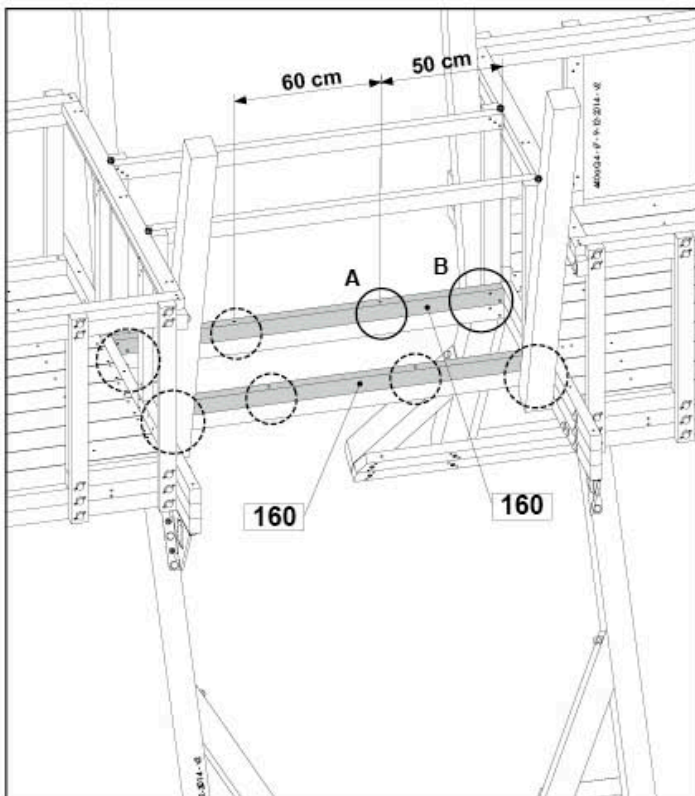
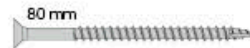
**12.1d**



4x



8x

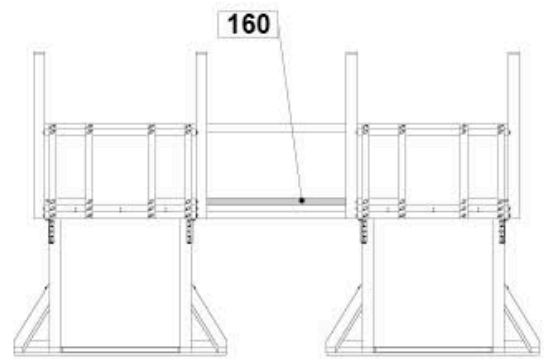
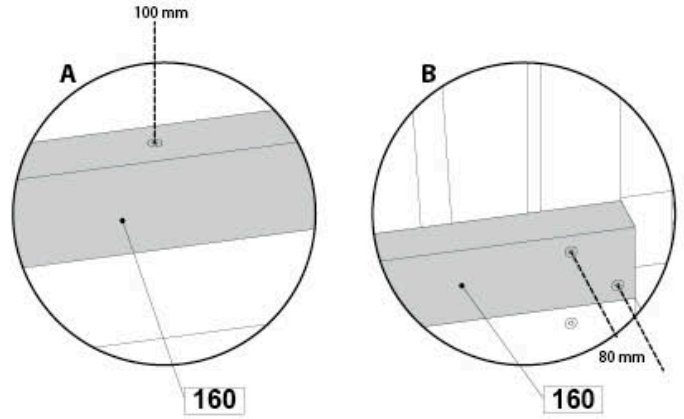
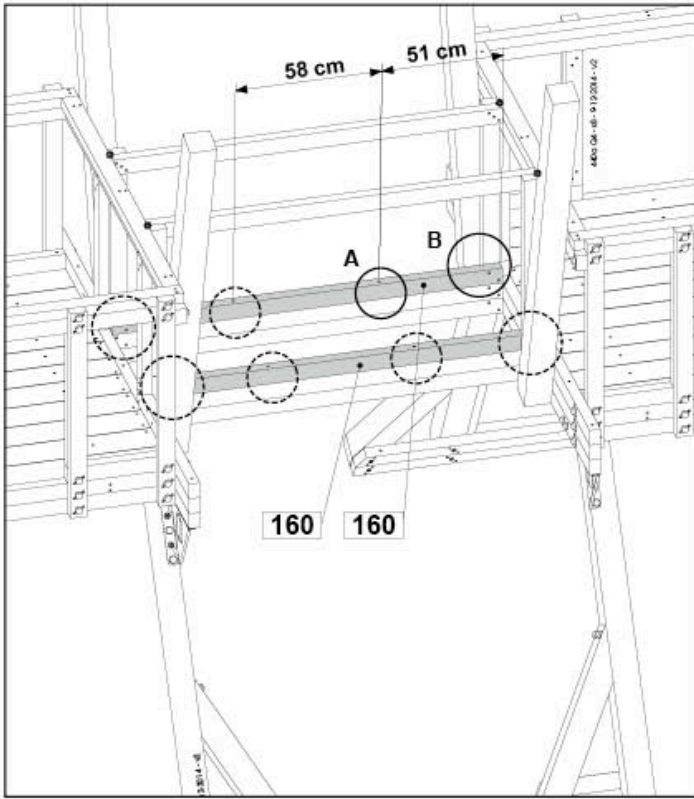


12.1e



4x 100 mm

8x 80 mm

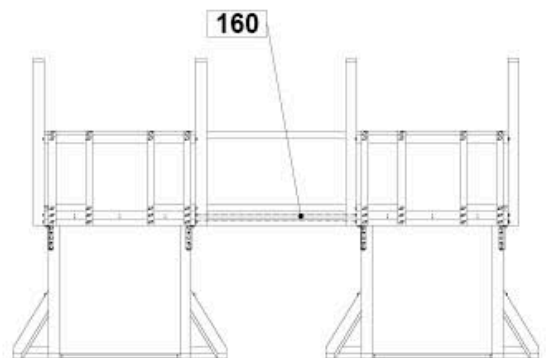
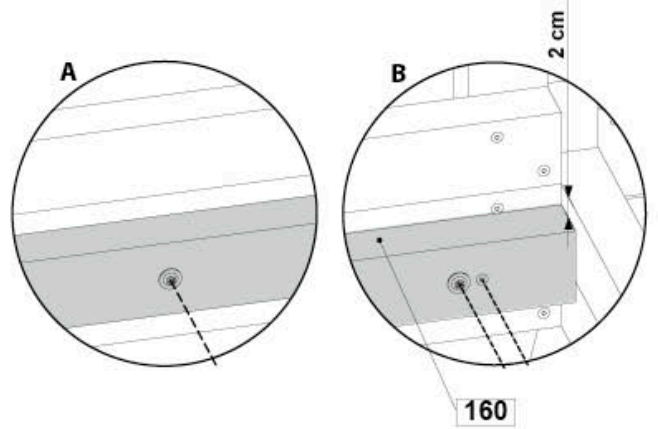
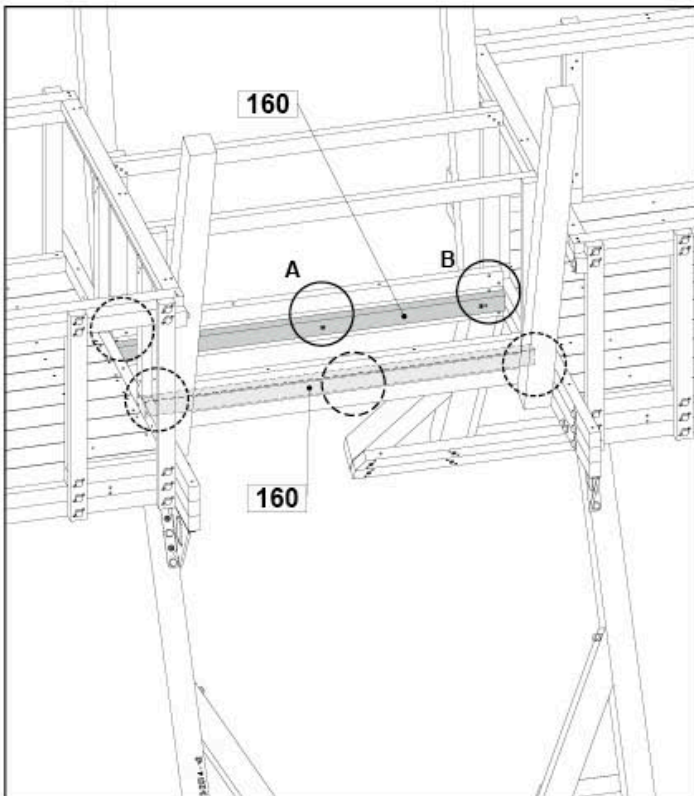


12.1f



6x 80 mm

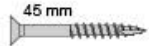
4x 80 mm



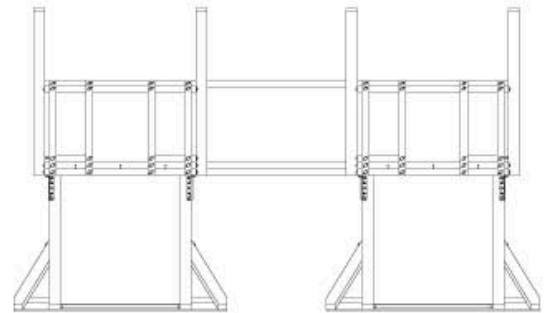
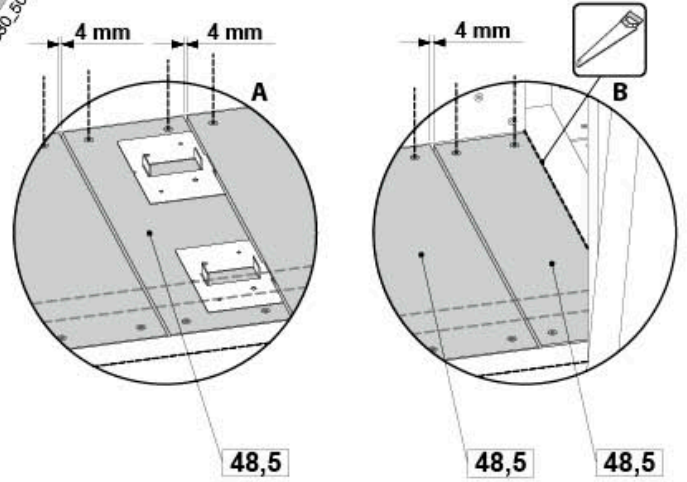
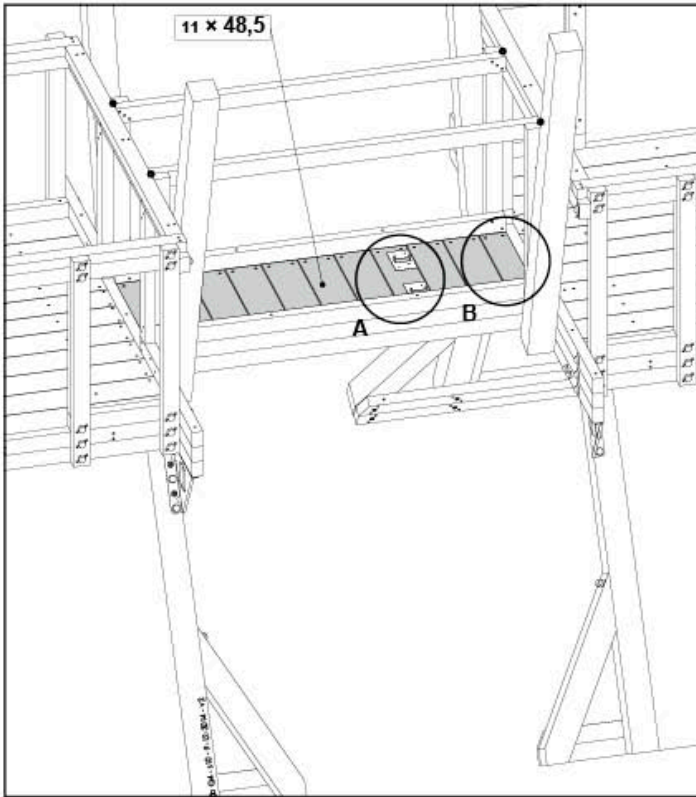
**12.1g**



44x



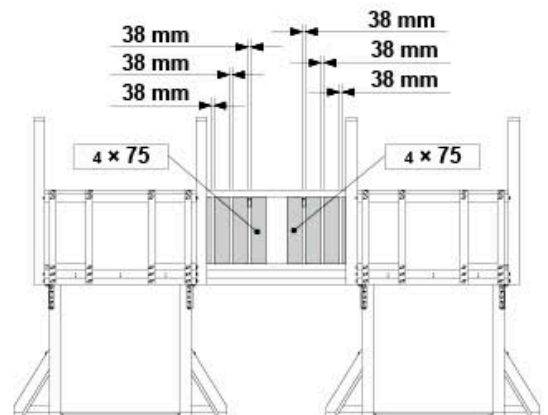
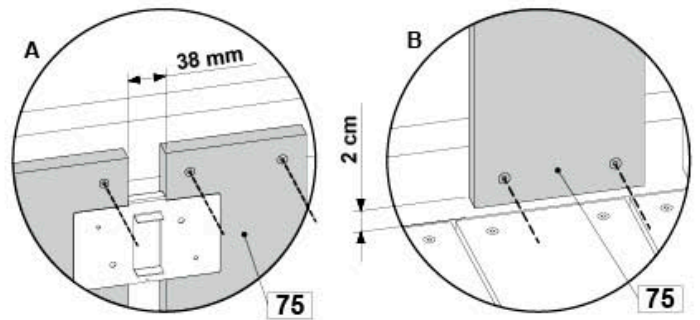
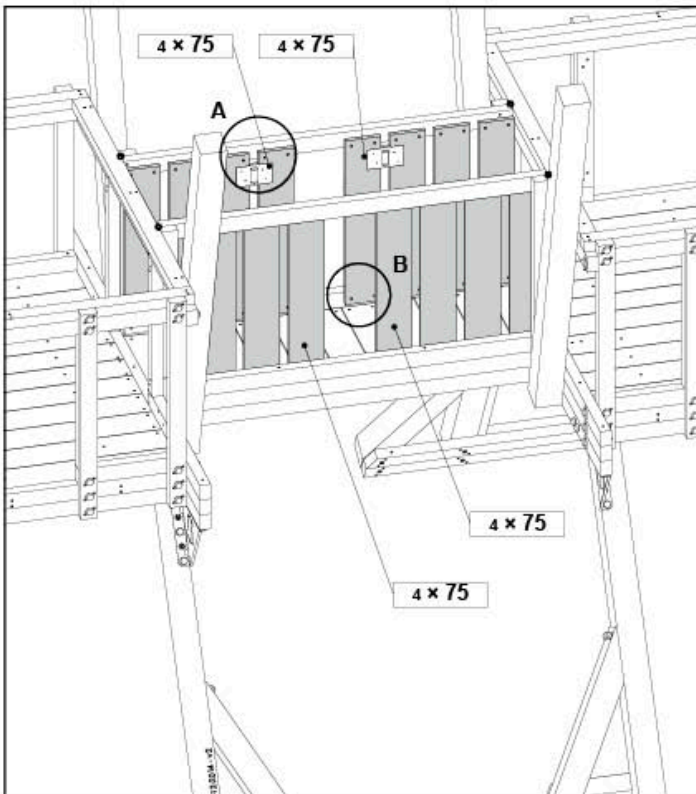
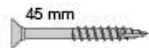
2x



**12.1h**



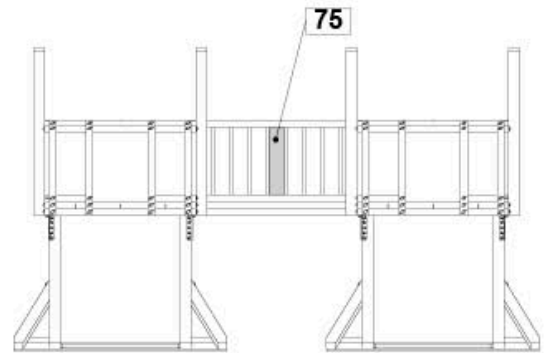
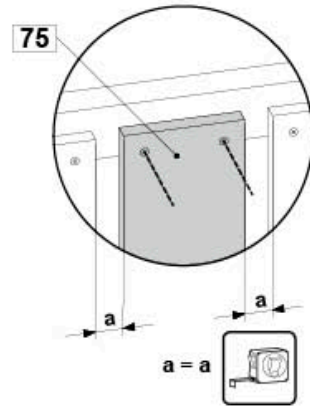
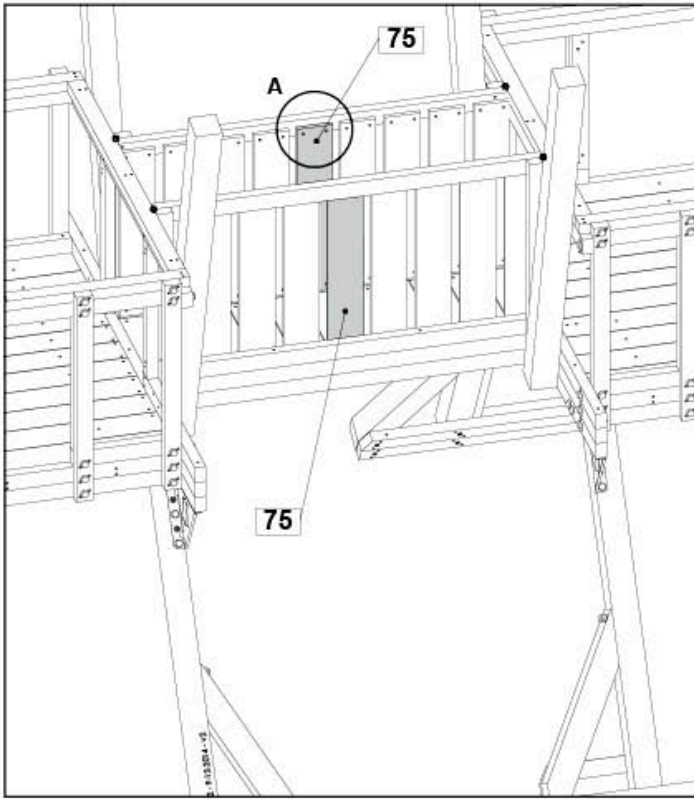
64x



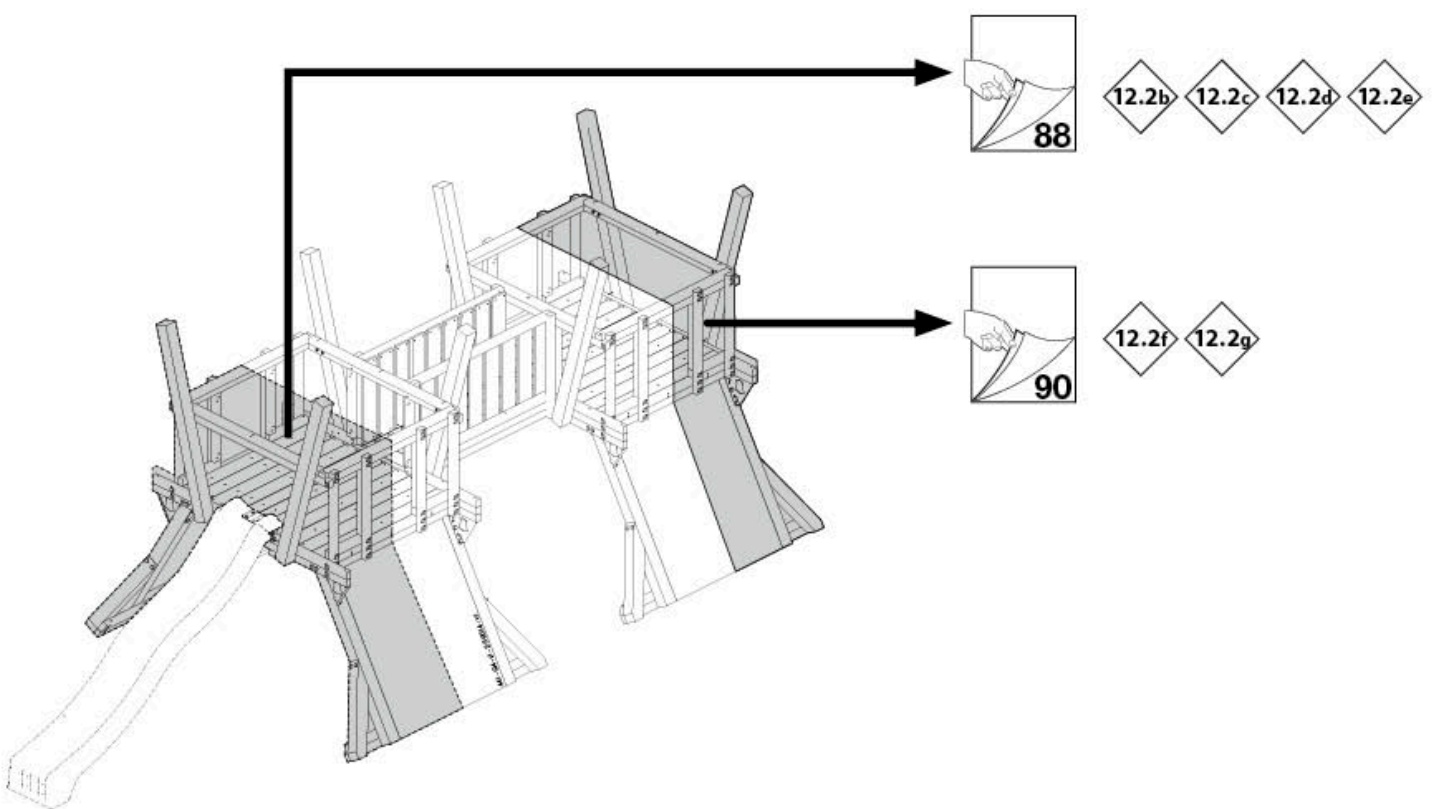
12.1i



8x 45 mm



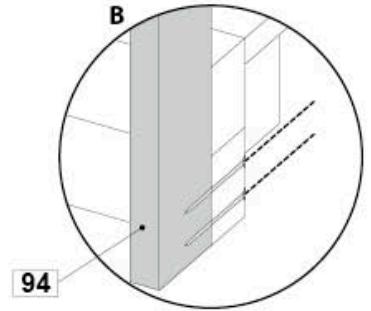
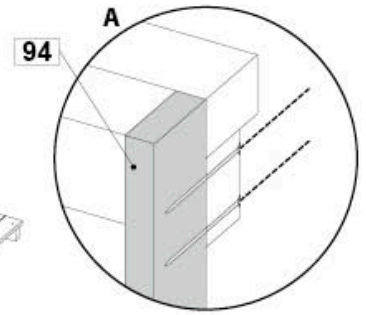
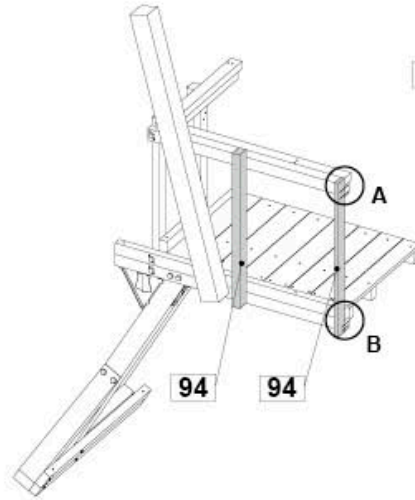
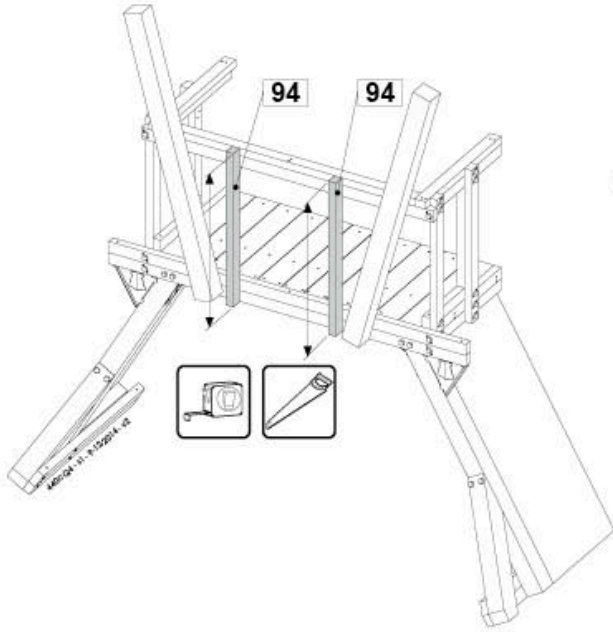
12.2a



# 12.2b



8x 80 mm



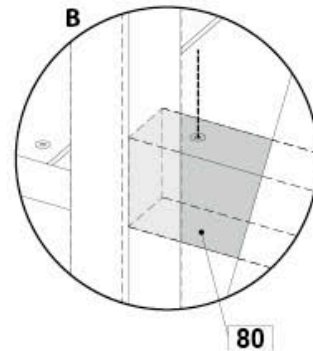
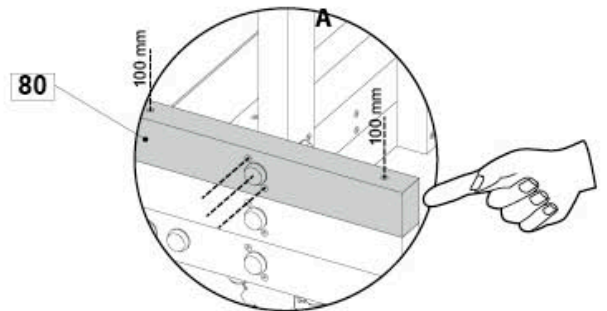
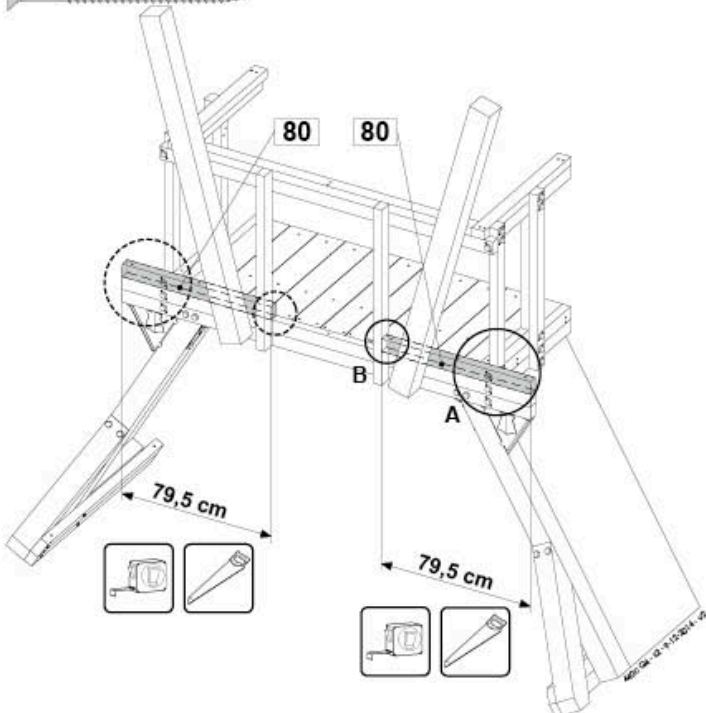
# 12.2c



2x 80 mm

6x 100 mm

4x 80 mm

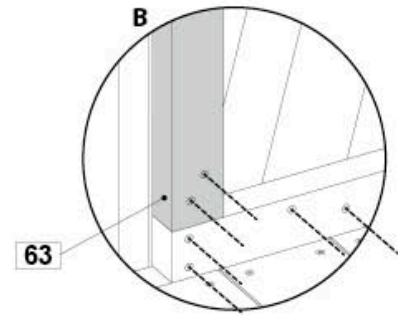
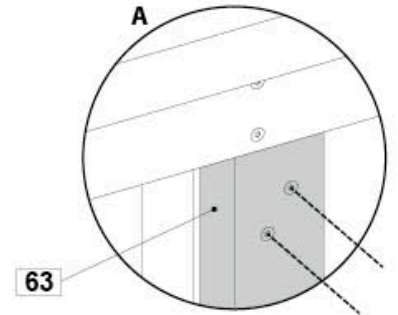
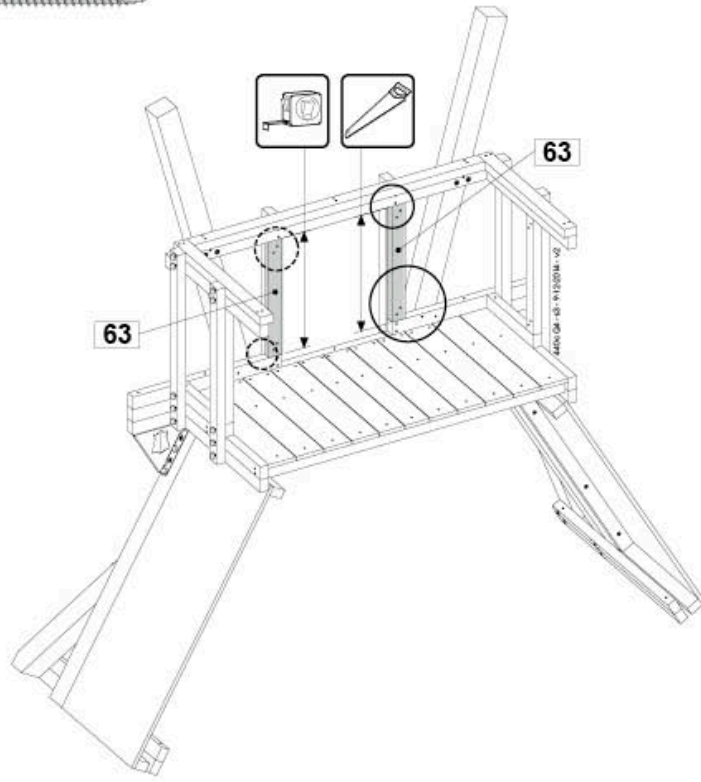




12.2d



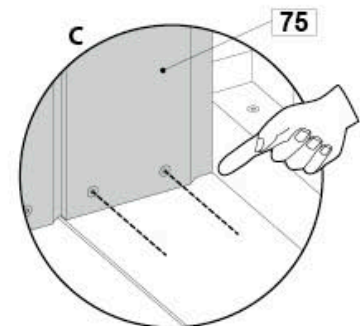
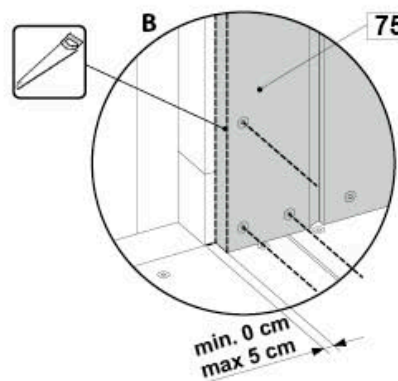
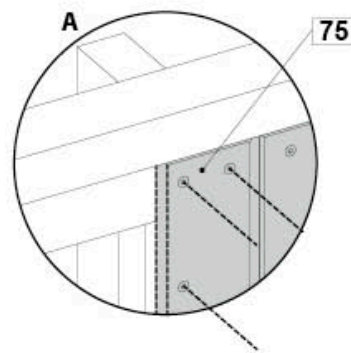
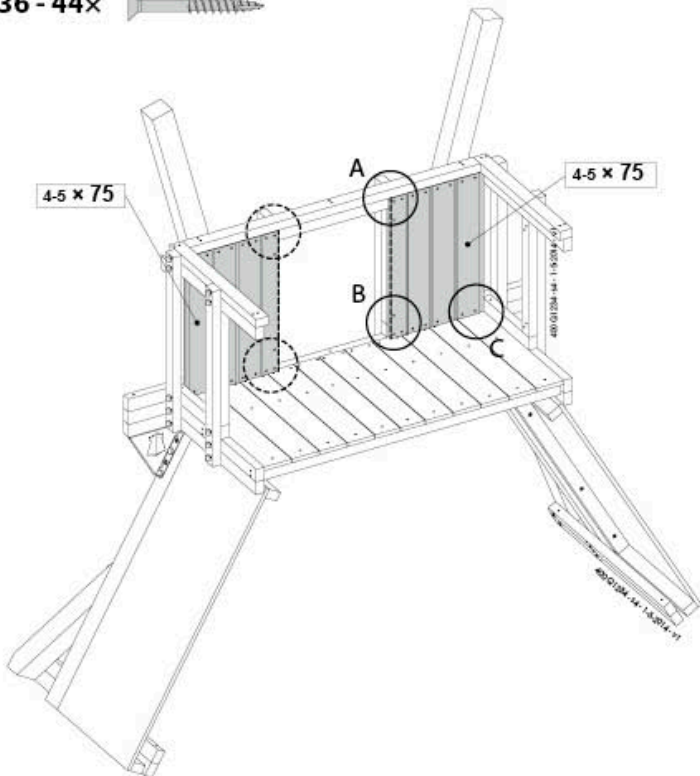
16x 80 mm



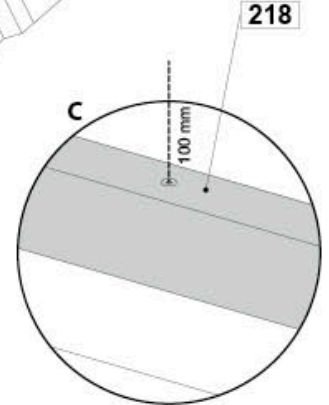
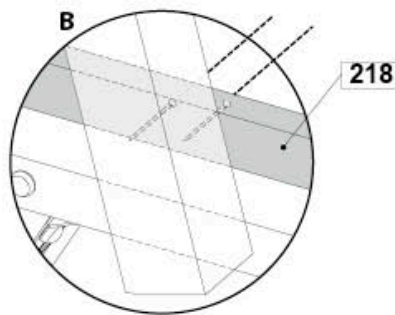
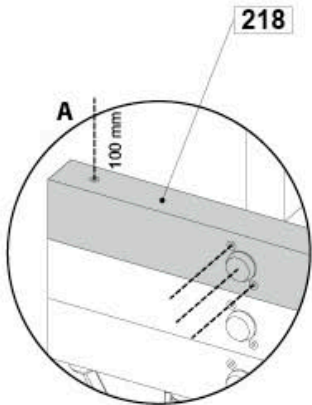
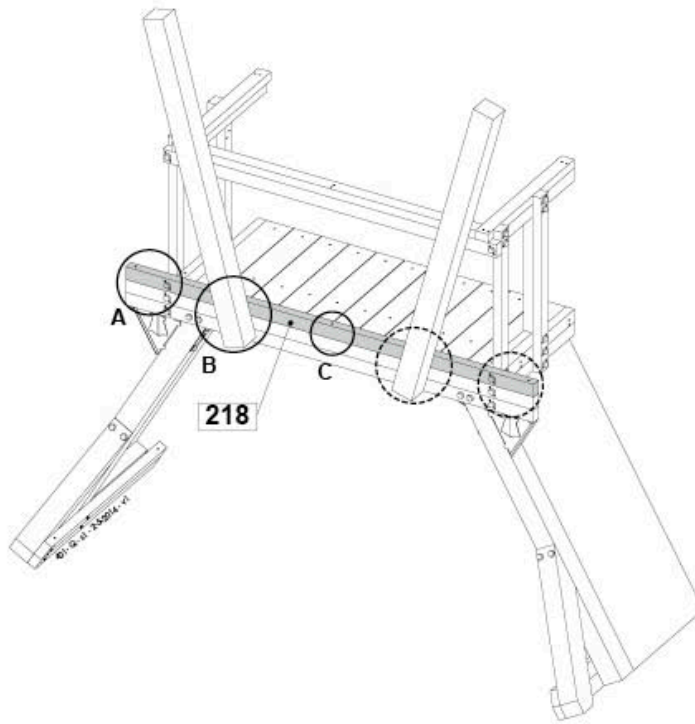
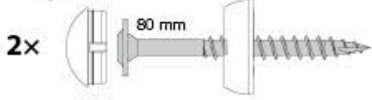
12.2e



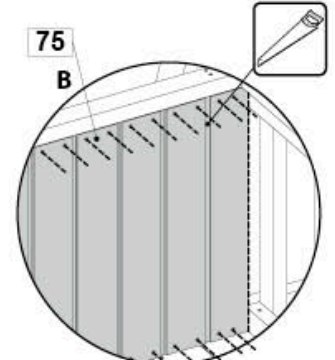
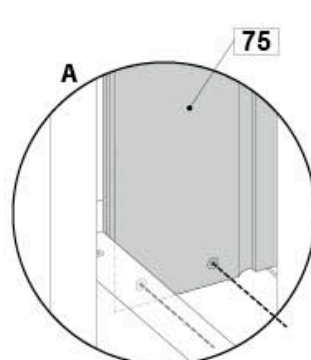
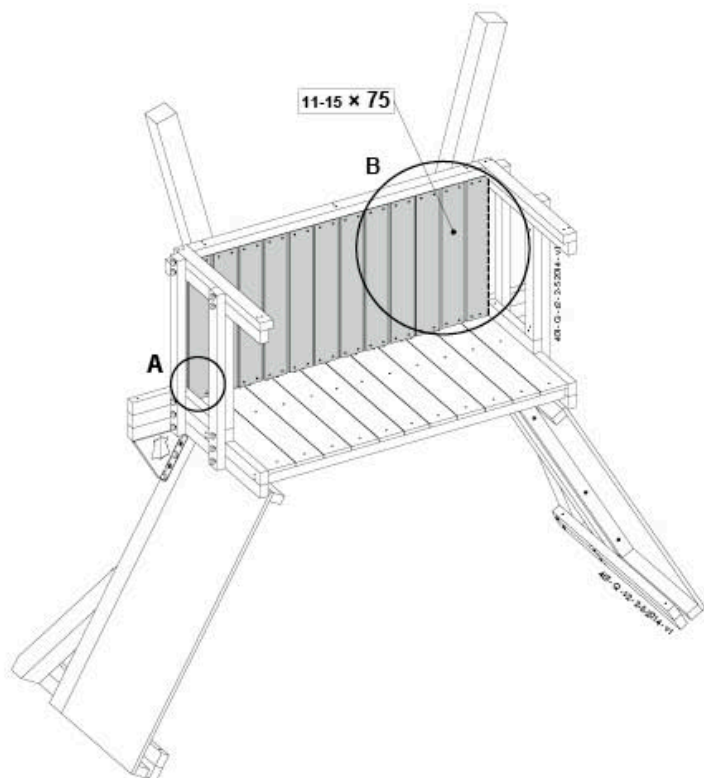
36 - 44x 45 mm



**12.2f**



**12.2g**



12.2h



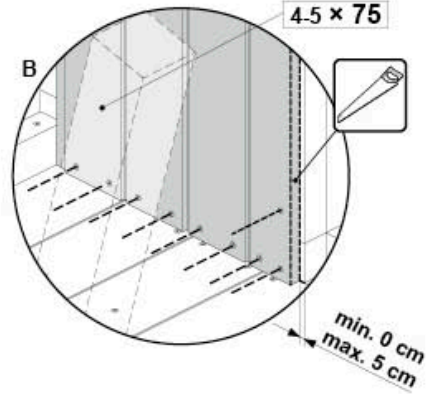
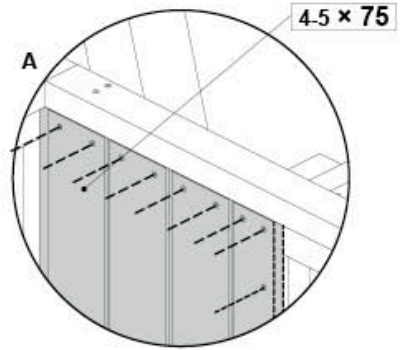
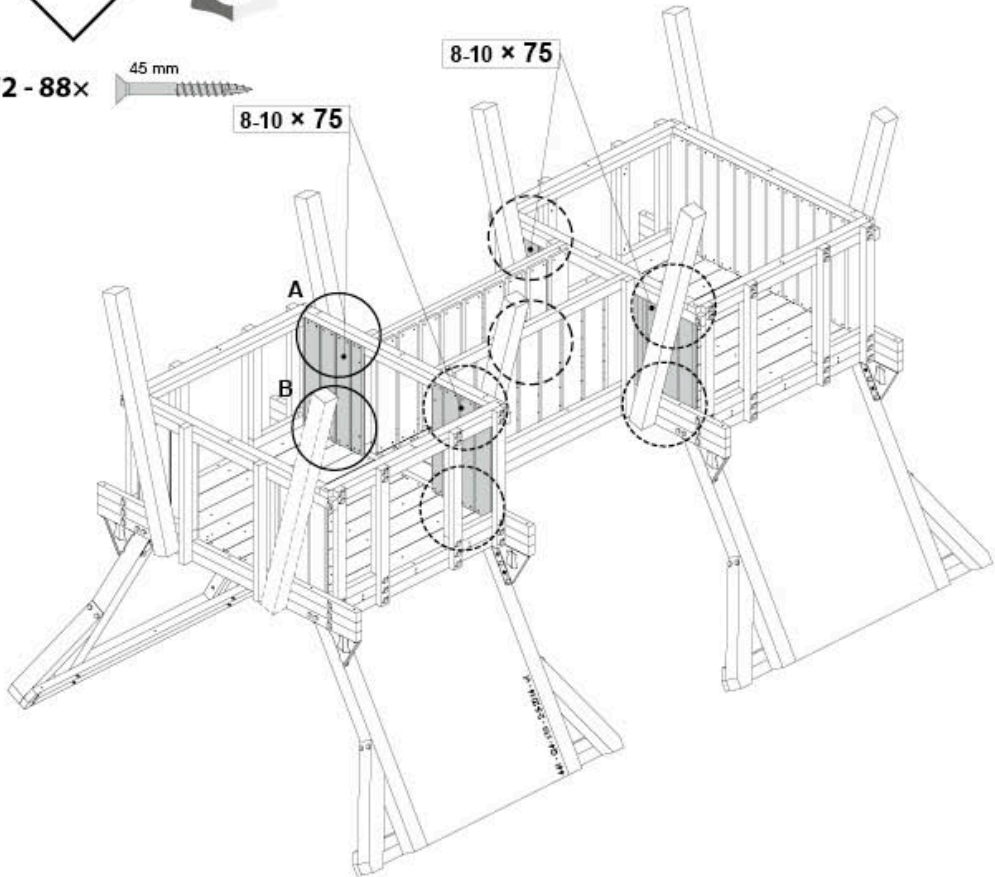
72 - 88x

45 mm



8-10 x 75

8-10 x 75



12.2i



112x

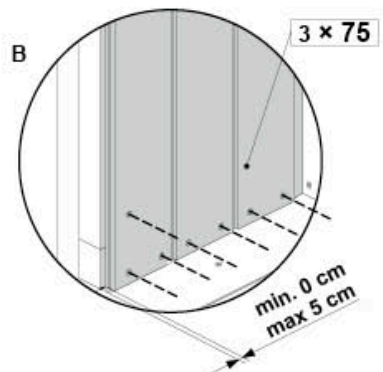
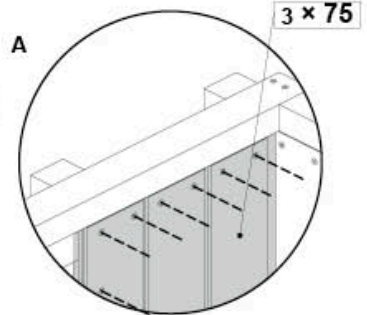
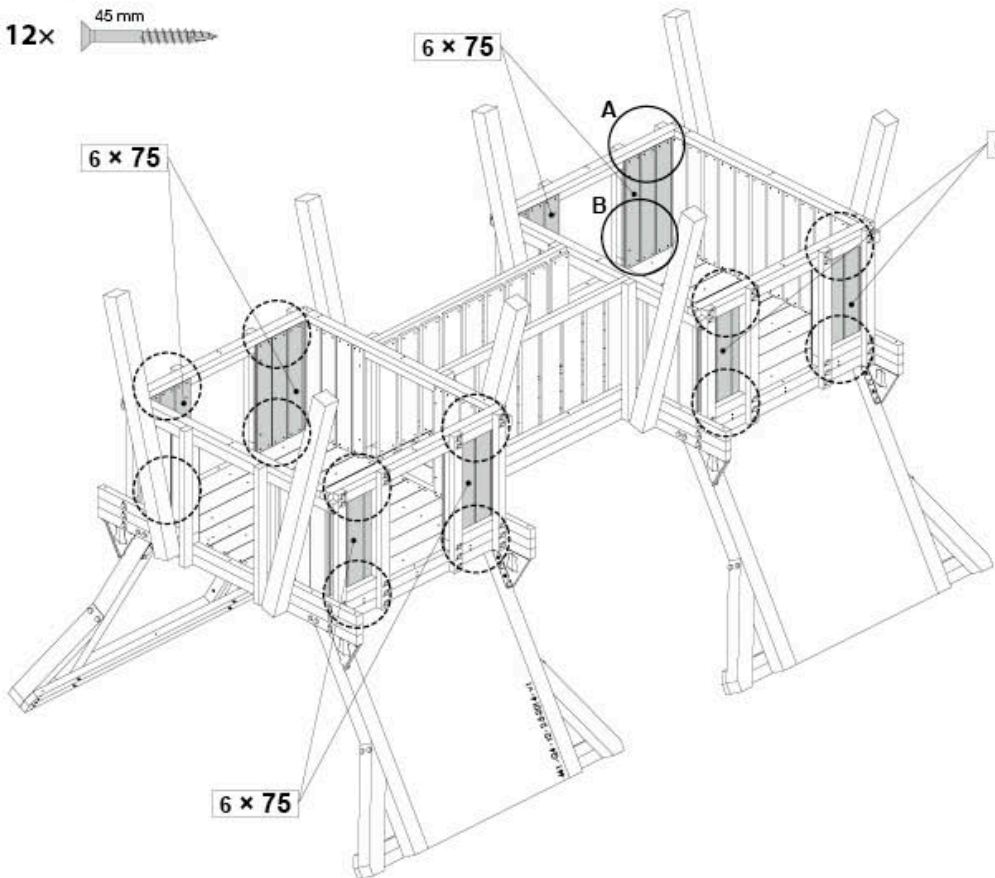
45 mm



6 x 75

6 x 75

6 x 75



13

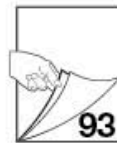
Q2



13a

13r

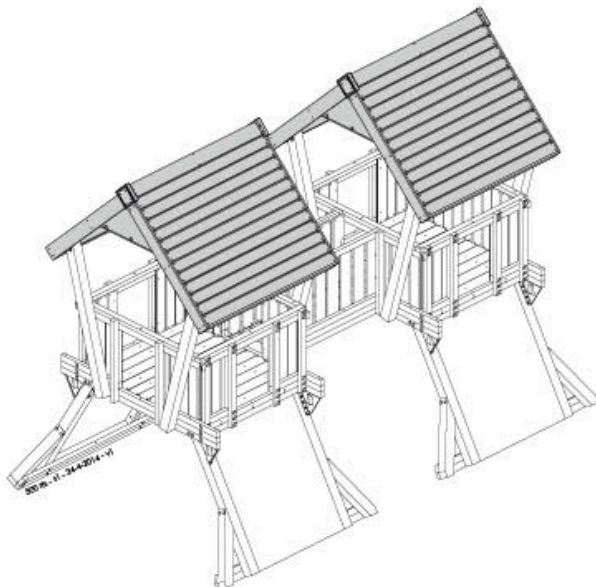
Q3



13a

13r

Q4



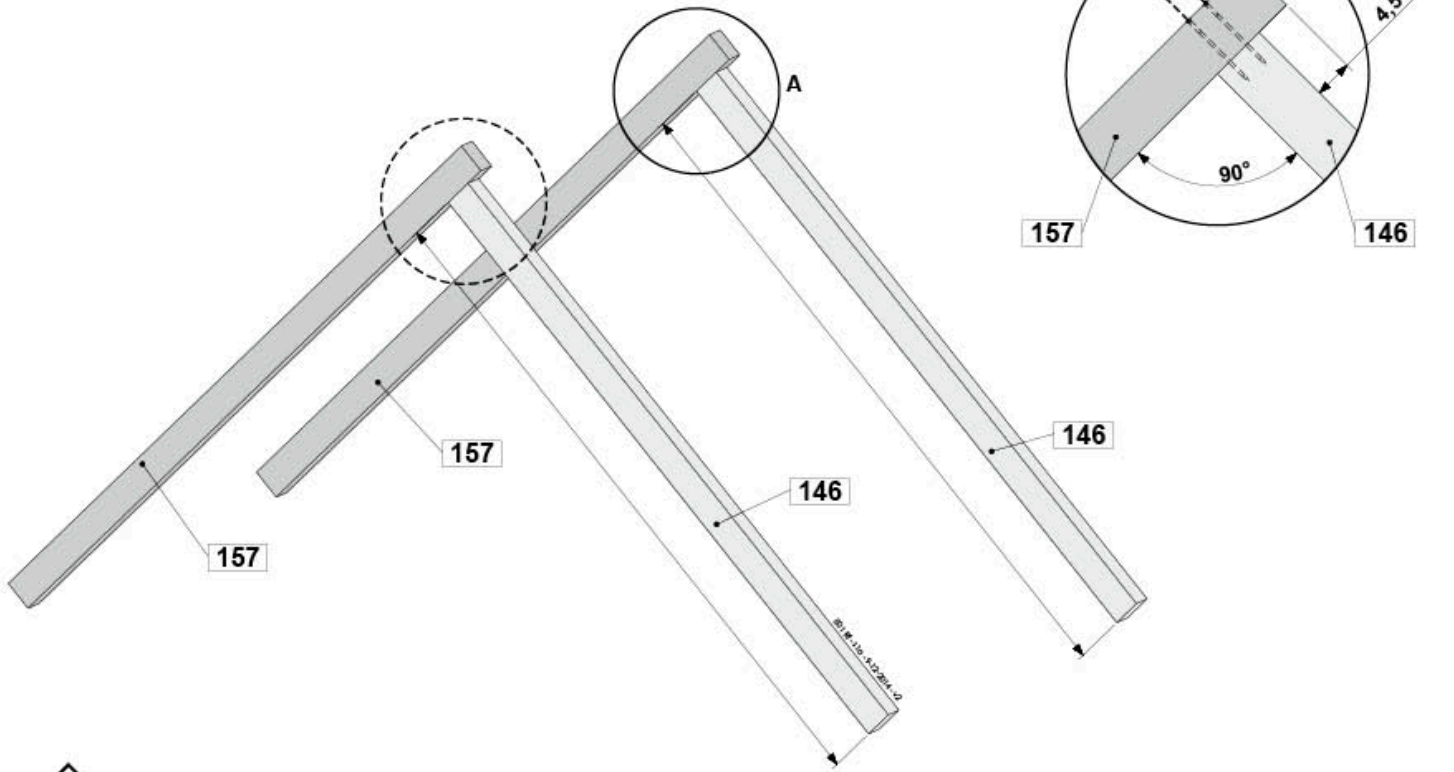
13a

13r

2x

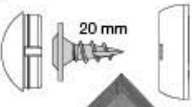
# 13a

4x 80 mm



# 13b

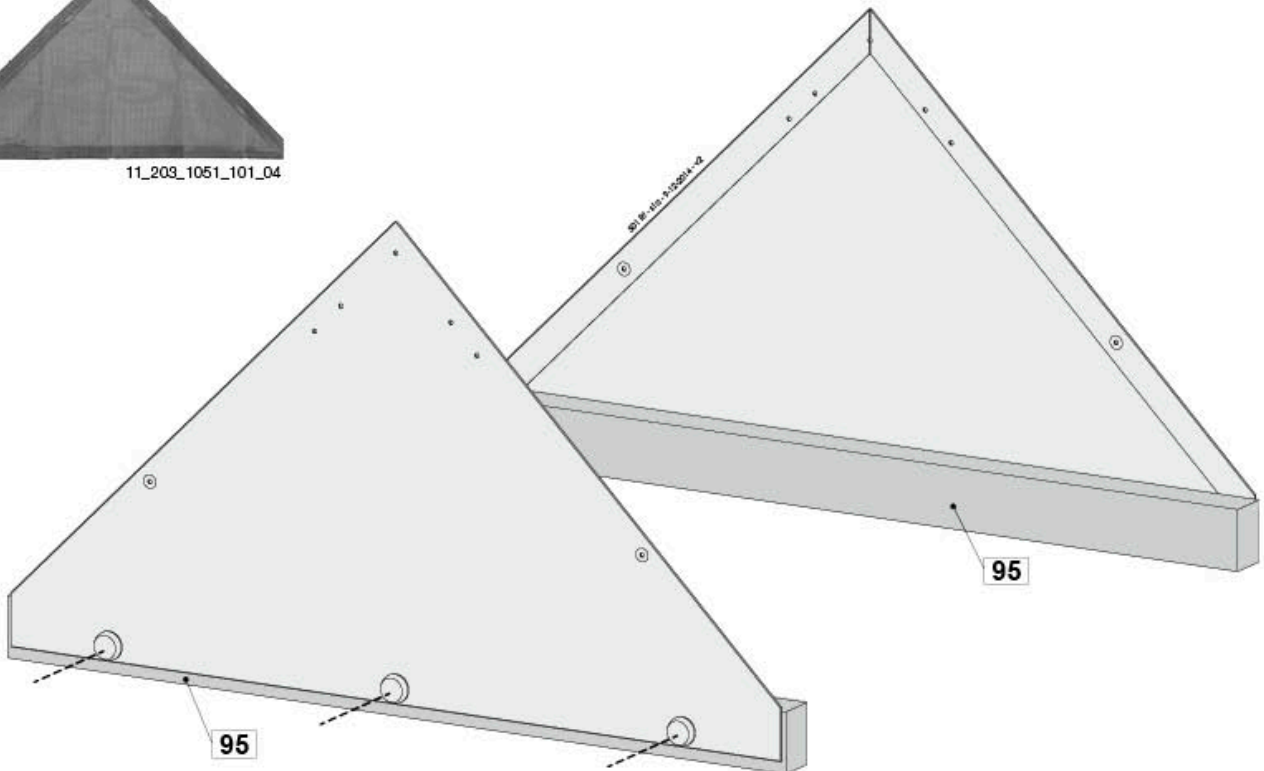
6x 20 mm



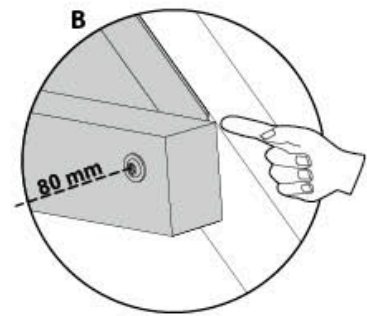
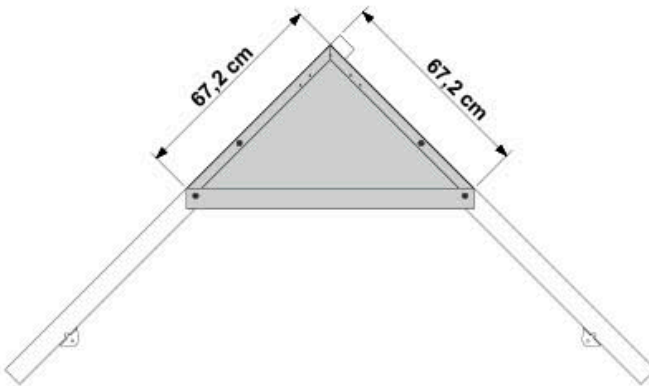
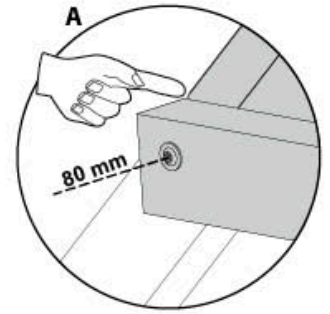
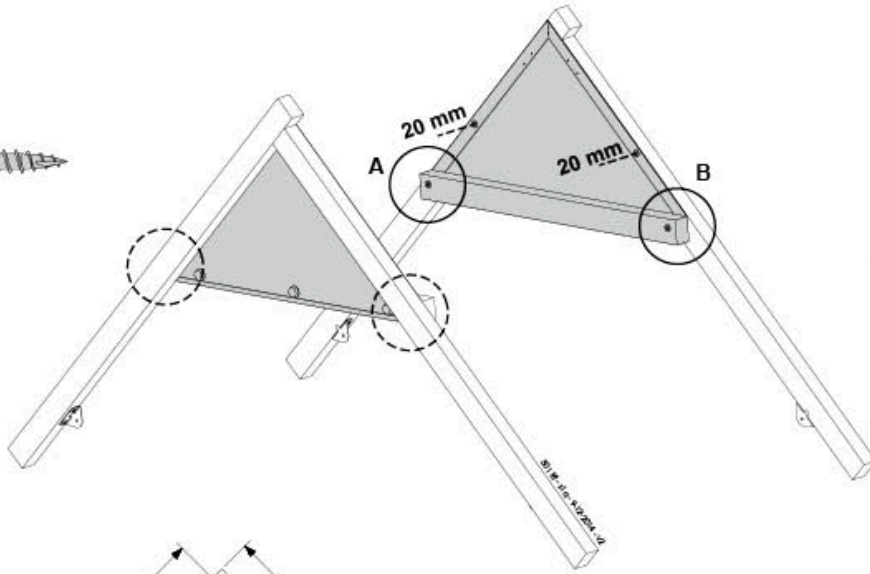
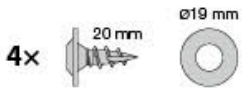
2x



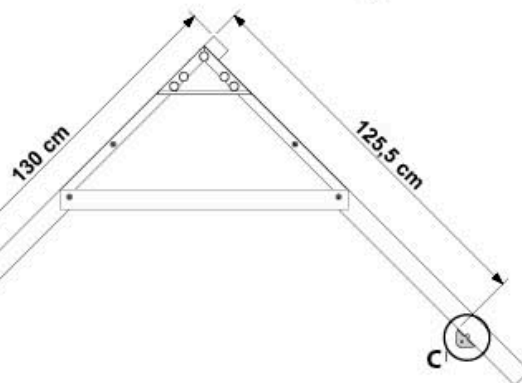
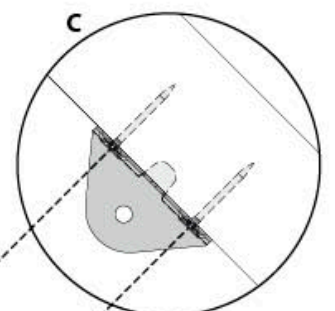
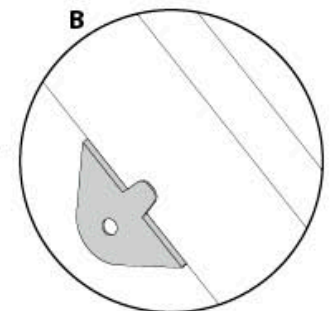
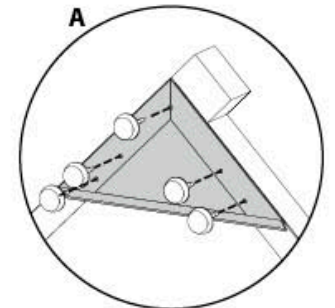
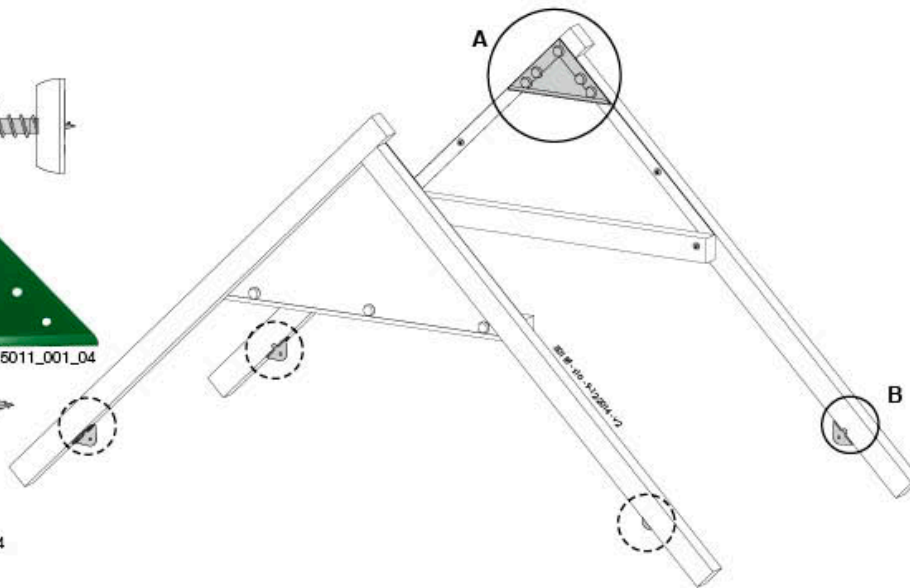
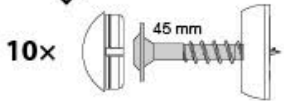
11\_203\_1051\_101\_04



# 13c

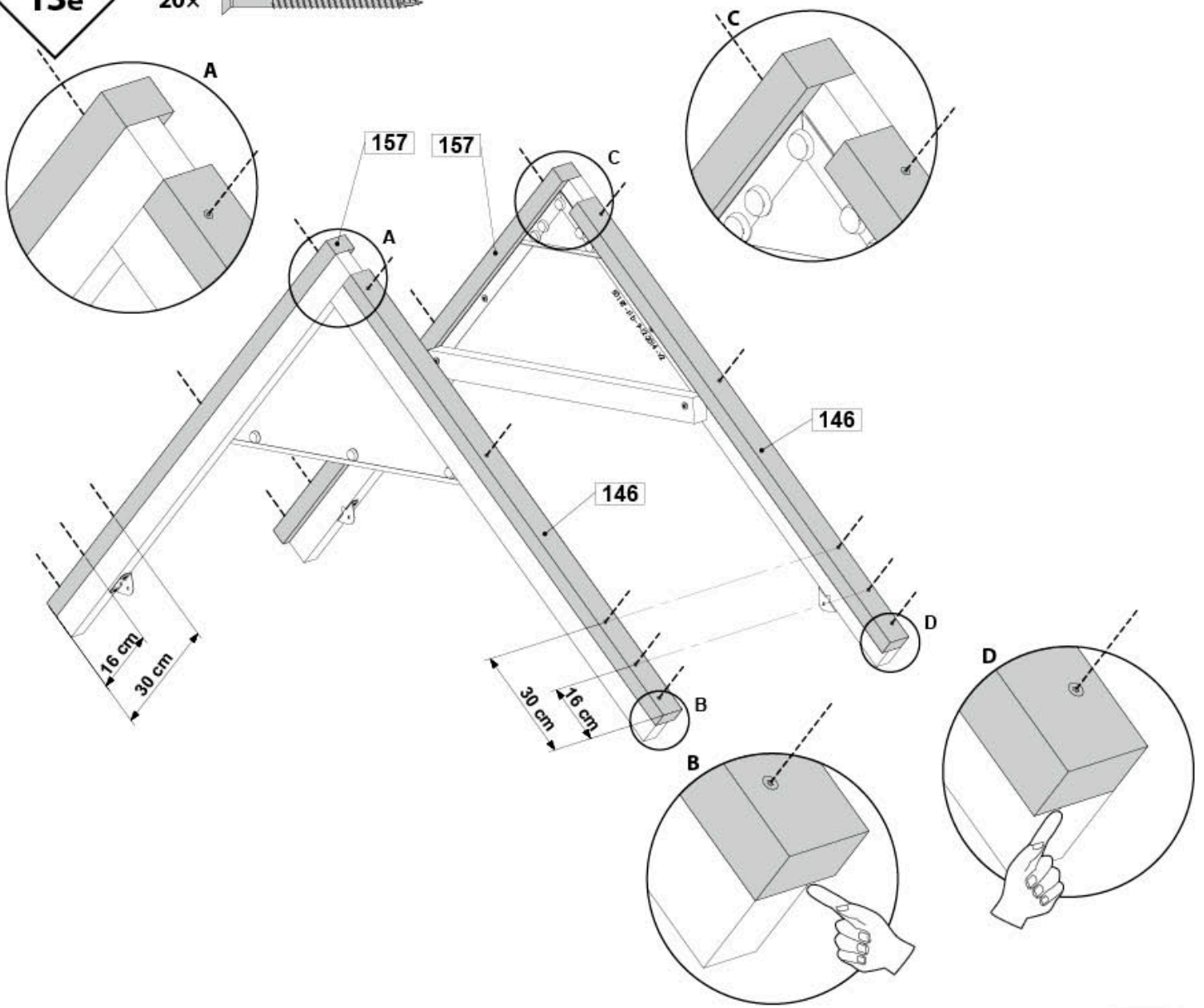


# 13d

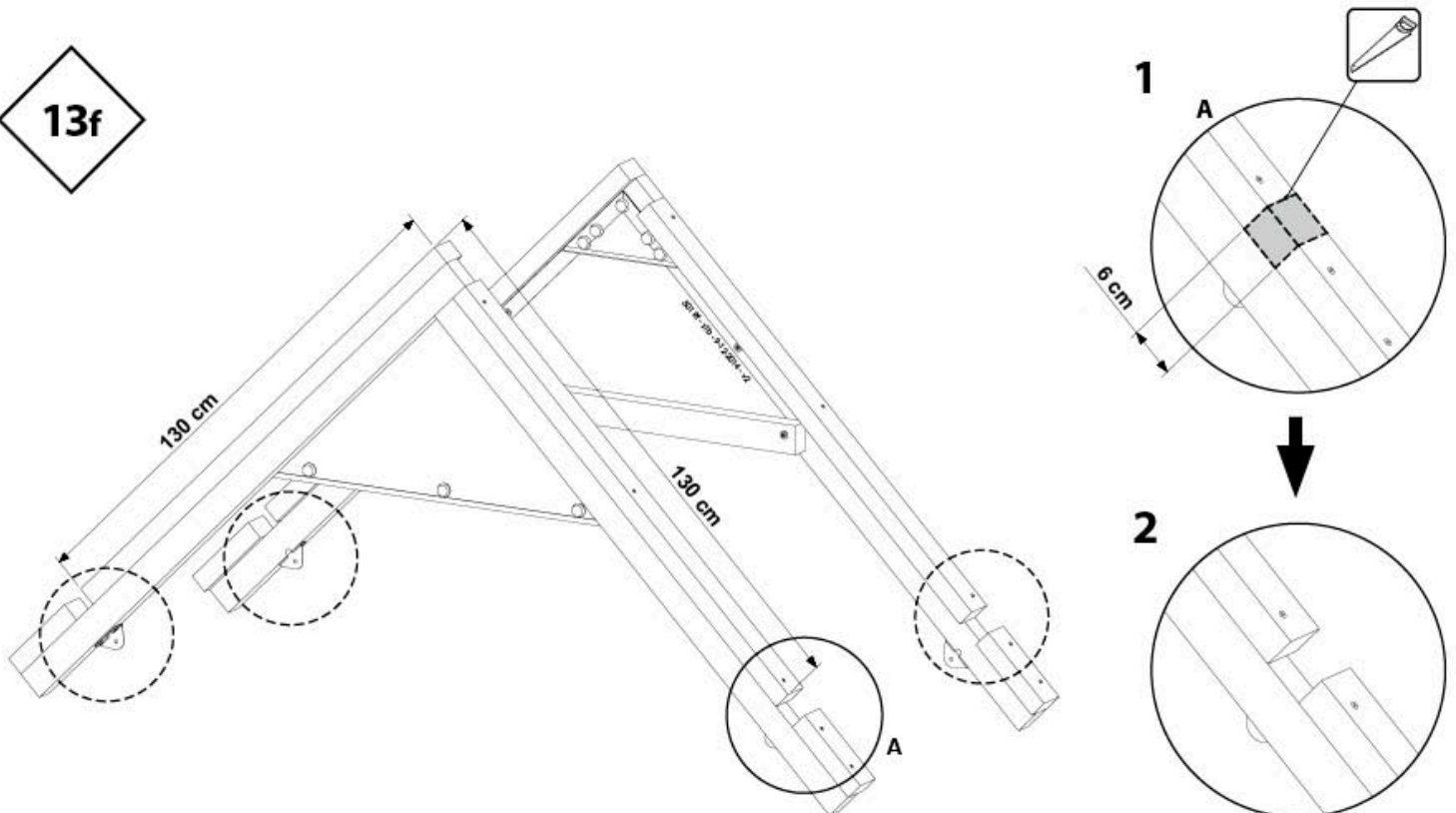


13e

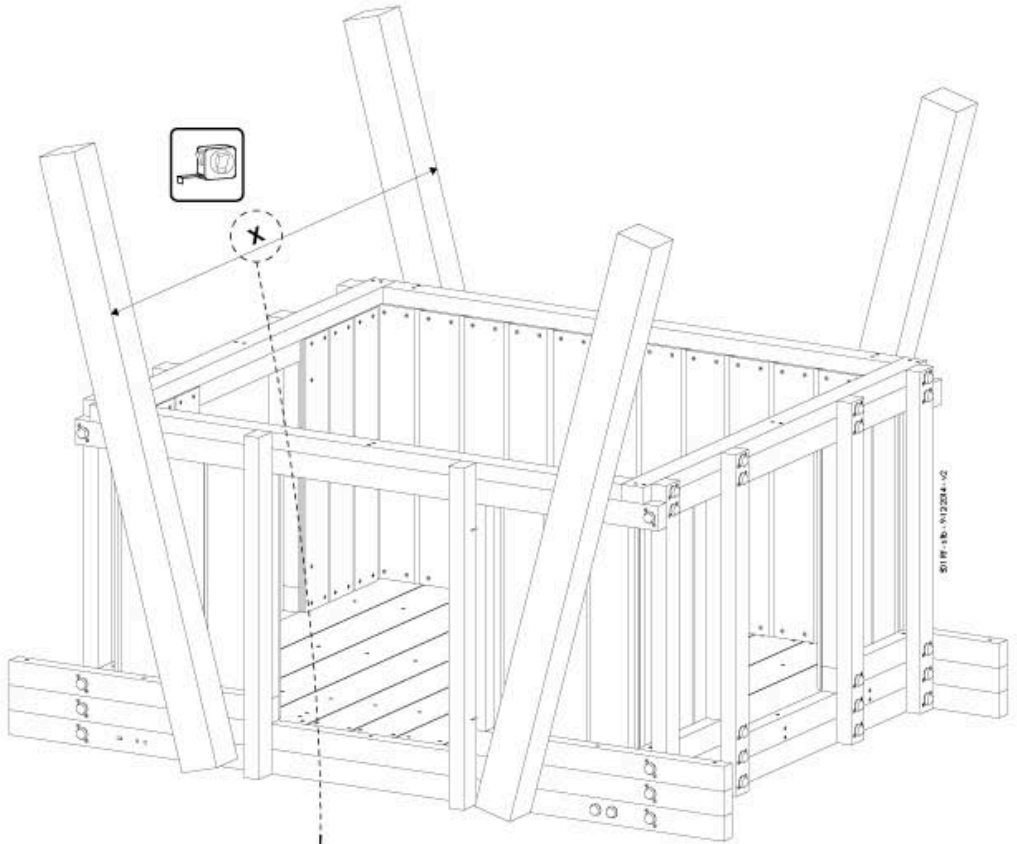
20x 80 mm



13f

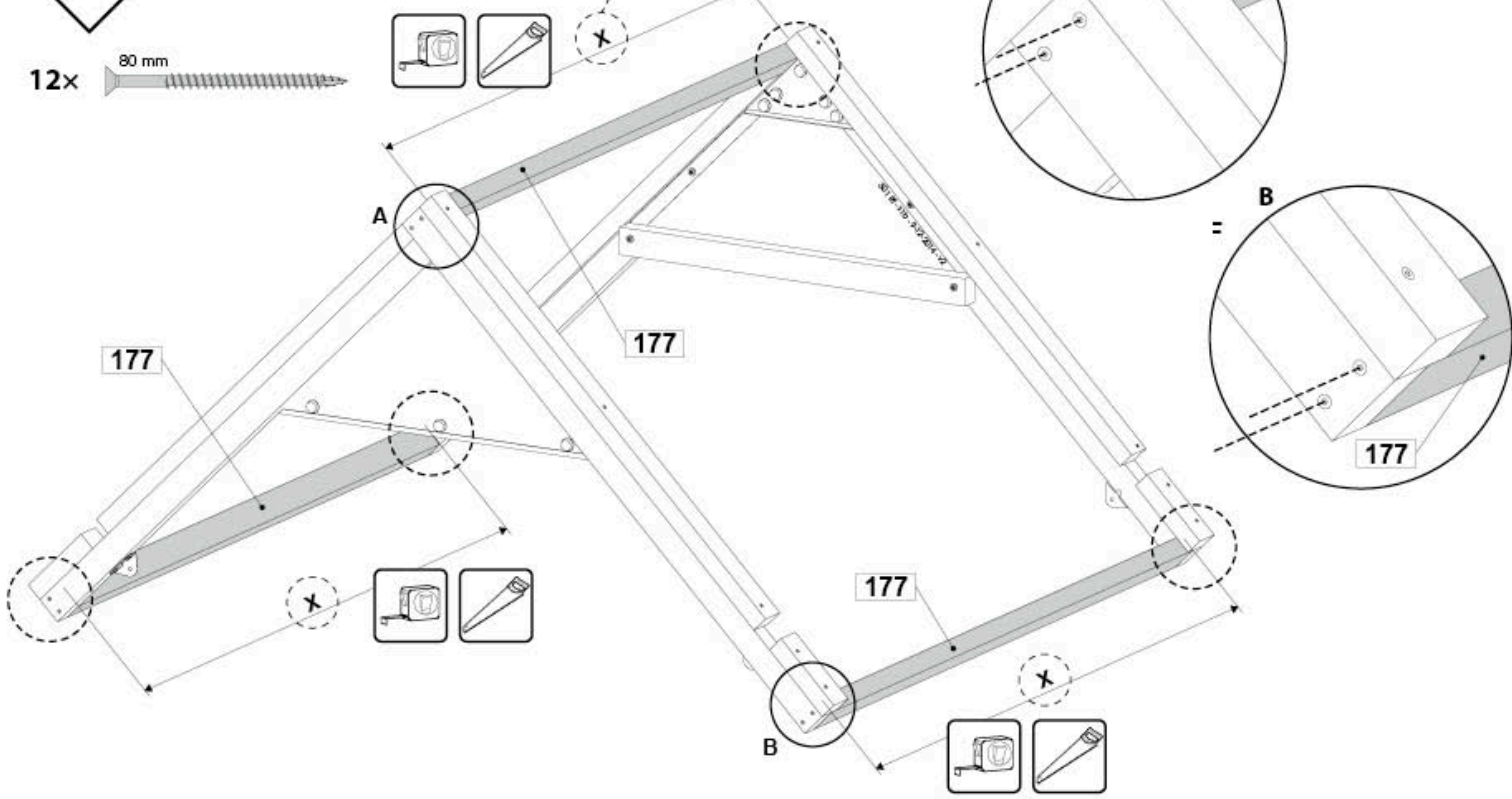


13g



13h

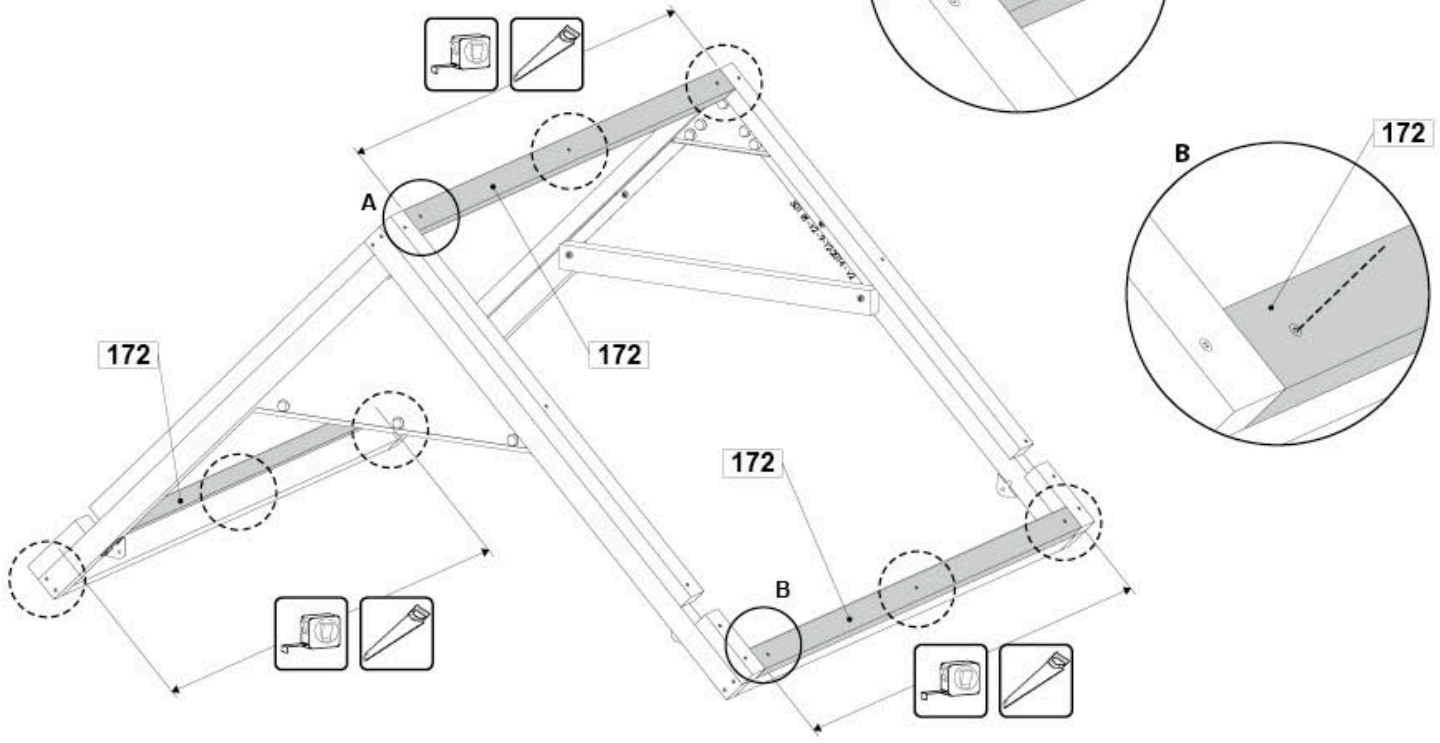
12x 80 mm





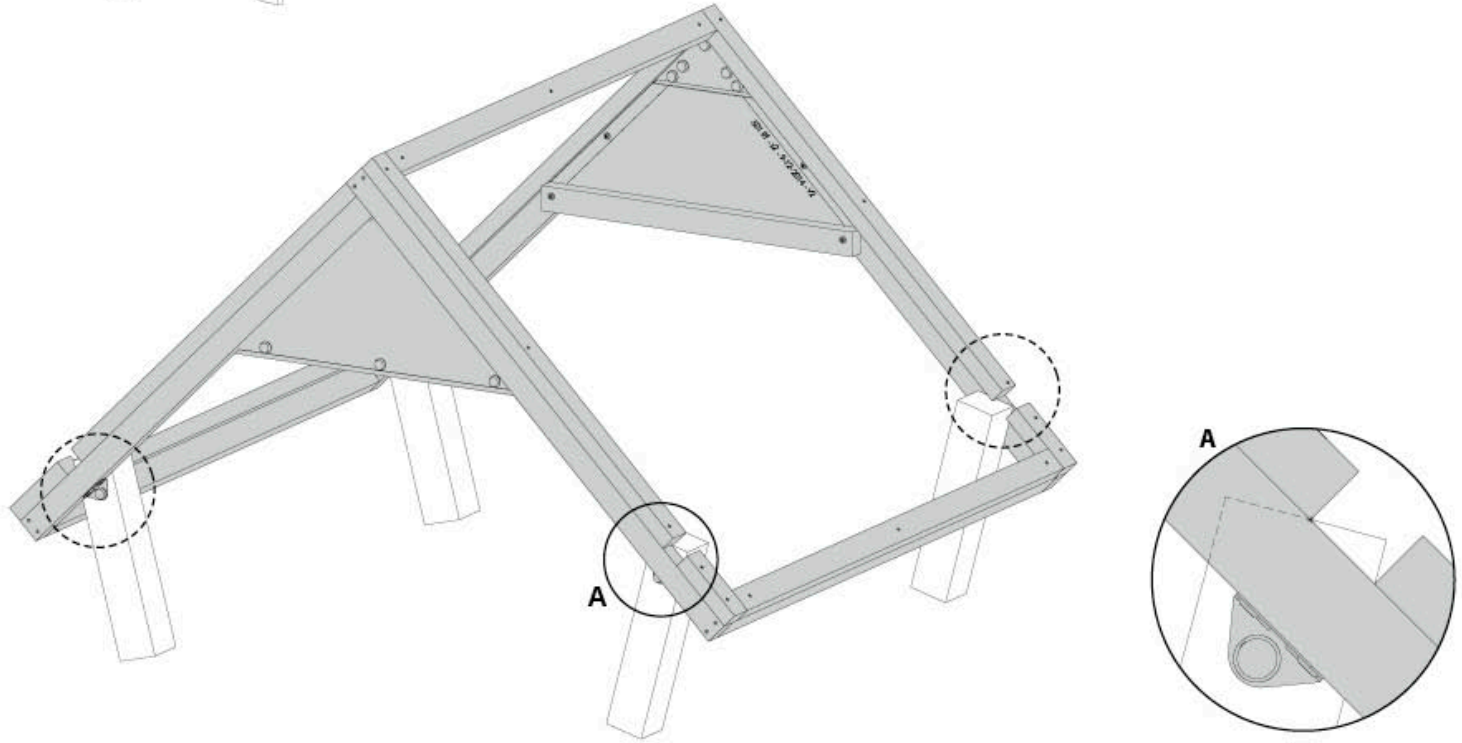
# 13i

9x 80 mm



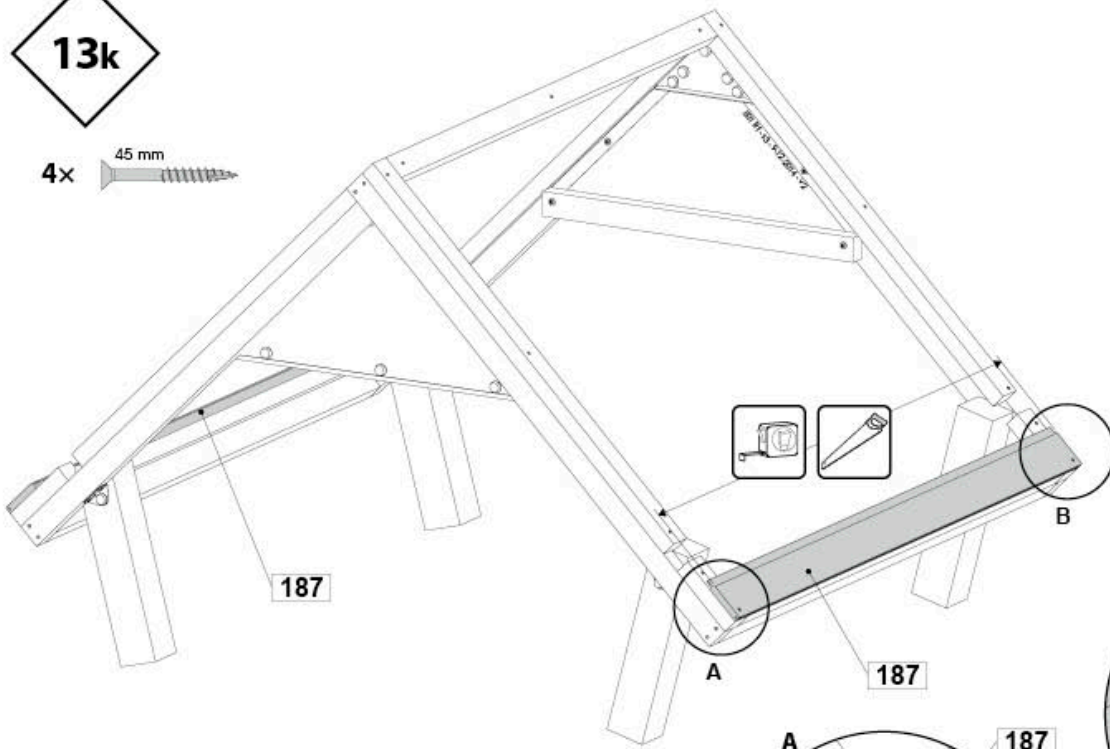
# 13j

4x 46 mm



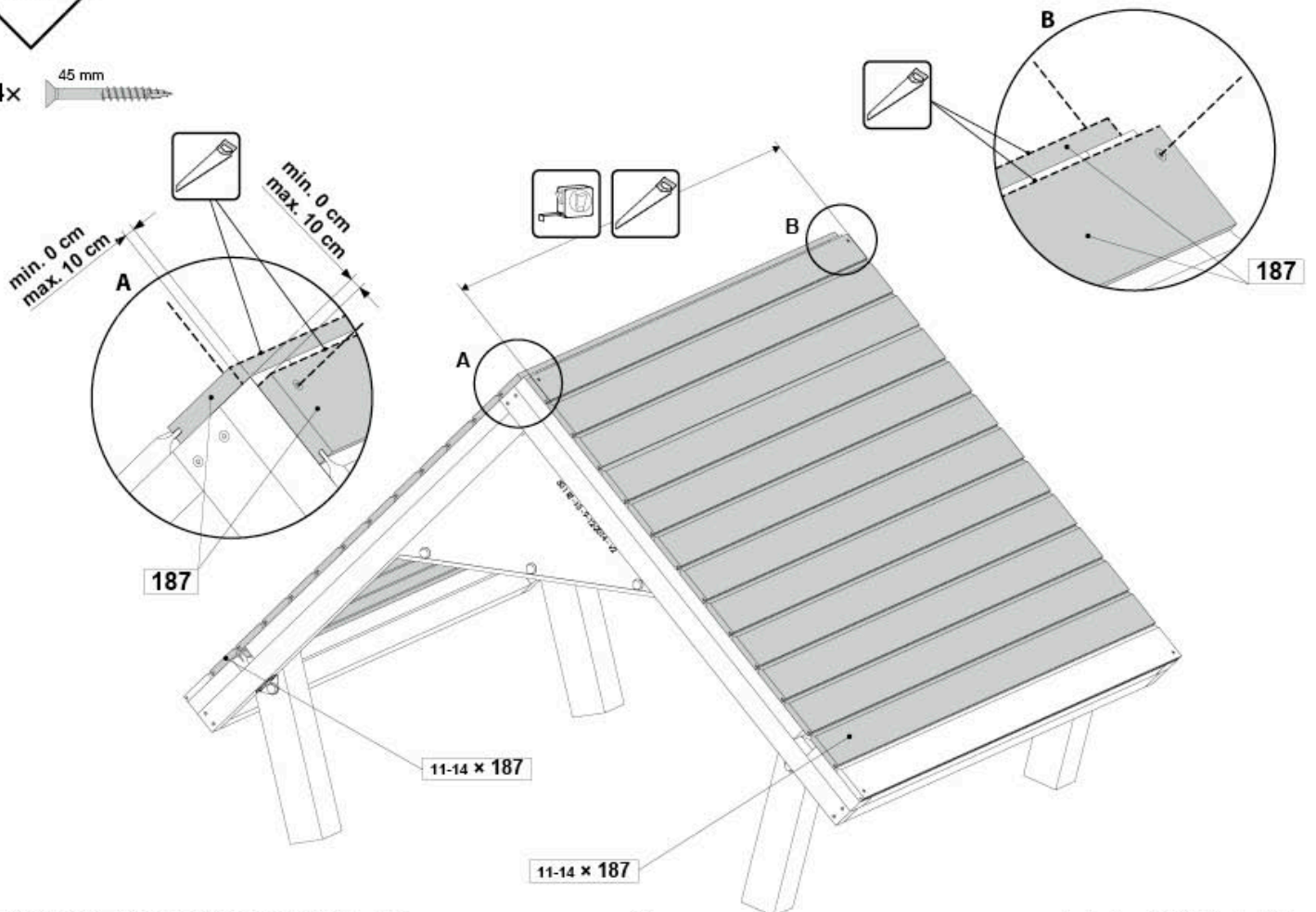
# 13k

4x 45 mm



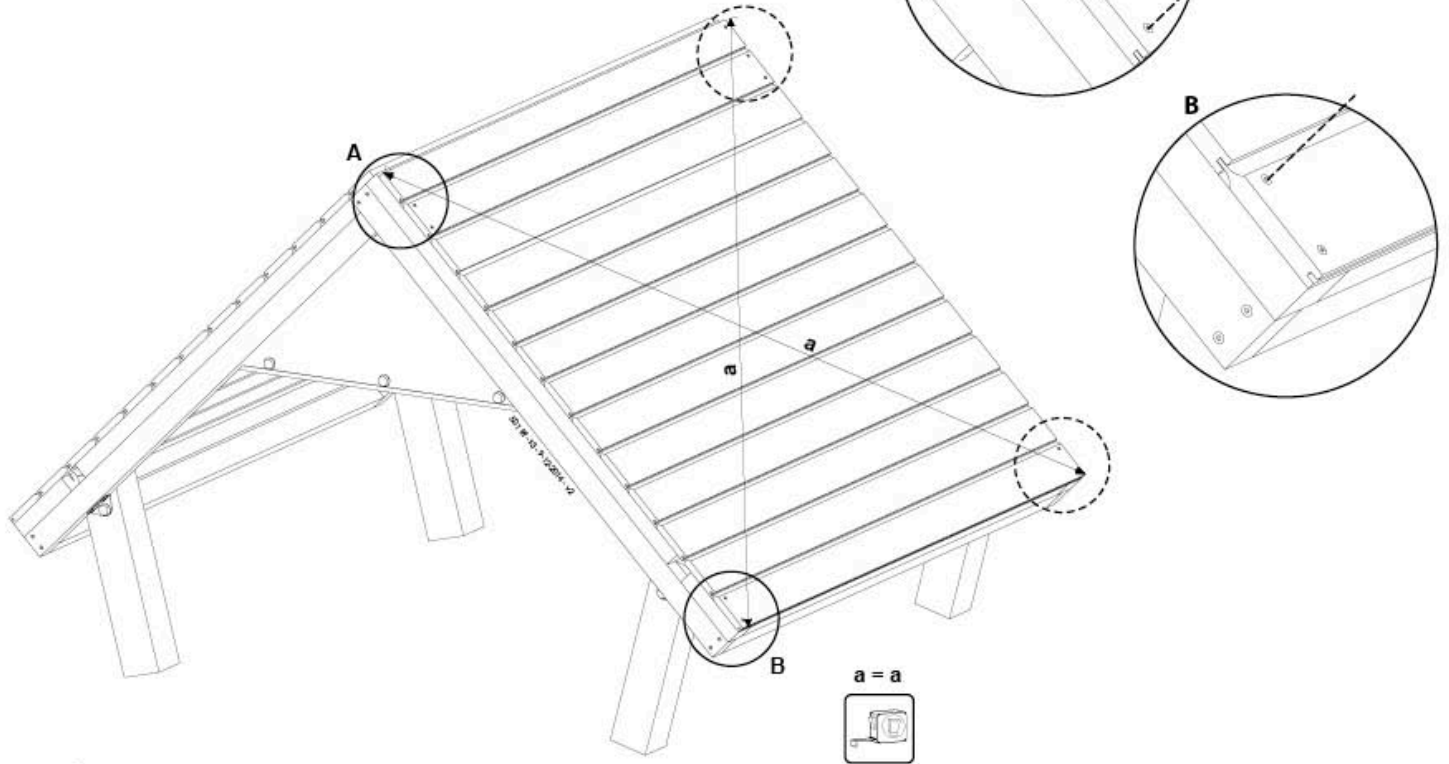
# 13L

4x 45 mm



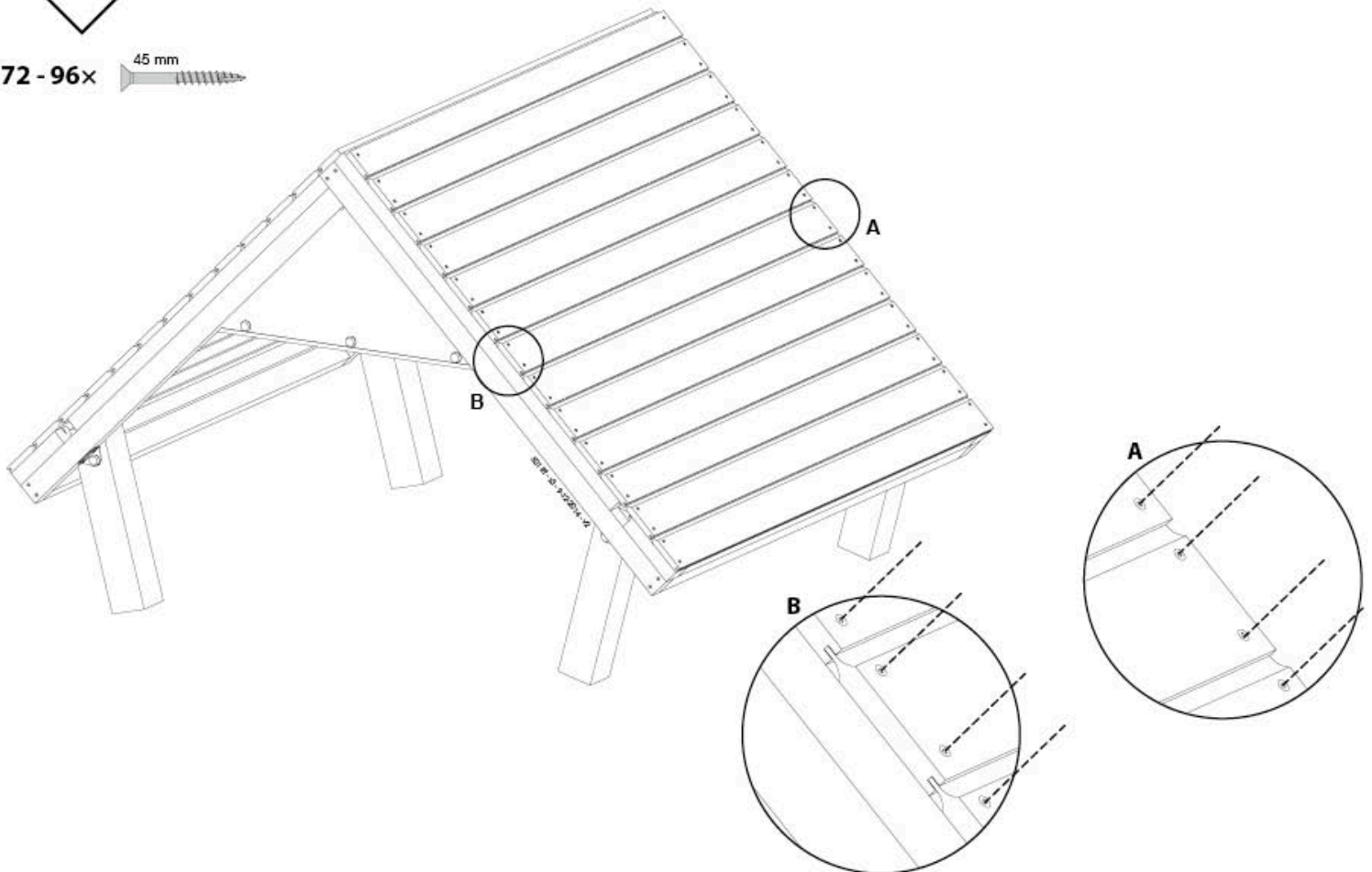
**13m**

12x 45 mm



**13n**

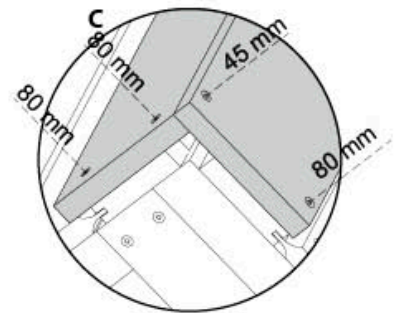
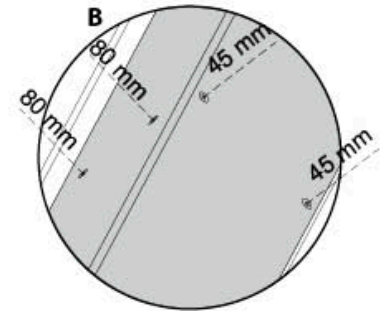
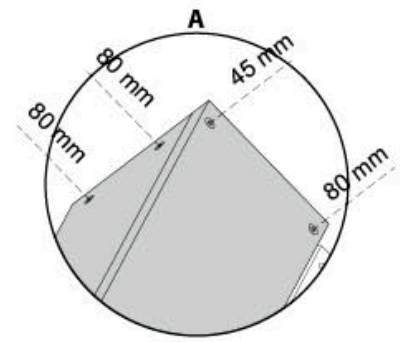
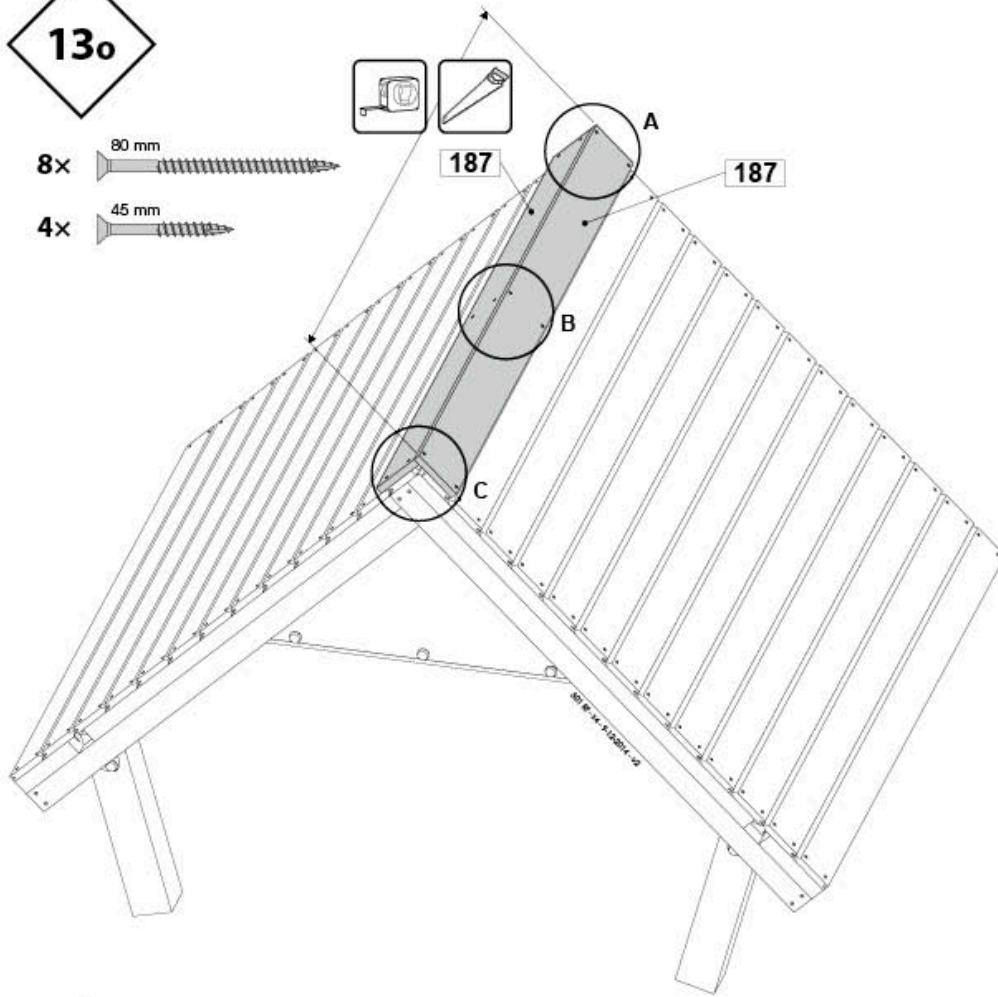
72 - 96x 45 mm



**13o**

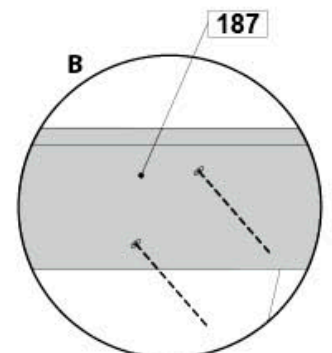
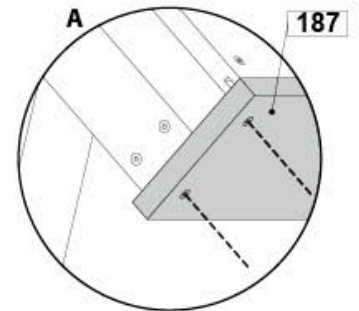
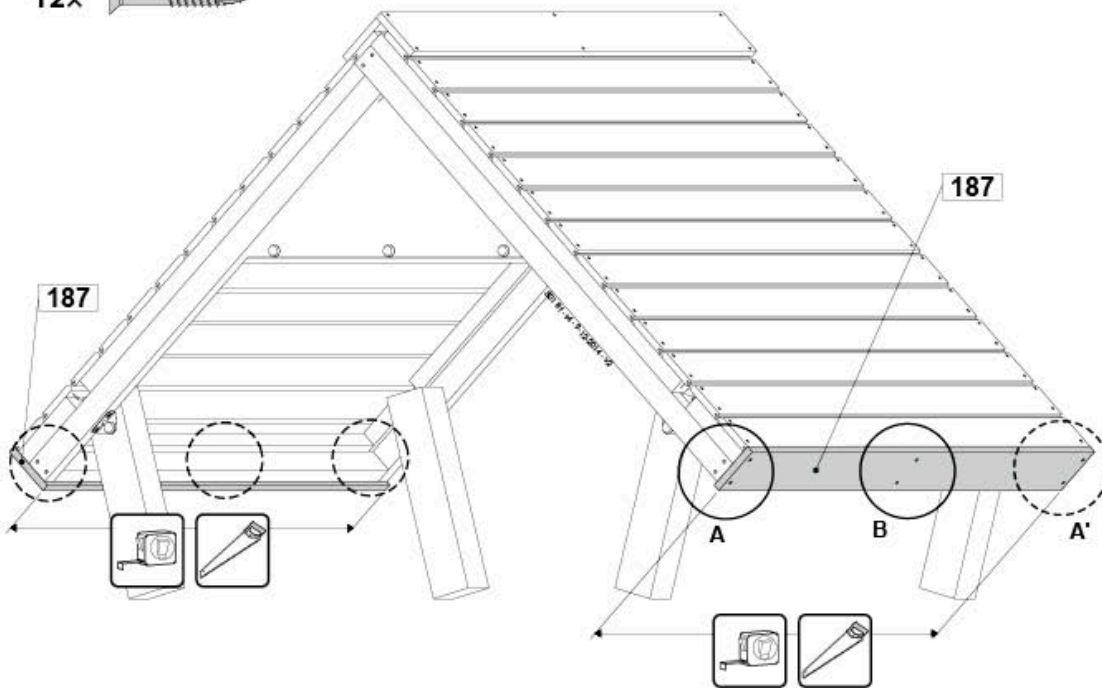
8x 80 mm

4x 45 mm



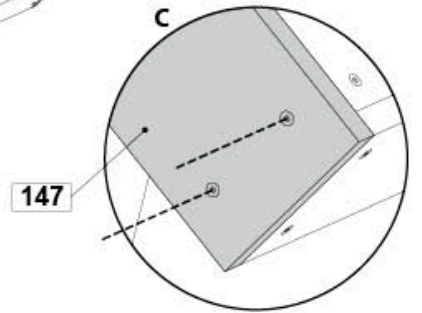
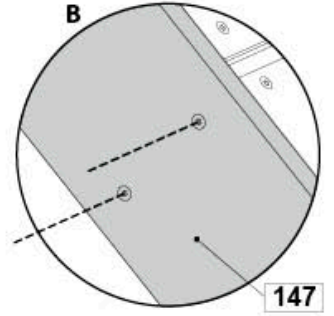
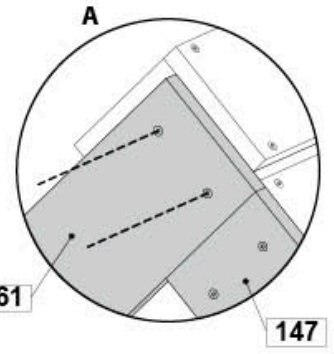
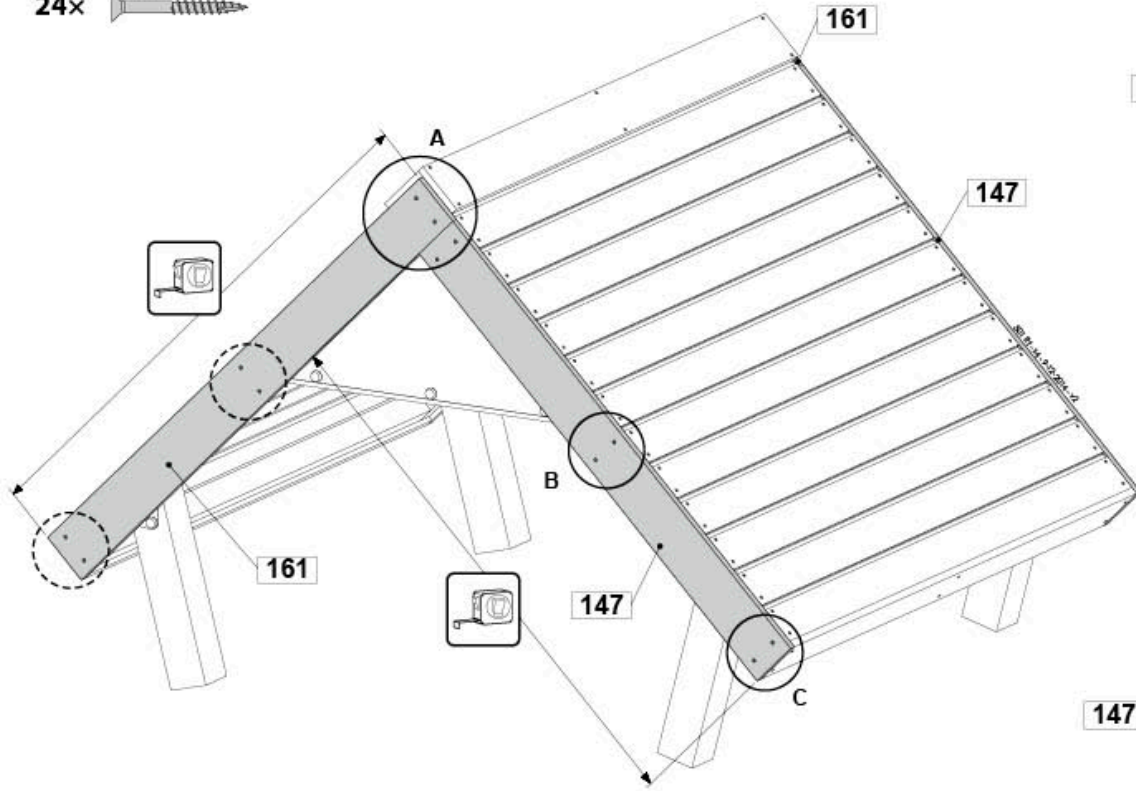
**13p**

12x 45 mm



# 13q

24x 45 mm

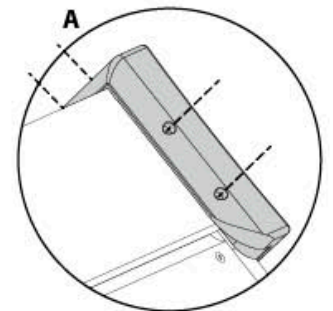
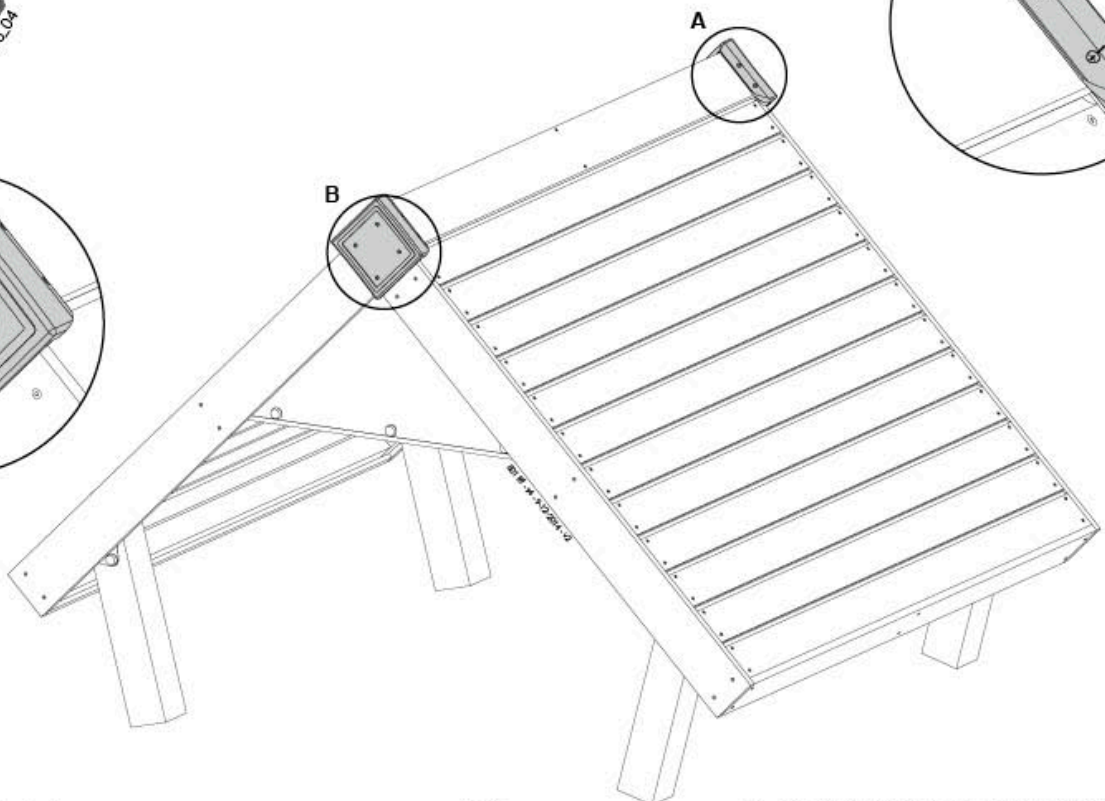
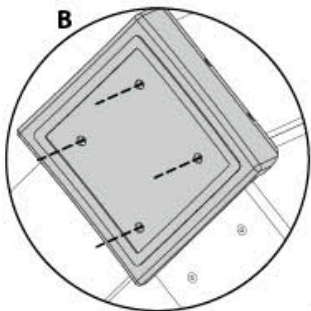



# 13r

16x 45 mm

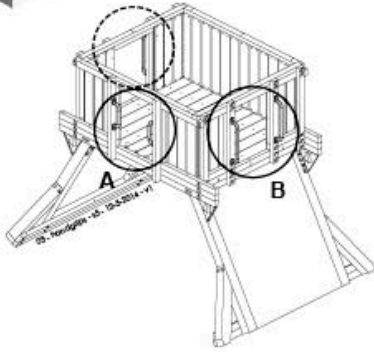


2x

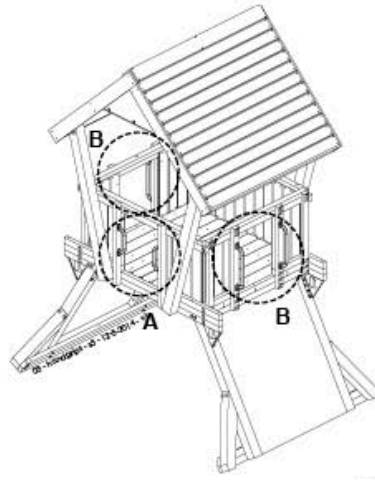


14

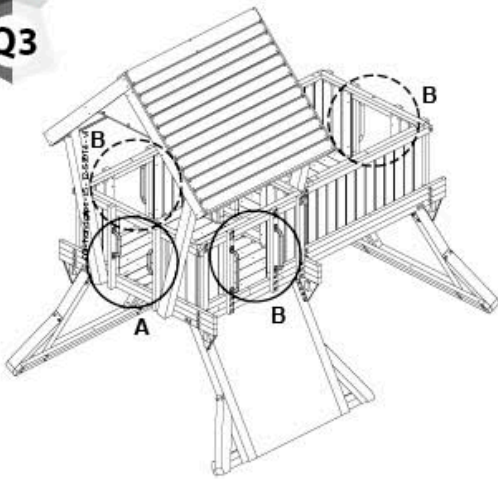
Q1



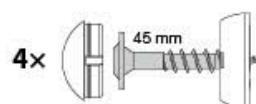
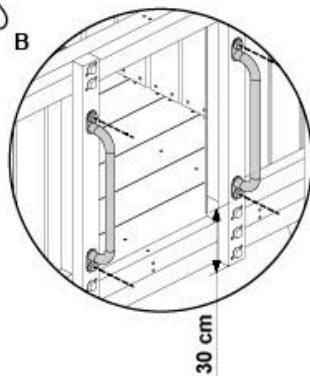
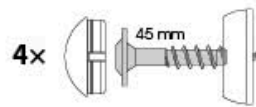
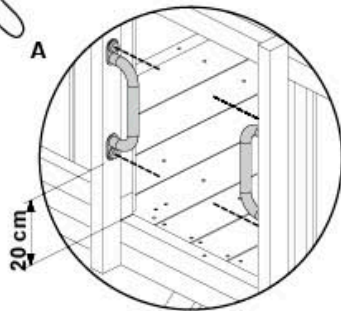
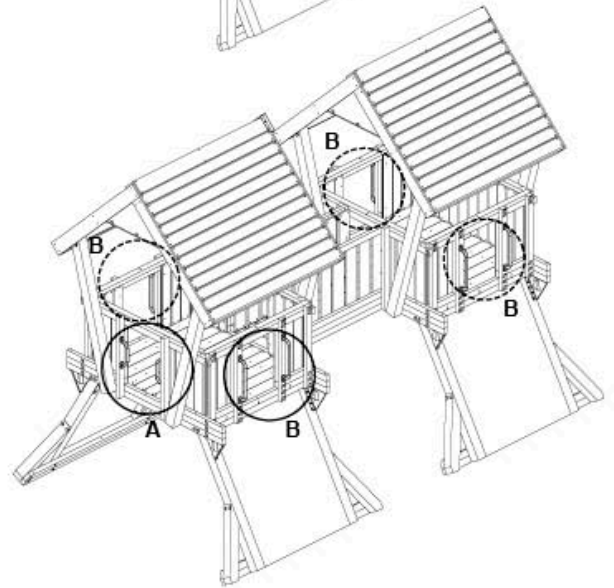
Q2



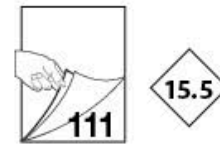
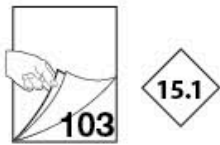
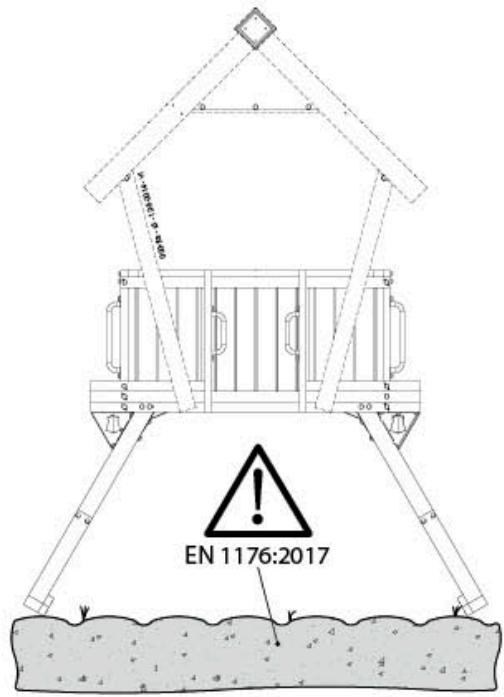
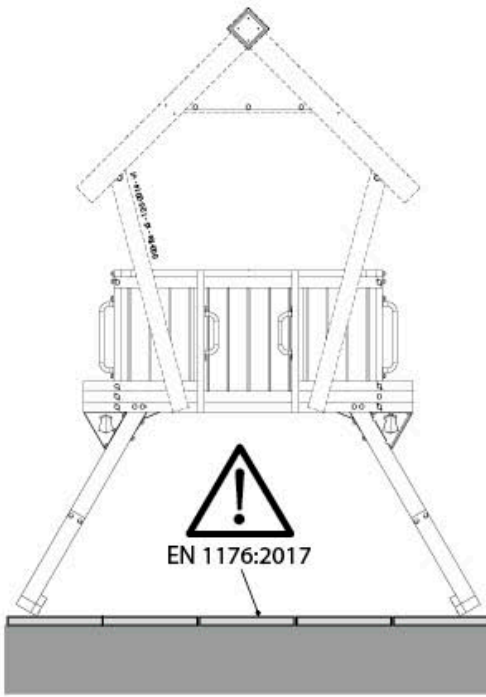
Q3



Q4

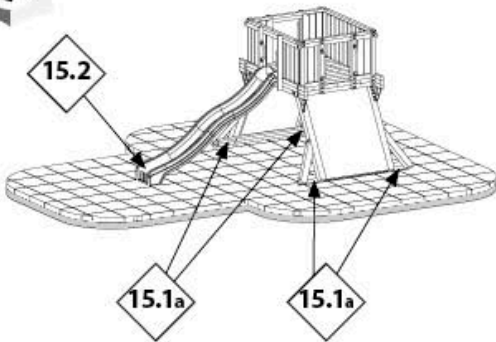


15

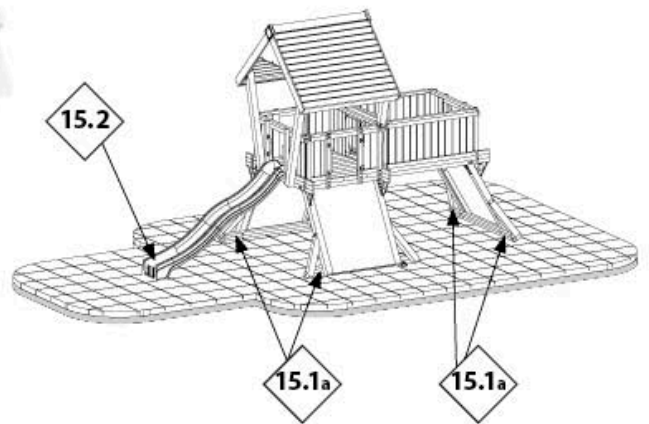


15.1

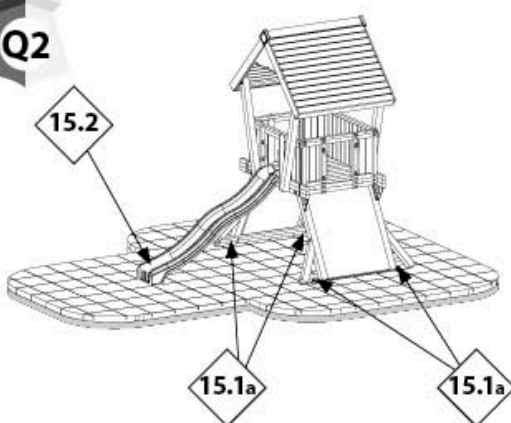
Q1



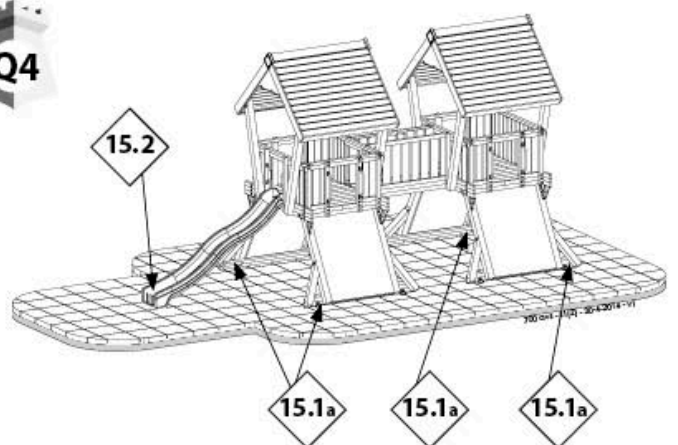
Q3



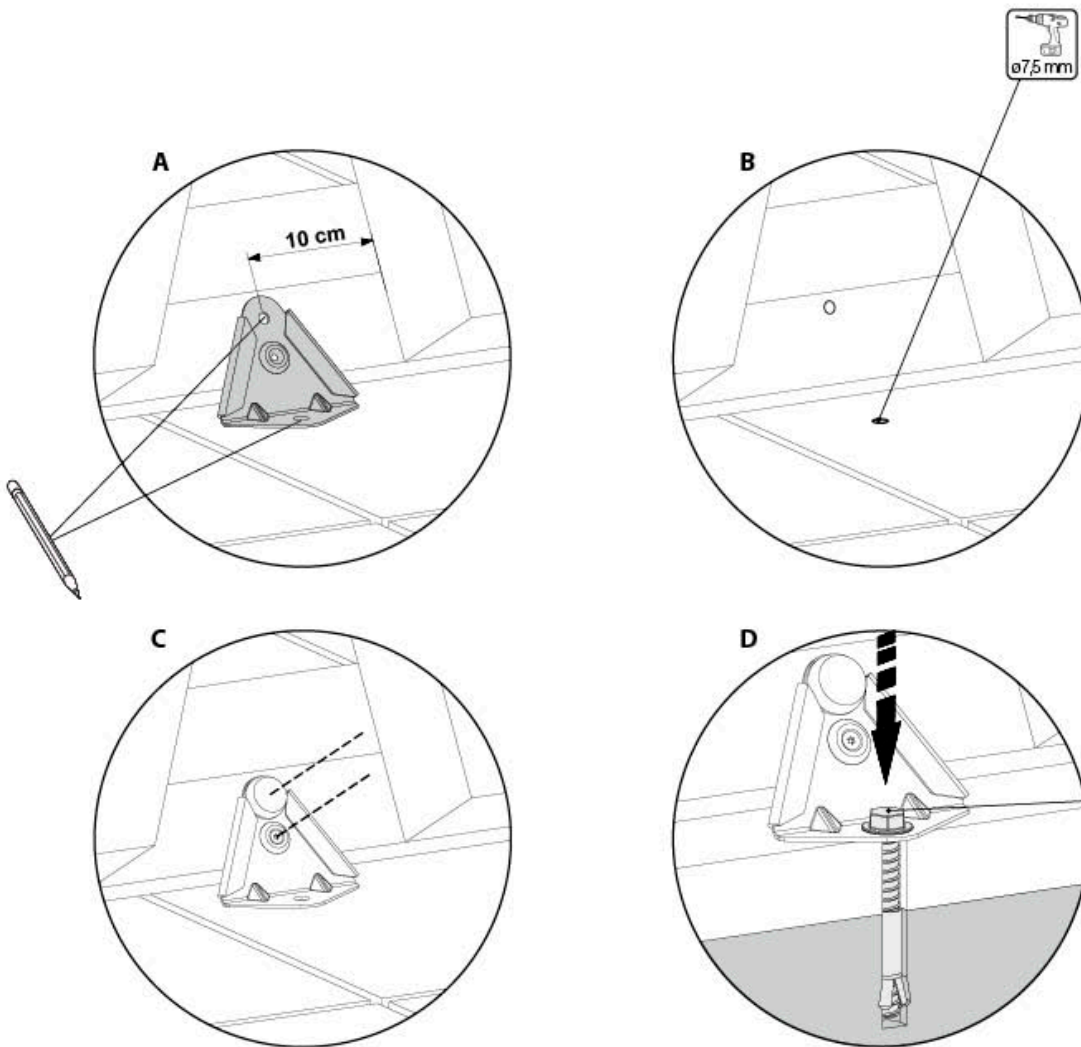
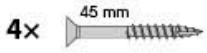
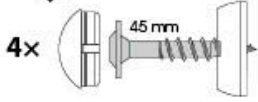
Q2



Q4



**15.1a**

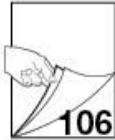




15.2



**Polyethylene  
Slide**



15.3



**Stainless Steel  
Slide**



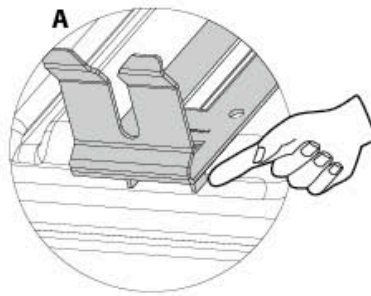
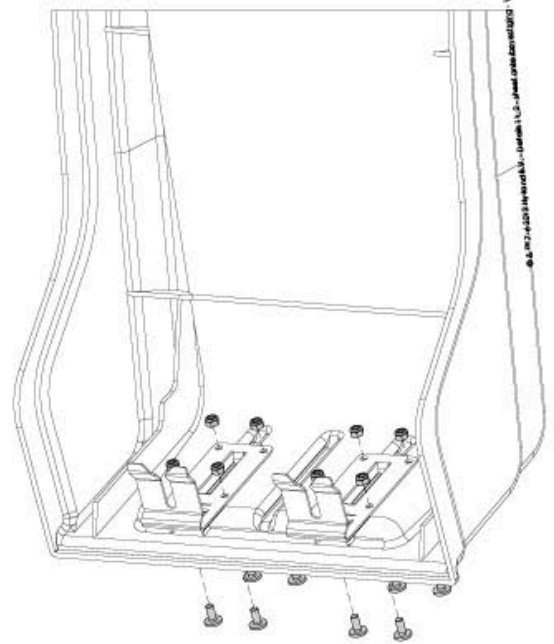
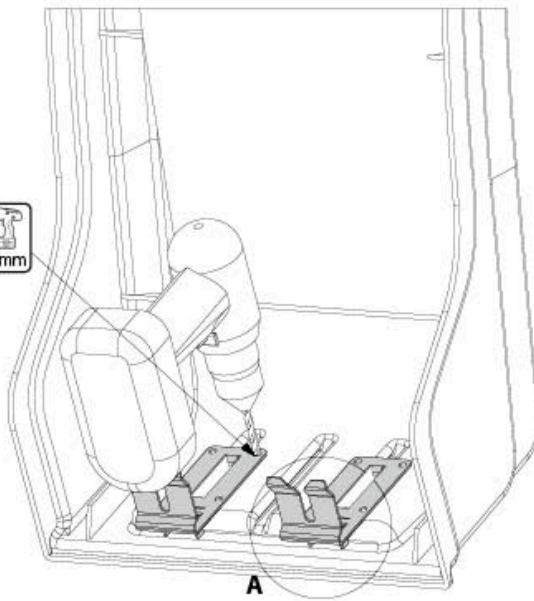
15.4

# 15.3a

8x 18 mm M8

2x 10\_032\_5013\_225\_01

8x  $\varnothing 7.5\text{mm}$

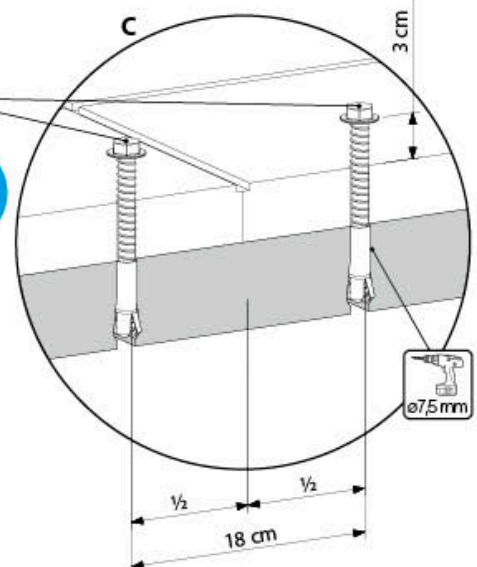
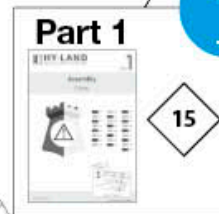
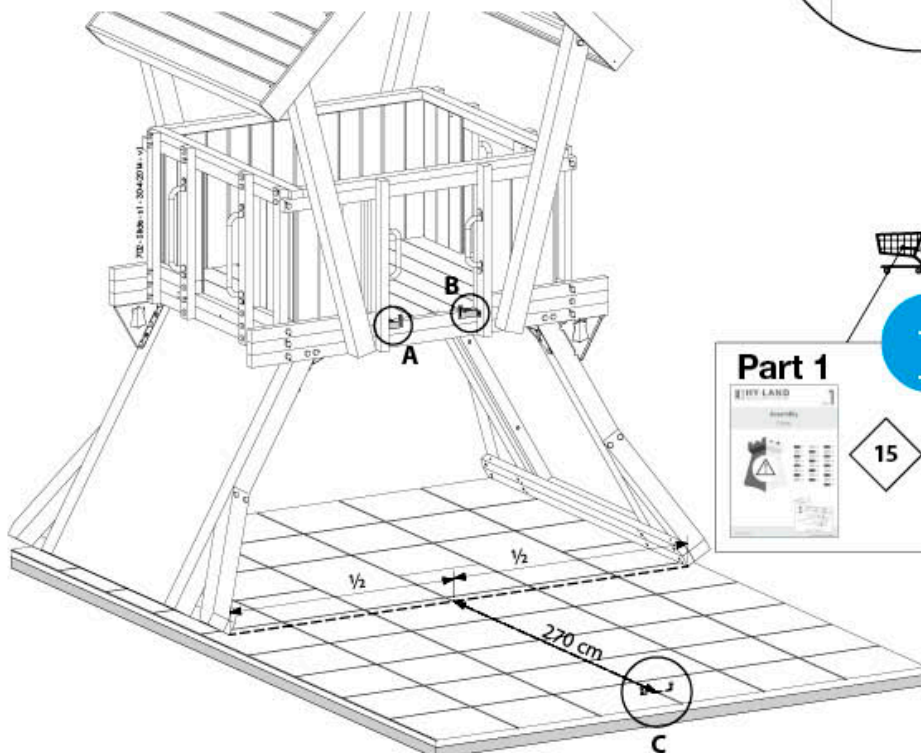
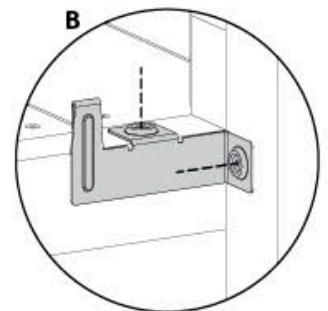
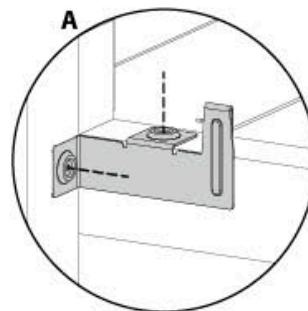


# 15.3b

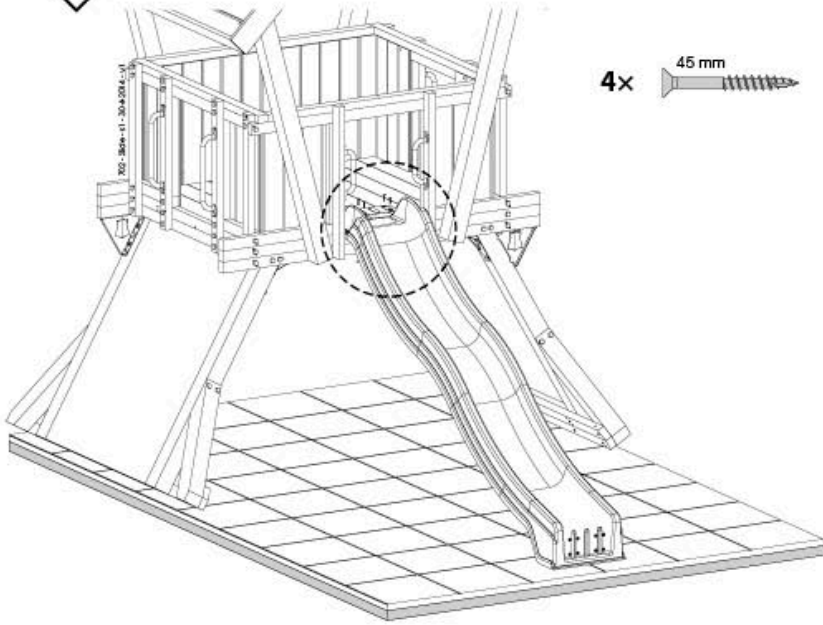
4x 20 mm

1x 10\_030\_5042\_116\_04

1x 10\_030\_5042\_216\_04

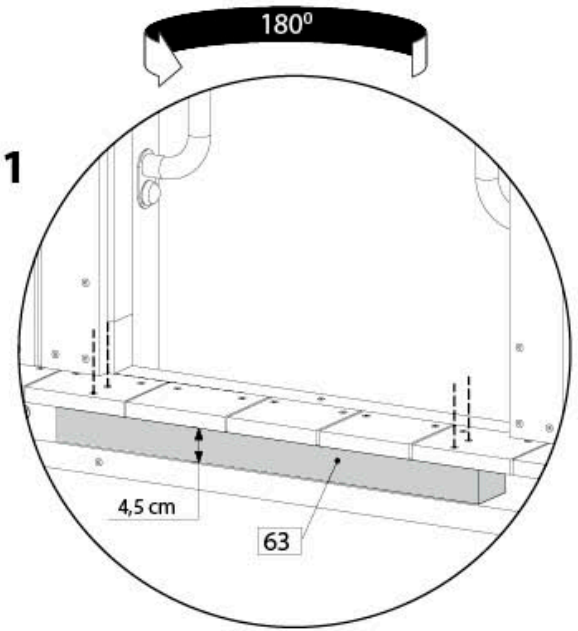


**15.3c**



4x 45 mm

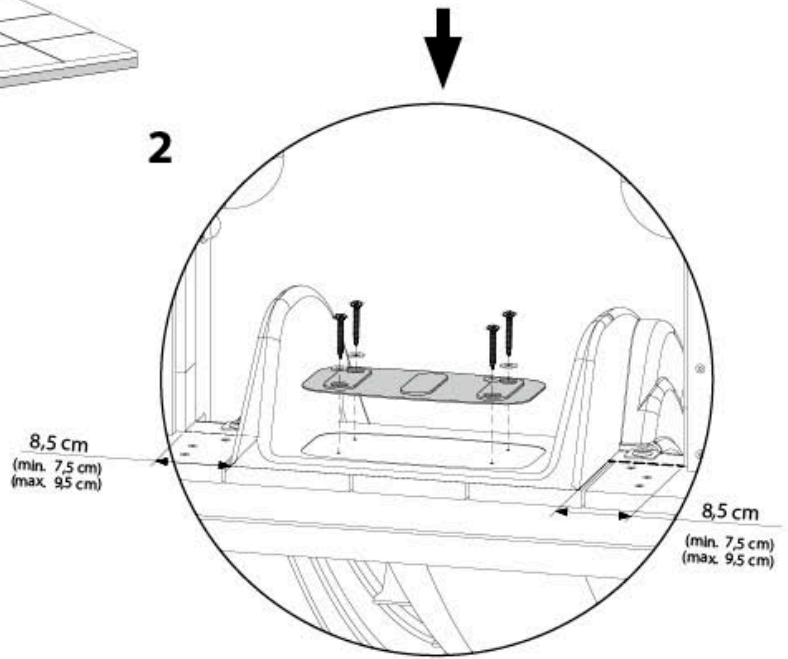
1



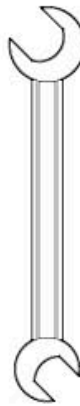
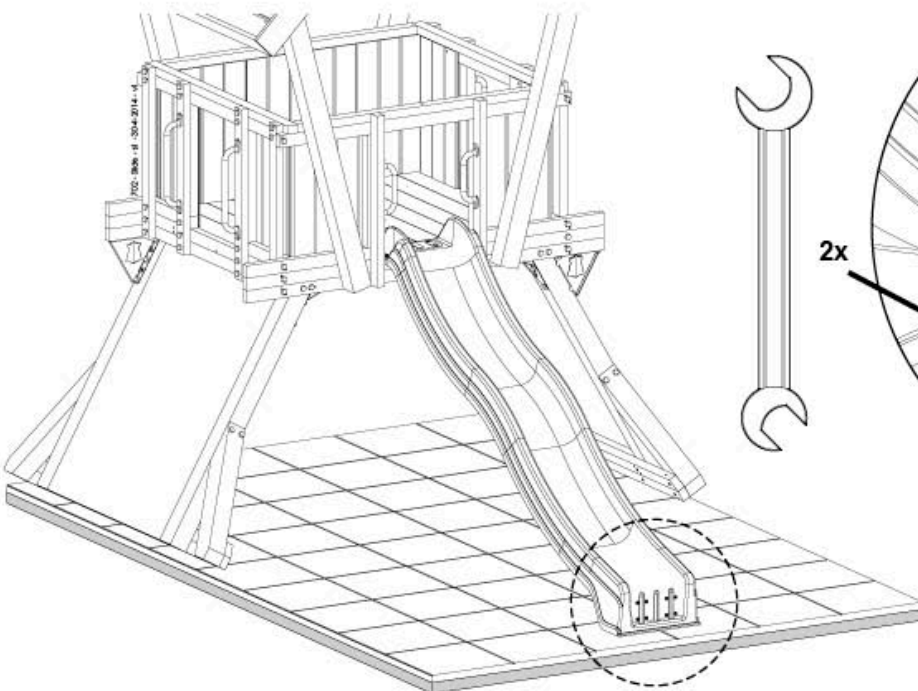
4x 45 mm  $\varnothing 18$  mm

1x 10\_026\_5041\_215\_01

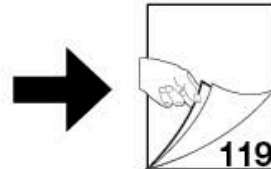
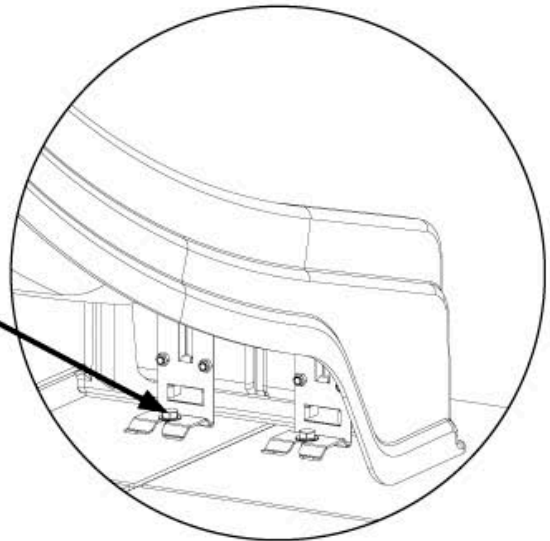
2



**15.3d**

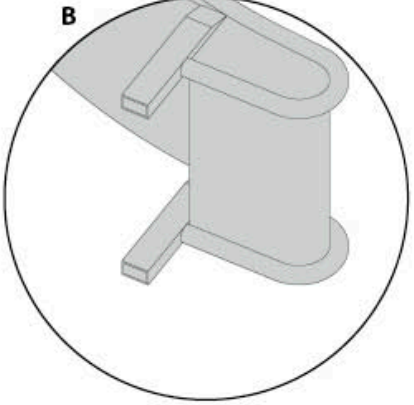
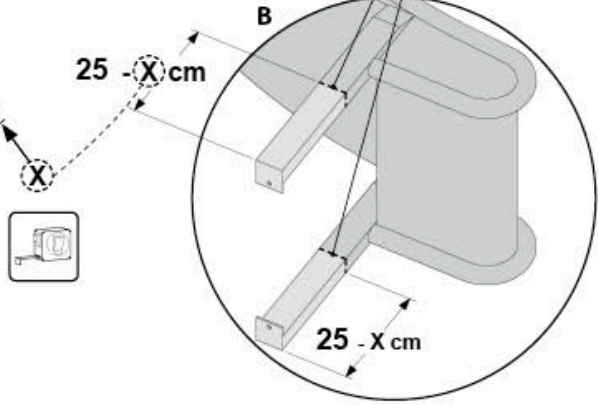
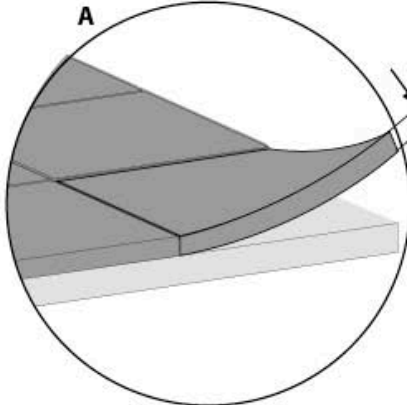
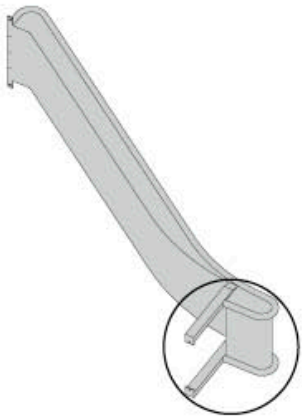
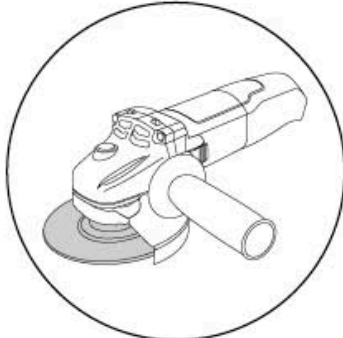
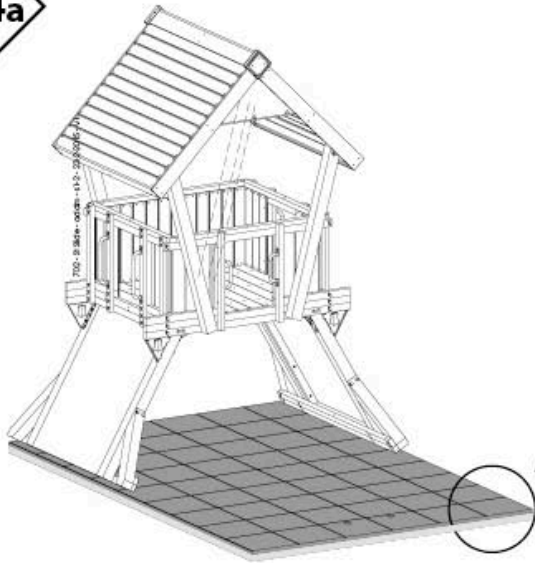


2x

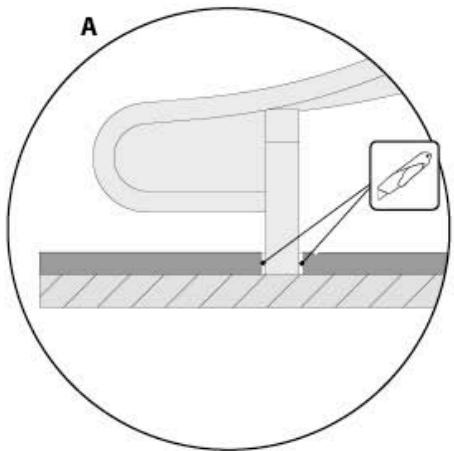
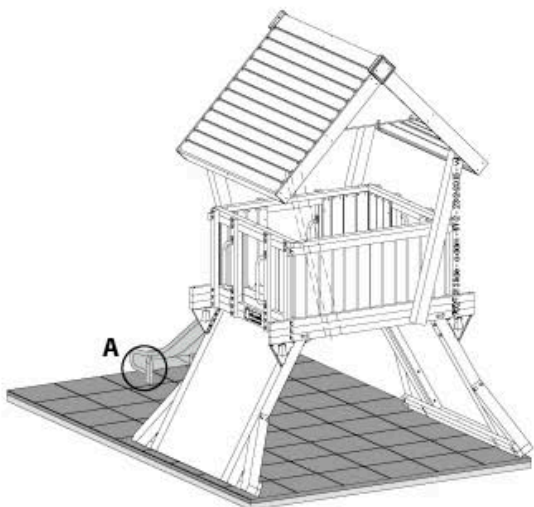


**16**

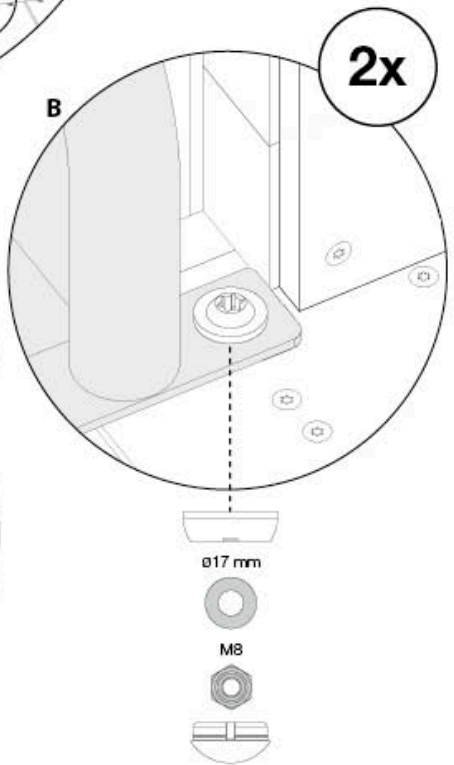
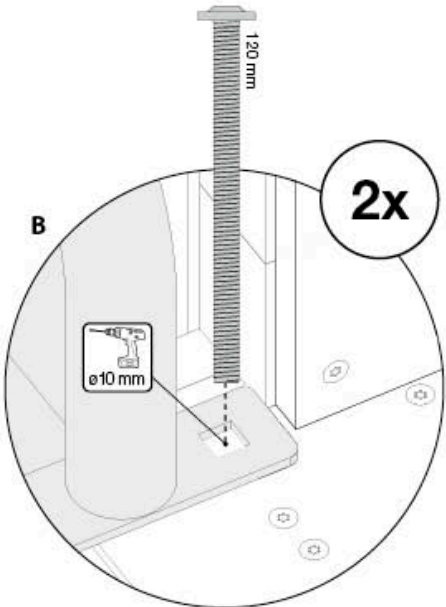
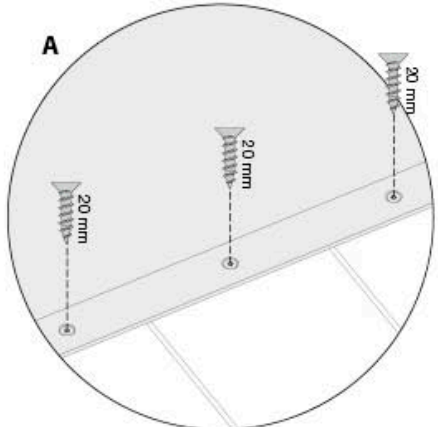
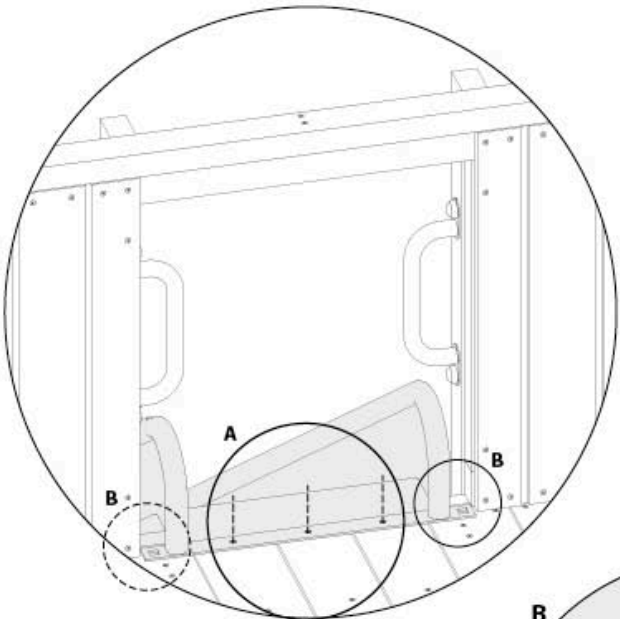
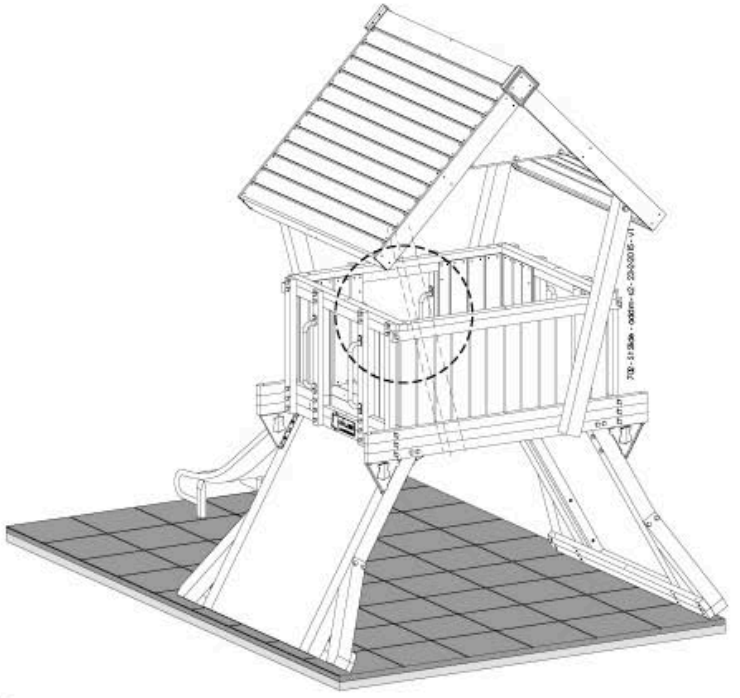
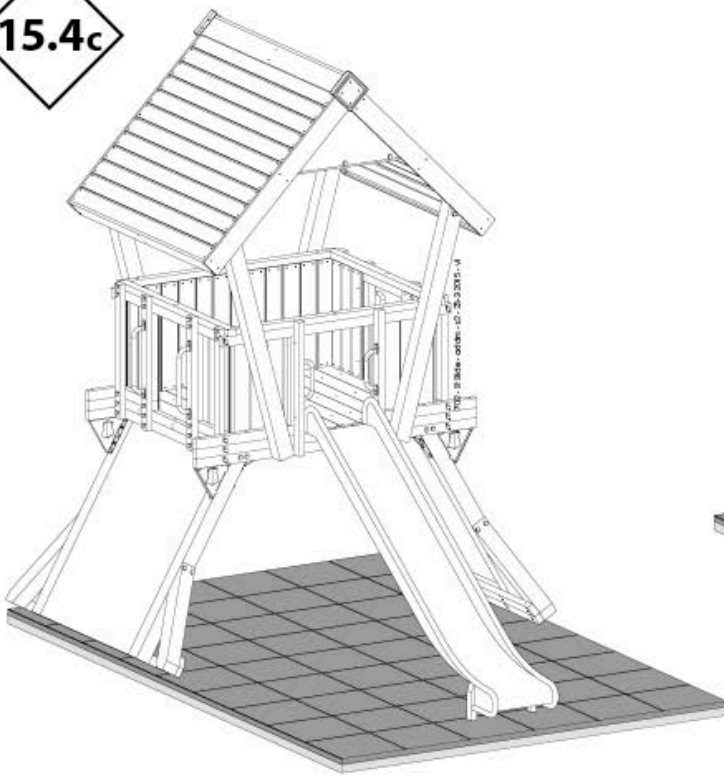
15.4a



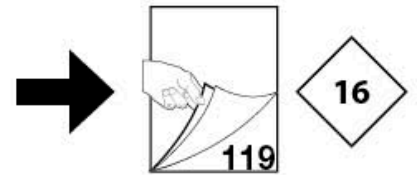
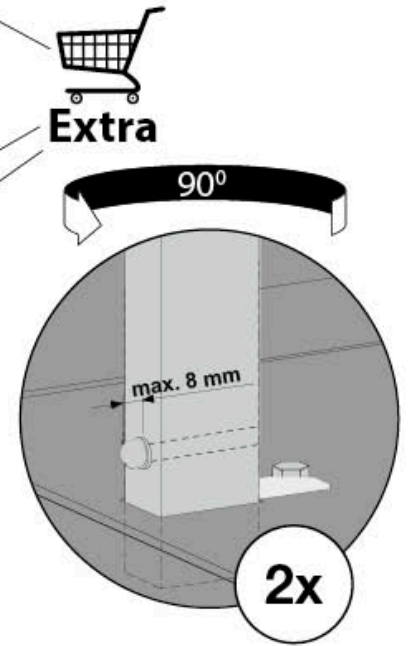
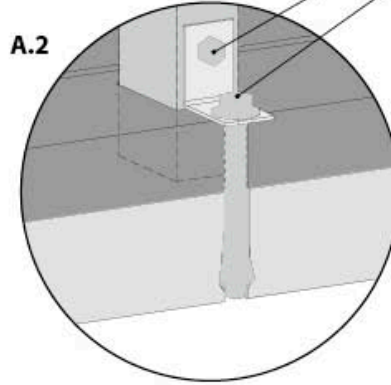
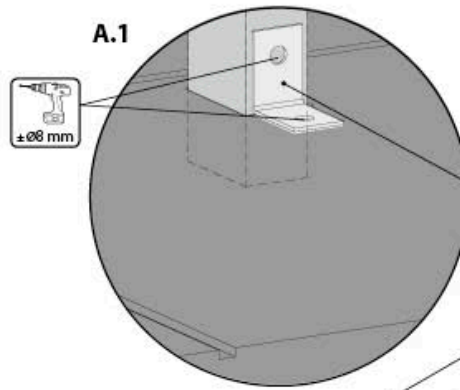
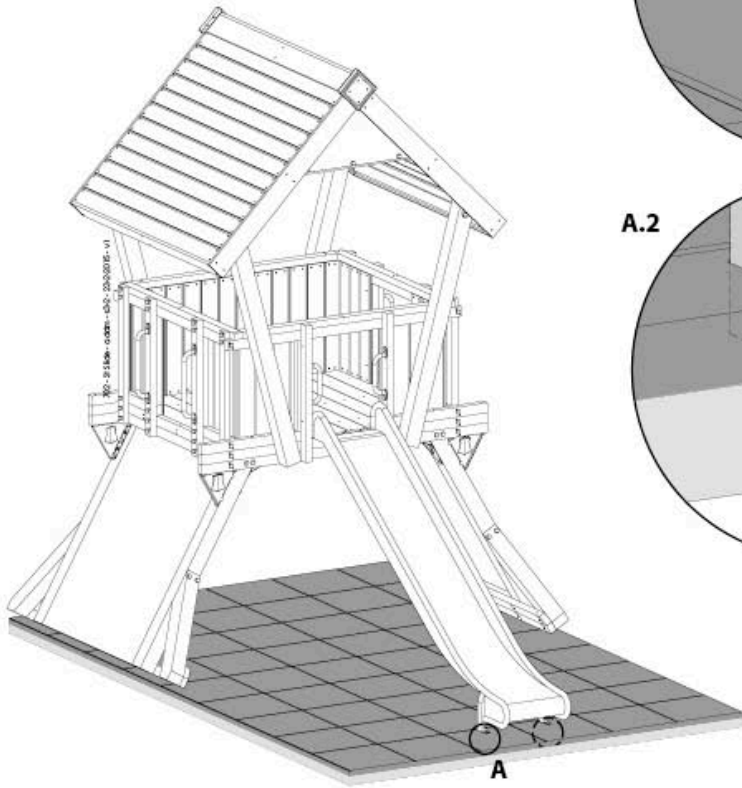
15.4b



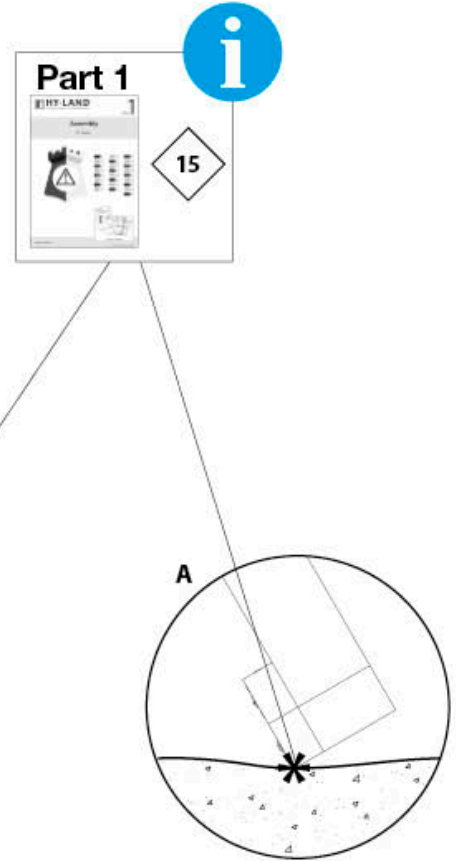
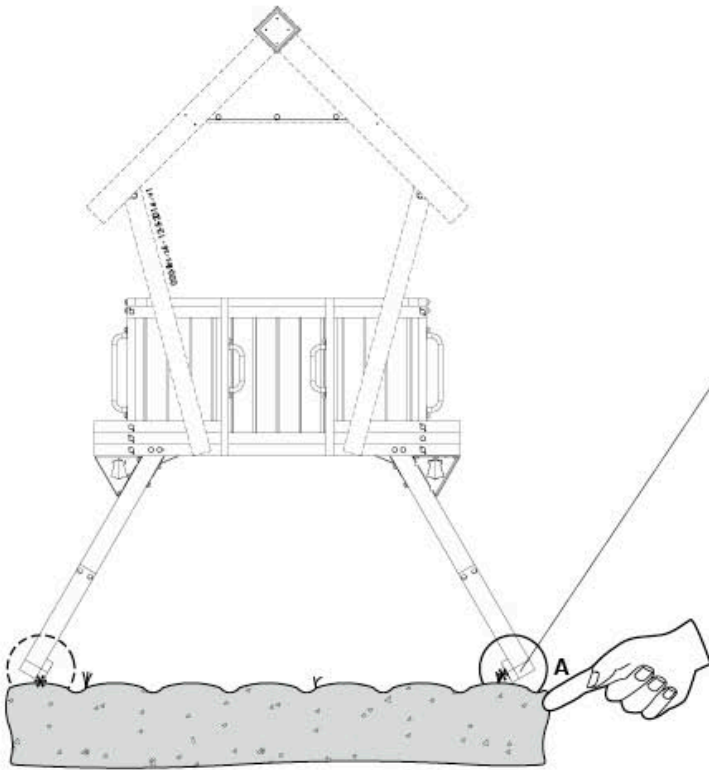
**15.4c**



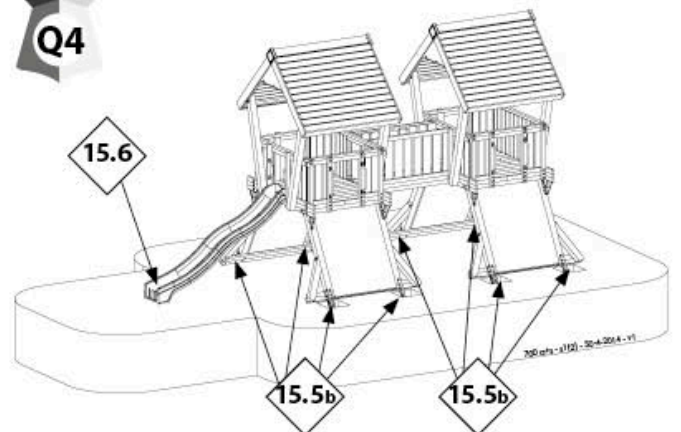
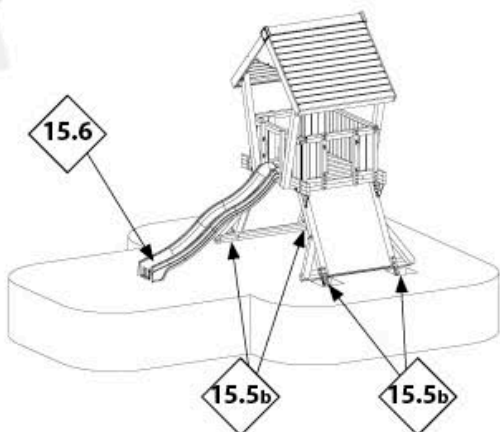
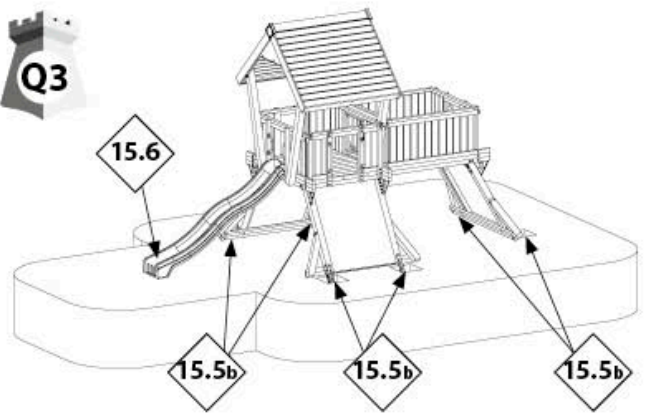
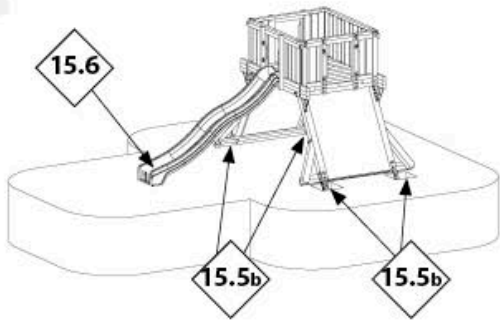
15.4d



15.5



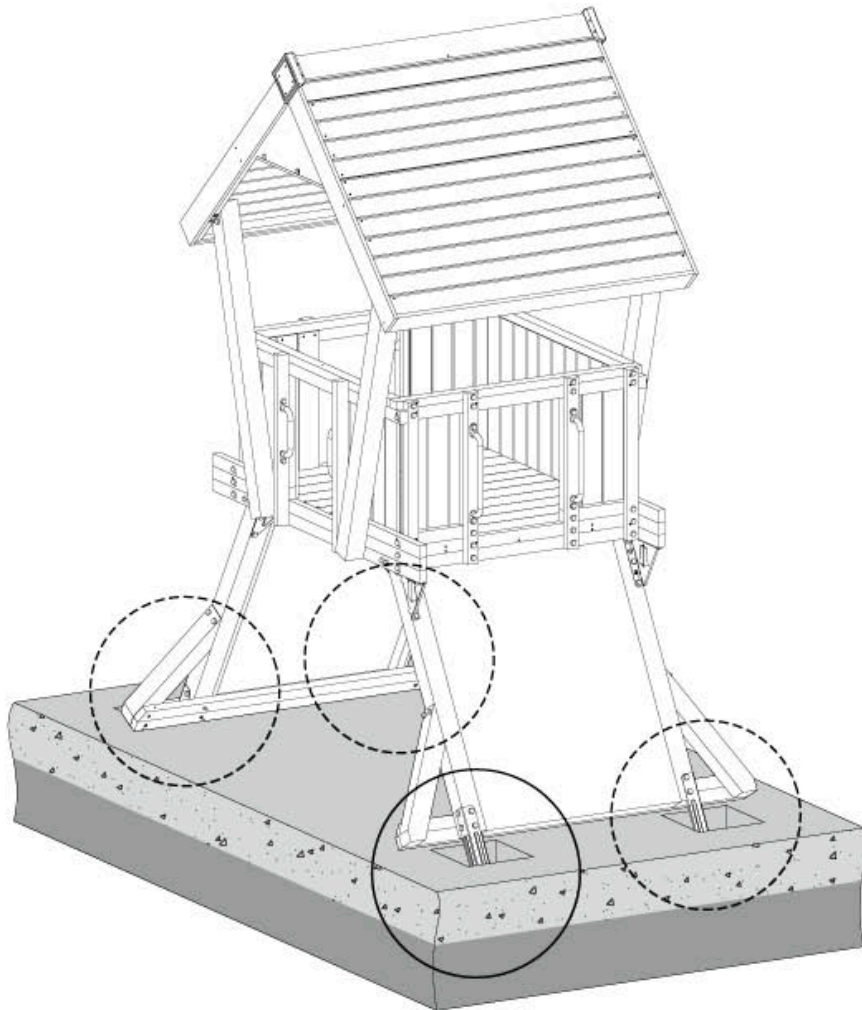
15.5a



15.5b



10\_460\_0619\_103\_26

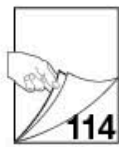




15.6



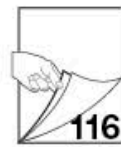
**Polyethylene  
Slide**



15.7

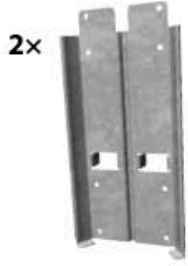


**Stainless Steel  
Slide**

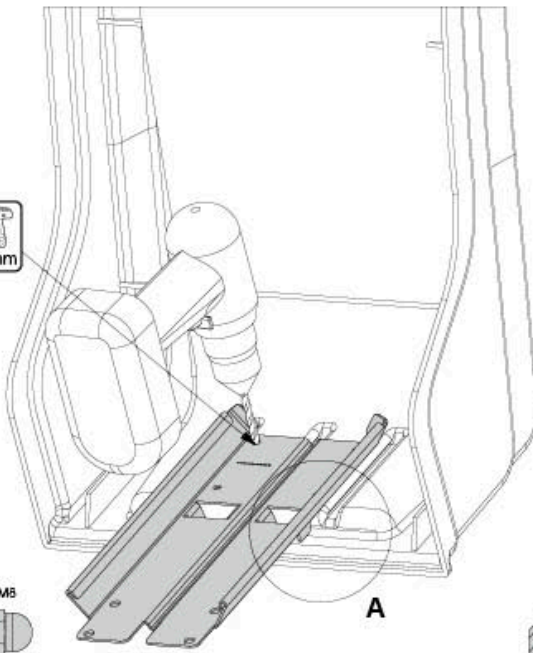


15.8

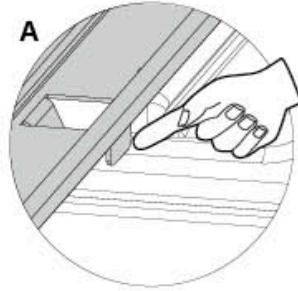
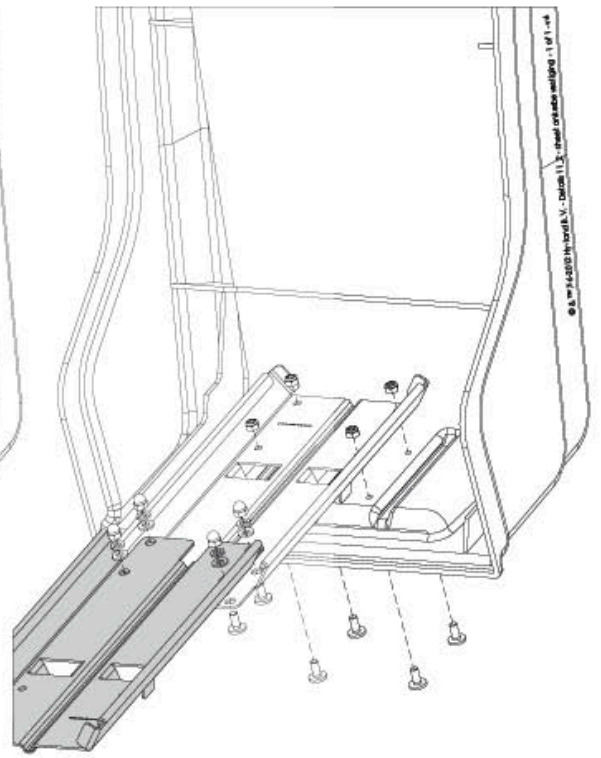
# 15.7a



10\_032\_5012\_425\_01



A



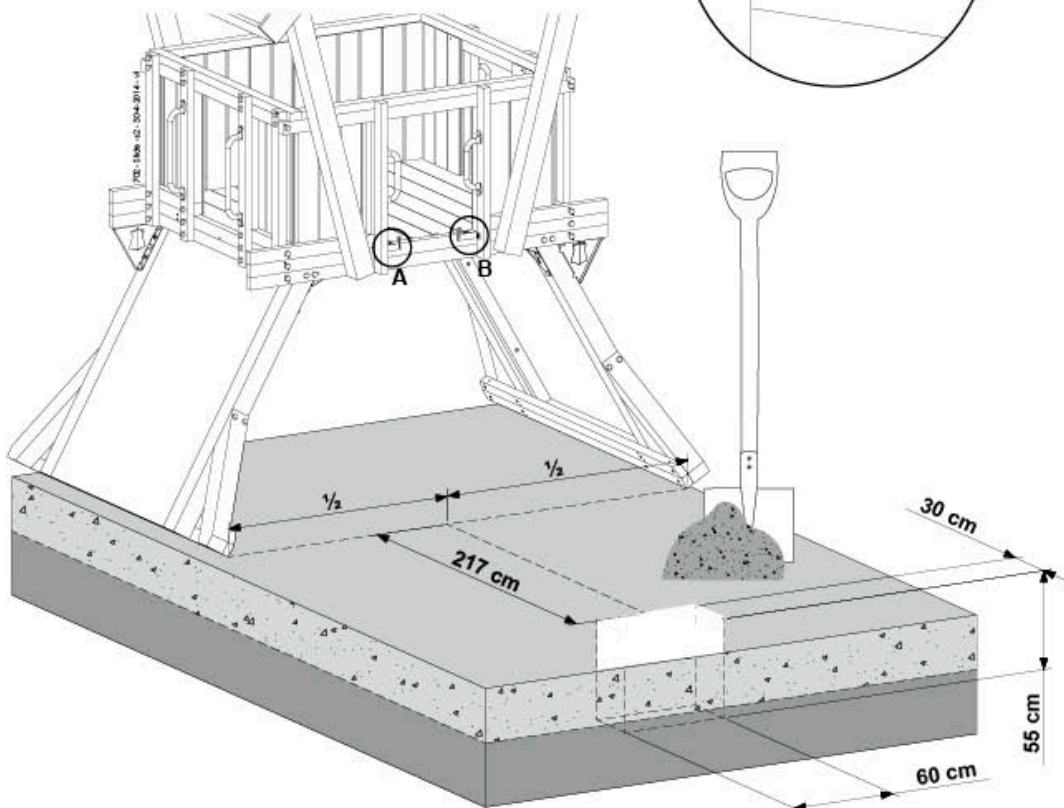
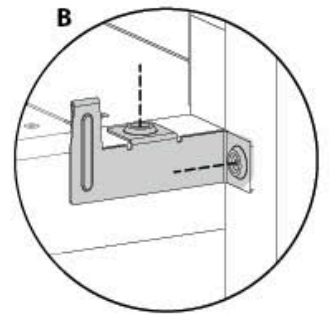
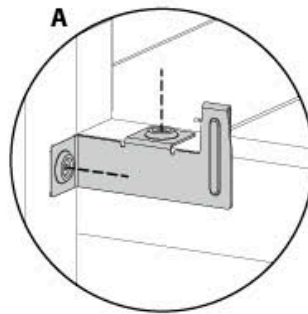
# 15.7b



10\_030\_5042\_116\_04

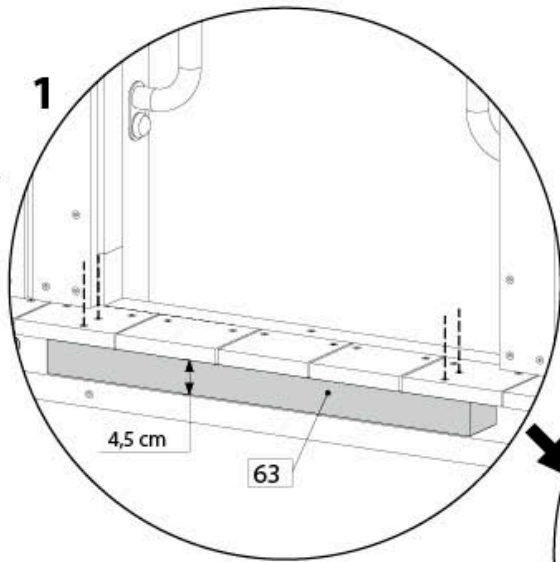


10\_030\_5042\_216\_04



**15.7c**

4x 45 mm

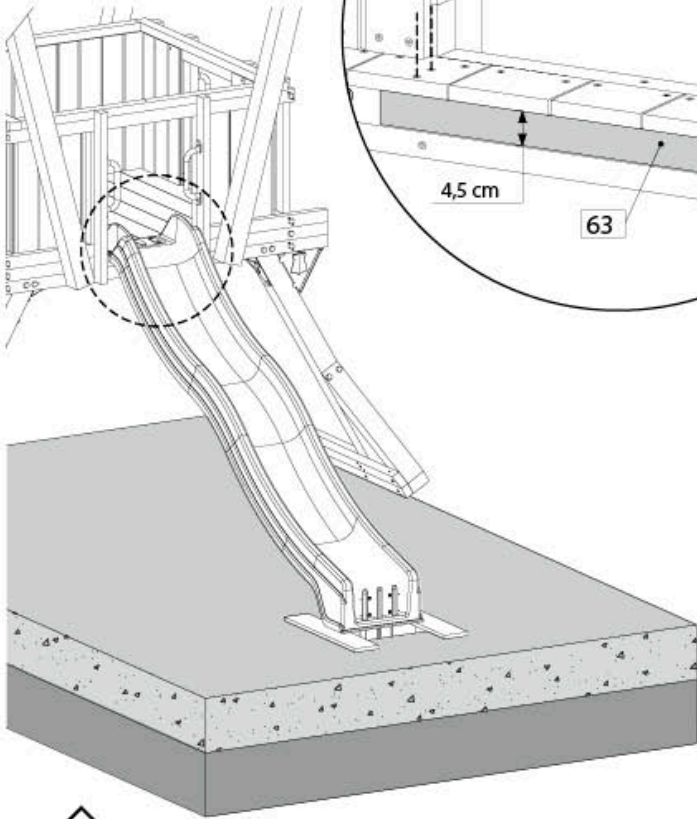


4x 45 mm  $\varnothing 18$  mm



1x

10\_026\_5041\_215\_01



**2**

8,5 cm  
(min. 7,5 cm)  
(max. 9,5 cm)

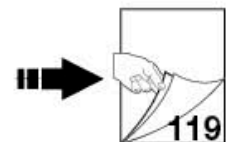
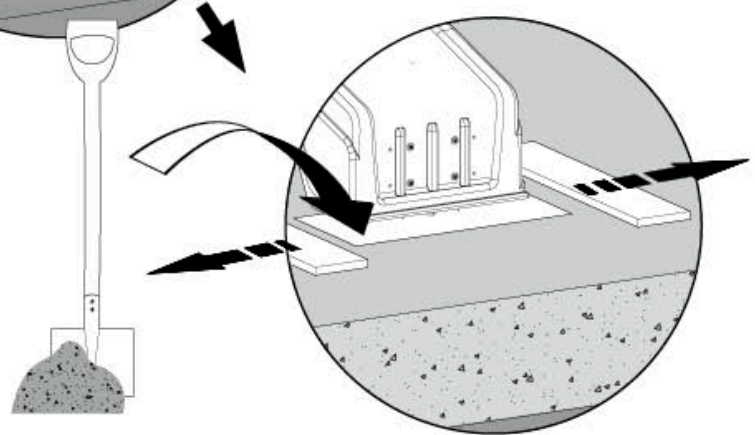
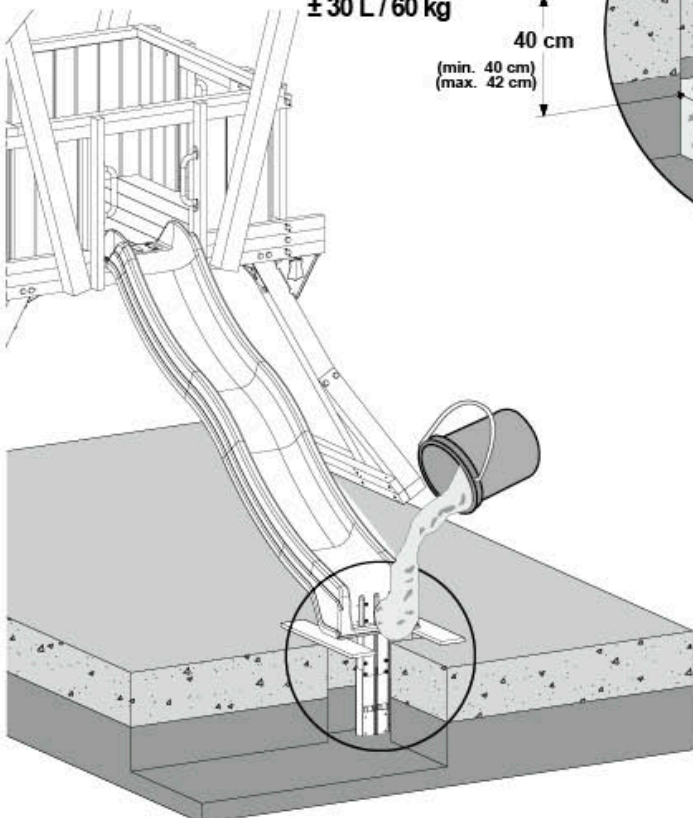
8,5 cm  
(min. 7,5 cm)  
(max. 9,5 cm)

**15.7d**



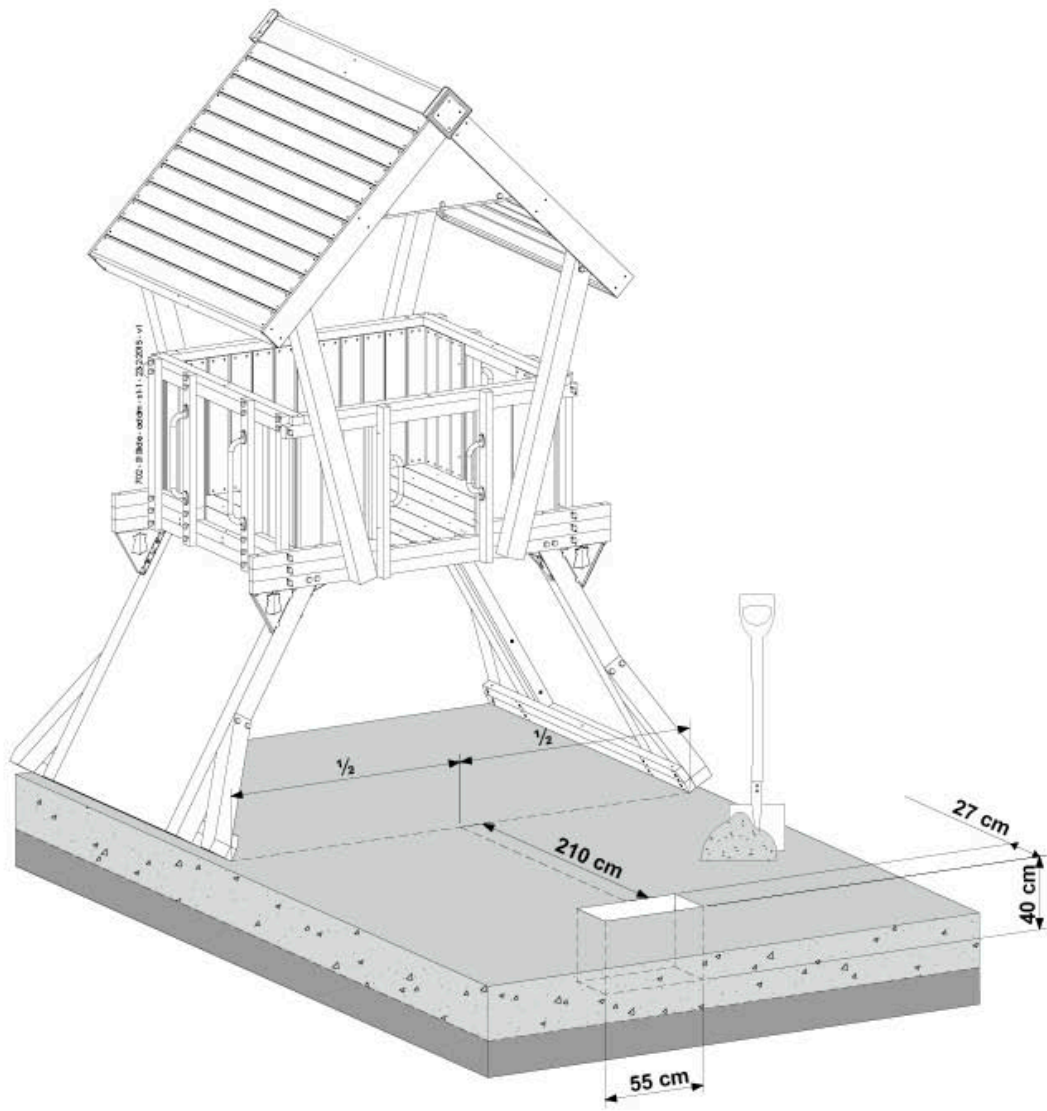
± 30 L / 60 kg

40 cm  
(min. 40 cm)  
(max. 42 cm)

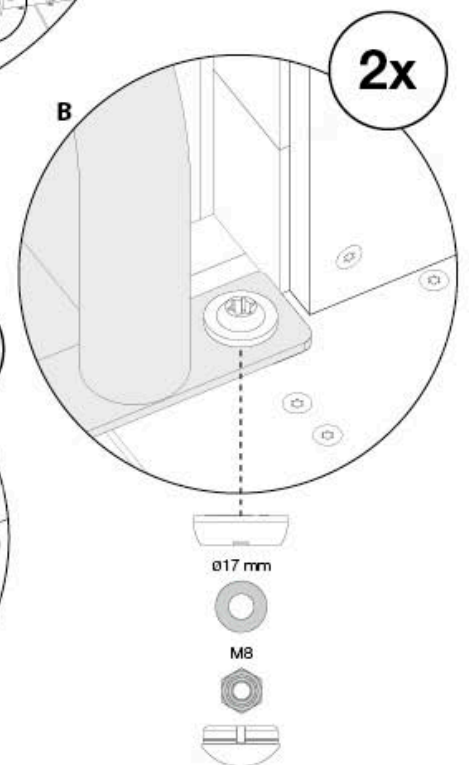
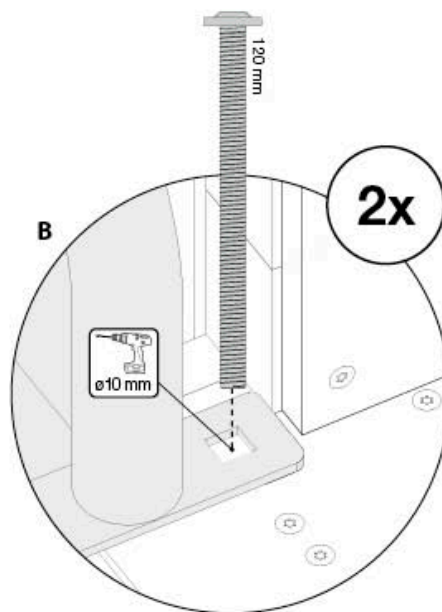
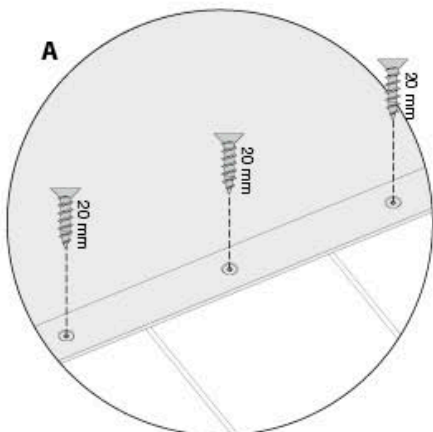
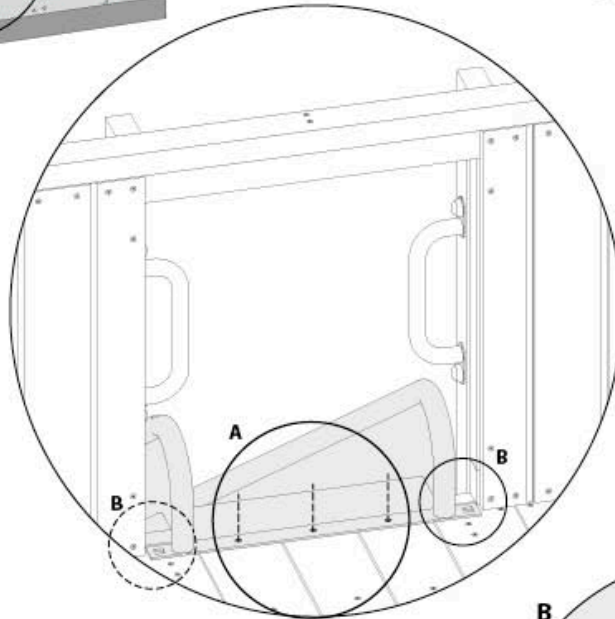
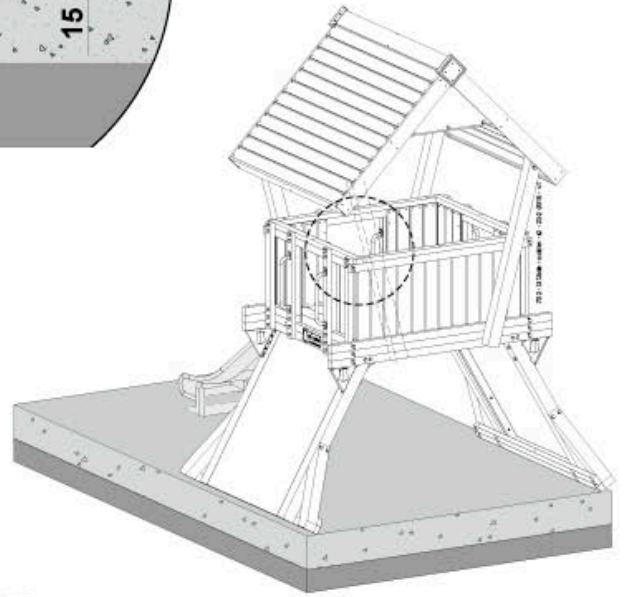
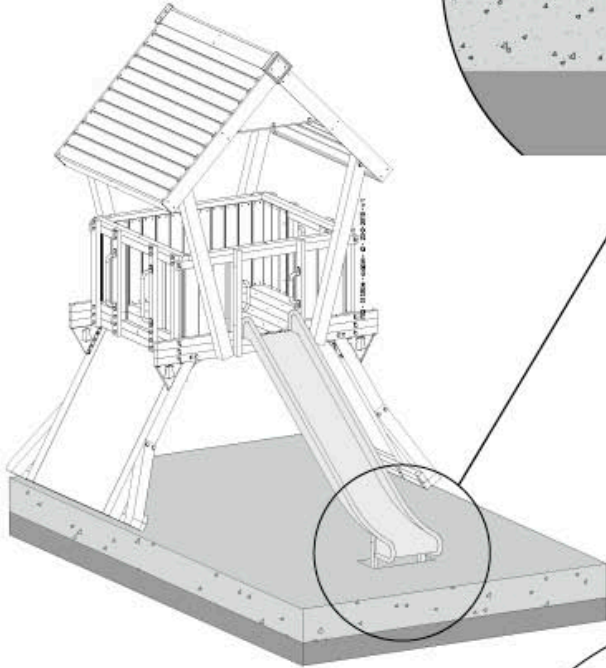
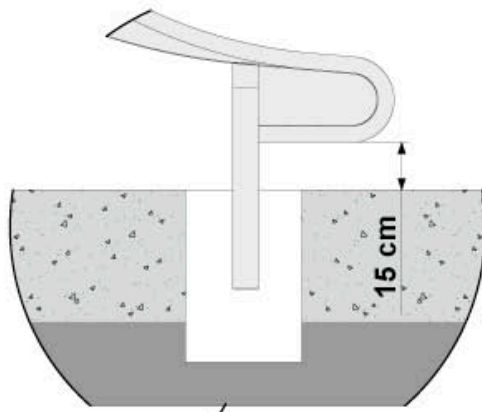


**16**

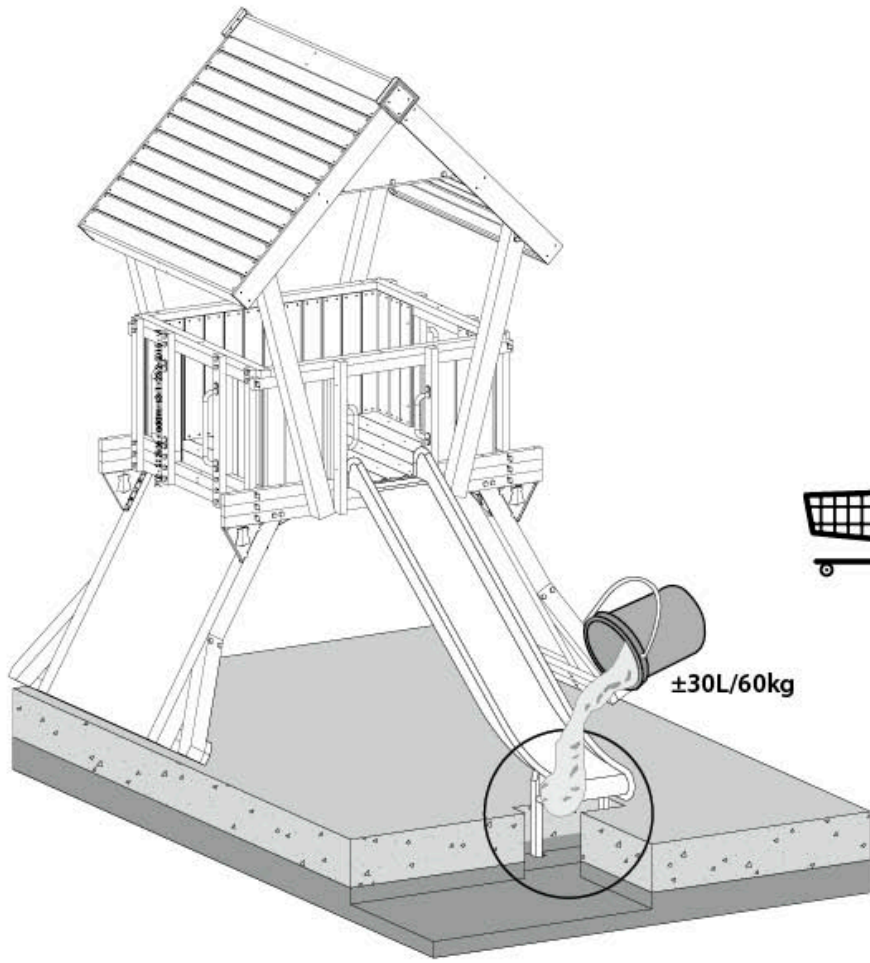
15.8a



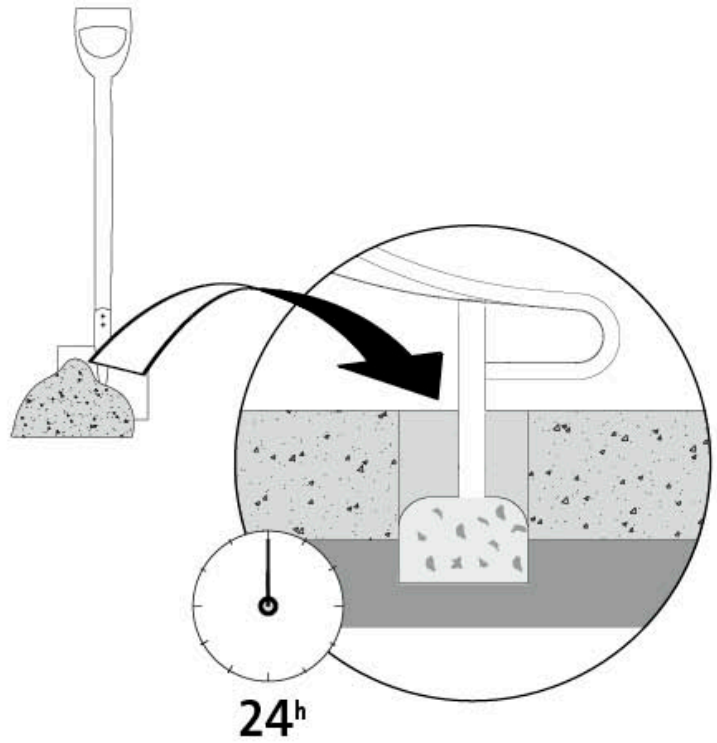
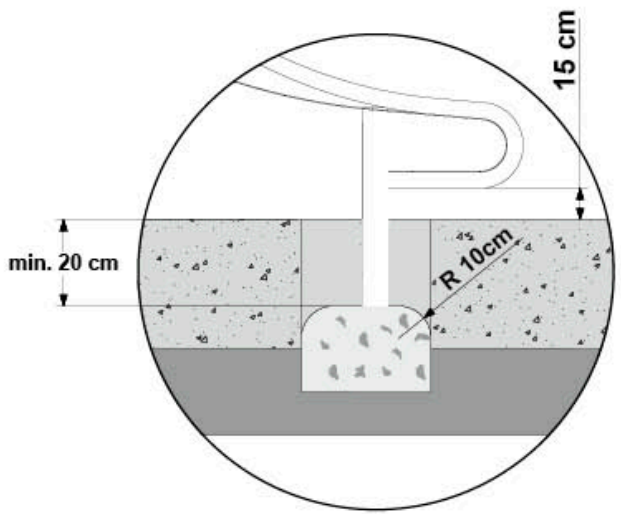
15.8b



15.8c

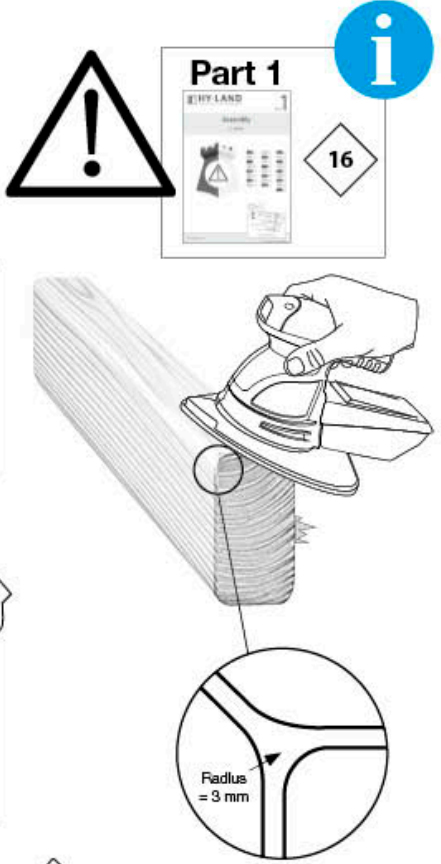
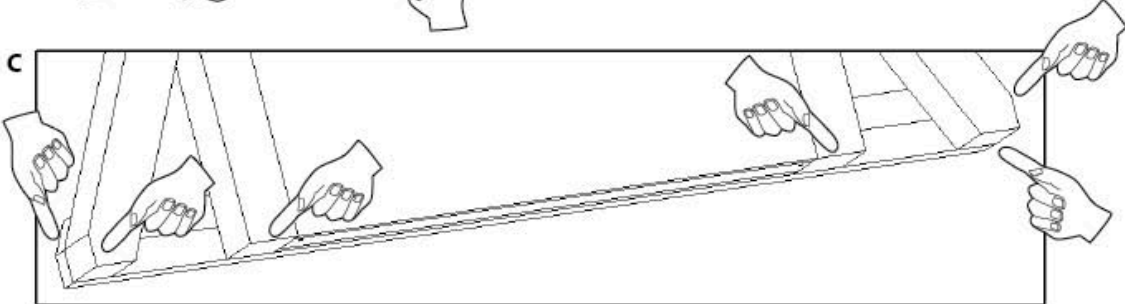
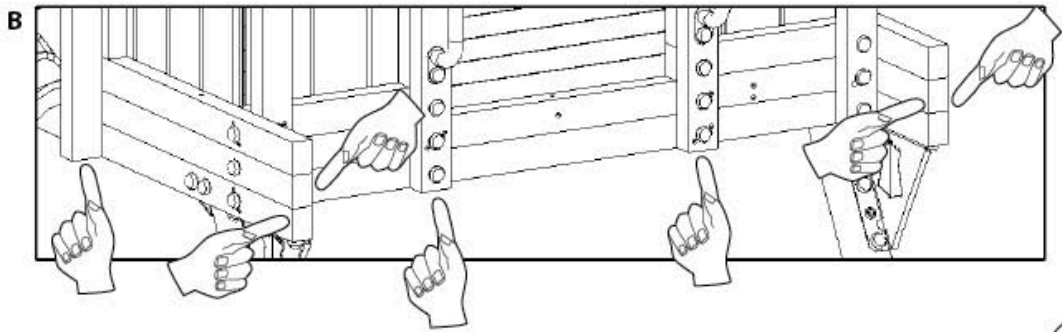
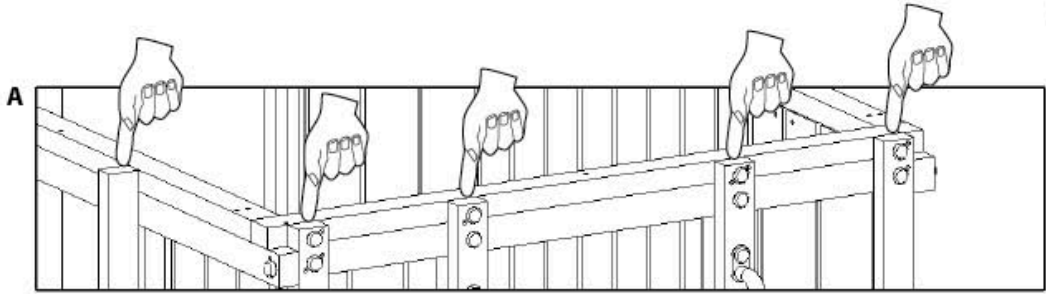
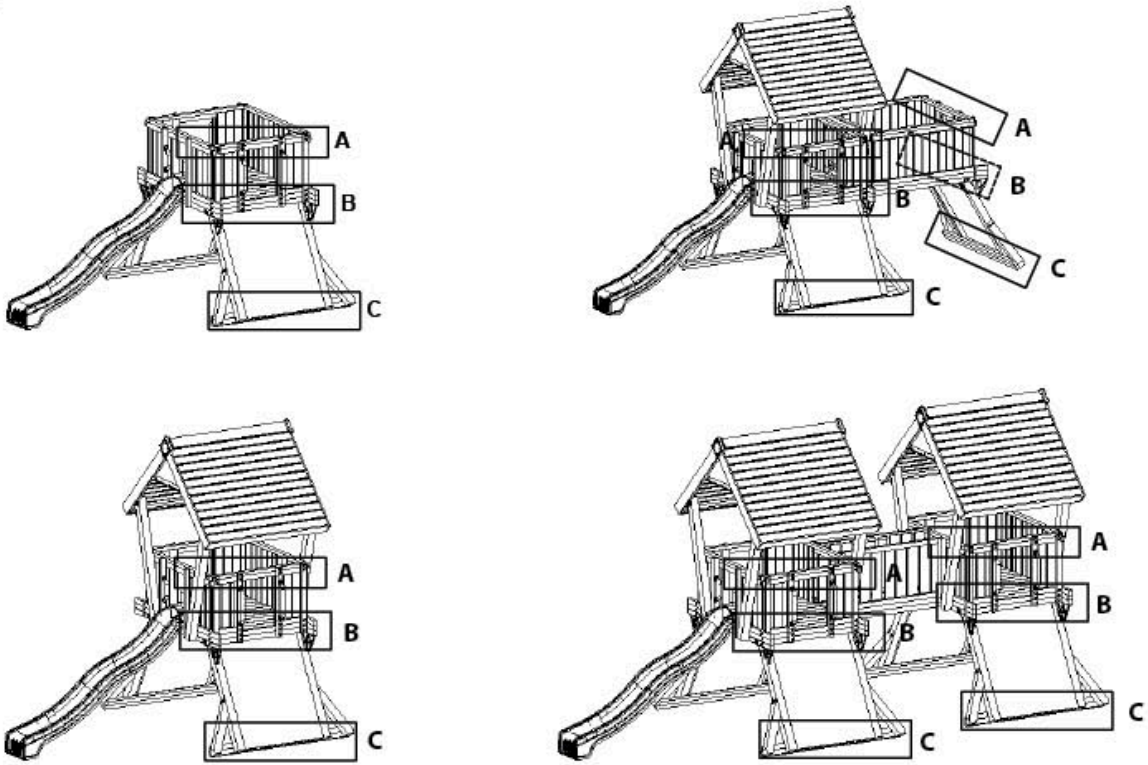


±30L/60kg



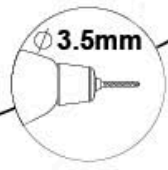
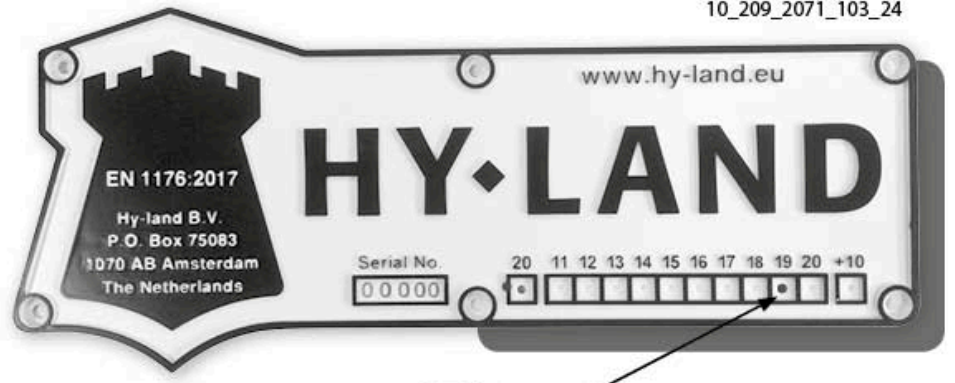
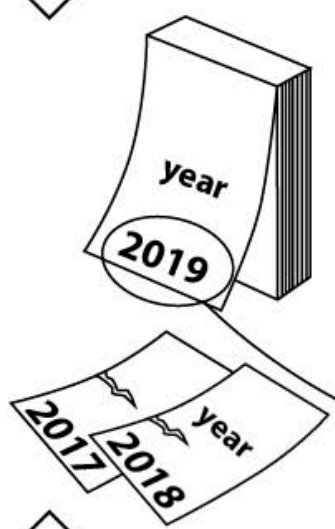
24<sup>h</sup>

16.1



16.2a

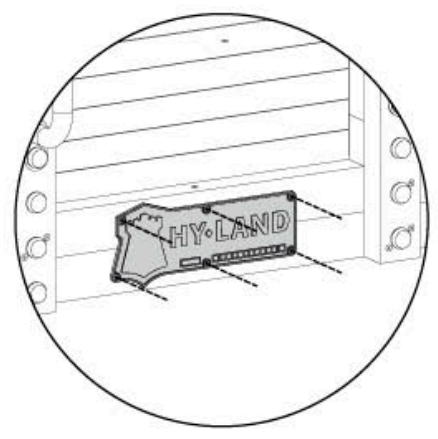
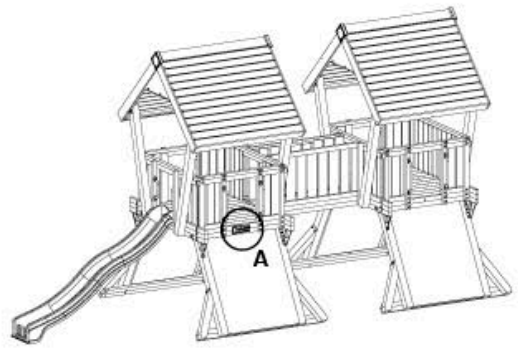
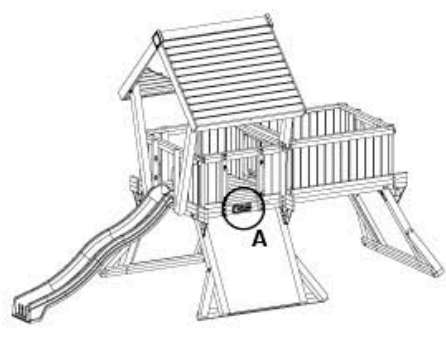
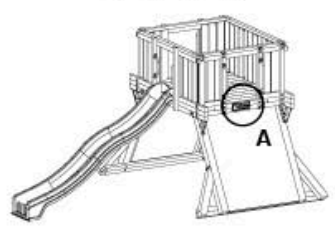
10\_209\_2071\_103\_24



16.2b

4x 19 mm

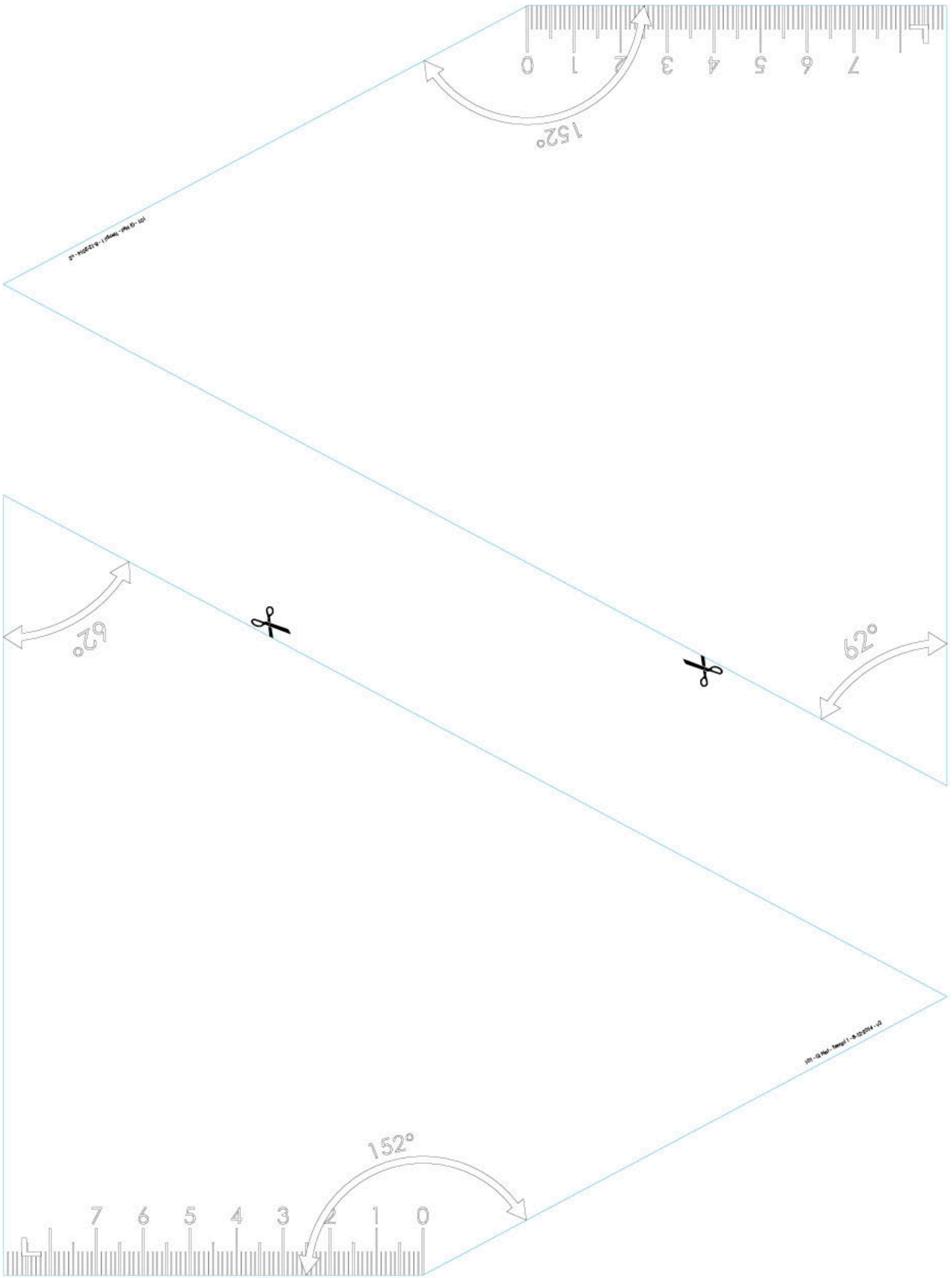
1x HY-LAND  
10\_209\_2071\_103\_24



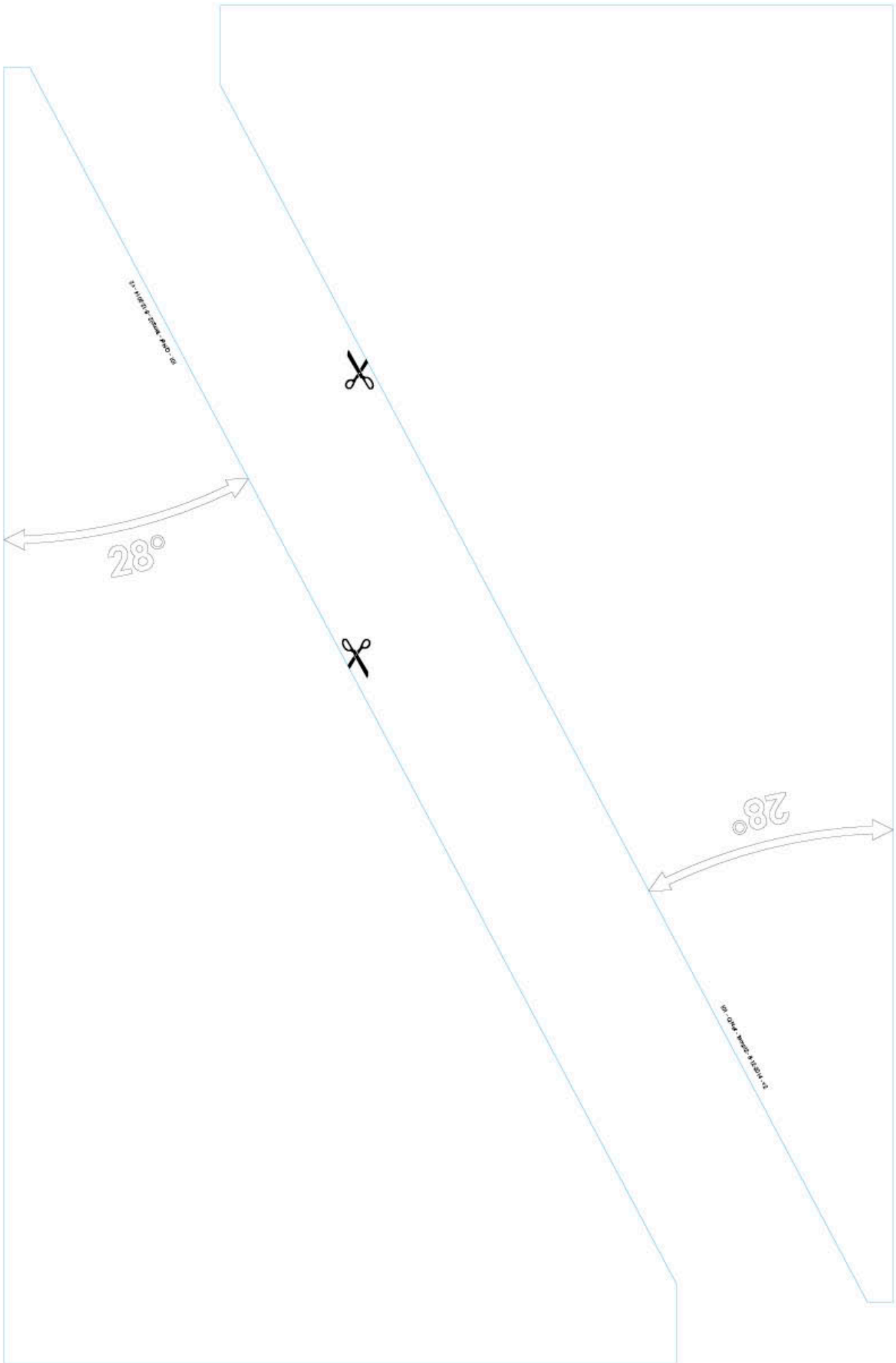
16.2c











Hy-land B.V.  
Valschermkade 18  
NL - 1059 CD Amsterdam  
The Netherlands

Tel : +31 85 444 41 01  
Email : [info@hy-land.eu](mailto:info@hy-land.eu)  
URL : [www.hy-land.eu](http://www.hy-land.eu)

Chamber of Commerce :  
NL 16.078.319

10\_460\_0019\_105\_26\_0701\_AS\_Part\_3\_Q - 20190308

