

# Assembly instructions

Activity toys to be assembled by adults for outdoor domestic use.

## Montageanleitung

Aktivitätsspielzeug zum Zusammenbauen durch Erwachsene für den Einsatz im häuslichen Außenbereich.

## Instructions de montage

Jouets d'activité à assembler par des adultes pour une utilisation extérieure familial.

# 2

PART

Design Code : **R8ydTF**  
Article Number : **211192, 457\_205**  
Product Name : **Bridge Module 2.1**







# Jungle Gym

## BACKYARD PLAYGROUNDS

since 1988

Manual ID: 040\_170\_2712

<b>Assembly time</b>  8 hours by 2 adults	 <b>EN. Warning!</b> Only for domestic use. Maximum number of users is 5. <b>DE. Achtung!</b> Nur für den Hausgebrauch. Maximale Benutzerzahl: 5. <b>FR. Attention!</b> Réserve à un usage familial. Le nombre maximal d'utilisateurs est de 5. <b>BG. Внимание!</b> За употреба само в домашни условия. Максималният брой потребители е 5. <b>CS. Upozornění!</b> Jen pro domácí použití. Maximální počet uživatelů je 5. <b>DA. Advarsel!</b> Kun til privat brug. Maksimum antal brugere er 5. <b>EL. Προειδοποίηση!</b> Μόνο για οικιακή χρήση. Μέγιστος αριθμός χρηστών 5. <b>ES. Advertencia!</b> Sólo para uso doméstico. Número máximo de usuarios: 5. <b>ET. Hoiatus!</b> Ainult koduseks kasutamiseks. Maksimaalne kasutajate arv on 5. <b>FI. Varoitus!</b> Ainoastaan kotikäyttöön. Käyttäjää yhteensä enintään 5. <b>HR. Upozorenje!</b> Samo za uporabu u domu. Maksimalan broj korisnika je 5. <b>HU. Figyelmeztetés!</b> Csak otthoni használatra! A használók max. száma: 5. <b>IS. Viðvörðun!</b> Eingöngu fyrir einkanotkun í heimahúsum og á einkalóðum. Hámarksfjöldi notenda er 5. <b>IT. Attenzione!</b> Solo per uso domestico. Massimo numero di utenti è 5. <b>LT. Dėmesio!</b> Tik buitiniam naudojimui. Maksimalus naudotojų skaičius 5. <b>LV. Brīdinājums!</b> Izmantot tikai mājās. Maksimālais lietotāju skaits ir 5. <b>NL. Waarschuwing!</b> Uitsluitend voor huishoudelijk gebruik. Het maximale aantal gebruikers is 5. <b>NO. Advarsel!</b> Kun for privat bruk. Maksimalt antall brukere er 5. <b>PL. Uwaga!</b> Wyłącznie do użytku domowego. Maksymalna liczba użytkowników to 5. <b>PT. Aviso!</b> Apenas para uso doméstico. O número máximo de utilizadores é 5. <b>RO. Avertisment!</b> Numai pentru uz domestic. Numărul maxim de utilizatori este 5. <b>SK. Upozornenie!</b> Iba na domáce použitie. Maximálne množstvo osôb je 5. <b>SL. Opozorilo!</b> Samo za domačo uporabo. Maksimalno število uporabnikov je 5. <b>SV. Varning!</b> Endast för hemmabruk. Det maximala antalet användare är 5.	
		

Design Code: R8ydTF © 2025 Jungle Gym B.V. Copyrighted material. All rights reserved. Single-owner licensed. No part of this document may be reproduced or utilized otherwise in any form or by any means, electronic or mechanical, including photocopying, or posting on the internet or an intranet, copying and networking prohibited

040\_401\_2715\_TP\_Part 2 P1 03062025



# General safety notice

## Allgemeine Sicherheitswarnung

## Avertissement de sécurité général

### OWNER'S MANUAL



**Important:** Before assembling and using this product, please carefully read the provided Use- and maintenance instructions ([Part 1](#)) and assembly instructions ([Part 2](#)) thoroughly.

**Wichtig:** Lesen Sie vor der Montage und Benutzung dieses Produkts die beiliegende Gebrauchs- und Wartungsanweisungen ([Teil 1](#)) und die Montageanleitung ([Teil 2](#)) sorgfältig durch.

**Important:** Avant de monter et d'utiliser ce produit, veuillez lire attentivement. Conseils d'utilisation et d'entretien ([Partie 1](#)) et les instructions de montage ([Partie 2](#)).



1-5

Part 1

**Warnings!**  
**Achtung!**  
**Attention!**



1-12

Part 1

**Potential hazards**  
**Potenzielle Gefahren**  
**Dangers potentiels**



1-7

Part 1

**Installation notices**  
**Installationsplanung**  
**Planification de l'installation**



1-14

Part 1

**Assembly instructions**  
**Montageanweisungen**  
**Instructions de montage**



1-7

Part 1

**Safe play instructions**  
**Sichere Spielanweisungen**  
**Consignes de jeu sécurité**



## Customer service and support

## Kundendienst und Unterstützung

## Service clients et support

### CONTACT



 [Frequently Asked Questions](#)

 [Häufig gestellte Fragen](#)

 [Foire aux questions](#)

 [Veelgestelde Vragen](#)



 [Contact form](#)

 [Kontaktformular](#)

 [Formulaire de contact](#)

 [Contactformulier](#)



  EU +31 85 44 44 102  
*International phone charges may apply.*

 [info@junglegym.com](mailto:info@junglegym.com)

 [www.junglegym.com](http://www.junglegym.com)

 [instagram.com/junglegymofficial](https://www.instagram.com/junglegymofficial)

**Availability:**

**Monday – Thursday:**

*CET 09:00 AM – 04:00 PM*

**Friday:**

*CET 09:00 AM – 01:00 PM*



# Preparatory work Vorbereitende Arbeiten Travaux préparatoires



Overview of the total delivery scope  
Übersicht über den gesamten Lieferumfang  
Aperçu de l'ensemble de la portée de livraison



OR



To avoid danger of suffocation, please keep the bag away from children.  
Um Erstickungsgefahr zu vermeiden, halten Sie die Tüte bitte von Kindern fern.  
Pour éviter tout risque d'étouffement, gardez le sac hors de portée des enfants.

Choking hazard – may not be suitable for children under 3 years.  
Erstickungsgefahr – möglicherweise nicht geeignet für Kinder unter 3 Jahren.  
Risque d'étouffement – peut ne pas convenir aux enfants de moins de 3 ans.



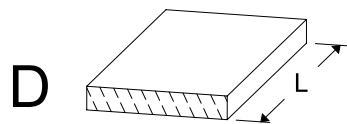
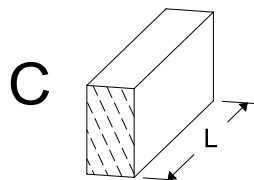
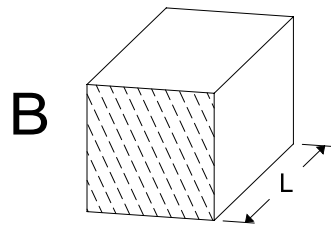
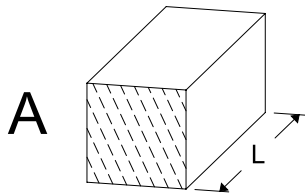
#	Sub-assembly ID	Description	FFC ID
1	757_205	Bridge Module 2.1	757_205

Identifying and inventorying of the individual timber parts  
 Identifizierung und inventarisieren der der einzelnen Holzteile  
 Identification et inventorier les pièces en bois individuels

Bridge module 2.1

**L**

657\_205

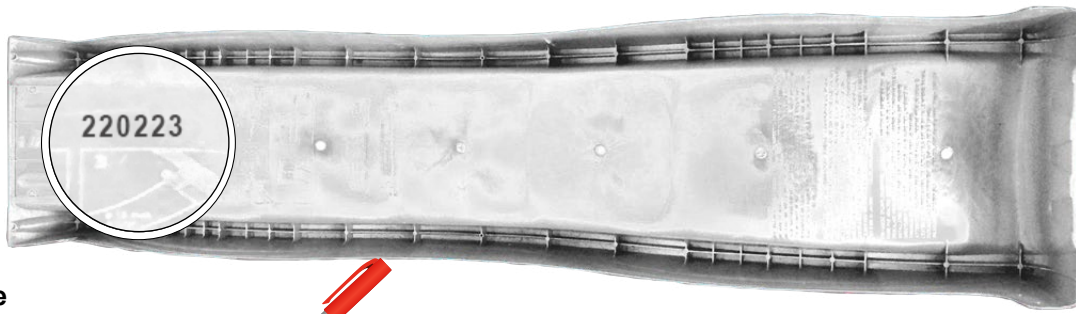


A200	199cm - 200cm	<b>4 x</b>
-		
C154	153cm - 154cm	<b>2 x</b>
C141	140cm - 141cm	<b>3 x</b>
C130	129cm - 130cm	<b>2 x</b>
C114	113cm - 114cm	<b>1 x</b>
C74	73cm - 74cm	<b>8 x</b>
C37	36cm - 37cm	<b>4 x</b>
D141	140cm - 141cm	<b>2 x</b>
D74	73cm - 74cm	<b>8 x</b>
D65	64cm - 65cm	<b>8 x</b>
D60	59cm - 60cm	<b>54 x</b>

17-Jun-2022

Manual ID: 040\_179\_2712

Identification, inventorying, and registering of the individual accessories and parts  
 Identifizierung, inventarisieren und registrieren von der einzelnen Zubehör und Teilen  
 Identification, inventorier et enregistrer les accessoires et pièces individuels



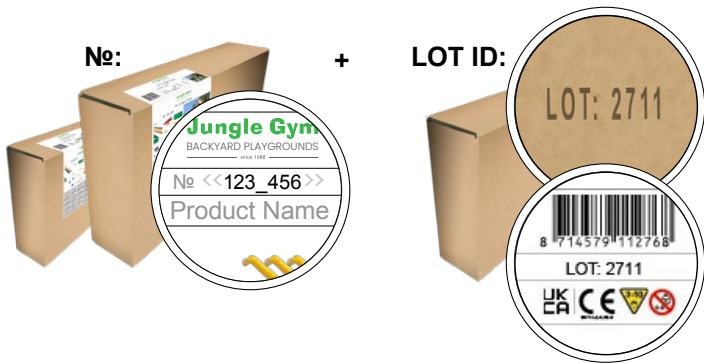
Example

No:      LOT ID:  
 2 2    0 2 2 3

No:      LOT ID:  
 1. [ ] [ ] [ ] [ ] [ ] [ ] [ ] [ ] [ ] [ ]  
 2. [ ] [ ] [ ] [ ] [ ] [ ] [ ] [ ] [ ] [ ]

No:      LOT ID:  
 3. [ ] [ ] [ ] [ ] [ ] [ ] [ ] [ ] [ ] [ ]  
 4. [ ] [ ] [ ] [ ] [ ] [ ] [ ] [ ] [ ] [ ]

Identification, inventorying, and registering of the individual assembly kits  
 Identifizierung, inventarisieren und registrieren der der einzelnen Bausätze  
 Identification, inventorier et enregistrer les kits de construction individuels



Example

No:                      LOT ID:  
 1 2 3    4 5 6    2 7 1 1

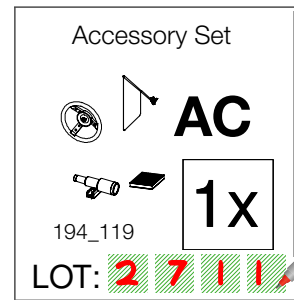
No:                      LOT ID:  
 1. [ ] [ ] [ ] [ ] [ ] [ ] [ ] [ ] [ ] [ ]  
 2. [ ] [ ] [ ] [ ] [ ] [ ] [ ] [ ] [ ] [ ]  
 3. [ ] [ ] [ ] [ ] [ ] [ ] [ ] [ ] [ ] [ ]  
 4. [ ] [ ] [ ] [ ] [ ] [ ] [ ] [ ] [ ] [ ]  
 5. [ ] [ ] [ ] [ ] [ ] [ ] [ ] [ ] [ ] [ ]

No:                      LOT ID:  
 6. [ ] [ ] [ ] [ ] [ ] [ ] [ ] [ ] [ ] [ ]  
 7. [ ] [ ] [ ] [ ] [ ] [ ] [ ] [ ] [ ] [ ]  
 8. [ ] [ ] [ ] [ ] [ ] [ ] [ ] [ ] [ ] [ ]  
 9. [ ] [ ] [ ] [ ] [ ] [ ] [ ] [ ] [ ] [ ]  
 10. [ ] [ ] [ ] [ ] [ ] [ ] [ ] [ ] [ ] [ ]

**Identification, inventorying, and registering of the individual assembly packs**  
**Identifizierung, inventarisieren und registrieren der einzelnen Baupakete**  
**Identification, inventorier et enregistrer les packs de construction individuels**



**Example**



457\_205

<p><b>1x</b> 051_610</p>	<p><b>5x</b> 022_50x</p>	<p><b>2x</b> 120_102</p> <p><b>2x</b> 022_320</p> <p><b>4x</b> 001_404</p>	<p><b>1x</b> 123_200</p>	<p><b>1x</b> 020_317</p>
<p><b>3x</b> 121_114</p>	<p><b>2x</b> 007_001</p>	<p><b>1x</b> 008_010</p>	<p><b>2x</b> 005_514</p>	<p><b>1x</b> 100_119</p>
<p><b>26x</b> 022_911</p>				

Manual ID: 040\_179\_2712

**Overview of the contents of the standard included start package**  
**Übersicht über den Inhalt des standardmäßig enthaltenen Startpakets**  
**Aperçu du contenu du pack de démarrage inclus standard**



**Overview of all hardware and part references for identification**  
**Übersicht über alle Hardware- und Teile-Referenzen zur Identifizierung**  
**Aperçu de toutes les références de matériel et de pièces pour identification**

		#	L
		001_404 001_406 001_411 001_417 001_422	30 mm 45 mm 60 mm 80 mm 137 mm
		001_102	30 mm
		000_101	20 mm
		002_036	16 mm
		002_041	20 mm
		002_042	13 mm
		002_301	40 mm

		#	L
		002_308 002_219 002_220 002_223	20 mm 30 mm 45 mm 80 mm
		004_050	22mm
		003_010	
		003_034	
		022_845 022_846 022_847 022_848	Yellow Blue Green Red
		023_031	White
		120_005	White



# Complete climbing frame identification and registration

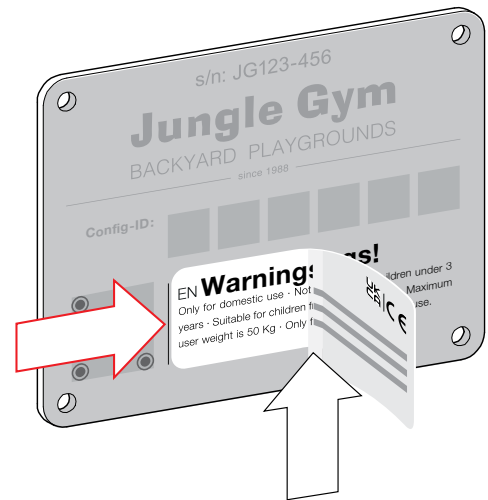
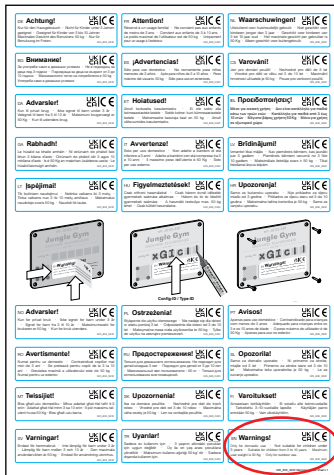
## Identifizierung und Registrierung des kompletten Klettergerüsts

### Identification et enregistrement de la structure d'escalade complète

Your Design Code  
Ihr Designcode  
Votre code de design



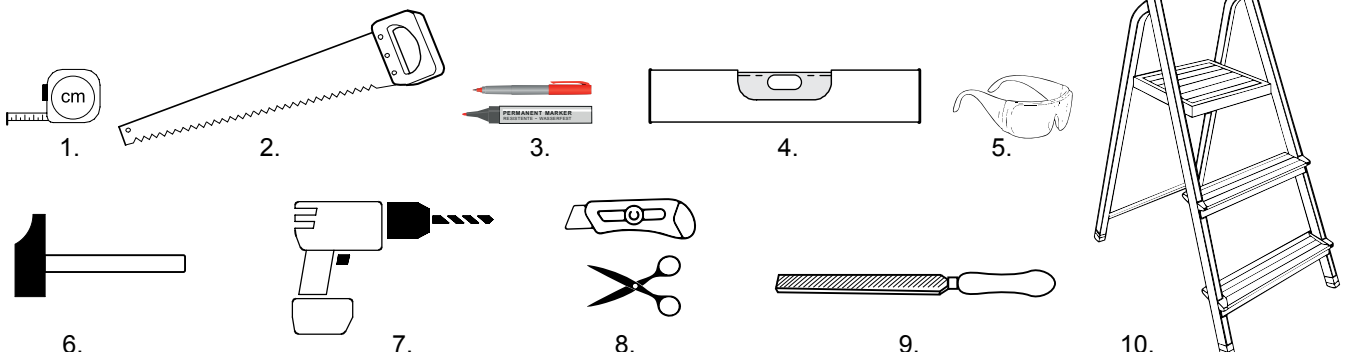
Complete climbing frame identification  
Identifizierung des kompletten Klettergerüsts  
Identification de la structure d'escalade complète



## Required tools and materials

### Benötigtes Werkzeug und Materialien

### Outils et matériaux nécessaires



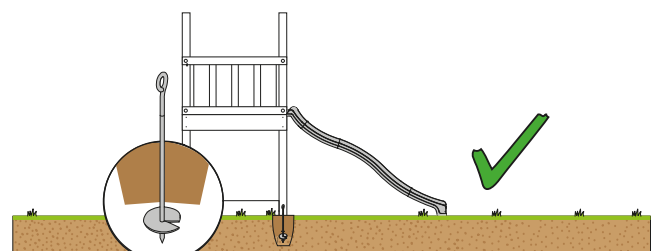
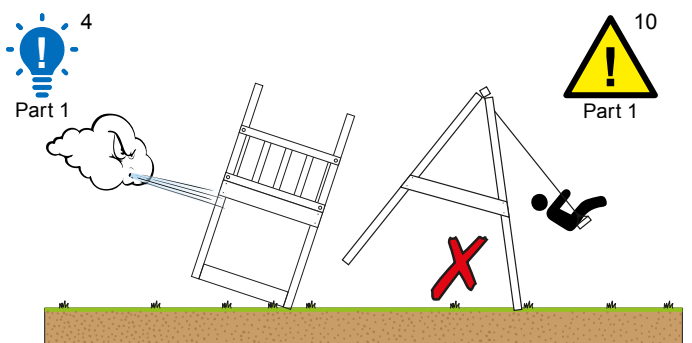
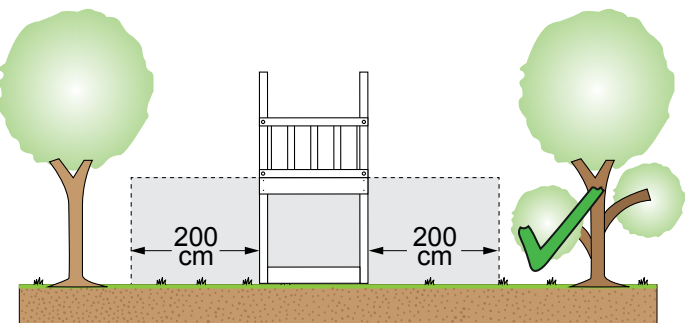
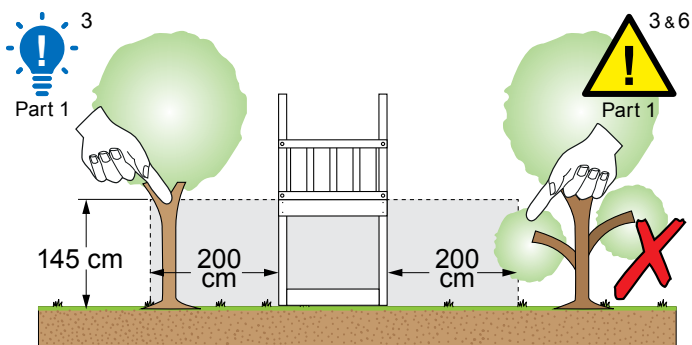
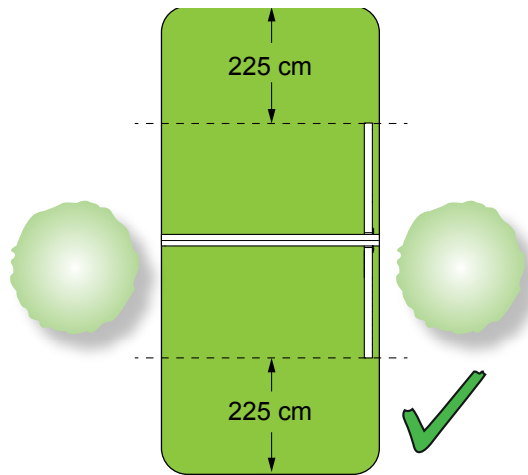
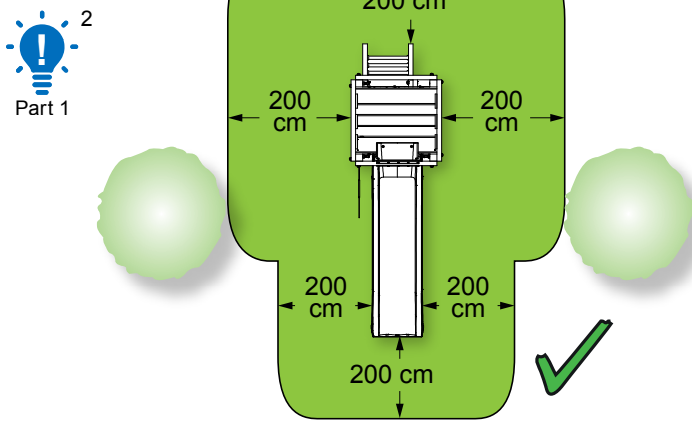
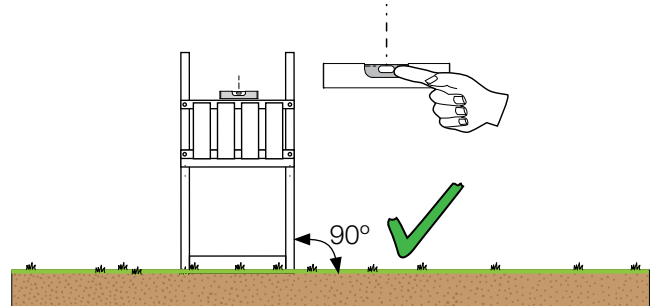
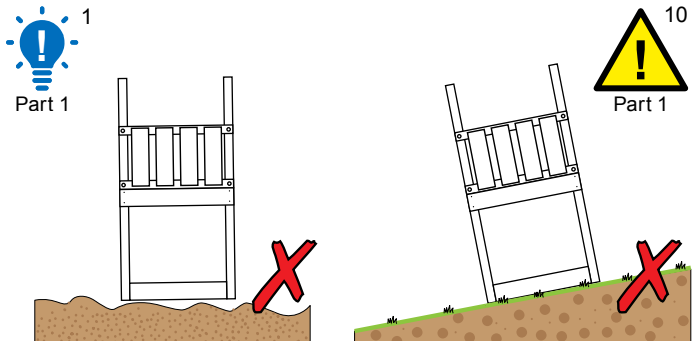




# Installation and safety notices

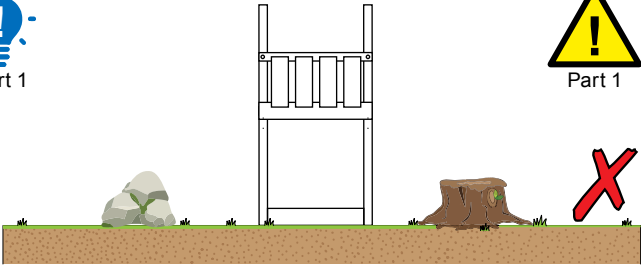
## Installationsplanung und Sicherheitshinweise

### Planification de l'installation et avis de sécurité



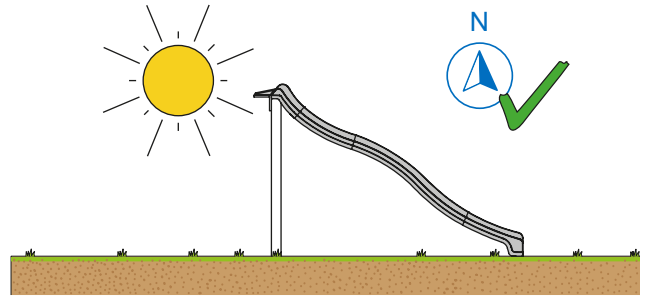
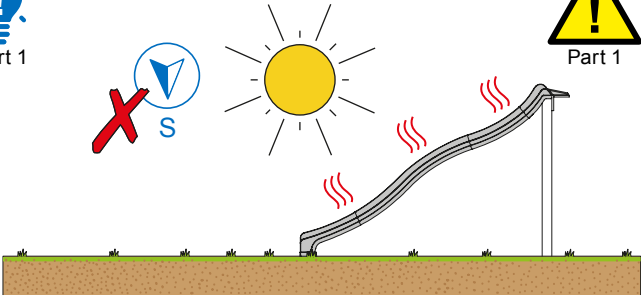
5  
Part 1

12  
Part 1

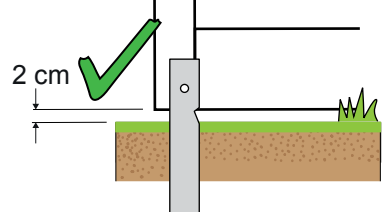
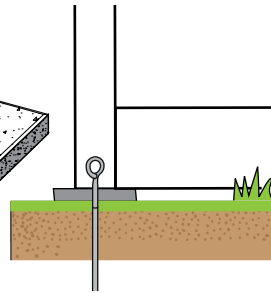
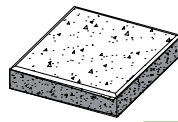
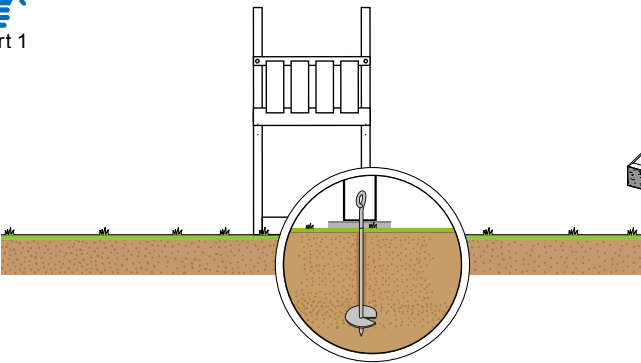


6  
Part 1

7  
Part 1

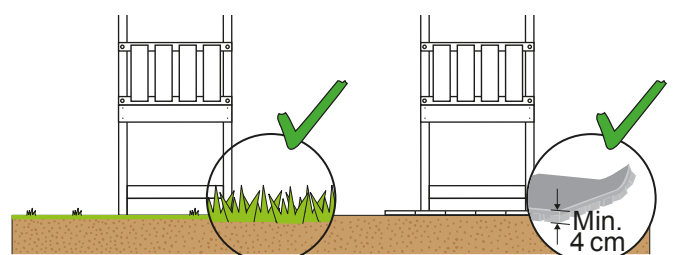
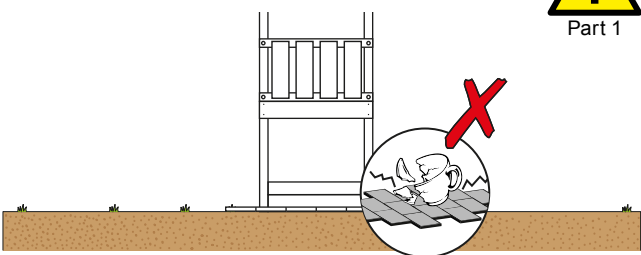


7  
Part 1



## Shock absorbing surfaces Stoßdämpfende Oberflächen Surfaces d'absorption des chocs

6  
Part 1



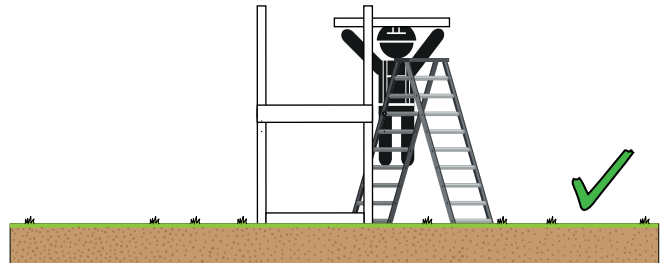
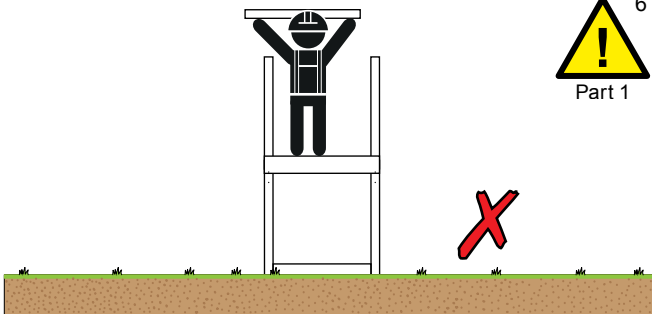
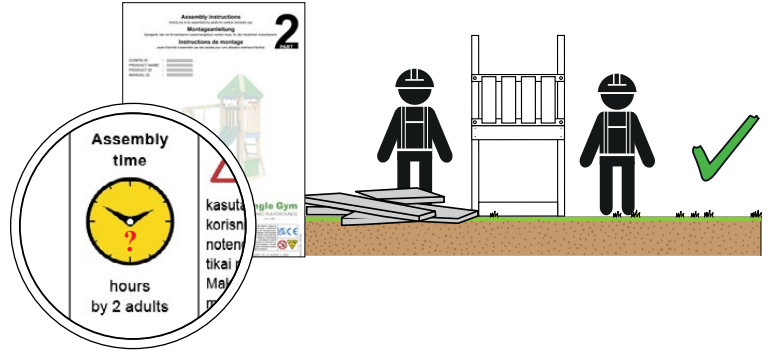
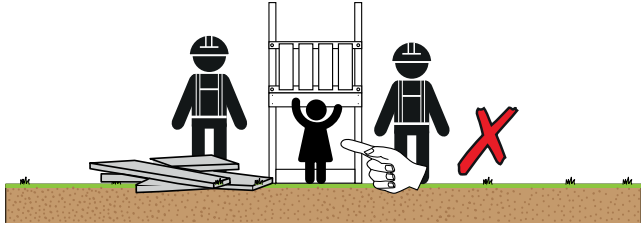


# Assembly instructions and safety notices

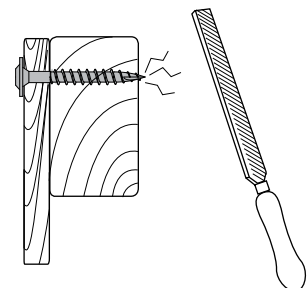
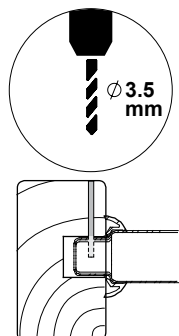
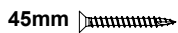
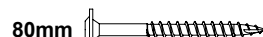
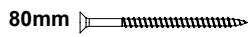
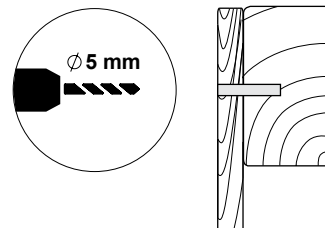
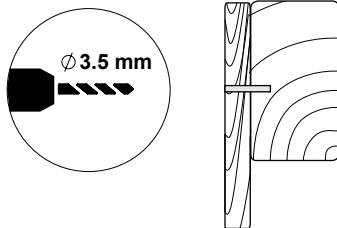
## Montageanweisungen und Sicherheitswarnungen

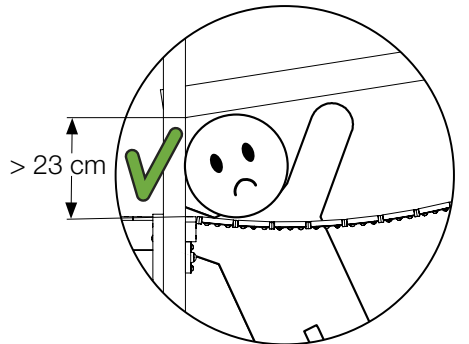
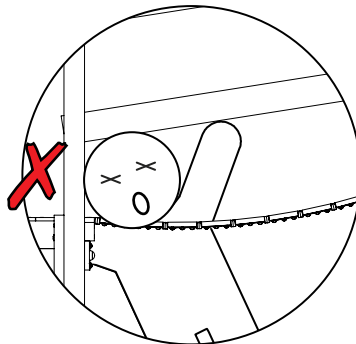
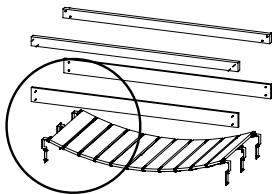
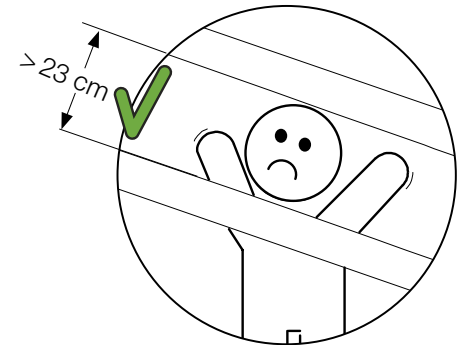
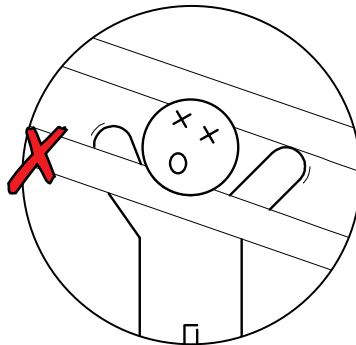
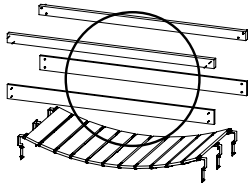
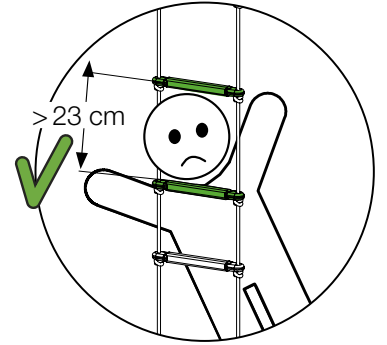
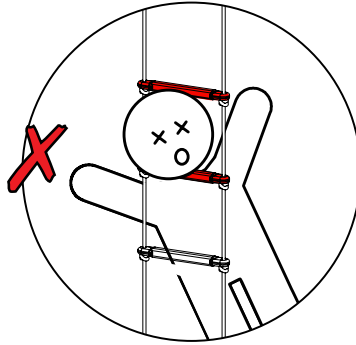
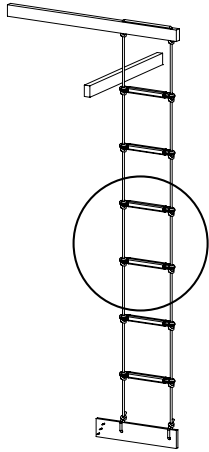
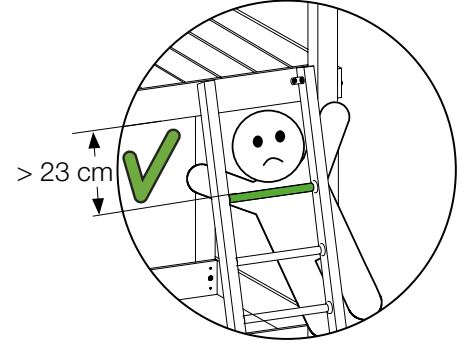
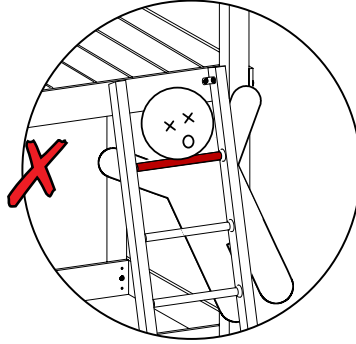
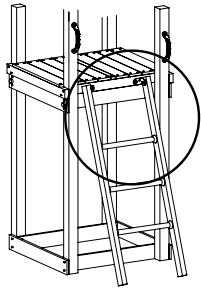
### Instructions de montage et avis de sécurité

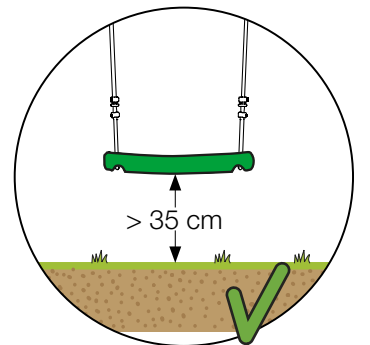
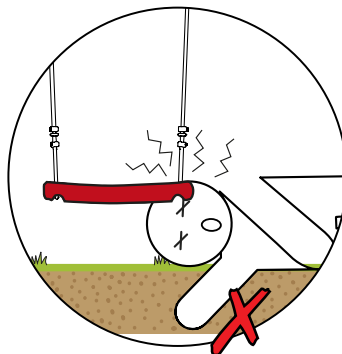
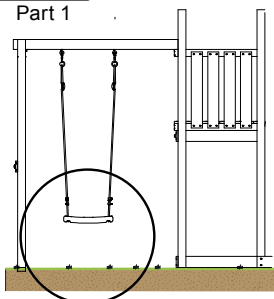
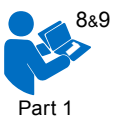
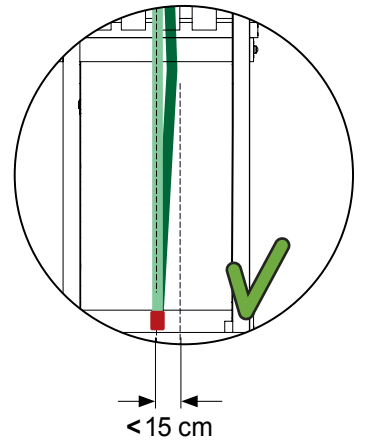
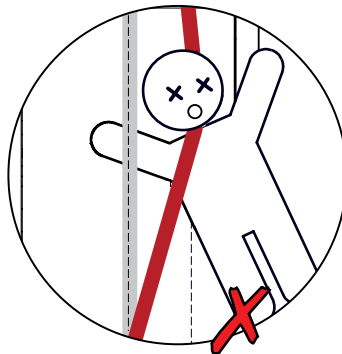
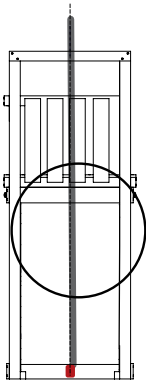
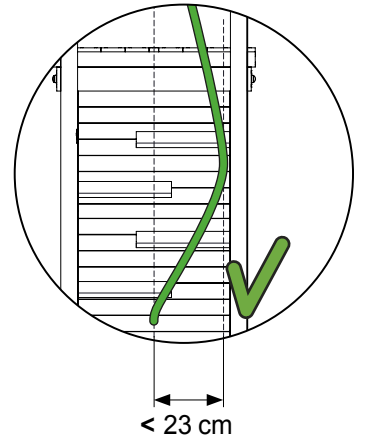
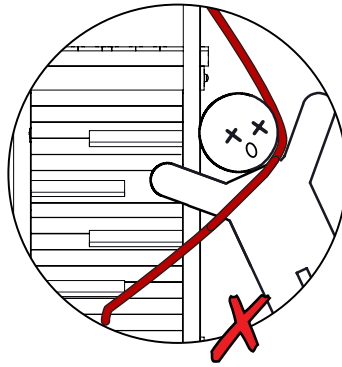
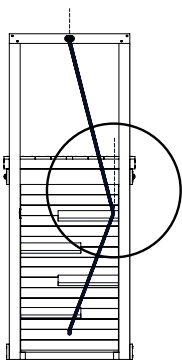
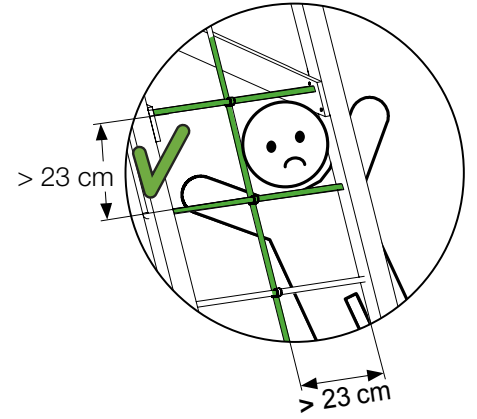
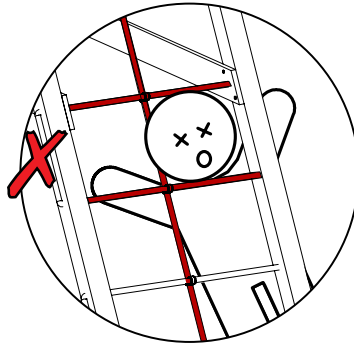
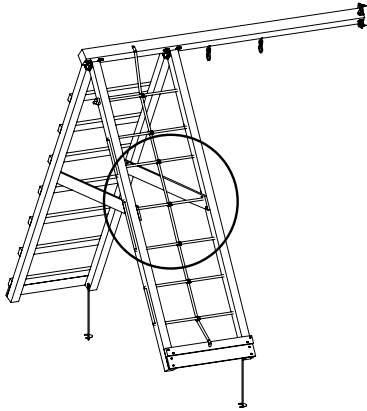
1,2,3&4  
Part 1



5  
Part 1









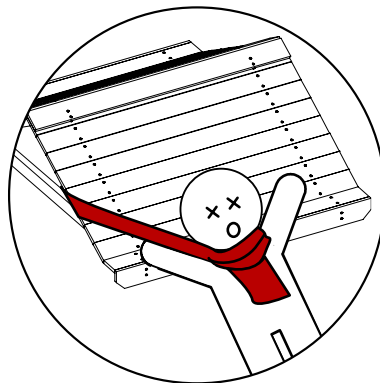
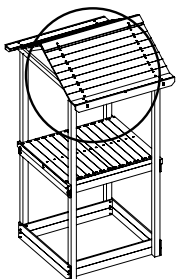
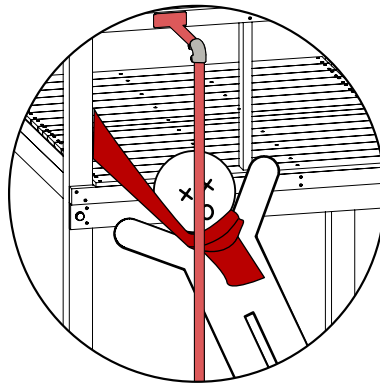
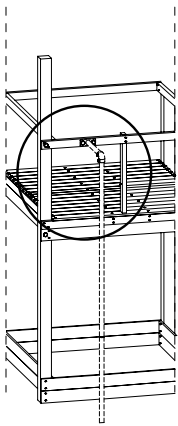
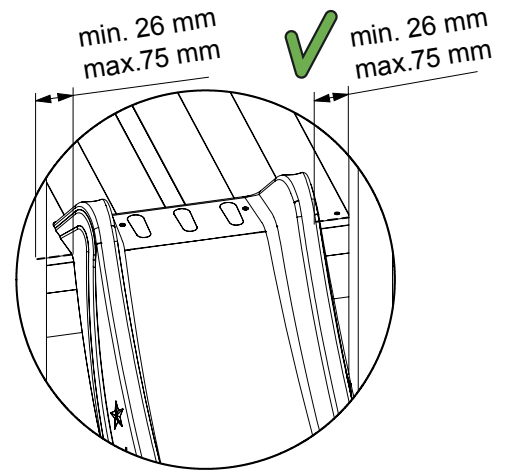
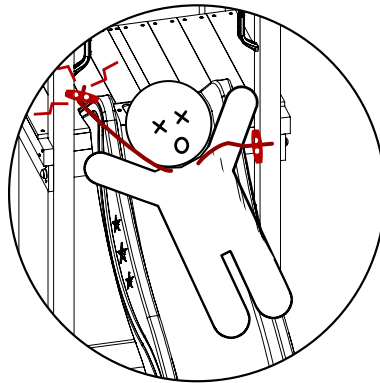
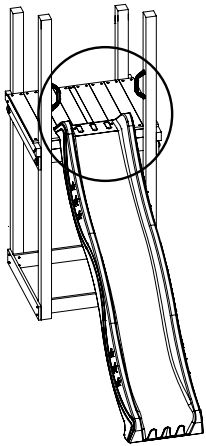
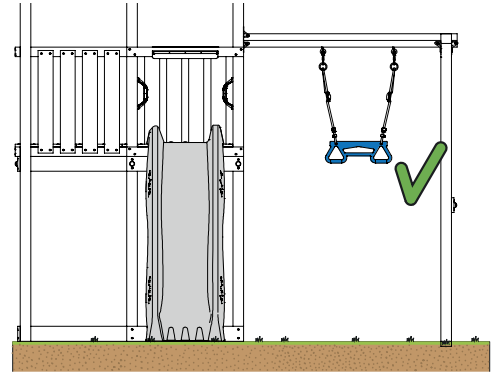
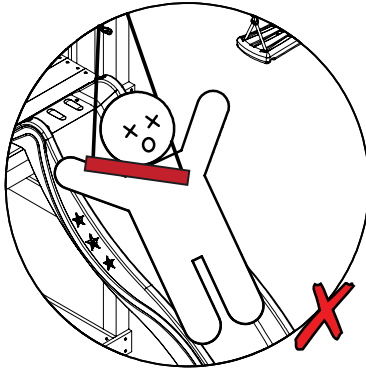
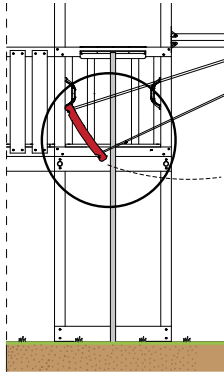
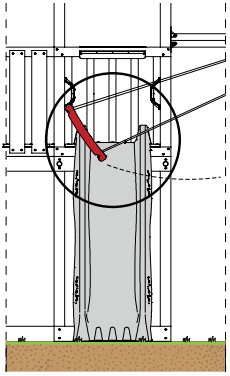
10



4&9

Part 1

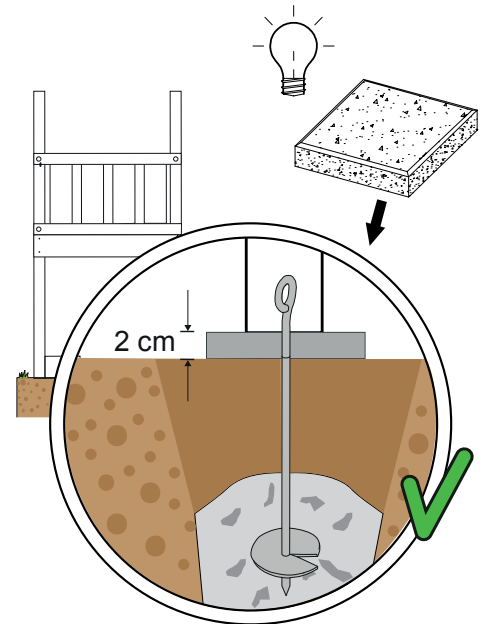
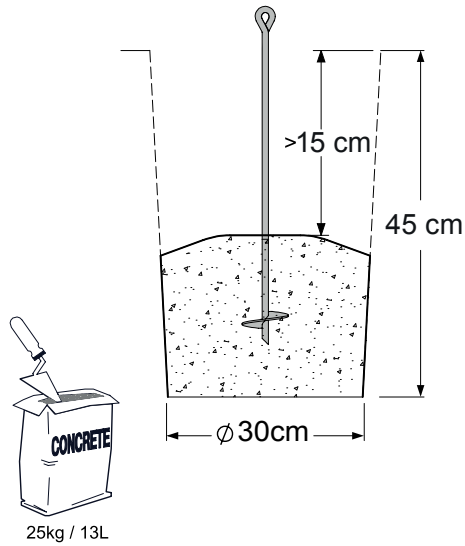
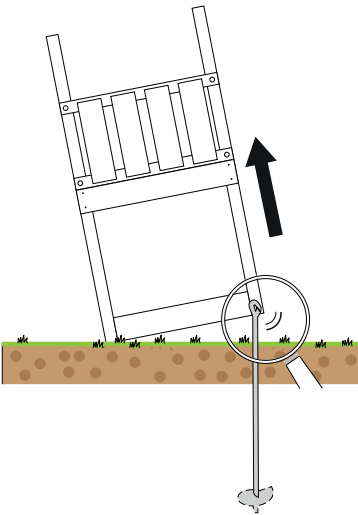
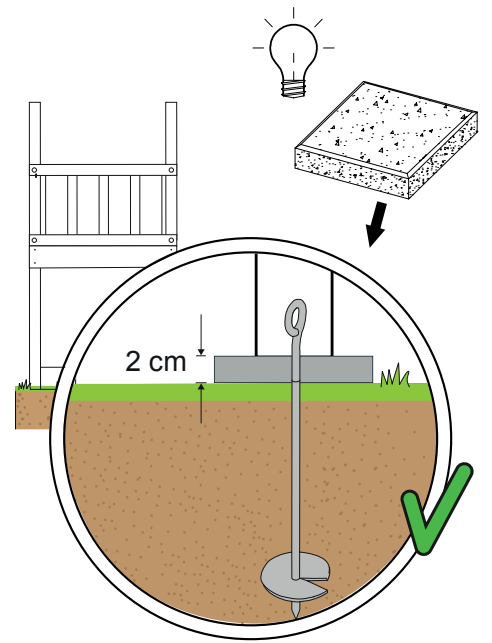
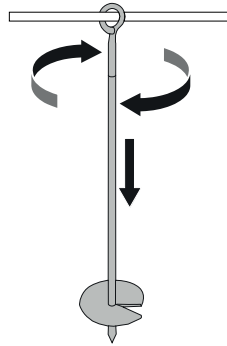
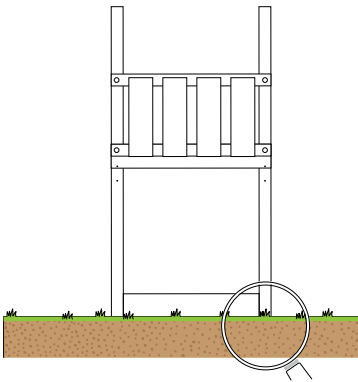
Part 1



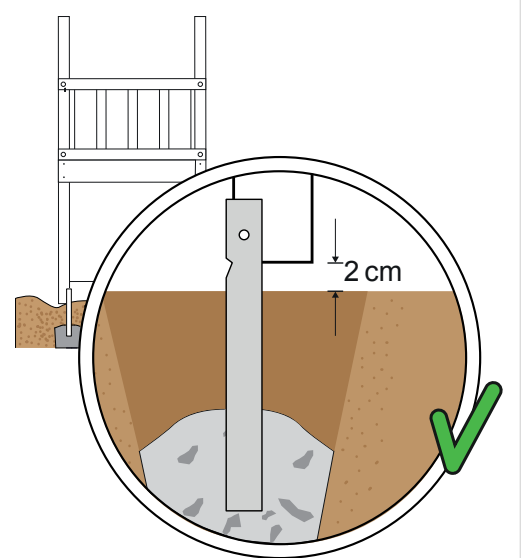
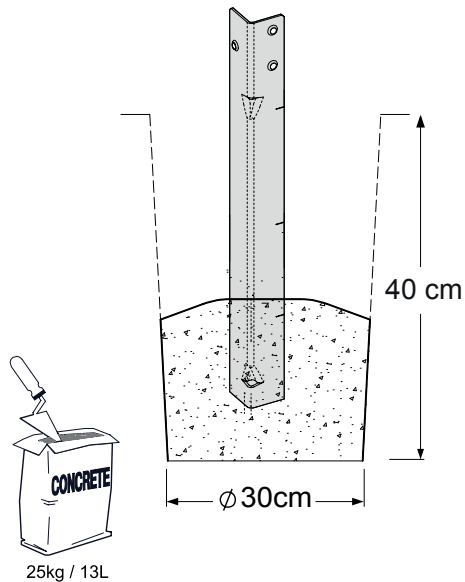
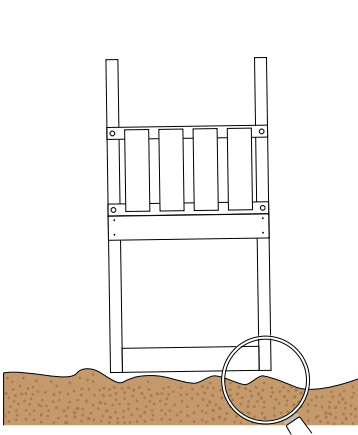


Part 1

Part 1



### Optional: Post anchors

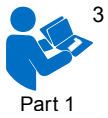
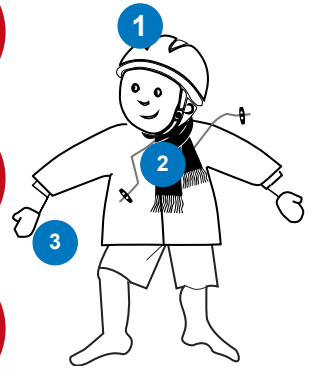
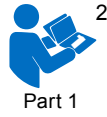
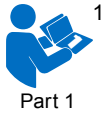




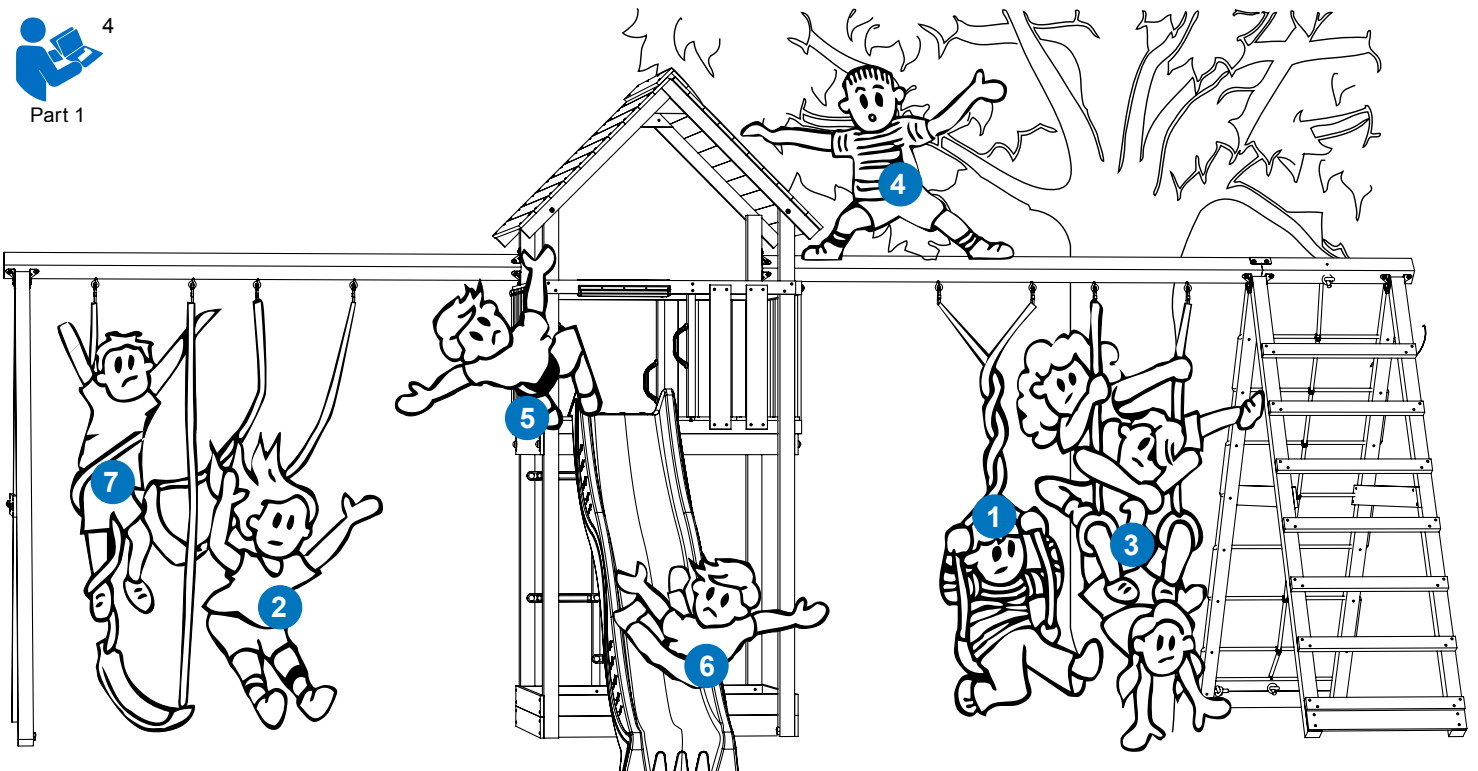
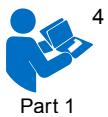
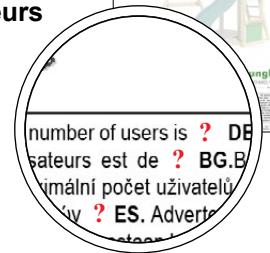
# Safe play instructions and safety notices

## Sichere Spielanweisungen und Sicherheitswarnungen

### Consignes de jeu sécurisé et avis de sécurité



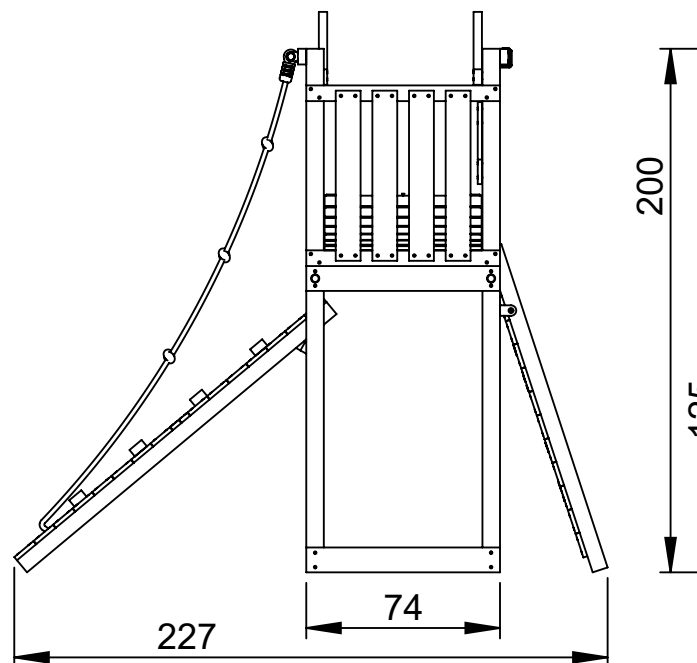
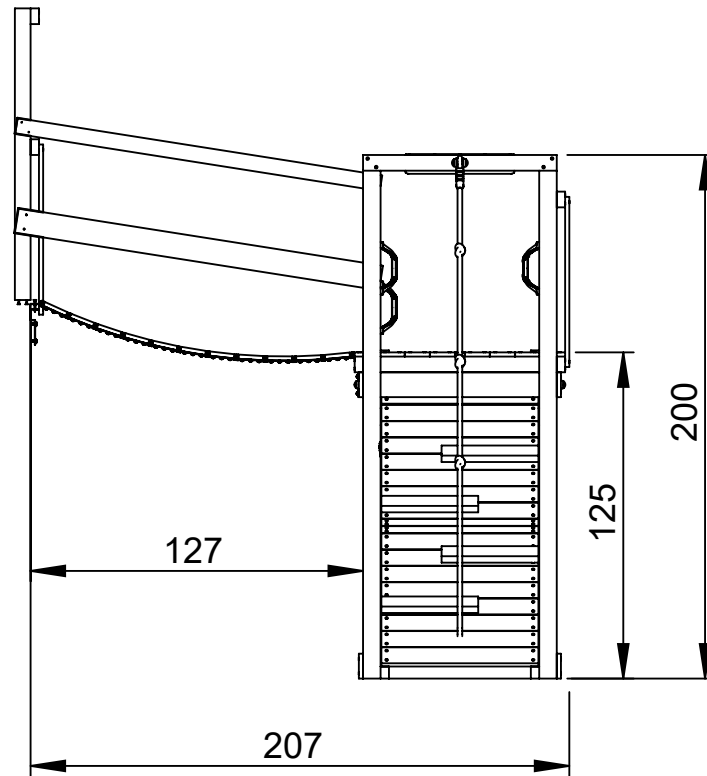
Maximum number of users  
 Maximale Benutzerzahl  
 Le nombre maximal d'utilisateurs





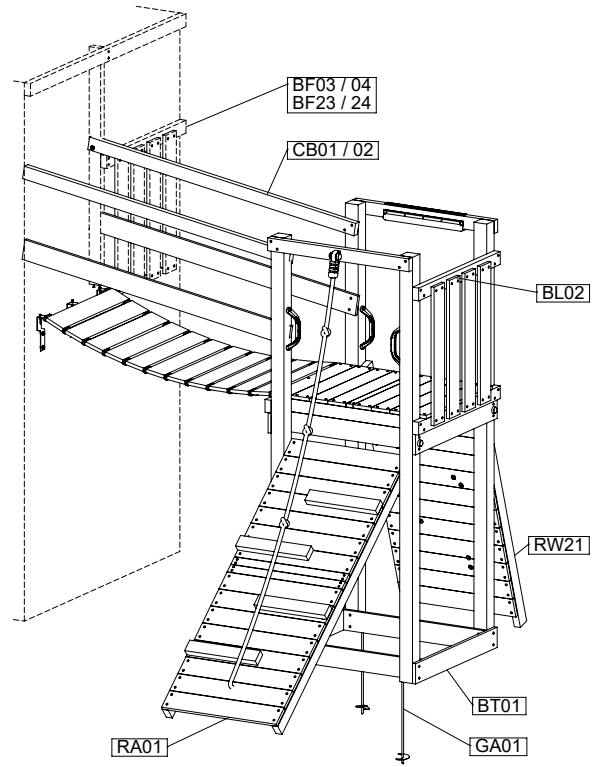
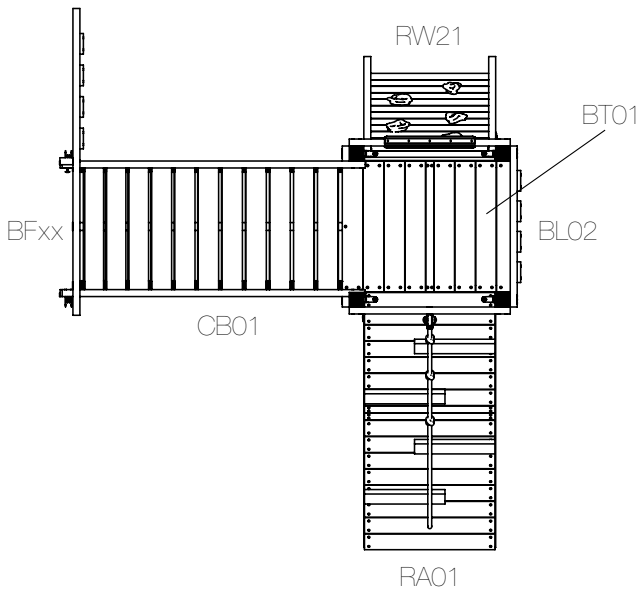


# Dimensions Abmessungen Dimensions



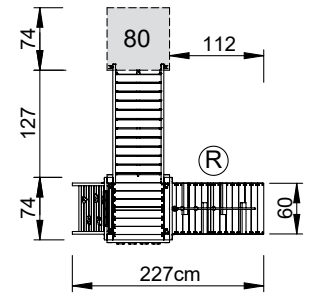
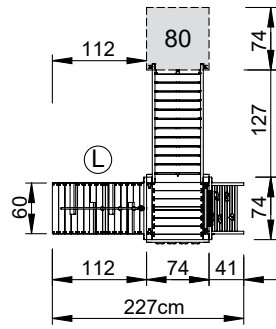


# Assembly sequence Montagereihenfolge Séquence d'assemblage

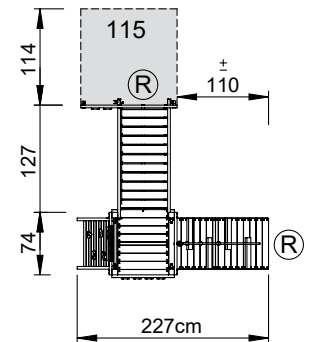
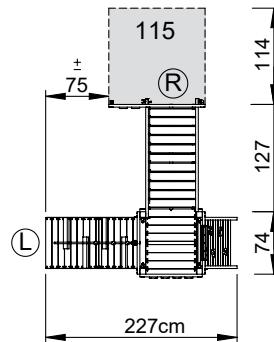
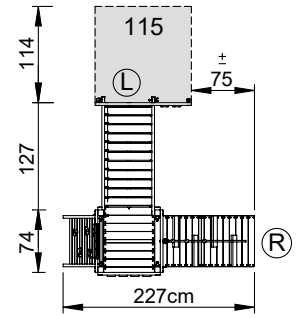
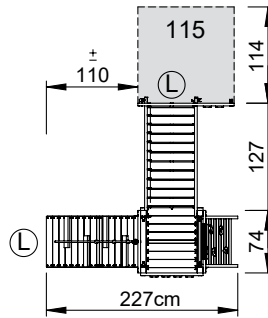


# 01-1 Lay-out options & dimensions

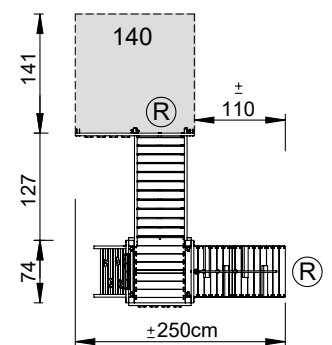
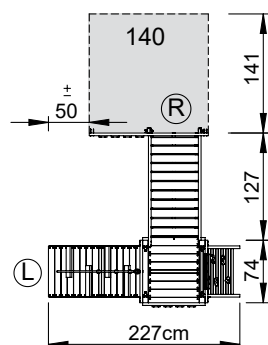
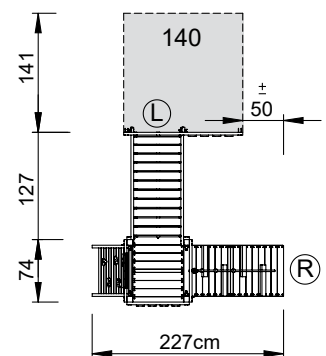
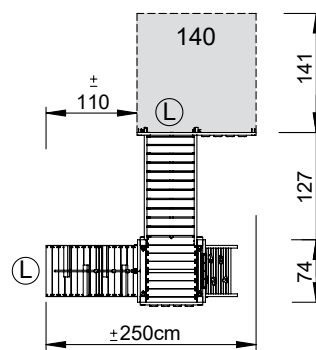
## Base Tower 80



## Base Tower 115



## Base Tower 140



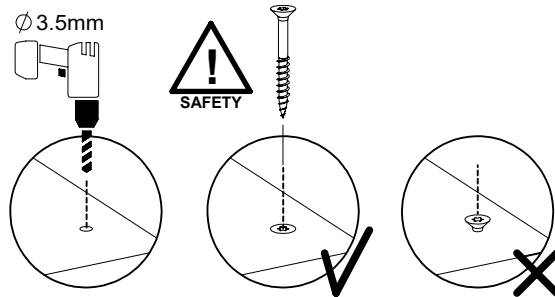
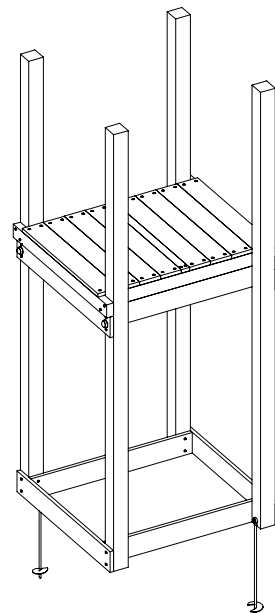
# 02 Base Tower

BT01

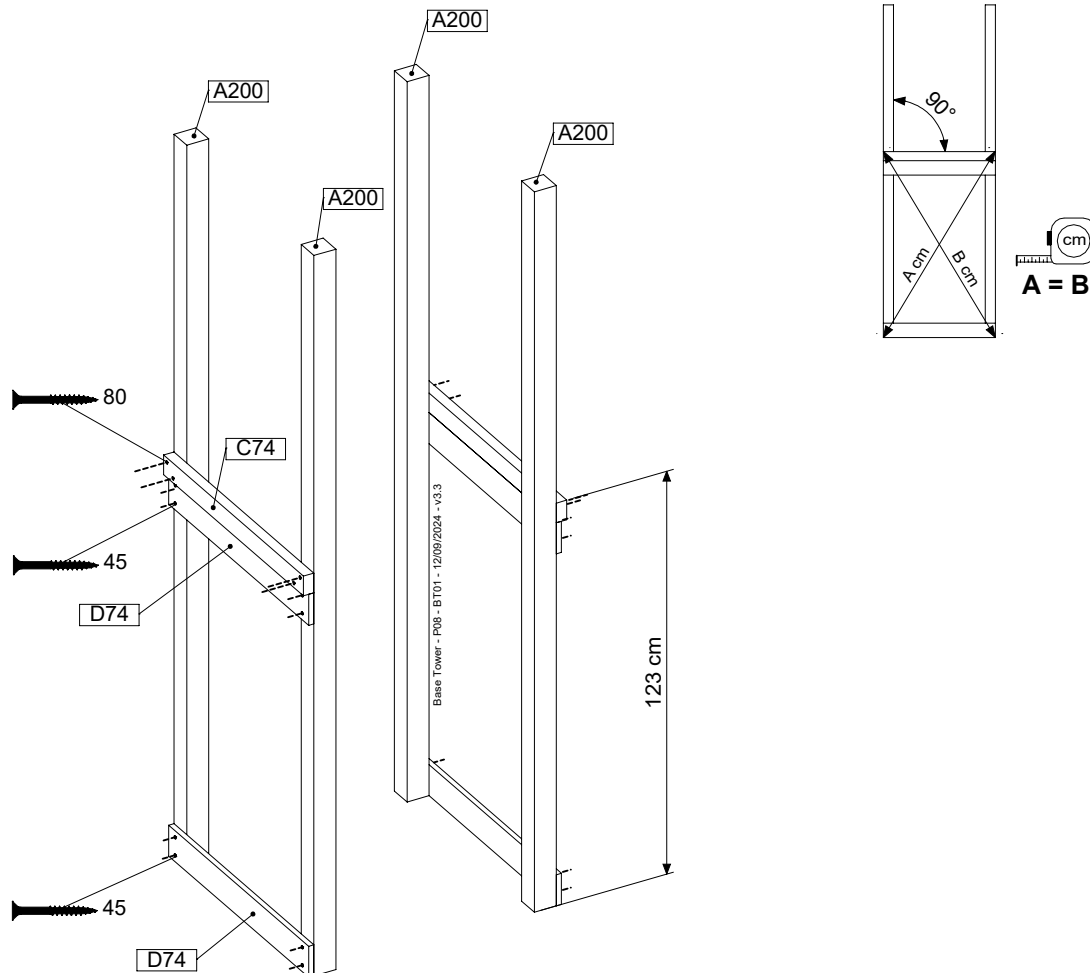
Assembly Pack: 194\_100

	PartNo	PartName	QTY.
Hardware + Parts	001_406	Stealth Screw 8x45	6
	002_220	Gap Point Screw T25 - 5x45	72
	002_223	Gap Point Screw T25 - 5x80	16
	007_001	Ground-anchor	2
	022_31x	bpc-base version 3	4
	022_84x	bpc cover	4
Timber	A200	Post ca.70x70 L2000	4
	C74	Beam 740 mm	4
	D60	Board 600 mm	10
	D74	Board 740 mm	8

Base Tower - P02 - BT01 - 12/09/2024 - v3.3

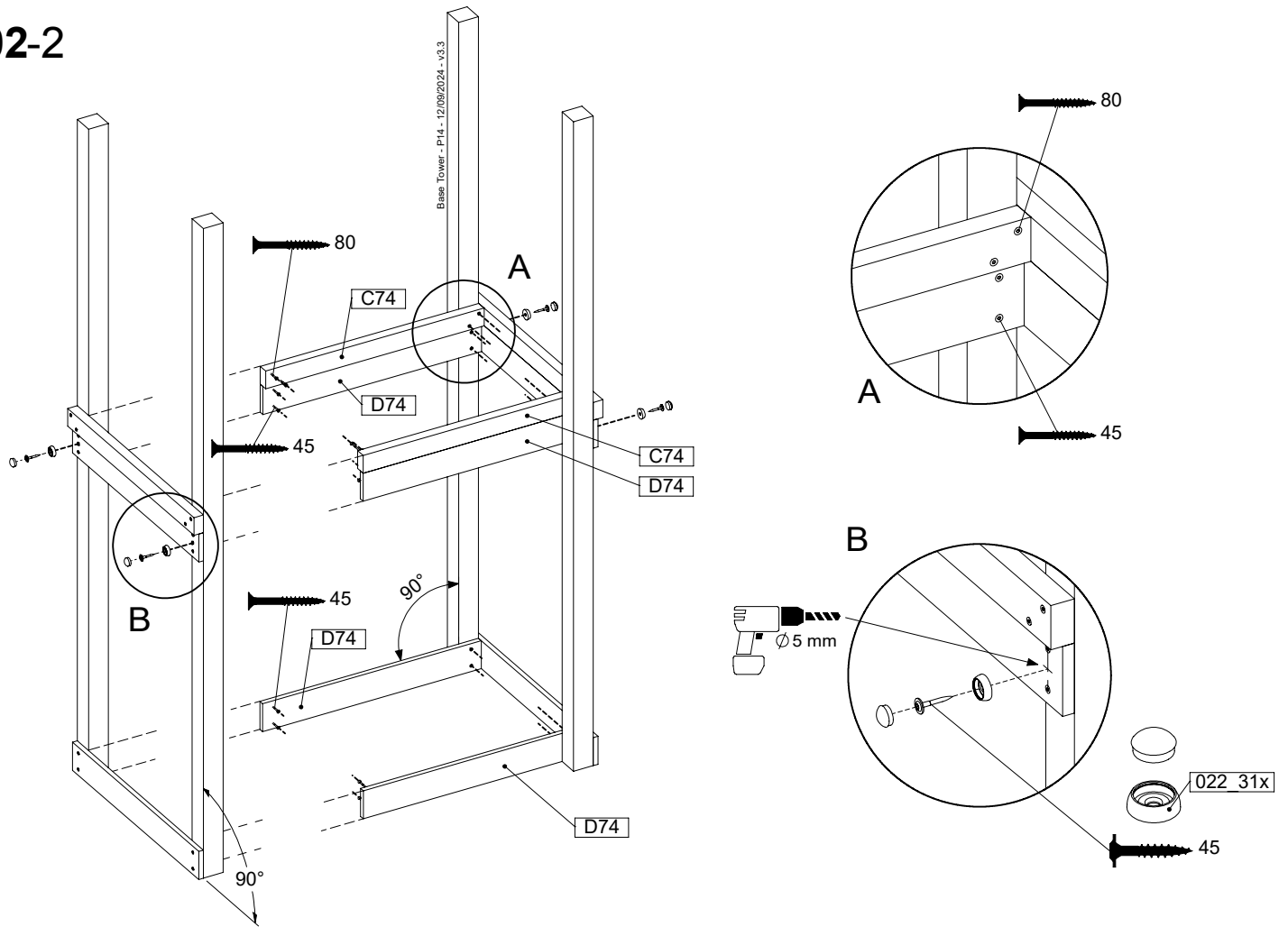


## 02-1

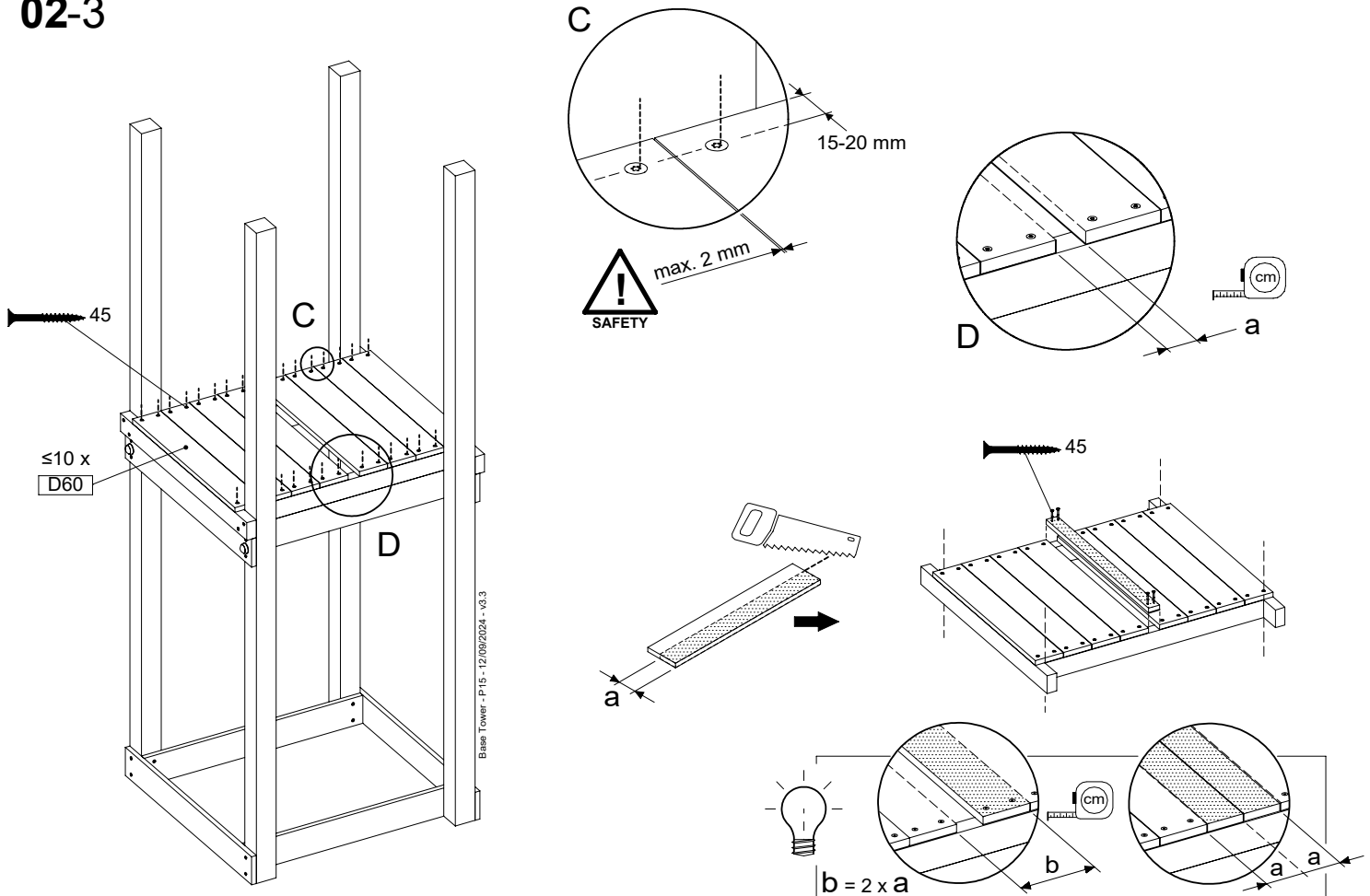


Manual ID: 046\_172\_2712

# 02-2



# 02-3

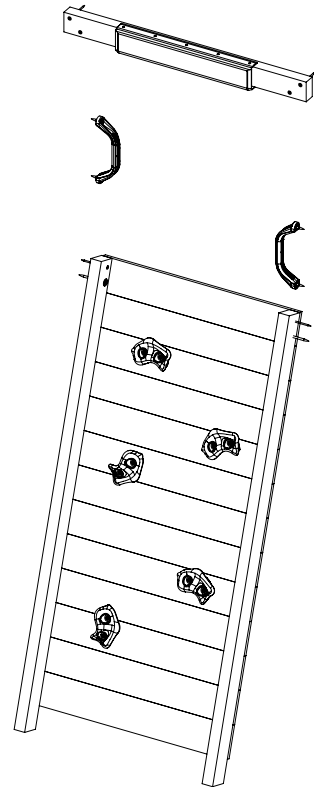


# 03 Rock Wall Diagonal

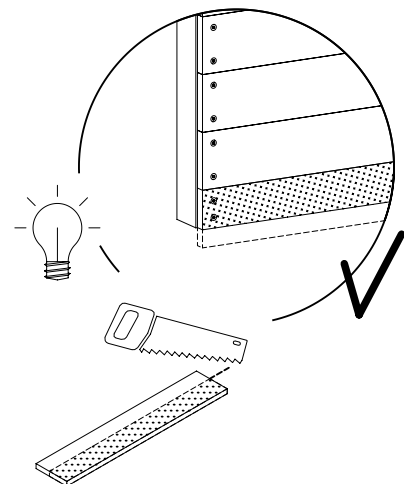
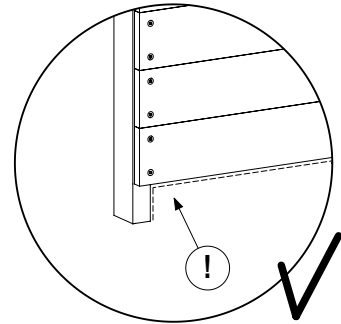
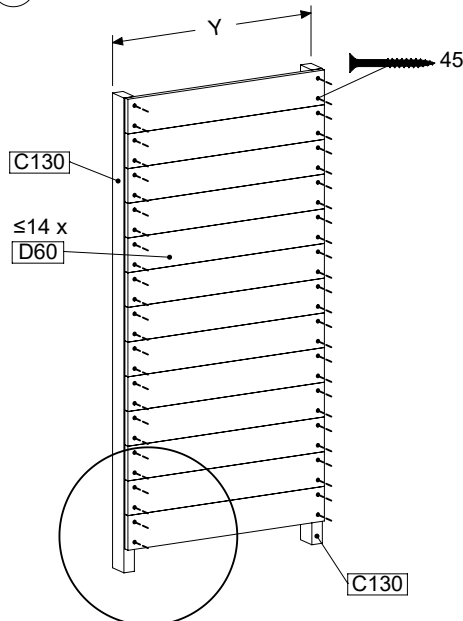
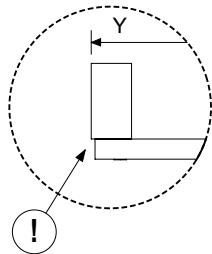
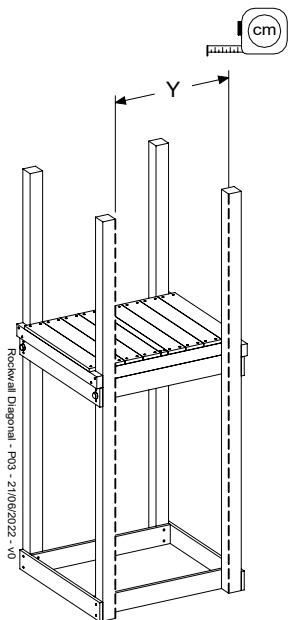
RW21

	PartNo	PartName	QTY.
Hardware Pack	000_101	Nail Pan Head	10
	001_102	Washer Head Screw T40 M8x30	10
	001_404	Stealth Screw 8x30	2
	001_417	Stealth Screw 8x80	2
	002_220	Gap Point Screw T25 - 5x45	56
	002_223	Gap Point Screw T25 - 5x80	6
	003_010	M8 spring lock washer	10
	004_050	M8 Drive-in Nut 22mm	10
Other	005_514	Ladder Bracket	1
	022_50x	Climbing Rock	5
	120_102	Handgrip set (2x Complete)	1
	123_200	Bumperpad	1
Timber	C74	Beam 740 mm	1
	C130	Beam 1300 mm	2
	D60	Board 600 mm	14

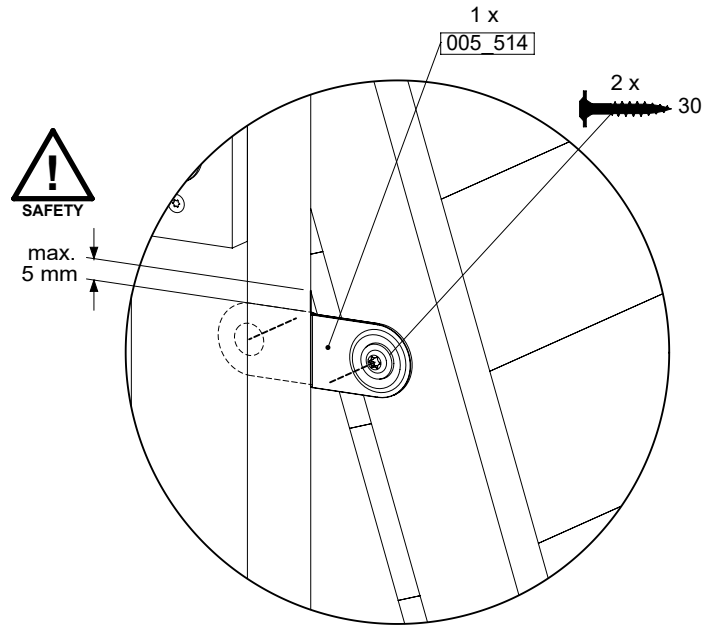
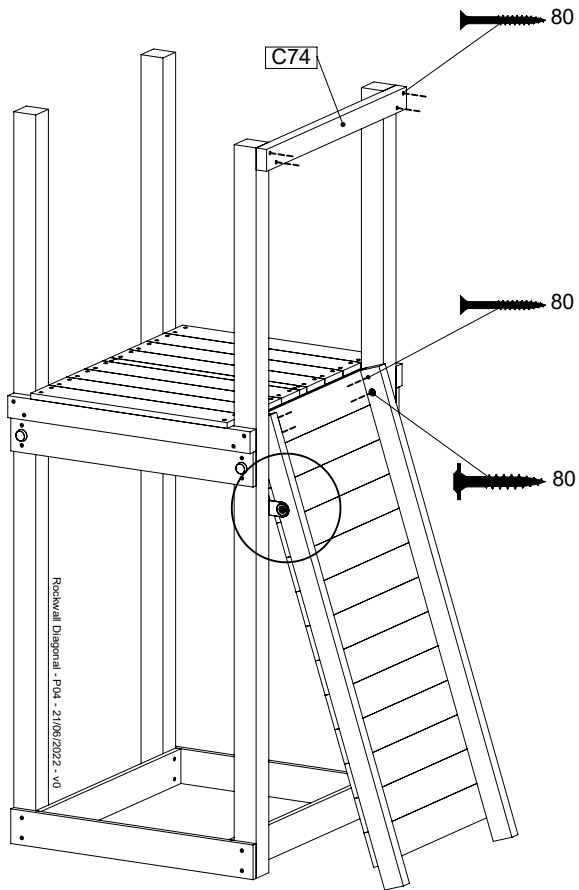
Rockwall Diagonal - P02 - 21/08/2022 - v0



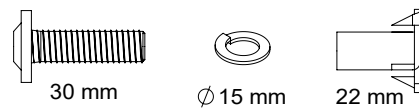
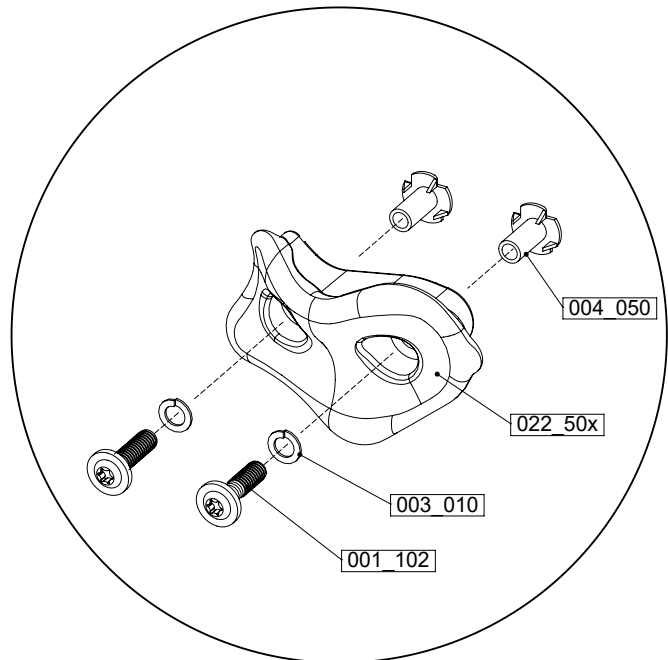
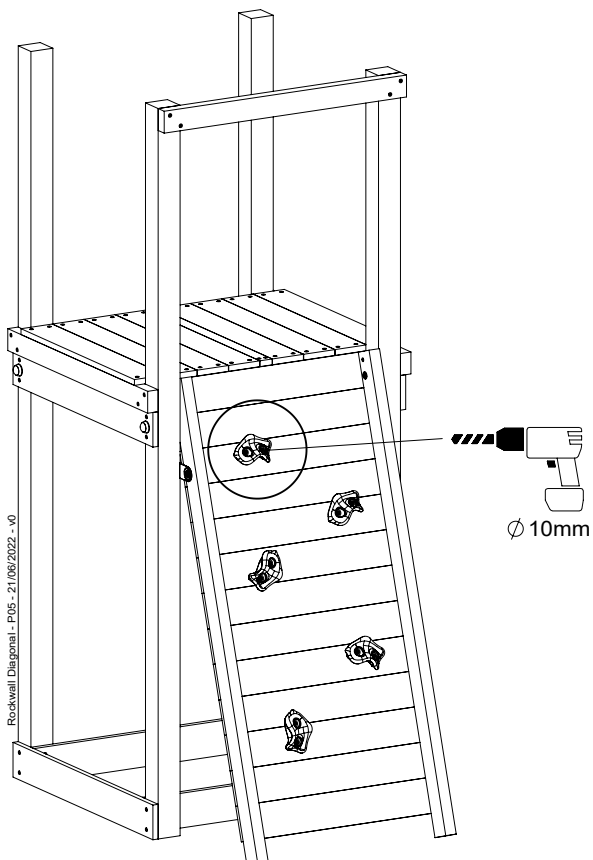
## 03-1



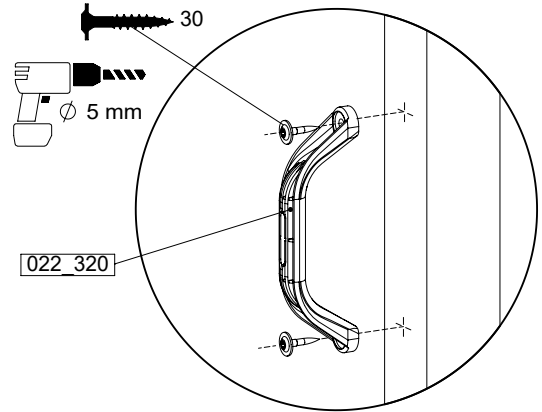
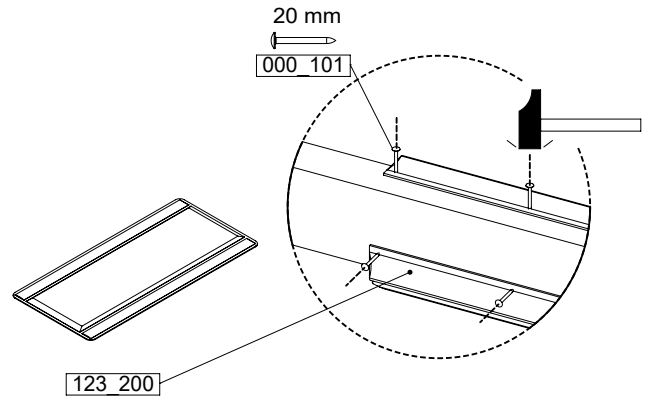
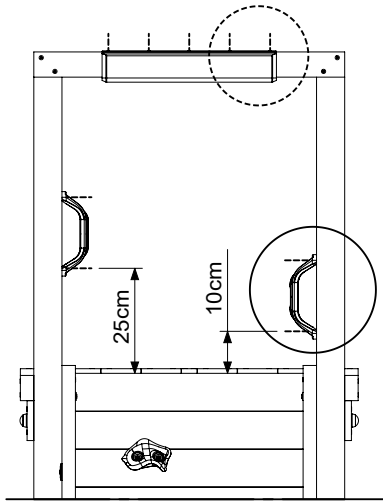
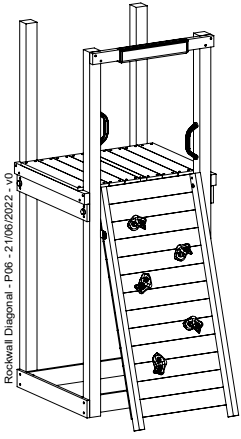
### 03-2



### 03-3



# 03-4





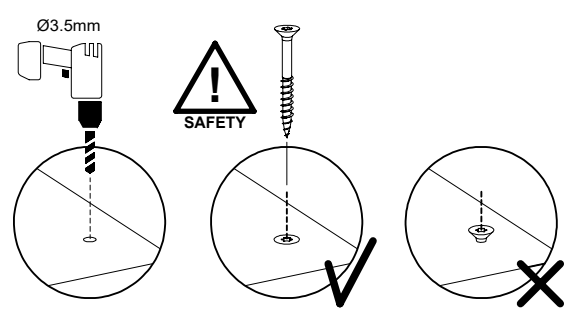
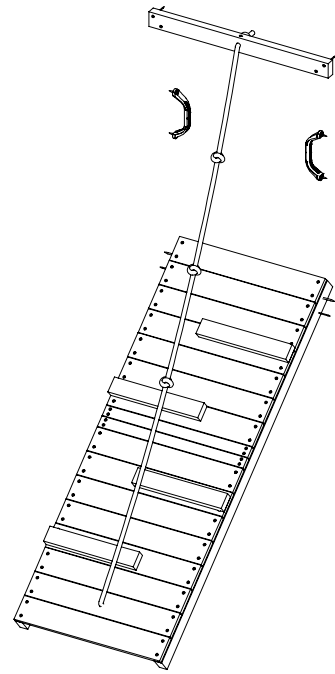
# 04 Ramp

RA01

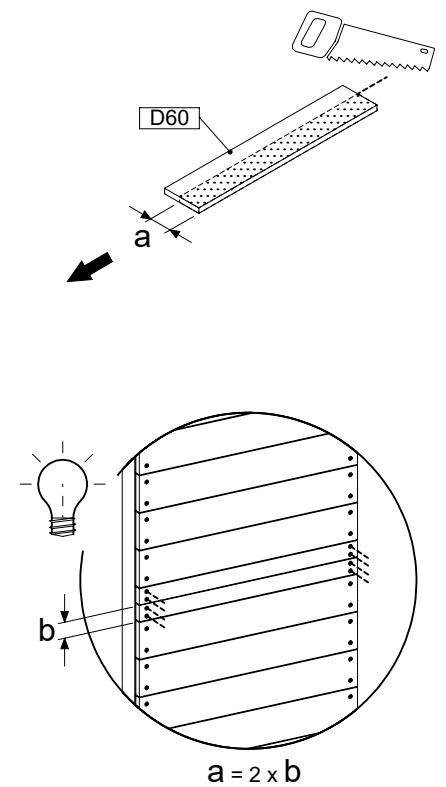
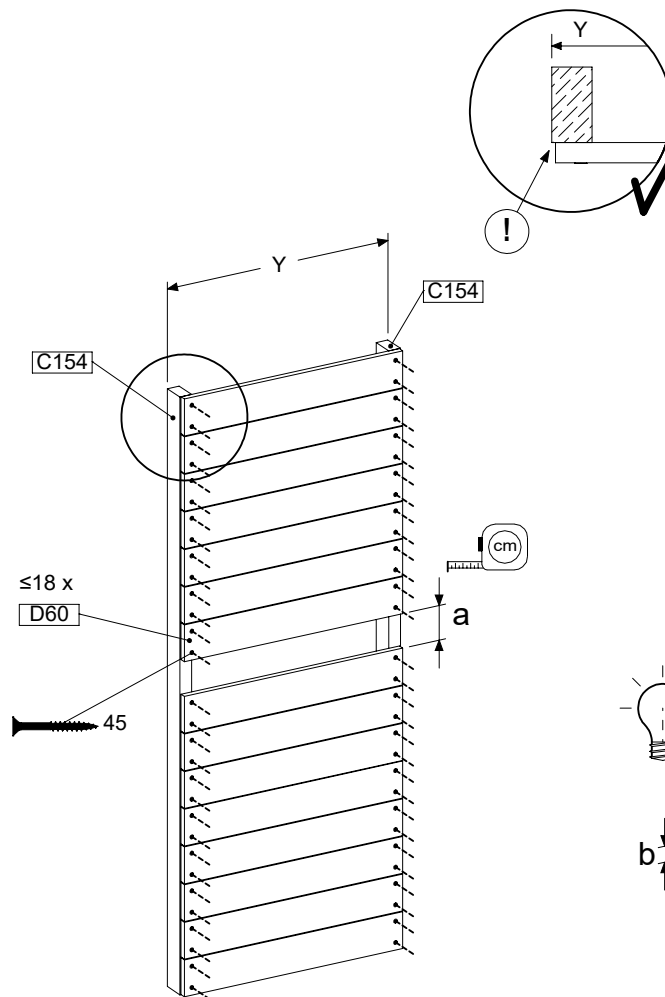
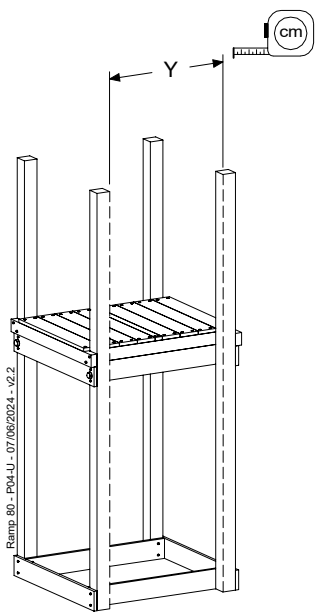
Assembly Pack: 194\_008

	PartNo	PartName	QTY.
Hardware + Parts	001_404	Stealth Screw 8x30	2
	001_417	Stealth Screw 8x80	2
	002_220	Gap Point Screw T25 - 5x45	85
	002_223	Gap Point Screw T25 - 5x80	6
	005_514	Ladder Bracket	1
	020_317	Rope Polyester 16mm Green 3.4m	1
	120_102	Handgrip set (2x Complete)	1
Timber	C37	Beam 370 mm	4
	C74	Beam 740 mm	1
	C154	Beam 1540 mm	2
	D60	Board 600 mm	18

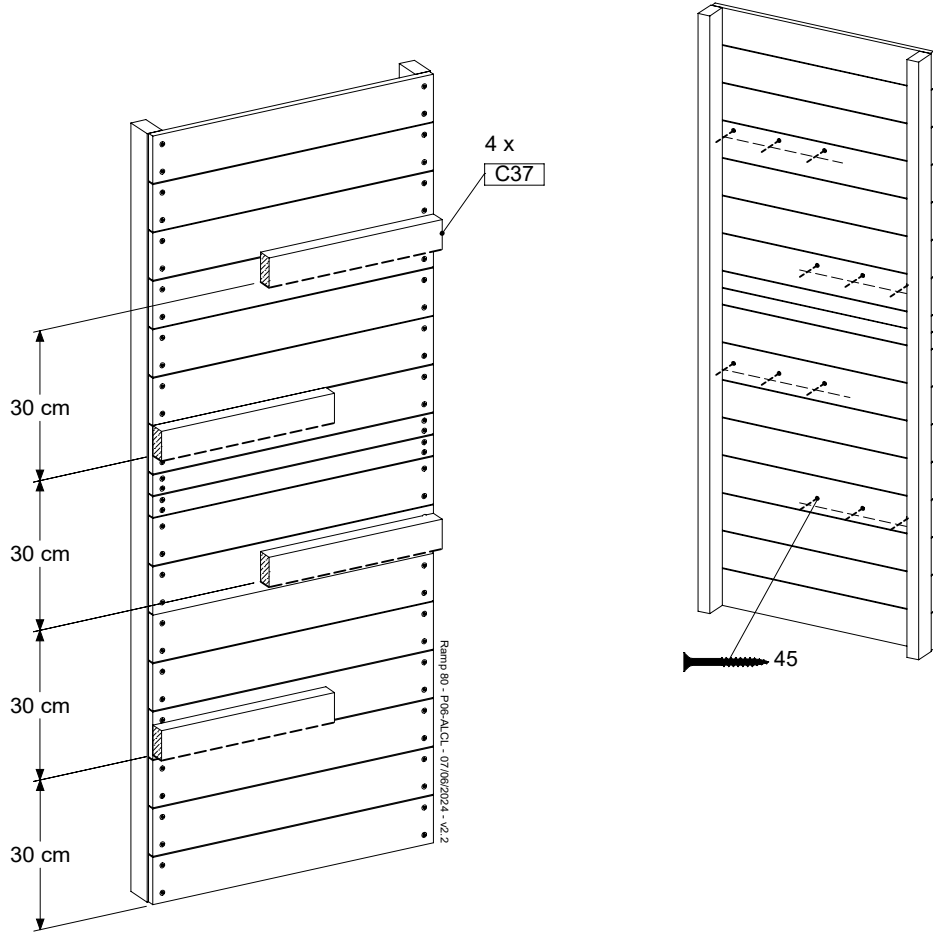
Ramp\_80 - P02-1beam - 07/06/2024 - v2.2



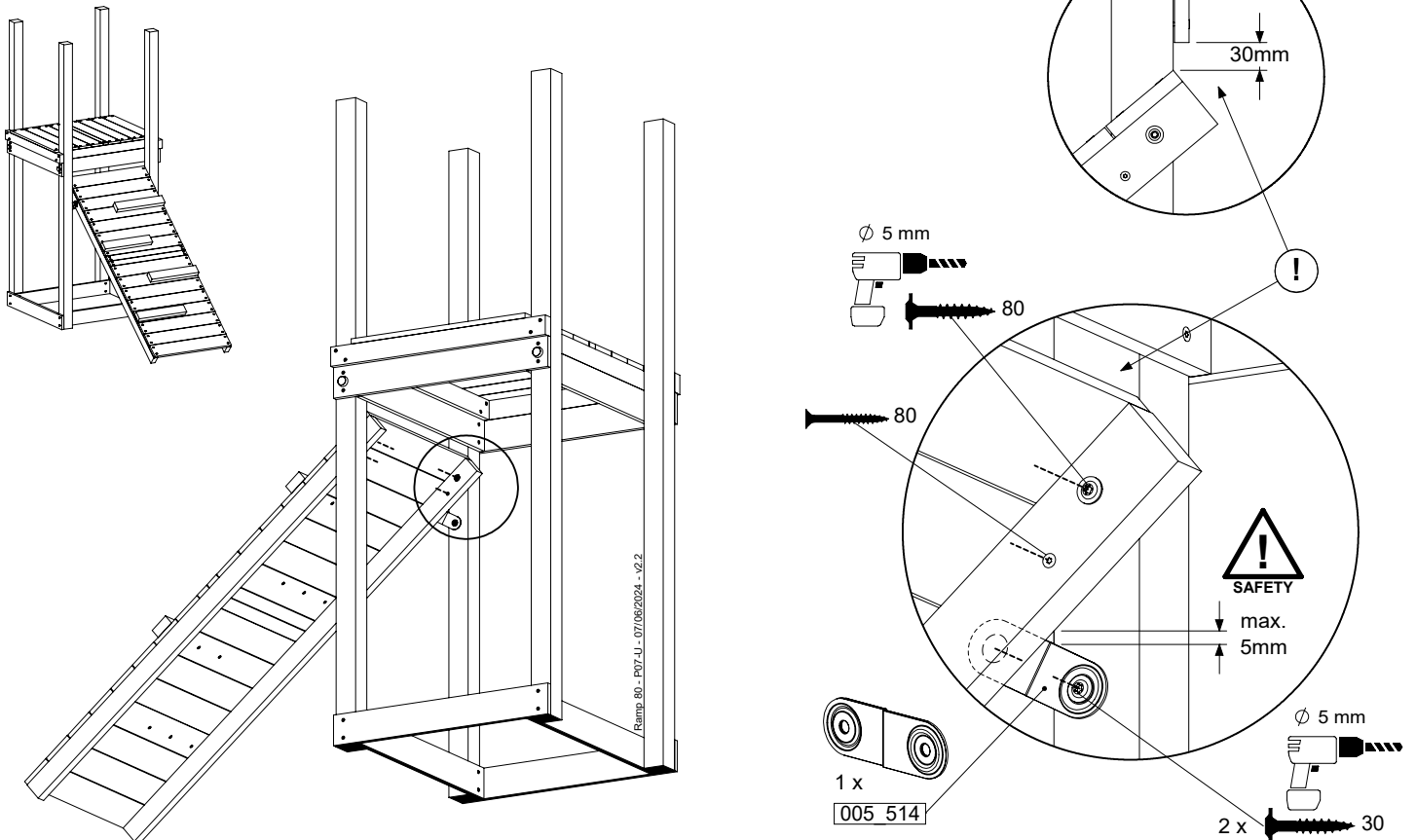
## 04-1



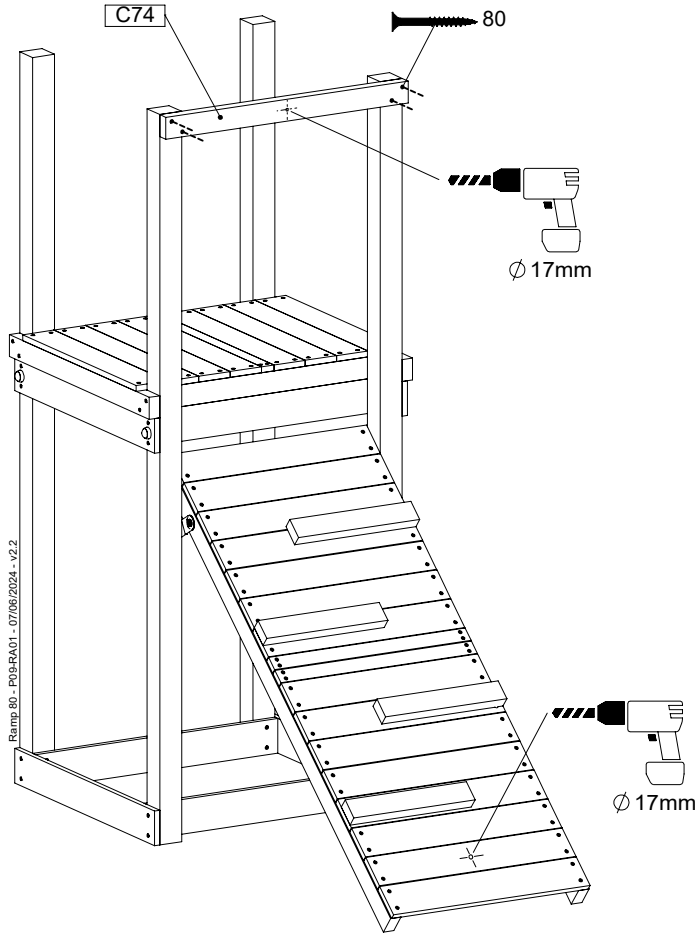
# 04-2



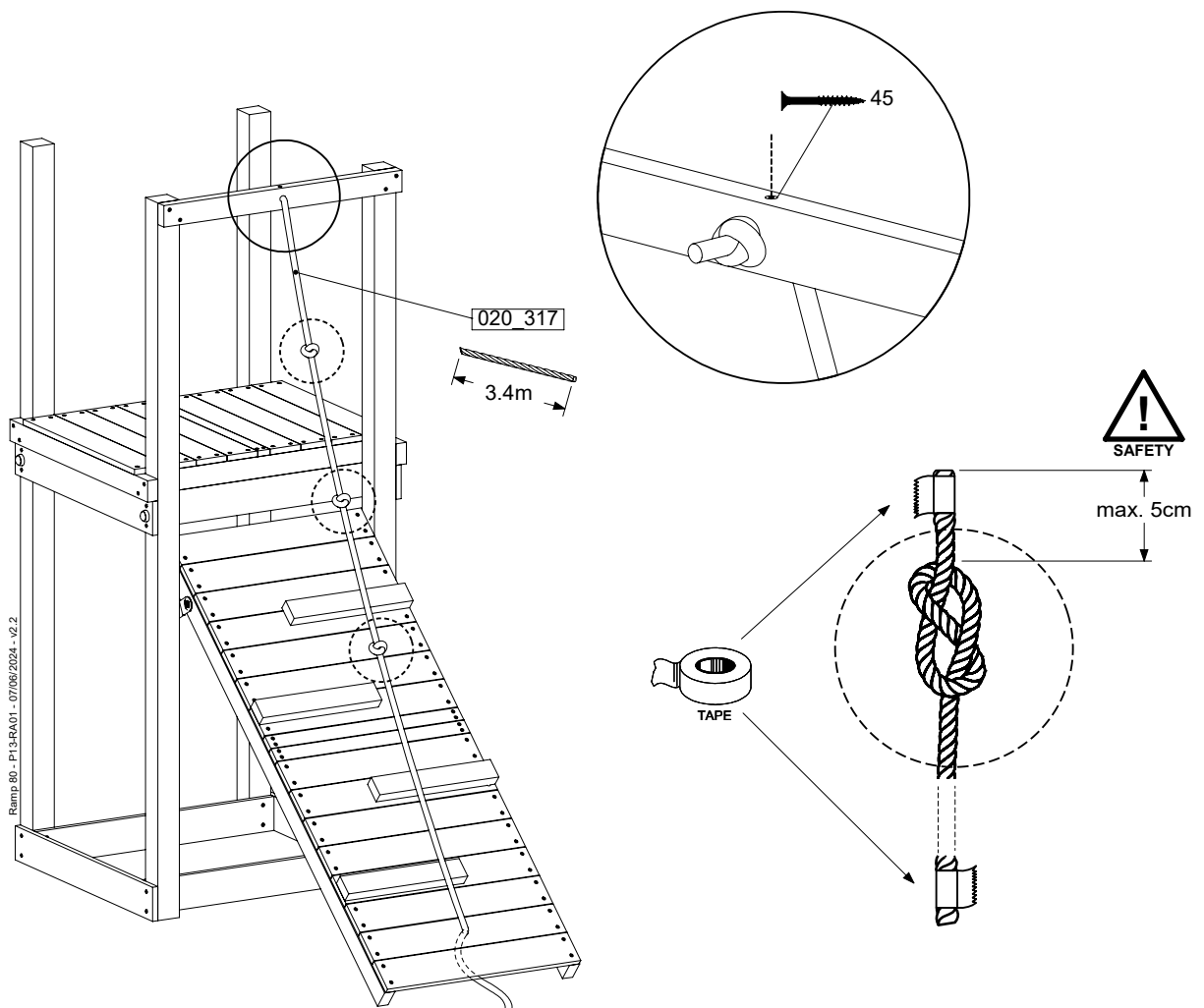
# 04-3



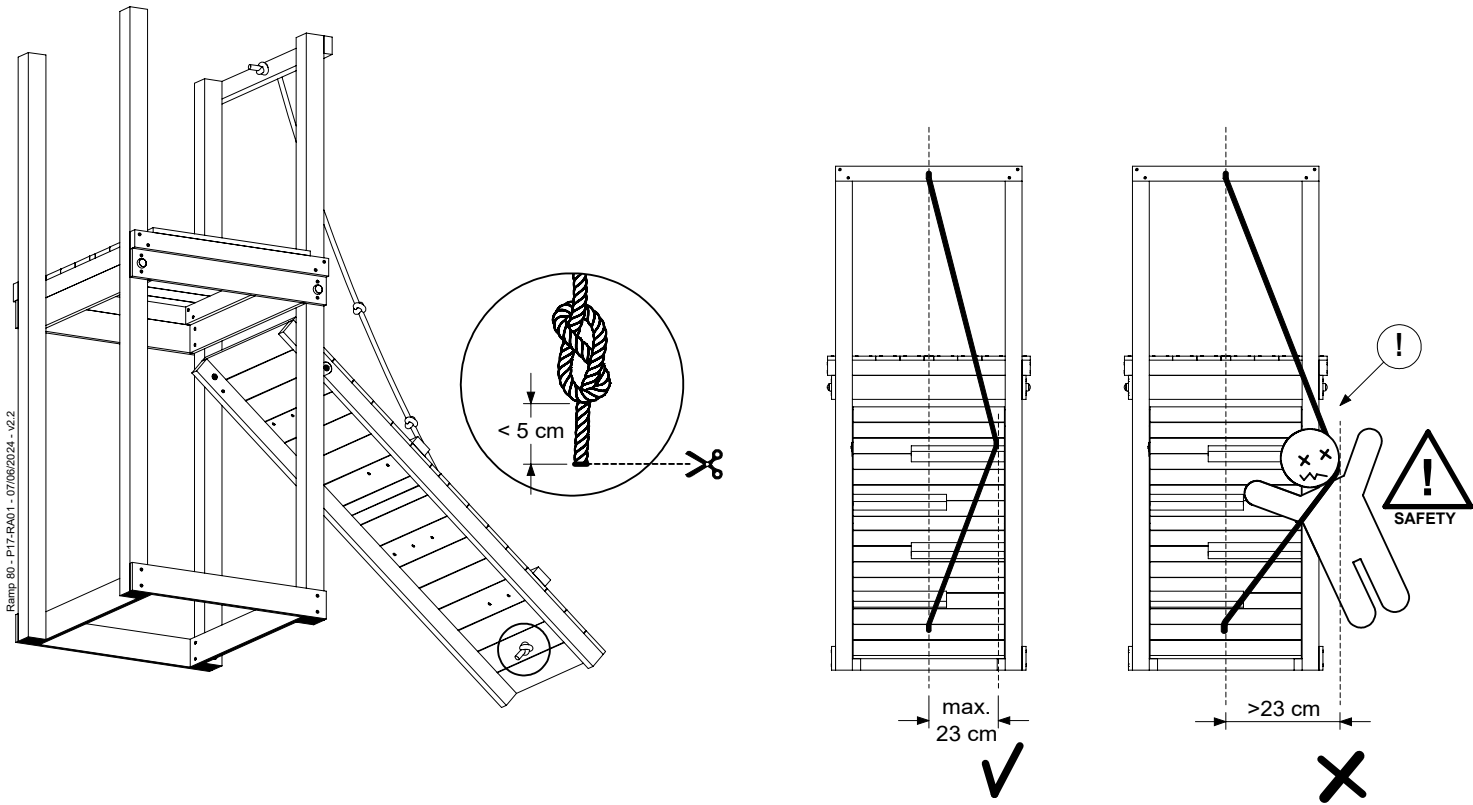
# 04-4



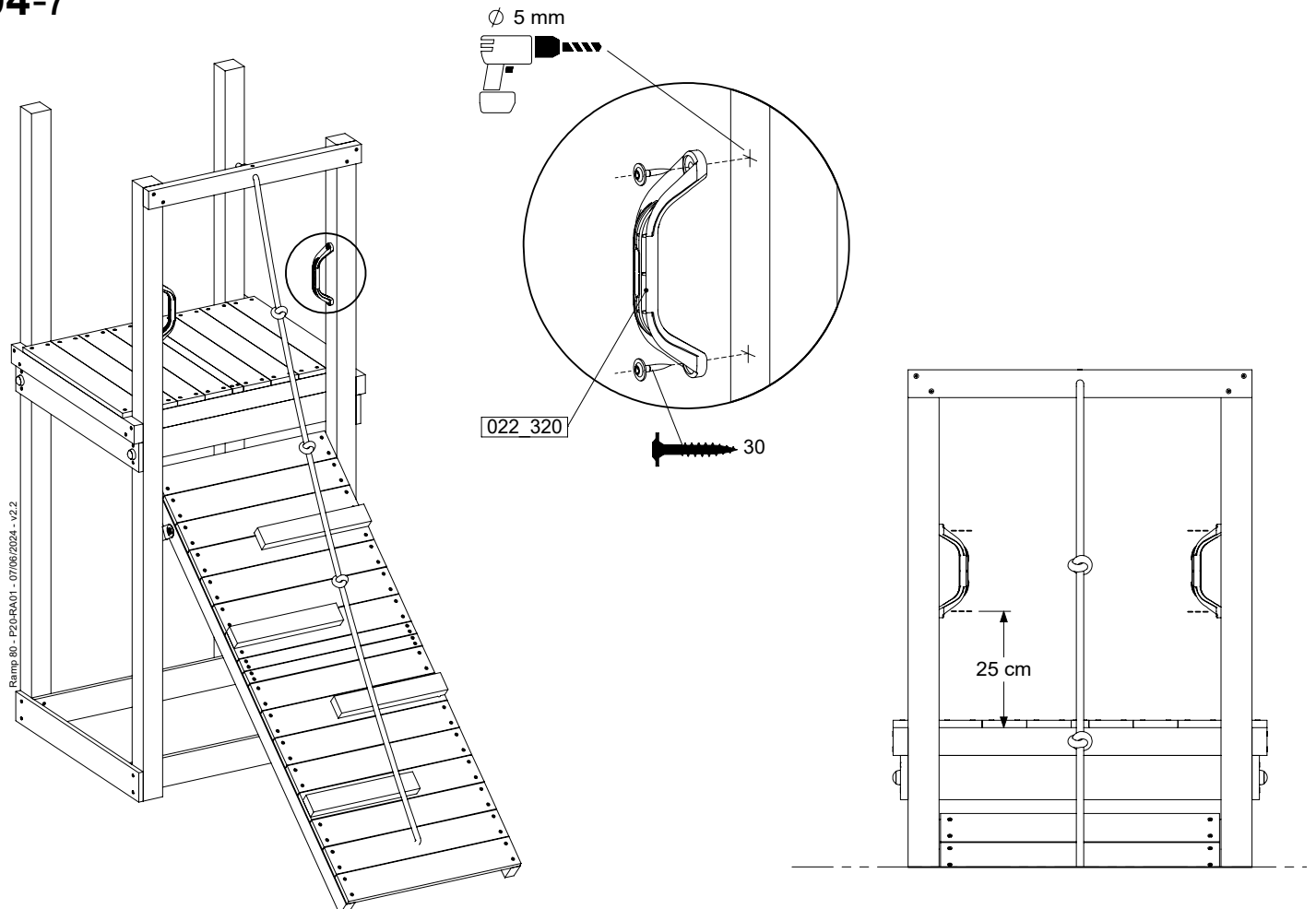
# 04-5



# 04-6



# 04-7



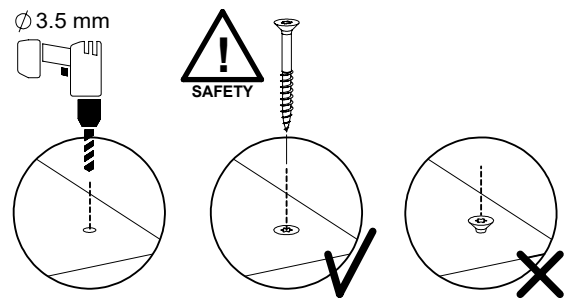
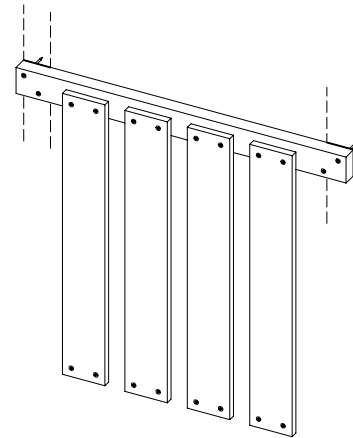
# 05 Balustrade

BL02

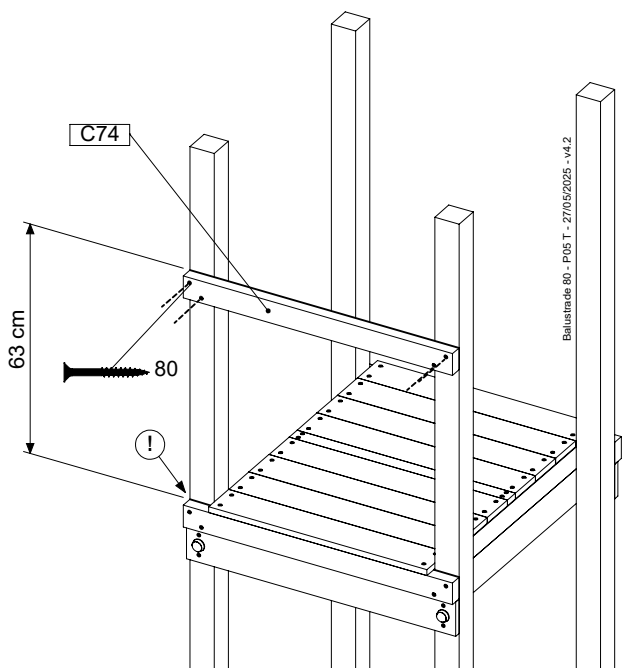
Assembly Pack: 194\_101

	PartNo	PartName	QTY.
Hardware + Parts	002_220	Gap Point Screw T25 - 5x45	16
	002_223	Gap Point Screw T25 - 5x80	4
Timber	C74	Beam 740 mm	1
	D65	Board 650 mm	4

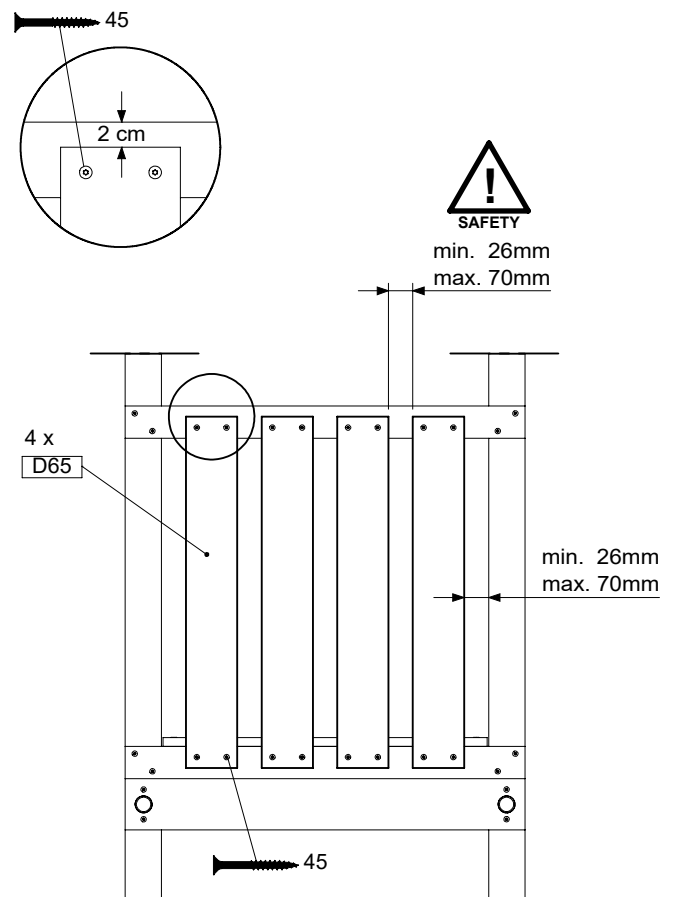
Balustrade 80 - PO3 T - 27/05/2025 - v4.2



## 05-1



Balustrade 80 - PO3 T - 27/05/2025 - v4.2



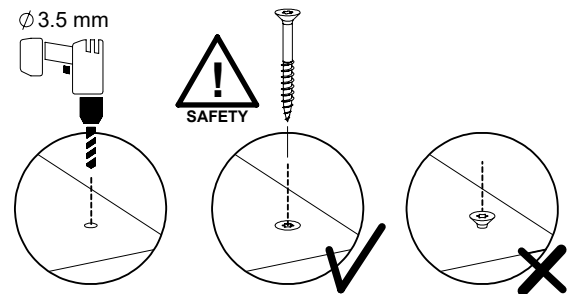
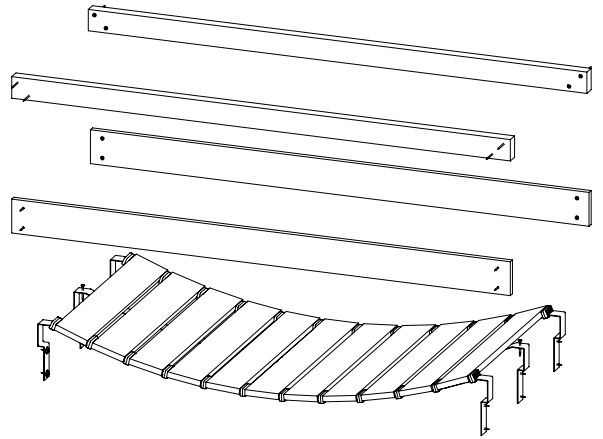
# 06 Clatter Bridge

CB01-part01

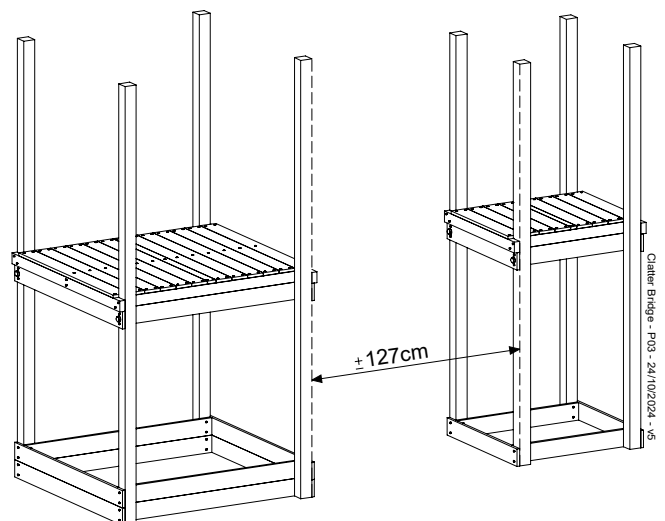
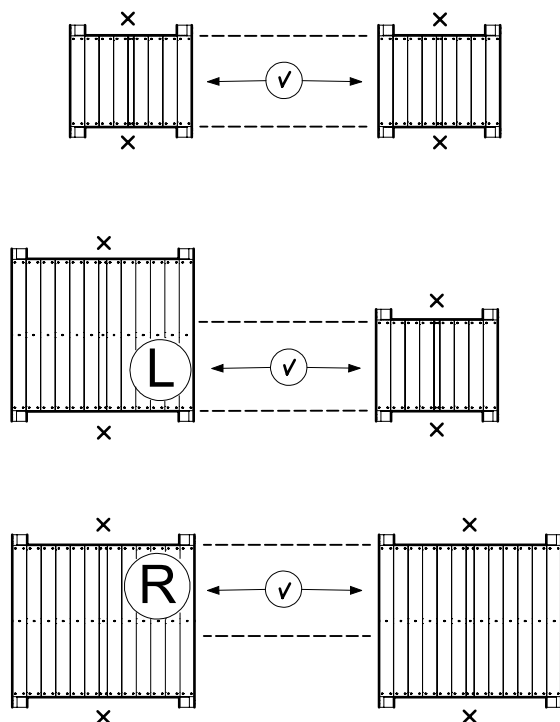
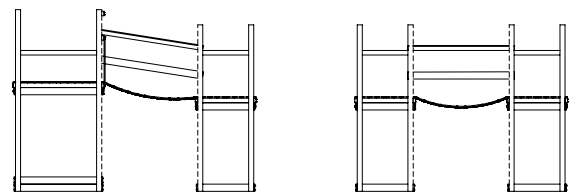
Assembly Pack: 194\_011

	PartNo	PartName	QTY.
Hardware + Parts	002_220	Gap Point Screw T25 - 5x45	10
	002_223	Gap Point Screw T25 - 5x80	12
	002_308	Gap Point Screw T25 - 5x20	72
	022_911	Bridge Spacer	26
	023_031	Finishing Washer GPS 5.0	72
	121_114	BridgeLink Strap 210cm	3
Timber	C141	Beam 1410 mm	2
	D60	Board 600 mm	12
	D141	Board 1410 mm	2

Clatter Bridge - P02 - 24/10/2024 - v5

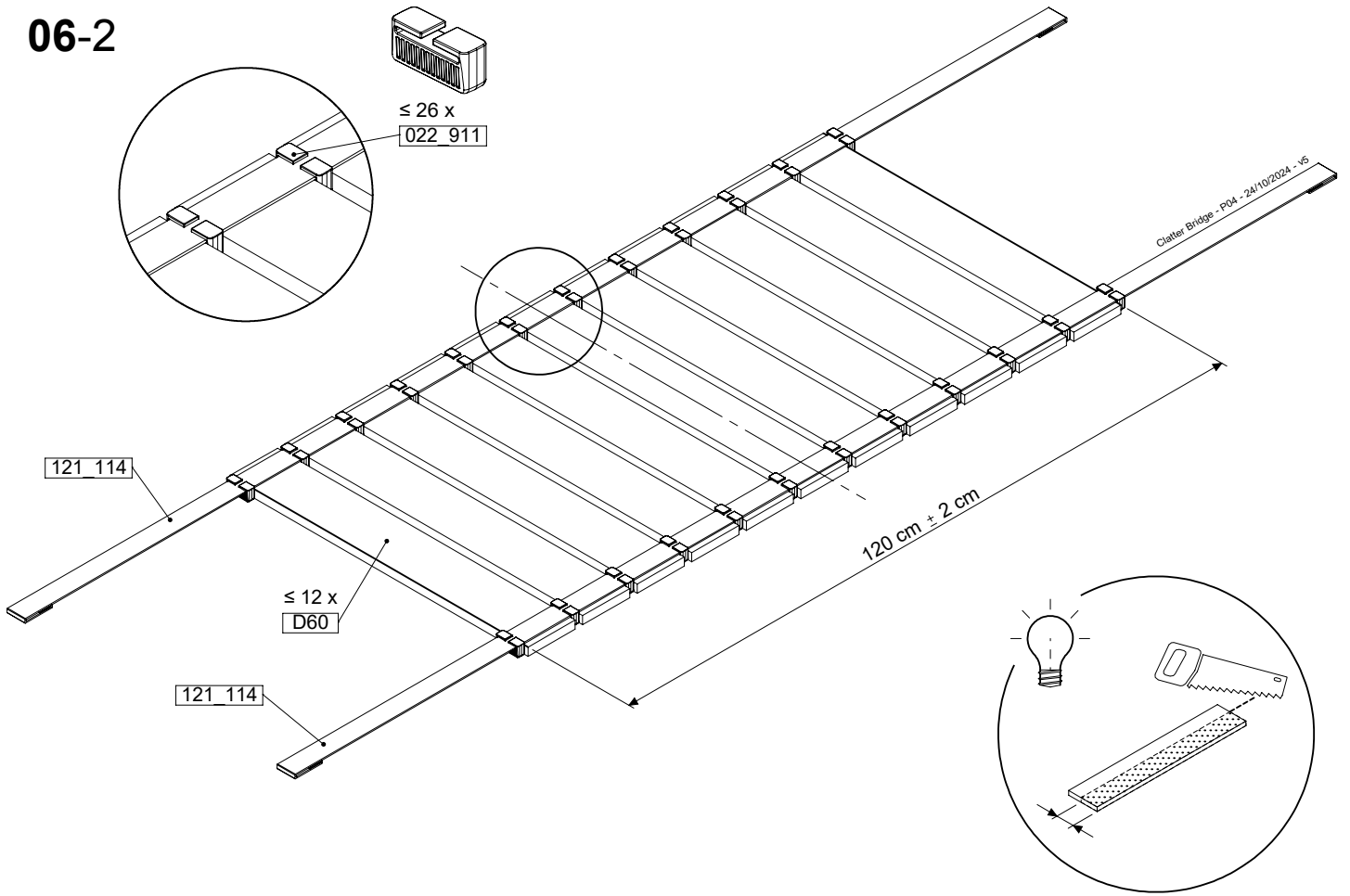


## 06-1

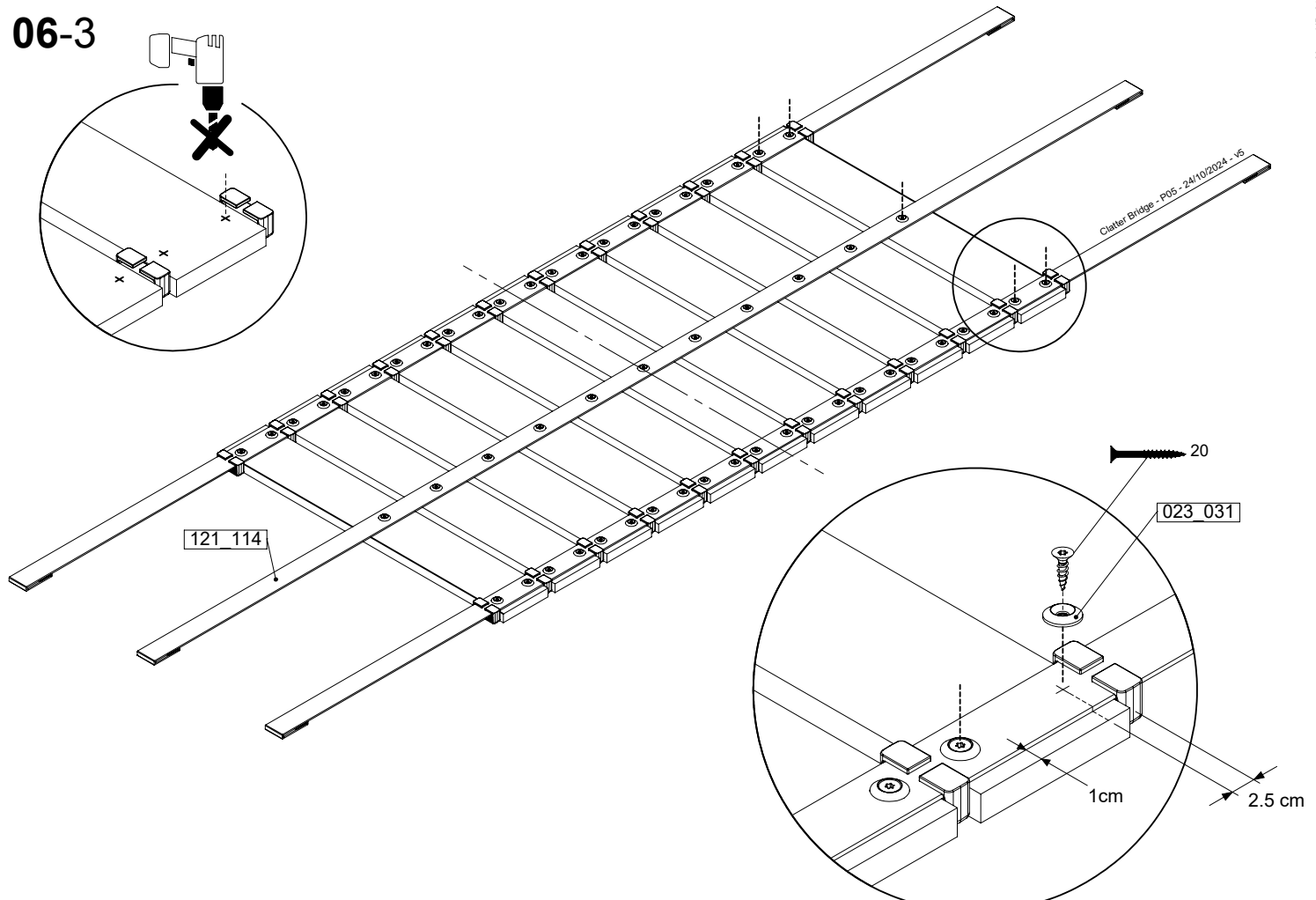


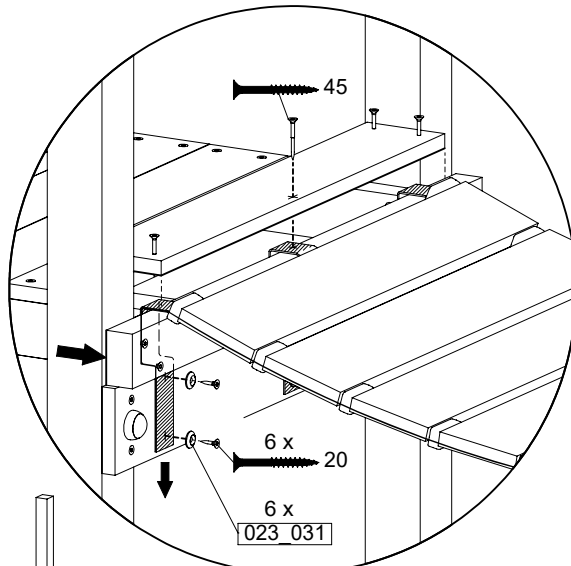
Clatter Bridge - P03 - 24/10/2024 - v5

# 06-2

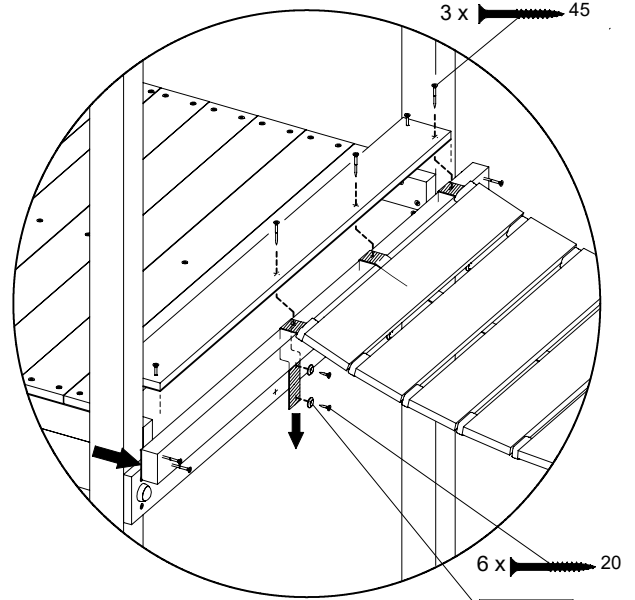


# 06-3

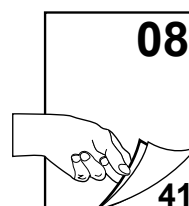
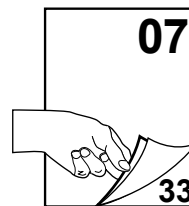
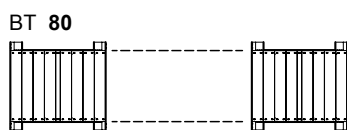
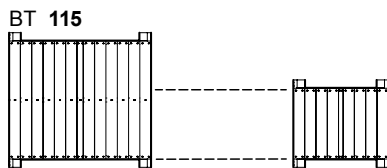
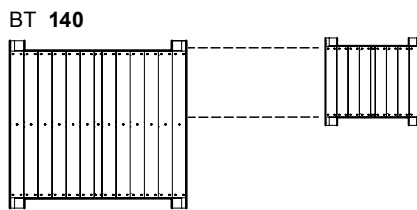
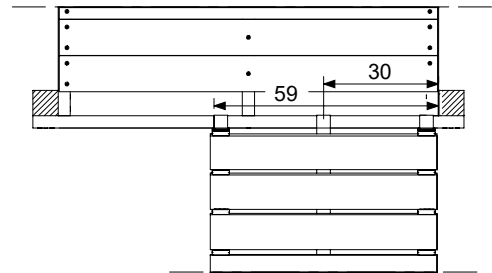
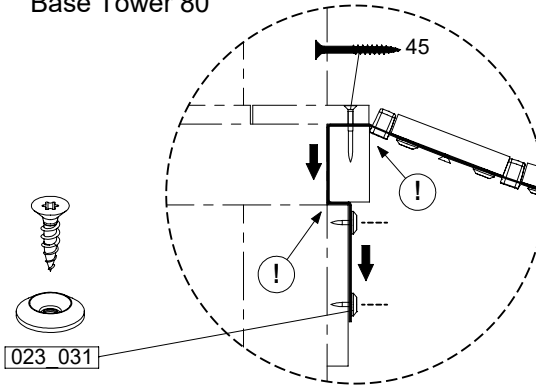
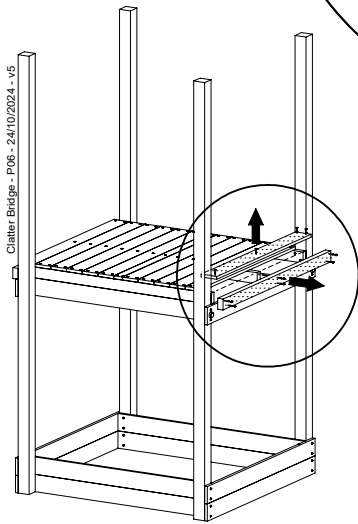




Base Tower 80



Base Tower 115  
Base Tower 140

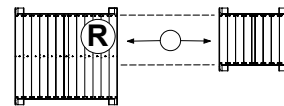
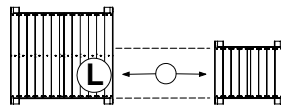




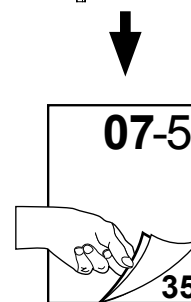
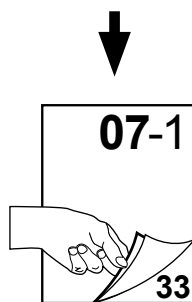
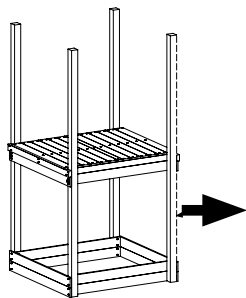
# 07 Bridge Frame

BF03/04

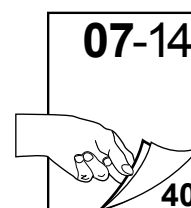
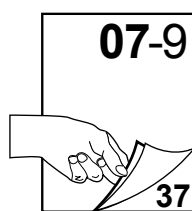
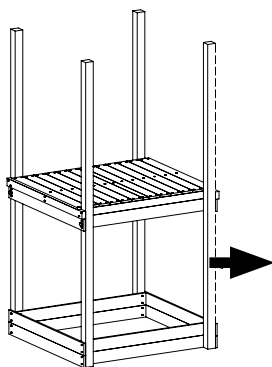
BF23/24



Base Tower 115  
( BT07 - BT15 )

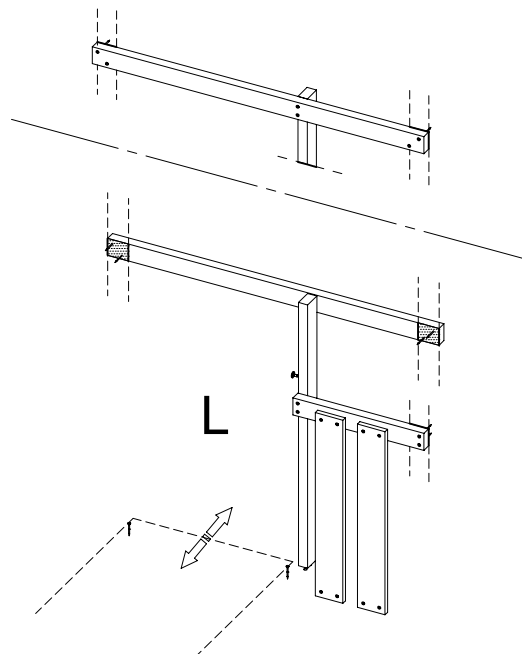


Base Tower 140  
( BT19 - BT20 )



## 07-1 Bridge Frame 115

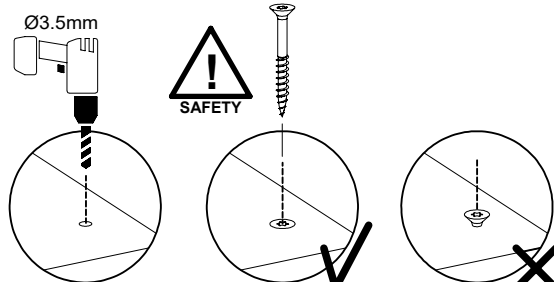
BF03



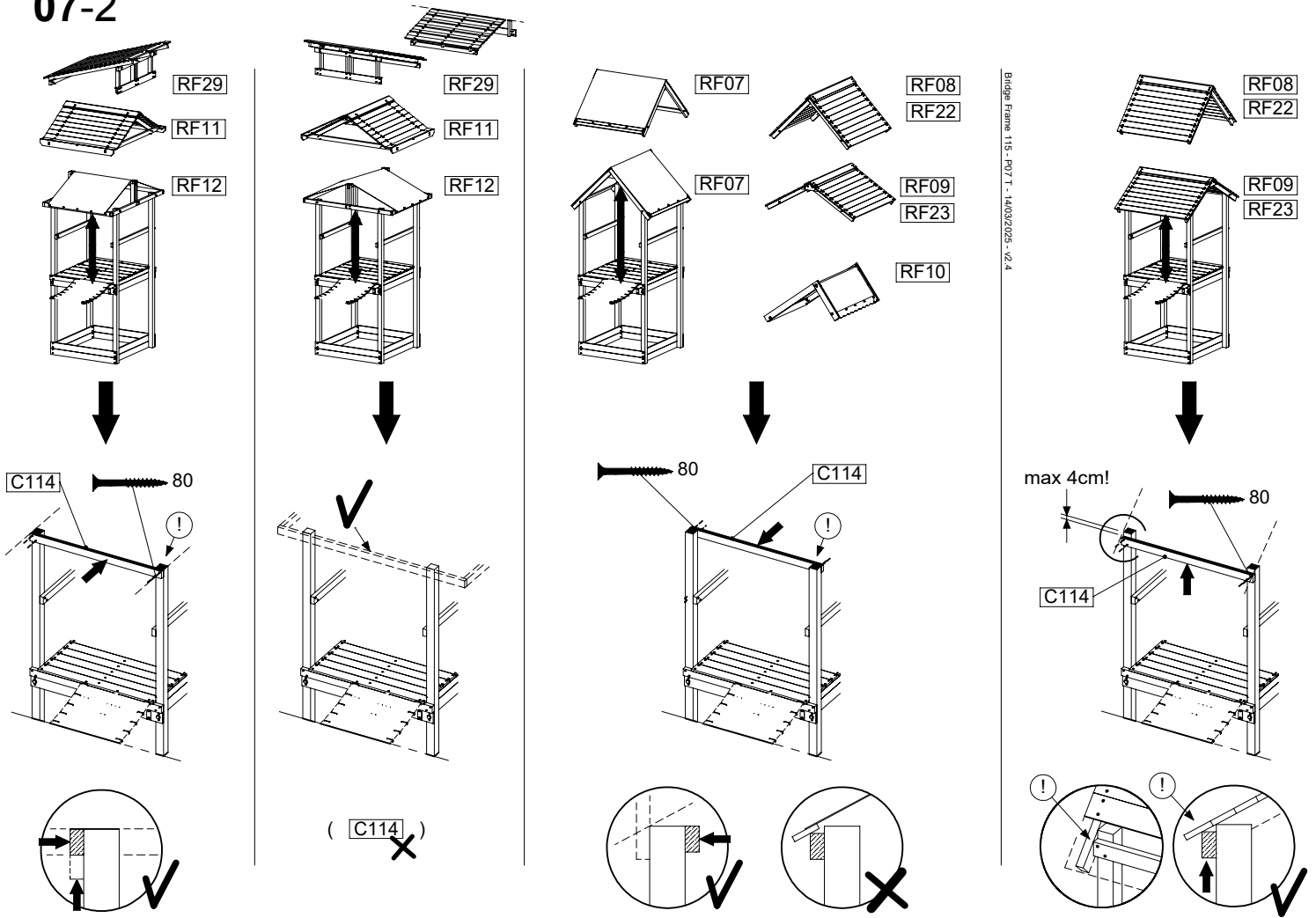
Assembly Pack: 194\_007 (a) / 194\_802(b)

	PartNo	PartName	QTY.
Hardware + Parts	001_411	Stealth Screw 8x60	1
	002_220	Gap Point Screw T25 - 5x45	10
	002_223	Gap Point Screw T25 - 5x80	12
Timber	C74	Beam 740 mm	1
	C114	Beam 1140 mm	1
	C141	Beam 1410 mm	1
	D65	Board 650 mm	2

Bridge Frame 115 - P04 TL - 14/03/2025 - v2.4

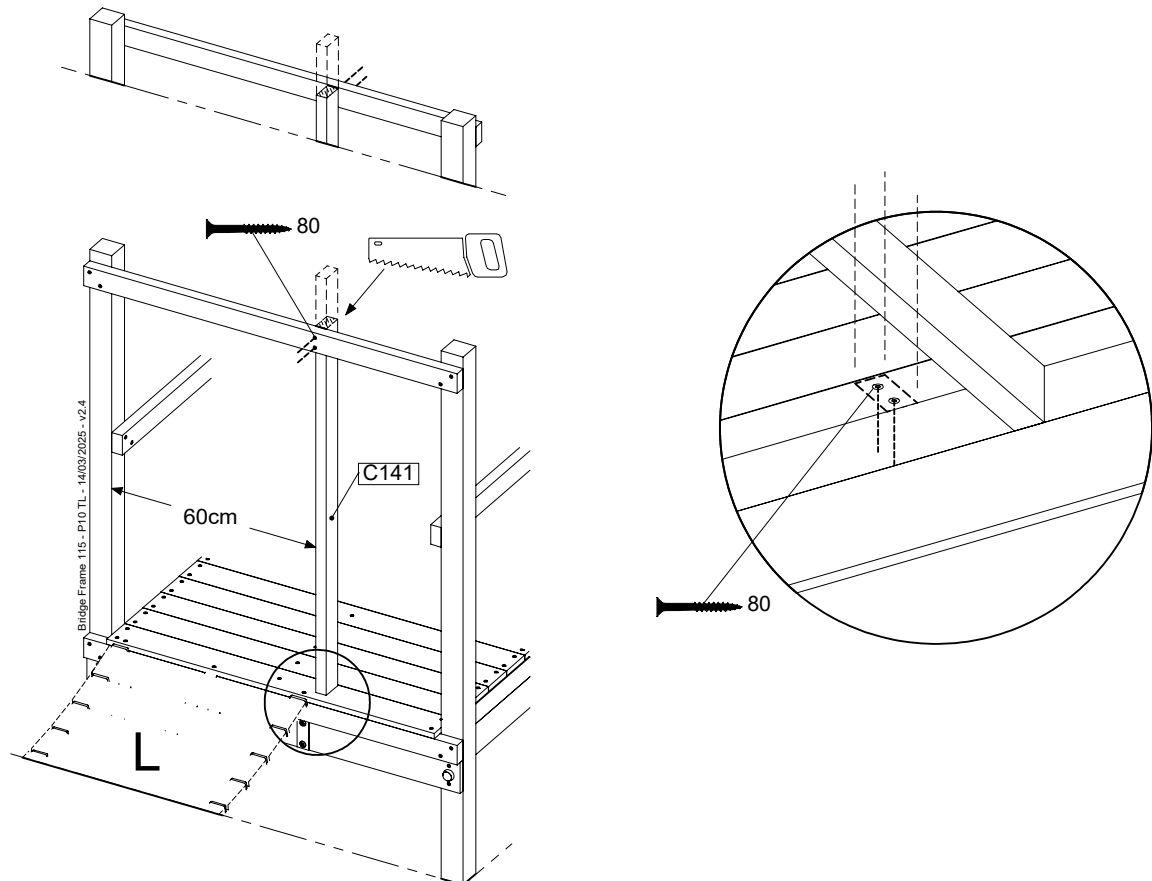


# 07-2



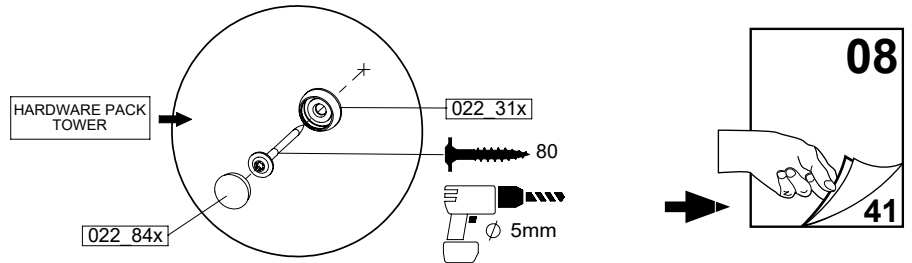
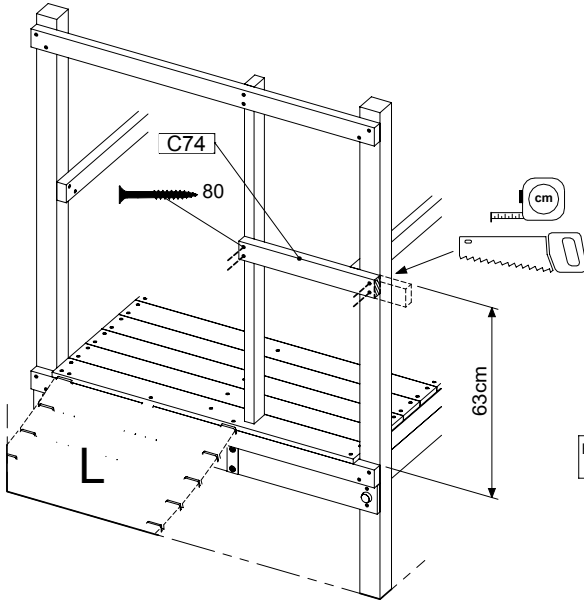
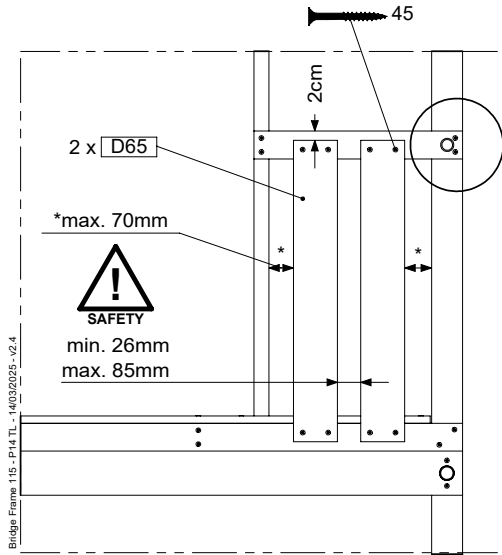
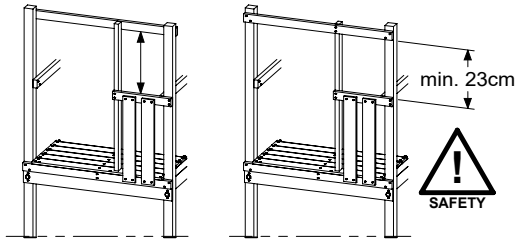
Bridge Frame 115 - P07 - 1403/2025 - V2.4

# 07-3



Bridge Frame 115 - P10 TL - 1403/2025 - V2.4

# 07-4

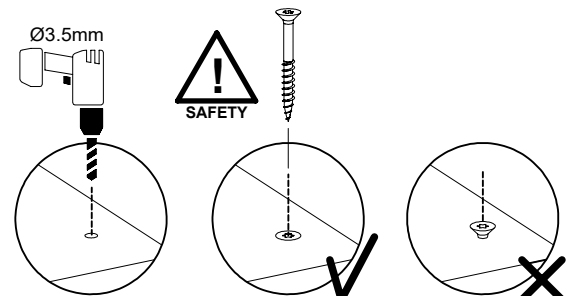
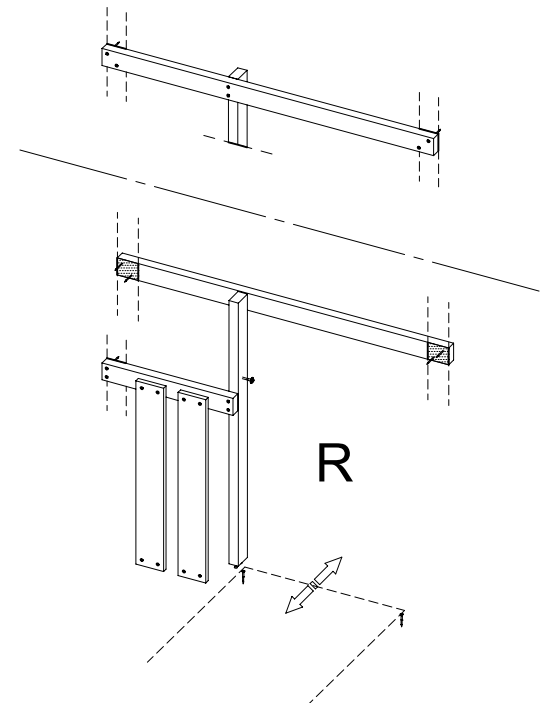


# 07-5 BF04

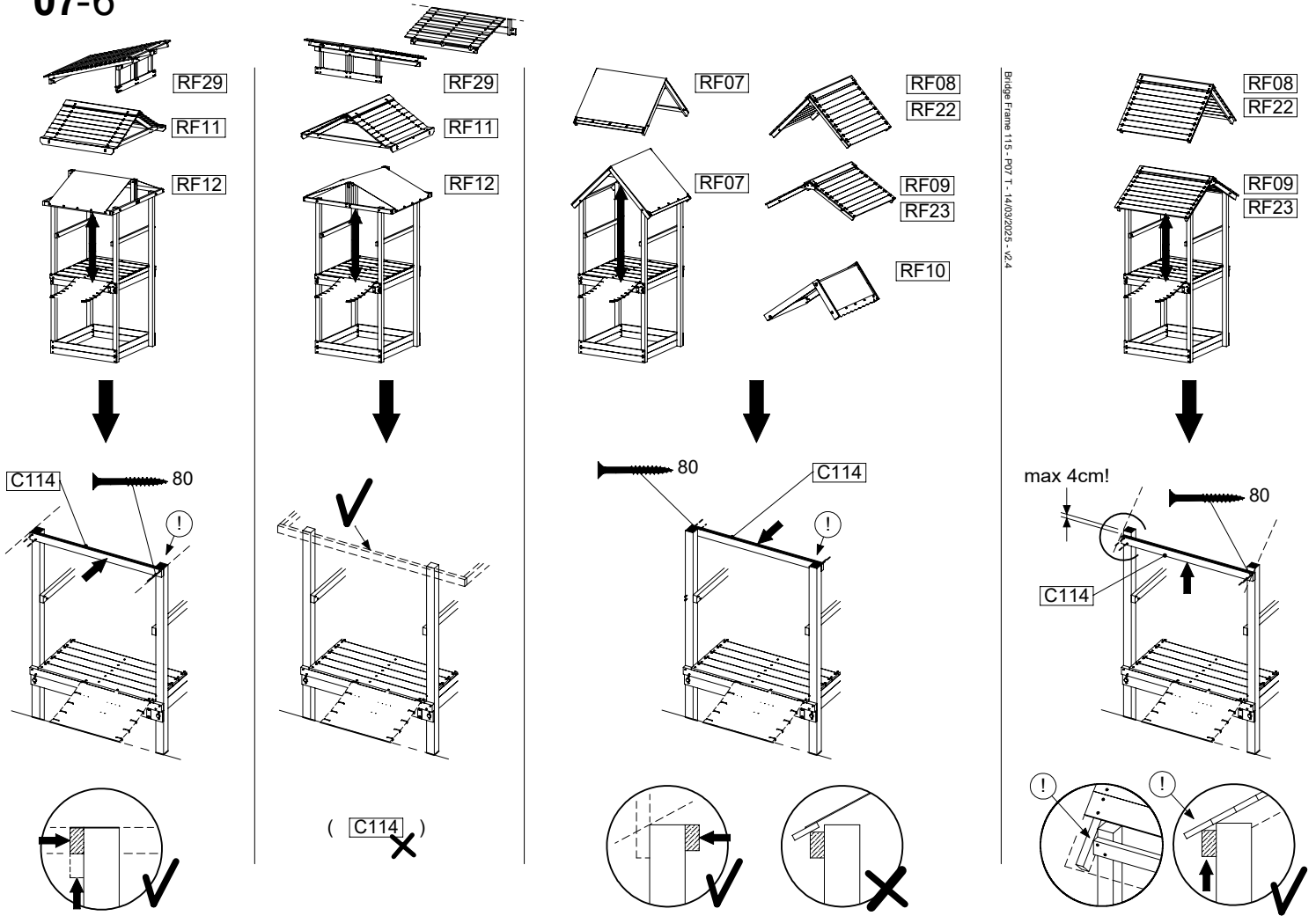
Assembly Pack: 194\_007 (a) / 194\_802(b)

	PartNo	PartName	QTY.
Hardware + Parts	001_411	Stealth Screw 8x60	1
	002_220	Gap Point Screw T25 - 5x45	10
	002_223	Gap Point Screw T25 - 5x80	12
Timber	C74	Beam 740 mm	1
	C114	Beam 1140 mm	1
	C141	Beam 1410 mm	1
	D65	Board 650 mm	2

Bridge Frame 115 - P14 TL - 14/03/2025 - v2.4



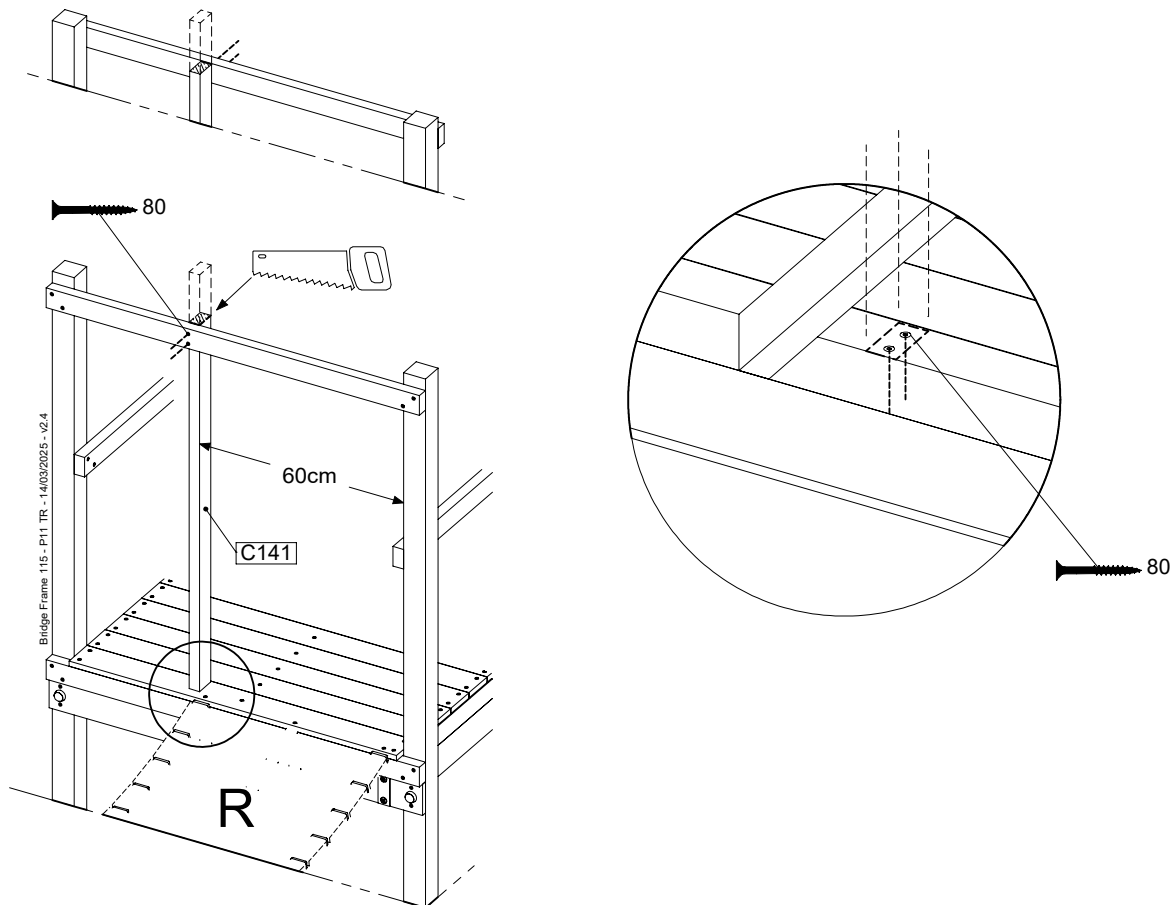
# 07-6



Bridge Frame 115 - P07 - 14/03/2025 - v2.4

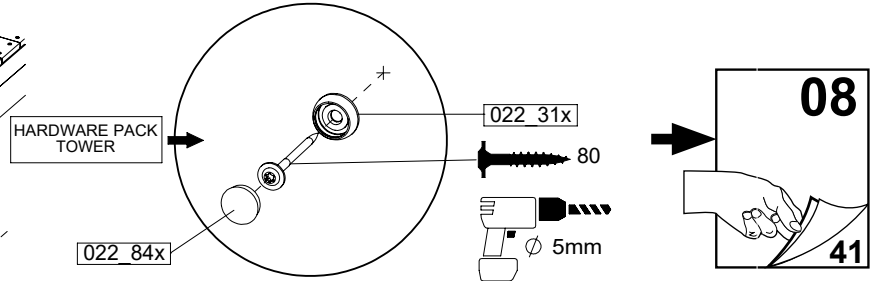
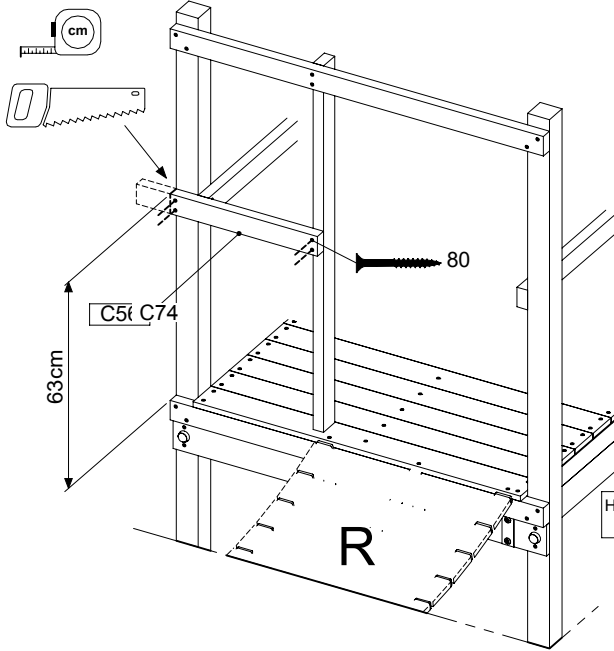
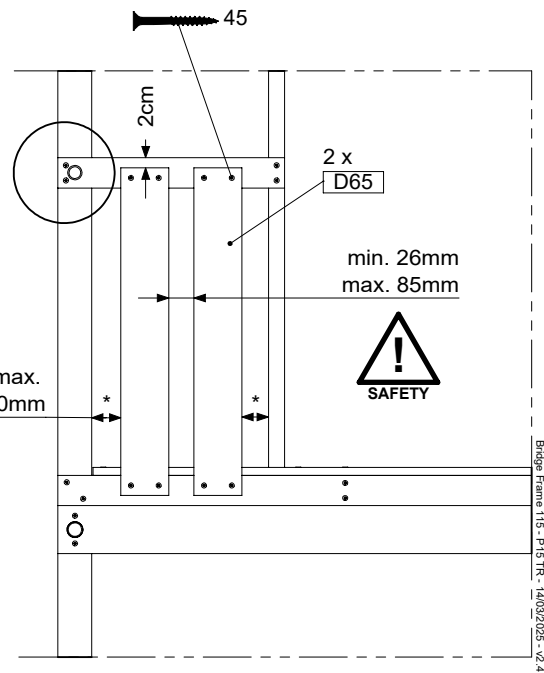
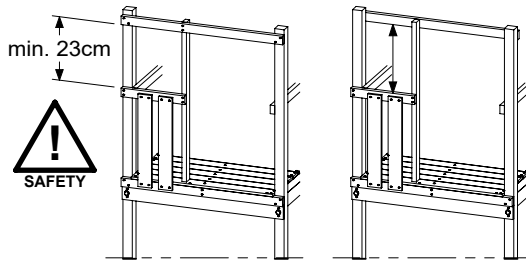
Manual ID: 040\_179\_2712

# 07-7

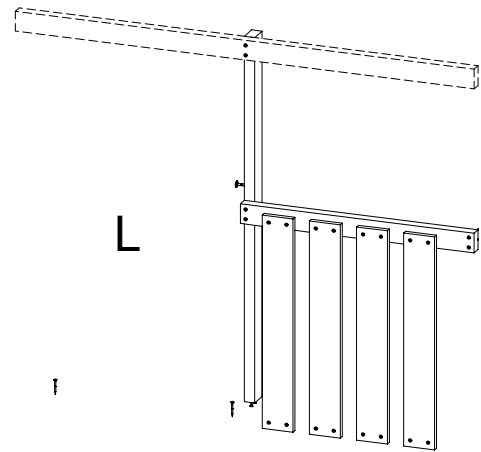
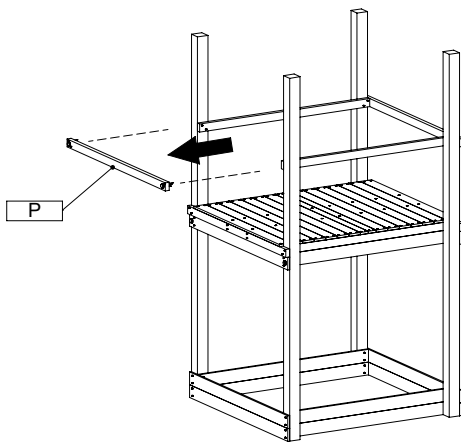


Bridge Frame 115 - P11 TR - 14/03/2025 - v2.4

# 07-8



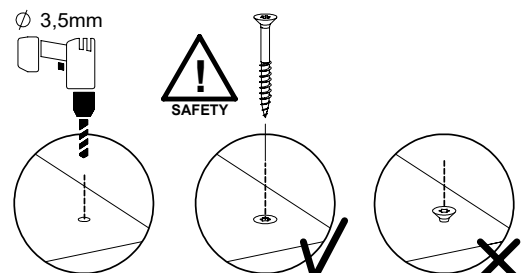
# 07-9 Bridge Frame 140 BF23



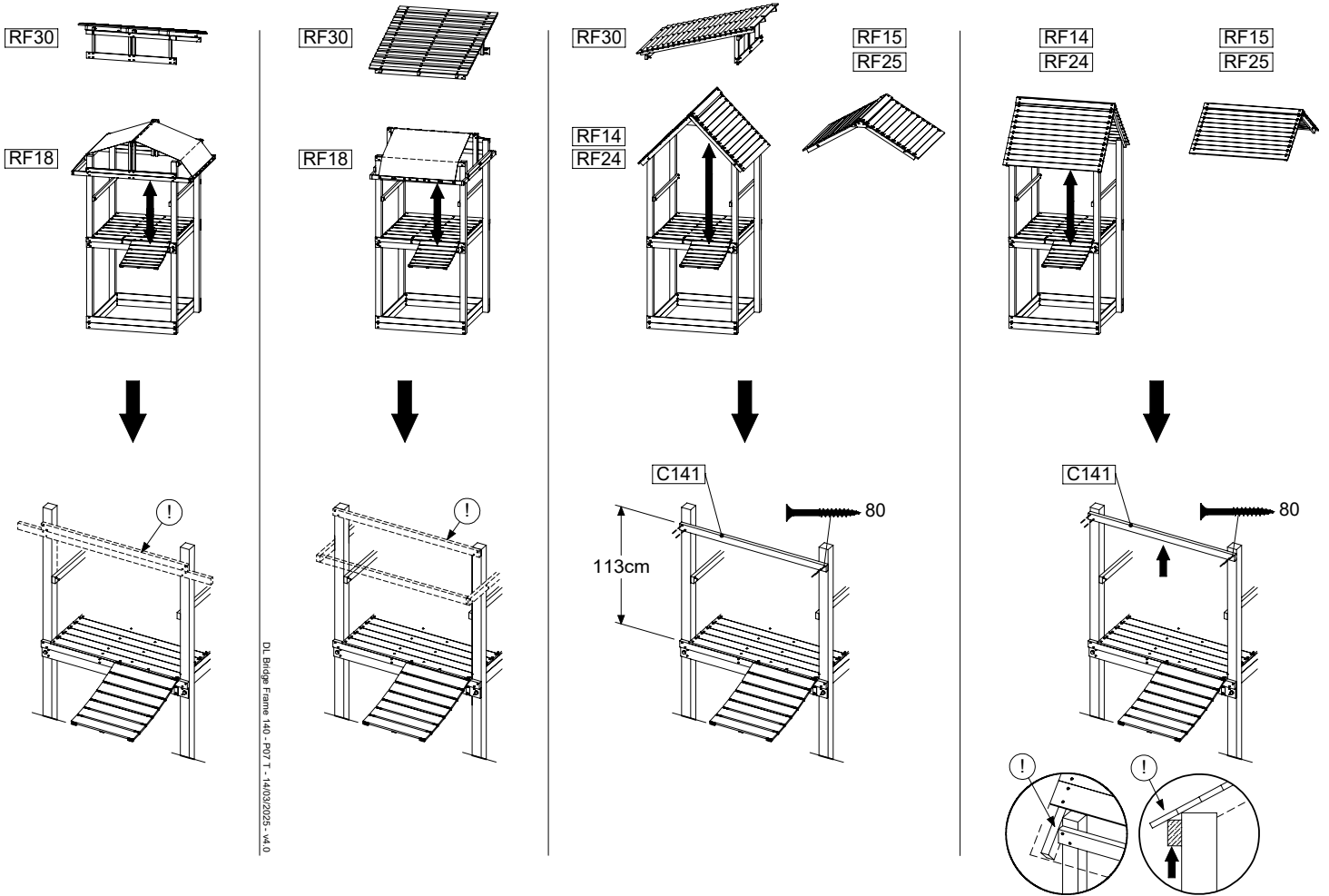
Assembly Pack: 194\_007 (a) / 194\_802 (b)

	PartNo	PartName	QTY.
Hardware Parts	001_411	Stealth Screw 8x60	1
	002_220	Gap Point Screw T25 - 5x45	18
	002_223	Gap Point Screw T25 - 5x80	8
Timber	C74	Beam 740 mm	1
	C141	Beam 1410 mm	1
	D65	Board 650 mm	4

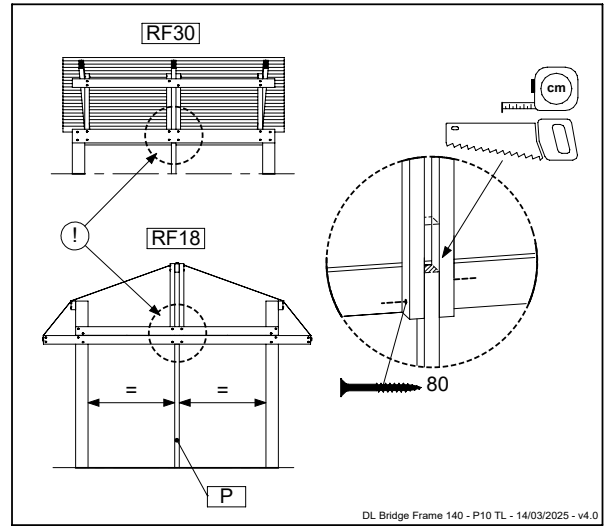
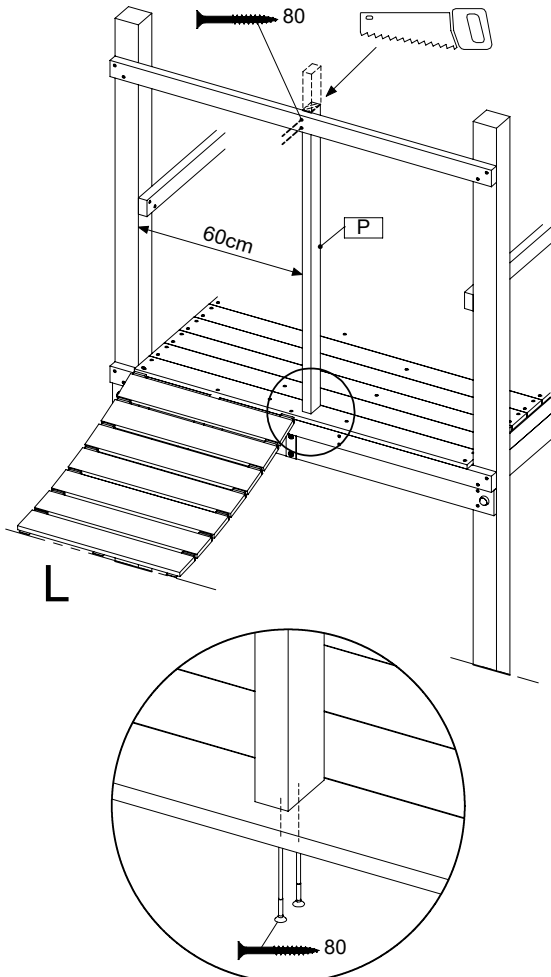
DL Bridge Frame 140 - P04 TL - 14/03/2025 - v4.0



# 07-10

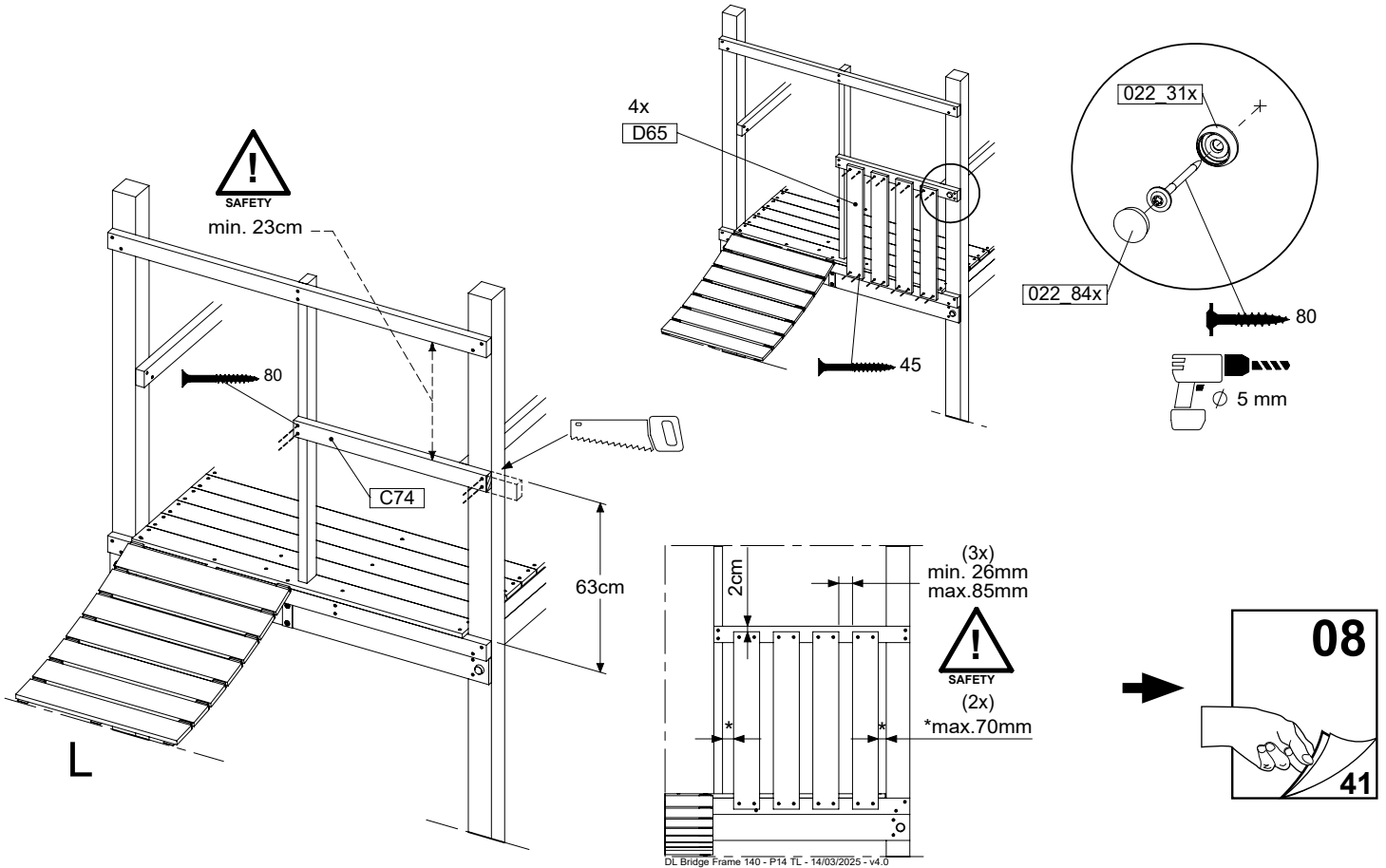


# 07-11

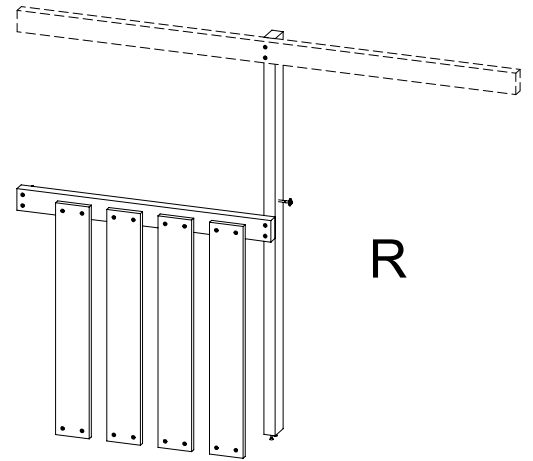
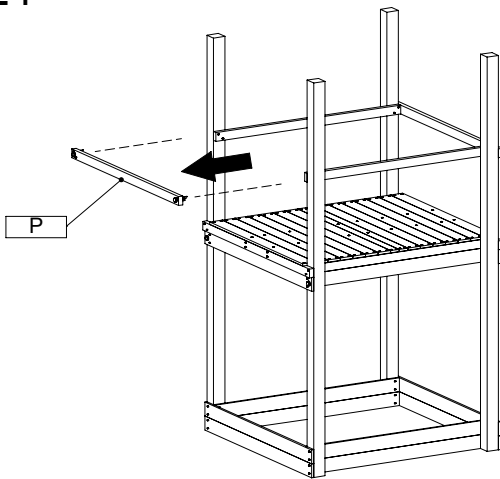


Manual ID: 040\_179\_2712

# 07-12



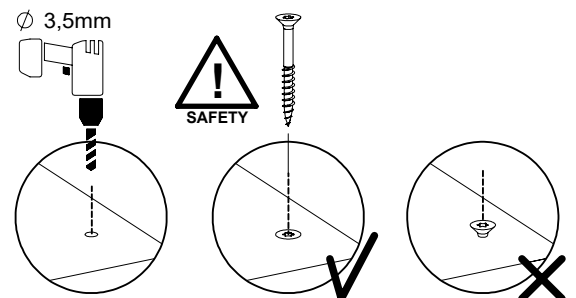
# 07-13 Bridge Frame 140 BF24



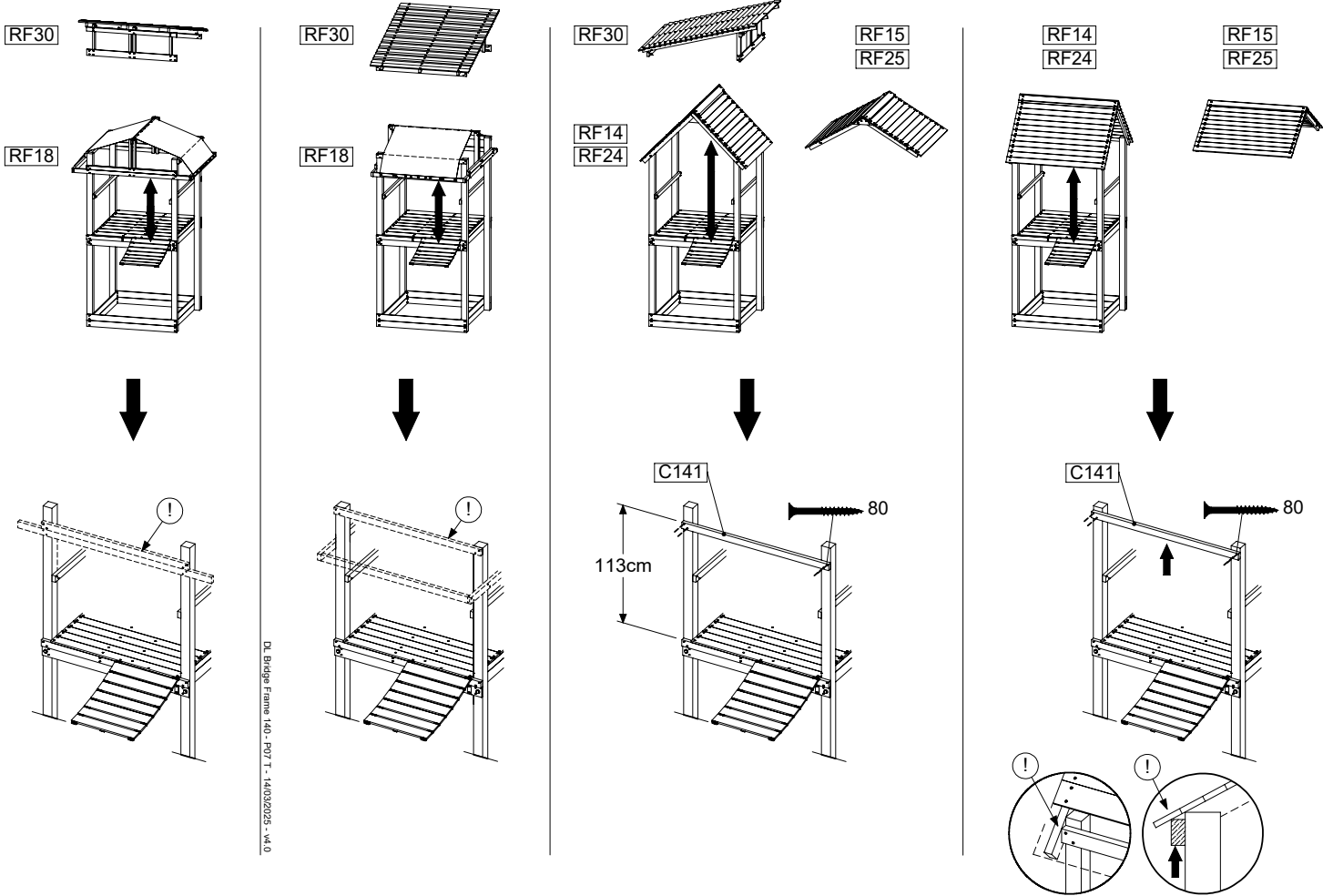
Assembly Pack: 194\_007 (a) / 194\_802 (b)

	PartNo	PartName	QTY.
Hardware + Parts	001_411	Stealth Screw 8x60	1
	002_220	Gap Point Screw T25 - 5x45	18
	002_223	Gap Point Screw T25 - 5x80	8
Timber	C74	Beam 740 mm	1
	C141	Beam 1410 mm	1
	D65	Board 650 mm	4

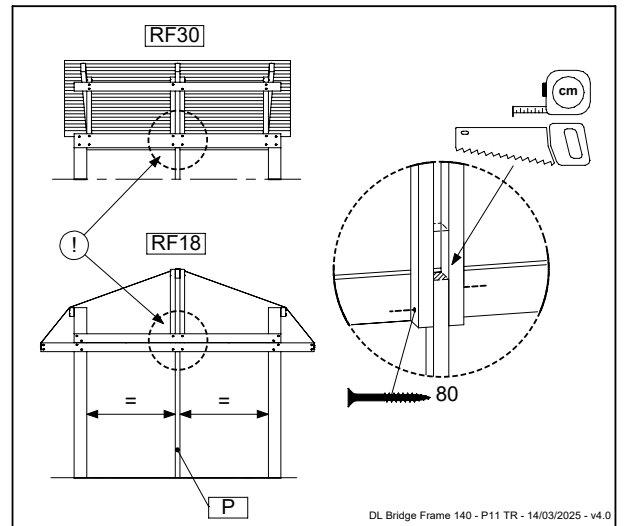
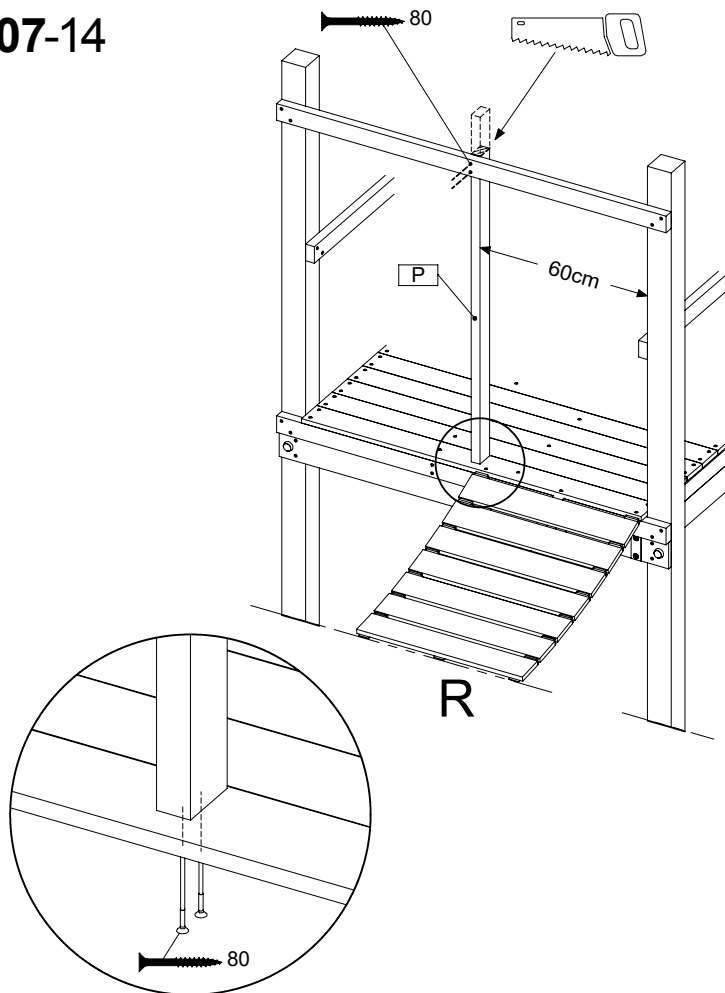
DL Bridge Frame 140 - P05 TR - 14/03/2025 - v4.0



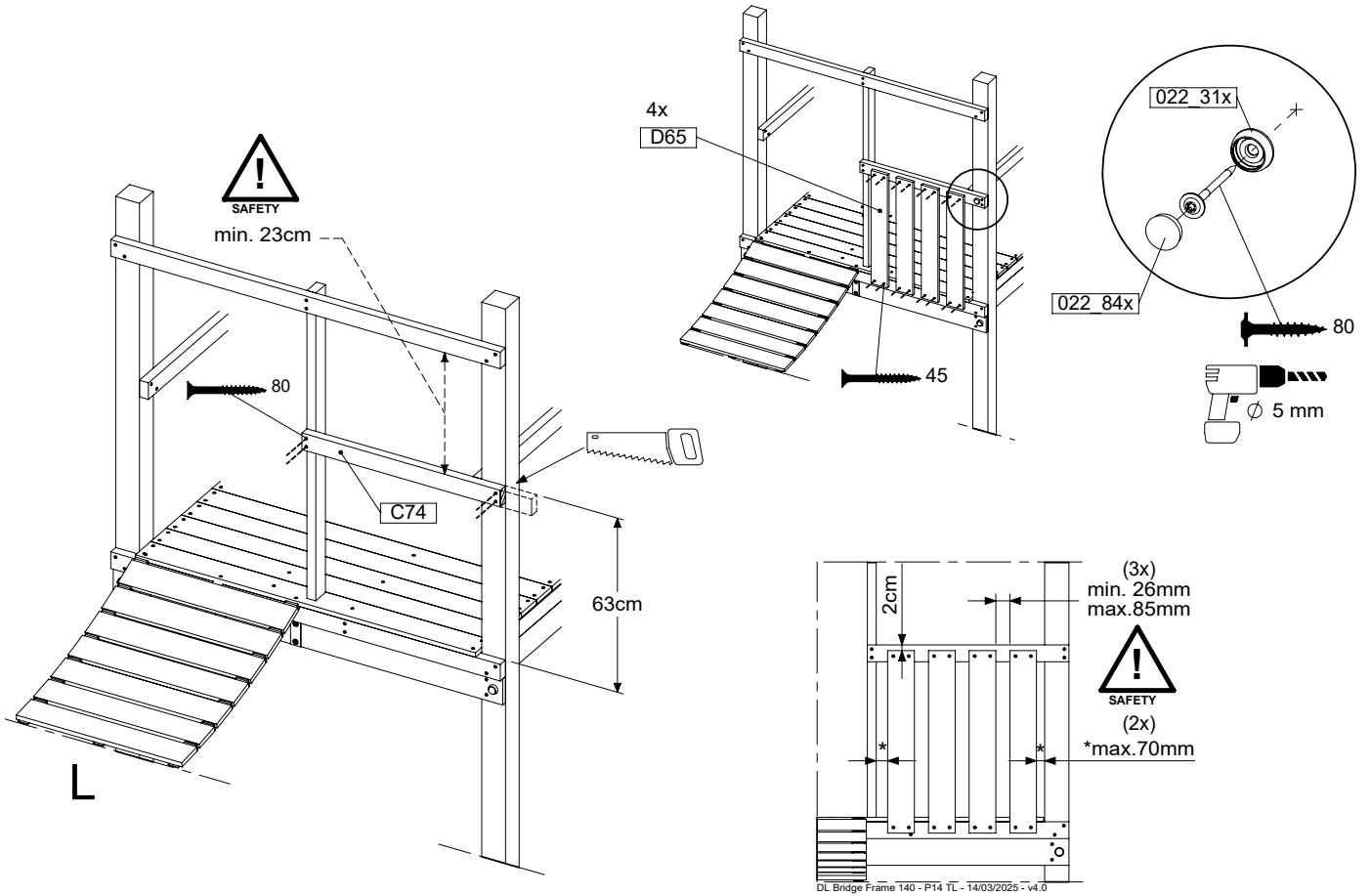
# 07-14



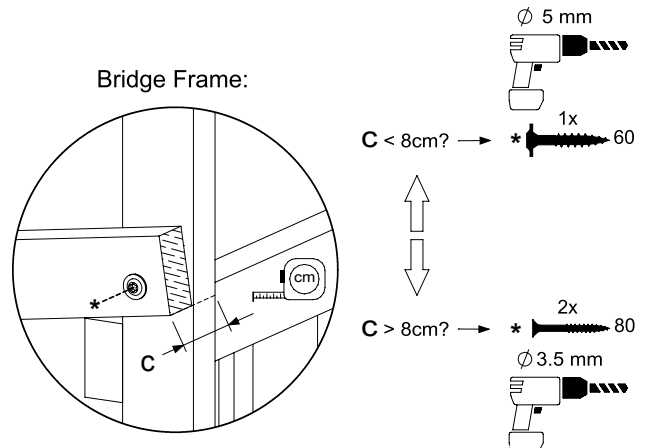
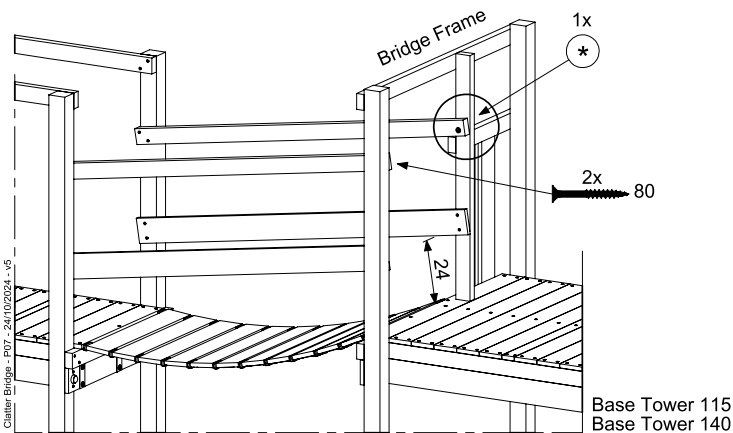
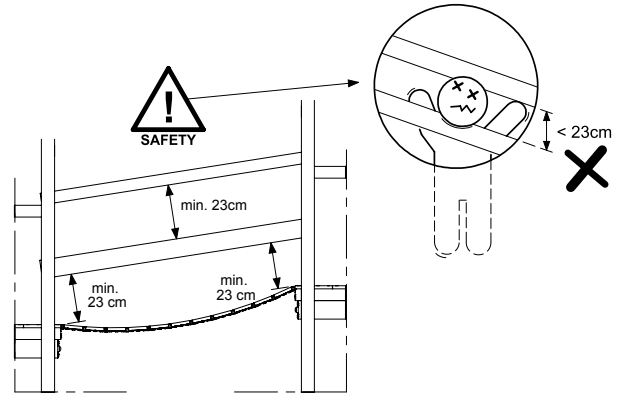
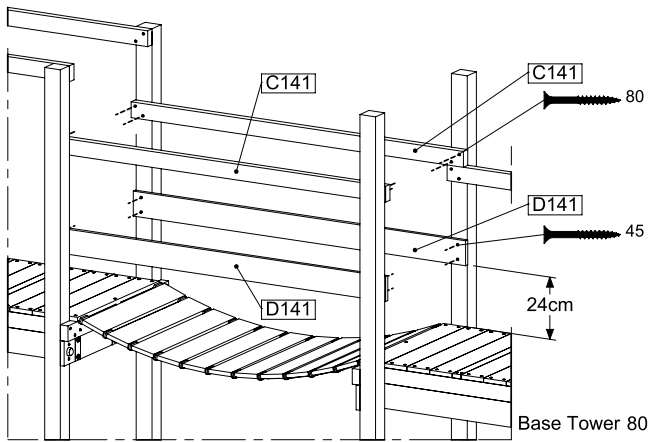
# 07-14





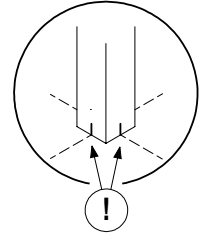
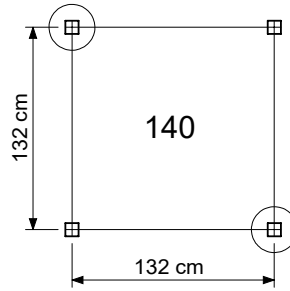
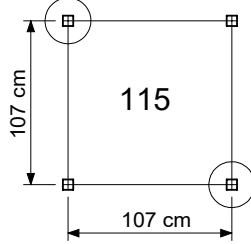
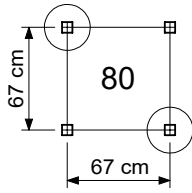
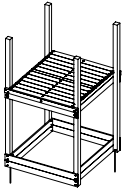


08 Clatter Bridge railing CB01-part02

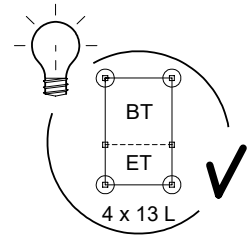
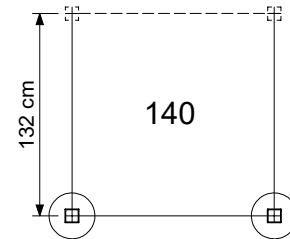
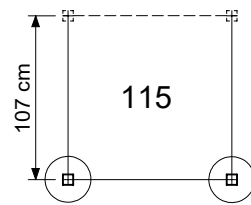
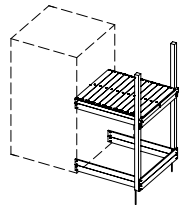
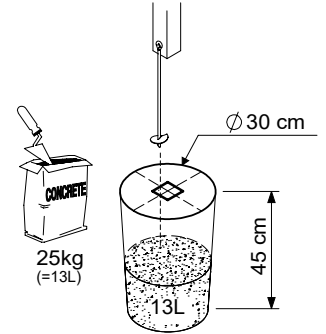
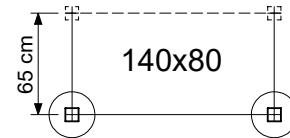
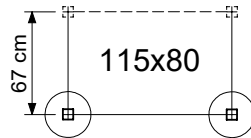
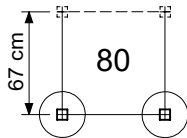
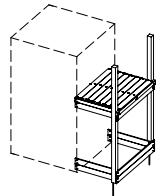


# 09 Ground Anchors

BASE TOWERS

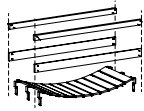


EXTENSION TOWERS

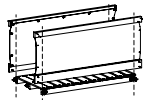


## 09 -1

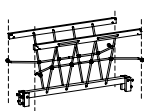
BRIDGES



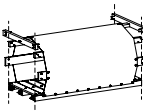
CLATTER



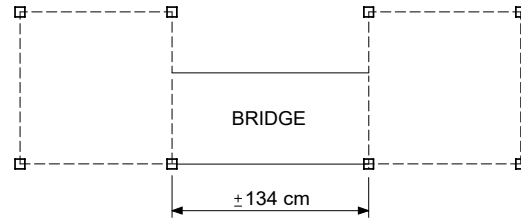
BOARDWALK



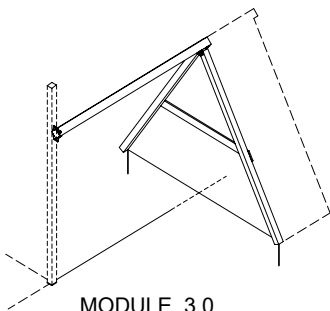
NET



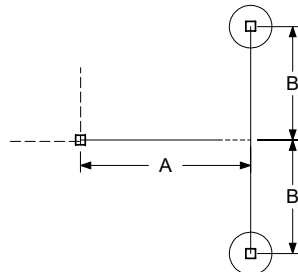
TUNNEL



SWING / CLIMB



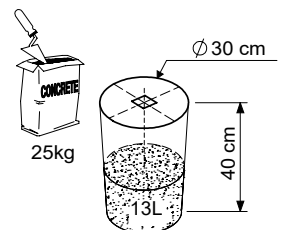
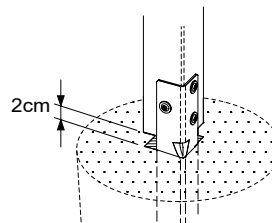
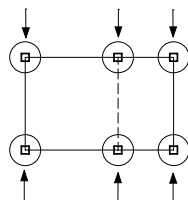
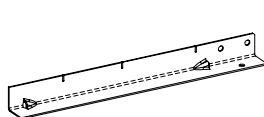
MODULE 3.0



MODULE 3.0	Module type	A	B
	1-Swing 200 - 3.0	155	110
	1-Swing 220 (Extra) - 3.0		115
	1-Climb 200 - 3.0	148	110
	2-Climb 200 - 3.0	222	
	2-Swing 200 - 3.0	215	115
1-Climb 220 (Extra) - 3.0	170		
2-Climb 220 (Extra) - 3.0	242		
2-Swing 220 (Extra) - 3.0	235		

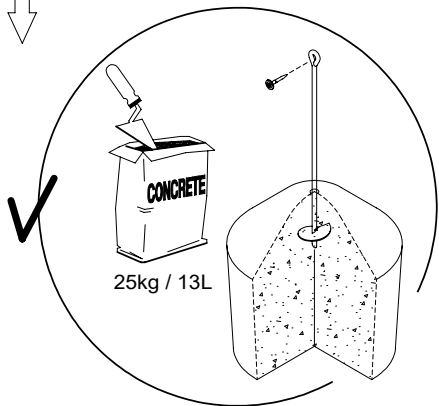
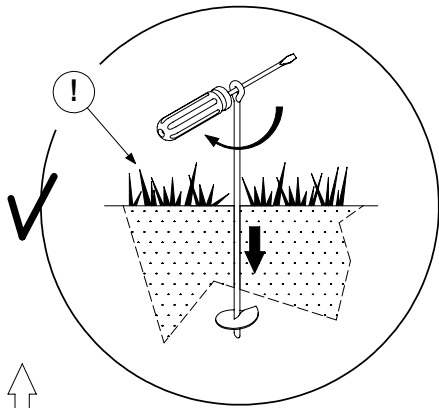
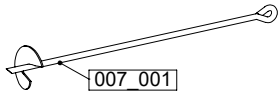
cm

Post ground anchor - optional -

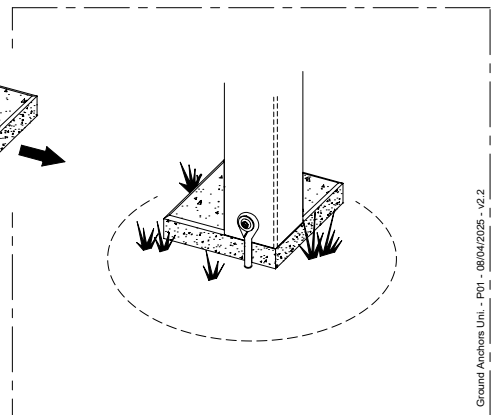
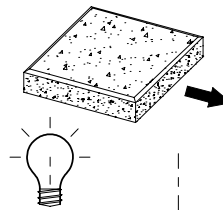
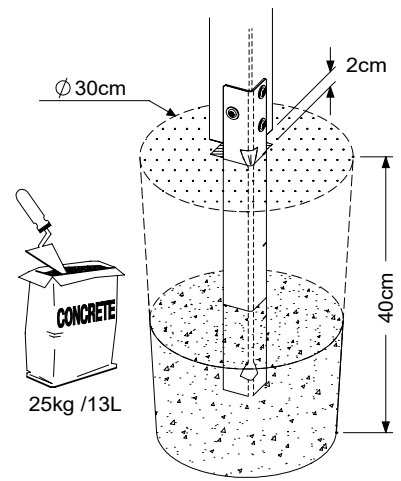
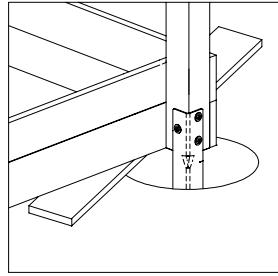
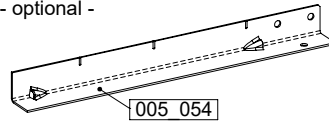


# 09 -2

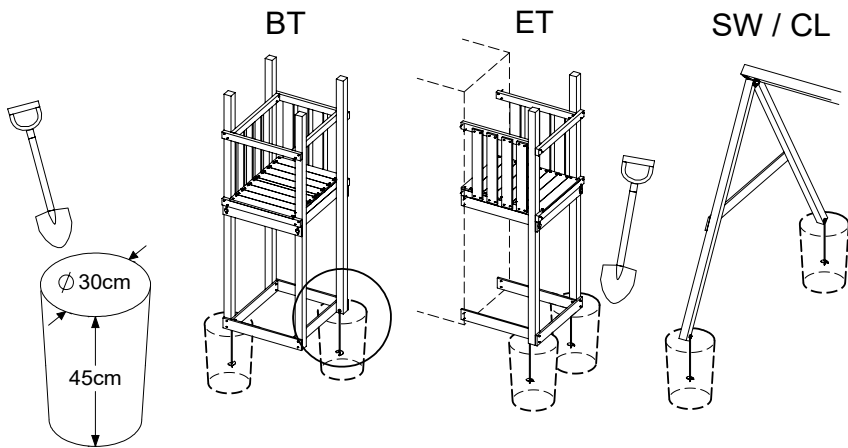
## Screw-in ground anchor



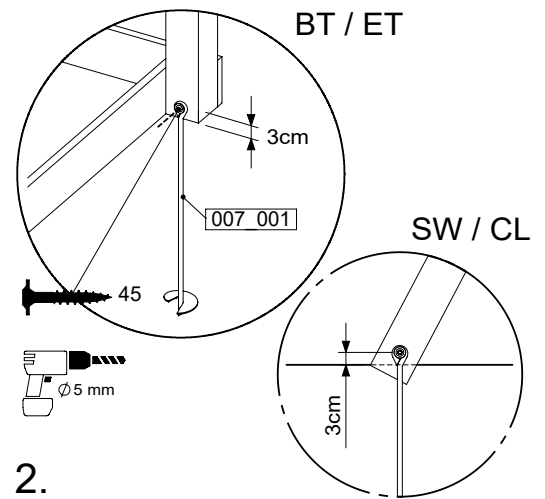
## Post ground anchor - optional -



Ground Anchors Uni. - P01 - 08/04/2025 - v2.2

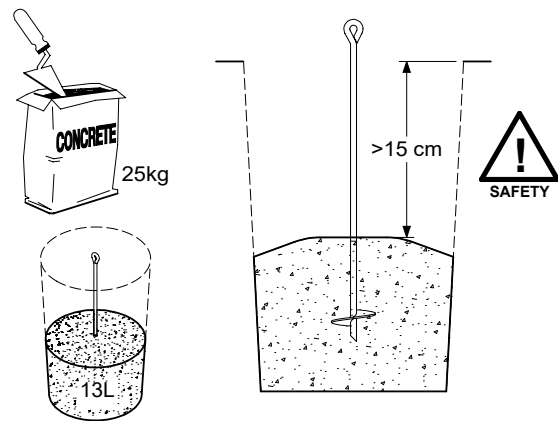


1.



2.

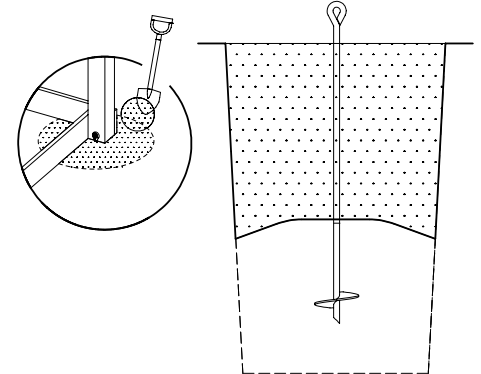
Ground Anchors Uni. - P02 - 08/04/2025 - v2.2



3.



4.



5.



EU Declaration of Conformity  
UK Conformity Assessed  
EU-Konformitätserklärung  
Déclaration EU de conformité



( in accordance with 768/2008/EC )

**Product range:** Activity toys for domestic use  
**Produktfamilie:** Aktivitätsspielzeug für den häuslichen Gebrauch  
**Gamme de produits:** Jouets d'activité à usage familial

DoC reference: 20250411\_0500

**Climbing frames**

**a. Assemblies for complete climbing frames - Bausätze für komplette Klettergerüste - Assemblages pour structures d'escalade complètes**

Playtowers	801_005, 801_009, 801_010, 801_013, 801_025, 801_040, 801_060, 801_070, 801_090, 801_095, 801_100, 801_103, 801_105, 801_110, 801_120, 801_200, 802_202, 802_204, 802_206, 802_208, 803_202, 803_204, 803_206, 803_208, 803_210, 809_802, 809_804
Swings	801_300, 801_601, 801_602
Modules	850_176, 850_177, 850_231, 850_232, 857_101, 857_102, 857_105, 857_106, 857_151, 857_152, 857_157, 857_158, 850_240

**b. Assemblies for climbing frames elements - Bausätze für Klettergerüst-Elemente - Assemblages pour éléments de structures d'escalade**

Base towers (BT)	BT01a, BT02a, BT03a, BT11a, BT14a, BT15a, BT20a
Extension towers (ET)	ET01a, ET02a, ET05a, ET06a, ET07a, ET08a, ET09a, ET10a, ET11a, ET12a, ET13a, ET14a, ET15a, ET16a, ET17a, ET18a, ET19a, ET20a, ET22a, ET23a, ET27a, ET28a, ET35a, ET29a, ET39a, ET40a
Veranda (VD)	VD01a, VD02a, VD03a, VD04a, VD05a
Bridges (CB, NB, BB, TB)	CB01a, CB01b, NB01a, BB01a, BB02a, TB01a, TB02a, TB03a, TB04a
Roofs (RF)	RF01a, RF21a, RF02a, RF03a, RF04a, RF05a, RF06a, RF20a, RF02b, RF03b, RF28a, RF07a, RF08a, RF22a, RF09a, RF23a, RF11a, RF12a, RF16a, RF07b, RF12b, RF08b, RF22b, RF09b, RF23b, RF11b, RF29a, RF14a, RF24a, RF15a, RF25a, RF18a, RF17a, RF18b, RF14b, RF24b, RF15b, RF25b
Balustrade (BL, BF)	BL01a, BL02a, BL11a, BL12a, BL21a, BF25a, BF26a, BF27a, BF28a, BL03a, BL04a, BL13a, BL14a, BF01a, BF02a, BF03a, BF04a, BF05a, BF06a, BF07a, BF08a, BF01b, BF02b, BF03b, BF04b, BF05b, BF06b, BF07b, BF08b, BL05a, BL06a, BL07a, BL08a, BL09a, BL10a, BL15a, BL16a, BF21a, BF22a, BF23a, BF24a, BF21b, BF22b, BF23b, BF24b
Playhouse (PH)	PH03a, PH04a, PH05a, PH06a, PH10a, PH11a, PH40a, PH41a, PH12a, PH13a, PH14a, PH15a, PH42a, PH43a, PH44a, PH45a, PH16a, PH17a, PH18a, PH19a, PH30a, PH31a, PH16b, PH17b, PH18b, PH19b, PH46a, PH47a, PH48a, PH49a, PH16c, PH17c, PH18c, PH19c, PH46b, PH47b, PH48b, PH49b, PH20a, PH21a, PH22a, PH23a, PH24a, PH25a, PH26a, PH27a, PH32a, PH33a, PH52a, PH53a, PH54a, PH55a, PH56a, PH57a, PH50a, PH51a, PH26b, PH27b, PH26c, PH27c, PH56b, PH57b
Ladder (LA)	LA05a, LA06a, LA01a, LA02a, LA09a, LA03a, LA04a, LA01b, LA02b, LA09b, LA03b, LA04b, LA11a, LA12a, LA13a, LA14a, LA15a, LA16a, LA17a, LA18a, LA31a, LA32a, LA33a, LA34a, LA35a, LA36a, LA37a, LA38a, LA11b, LA12b, LA13b, LA14b, LA15b, LA16b, LA17b, LA18b, LA19a, LA20a, LA21a, LA22a, LA23a, LA24a, LA25a, LA26a, LA43a, LA44a, LA45a, LA46a, LA23b, LA24b, LA25b, LA26b
Two Step Ladder (TS)	TS01a, TS01b, TS02a, TS02b, TS03b, TS22a, TS05a, TS06a, TS07a, TS08a, TS09a, TS10a, TS11a, TS12a, TS15a, TS16a, TS17a, TS18a, TS19a, TS20a, TS21a, TS22a
Rope Ladder (RL)	RL01a, RL02a, RL05a, RL06a, RL07a, RL08a, RL09a, RL10a, RL11a, RL12a, RL15a, RL16a, RL19a, RL20a
Rock wall (RW)	RW01a, RW02a, RW01b, RW02b, RW03b, RW31a, RW32a, RW05a, RW06a, RW07a, RW08a, RW09a, RW10a, RW11a, RW12a, RW05b, RW06b, RW07b, RW08b, RW40a, RW41a, RW40b, RW41b, RW42a, RW43a, RW15a, RW16a, RW17a, RW18a, RW19a, RW20a, RW46a, RW47a
Ramp (RA)	RA01b, RA02b, RA03a, RA04a, RA21a, RA05a, RA06a, RA07a, RA08a, RA05b, RA06b, RA07b, RA08b, RA11a, RA12a, RA09b, RA10b, RA11b, RA12b
Net (NA, NS)	NA01a, NA02a, NS01a, NS02a, NS03a, NS21a, NA04a, NA05a, NS04a, NS05a, NS06a, NS07a, NA08a, NA09a, NS08a, NS09a
Boat (BO)	BO01a
Market (MT) & Target Canvas (TC)	MT01a, MT02a, TC01a, TC02a, MT01b, MT02b, TC01b, TC02b, MT05a, MT06a, MT11a, MT12a
Picnic (PC)	PC01a, PC01b, PC05a, PC06a, PC09a, PC10a
Gymnastics bar (GY)	GY01a
Fireman's pole (FP)	FP01a, FP02a, FP04a, FP05a, FP06a, FP07a, FP23a, FP24a, FP25a, FP26a, FP27a, FP28a
Slides (SL)	SL01a, SL02a, SL03a, SL06a, SL07a, SL08a, SL09a, SL10a, SL11a, SL12a, SL13a, SL26a, SL27a, SL28a, SL29a
Swing (SM)	SW17a, SW21a, SW18a, SW22a, SW19a, SW23a, SW01a, SW05a, SW02a, SW06a, SW03a, SW07a, SW09a, SW13a, SW10a, SW14a, SW11a, SW15a
Climb (CL)	CL17a, CL21a, CL18a, CL22a, CL19a, CL23a, CL01a, CL05a, CL02a, CL06a, CL03a, CL07a, CL09a, CL13a, CL10a, CL14a, CL11a, CL15a
Universal Beam (UB)	UB01a, UB04a, UB02a, UB05a, UB03a, UB06a, UB07a, UB08a
Accessories (AC)	AC40a, AC30a, AC31a, AC32a, AC33a, AC01a, AC05a, AC07a, AC03a, AC04a, AC06a, AC23a, AC22a, AC24a, AC21a, AC25a, AC02a, AC09a, AC08a, AC10a

**Construction packages**

**a. Assembly kits for complete climbing frames - Bausätze für komplette Klettergerüste - Kits de construction pour structures d'escalade complètes**

Playtowers	401_015, 401_080, 401_125, 402_201, 402_202, 402_204, 402_206, 402_208, 403_202, 403_204, 403_206, 403_208, 403_210, 409_802, 409_804
Swings	401_300, 401_600
Modules	457_005, 457_102, 457_103, 457_106, 457_107, 457_205

**b. Assembly packs for climbing frames elements - Baupakete für Klettergerüst-Elemente - Packs de construction pour éléments de structures d'escalade**

Sub assemblies	194_002, 194_003, 194_004, 194_006, 194_007, 194_008, 194_009, 194_010, 194_011, 194_100, 194_101, 194_102, 194_103, 194_104, 194_105, 194_107, 194_108, 194_109, 194_110, 194_111, 194_112, 194_113, 194_114, 194_115, 194_116, 194_117, 194_118, 194_119, 194_300, 194_308, 194_312, 194_500, 194_501, 194_508, 194_510, 194_802, 194_804, 194_809, 194_810, 194_811, 194_812
----------------	---

**Accessories and components - Zubehör und Komponenten - Accessoires et composants**

Slides XL	324_100, 324_200, 324_300, 324_400, 324_500, 324_600
Slides XXL	334_100, 334_200, 334_300, 334_400, 334_500, 334_600
Fireman's pole	201_275
Climbing	201_060, 201_273
Imagination	201_280, 201_285, 201_290, 201_295, 202_473, 450_310, 450_320, 450_330
Swinging	250_001, 250_013, 250_025, 250_034, 250_053
Functional	123_220, 123_222, 123_230, 201_115, 201_220, 201_250, 201_260, 201_270, 202_620, 202_621, 202_622, 202_623, 202_624, 202_625, 202_626, 202_627, 202_628, 202_629, 202_824, 250_060, 250_065, 250_070, 250_075

## Applicable EU and UK directives, regulations and standards

### General directives

- EU Product Safety Regulation (GPSR 2023/988/EC)
- UK General Product Safety Regulations (GPSRs SI 2005/1803)
- EU Reach Directive 1907/2006
- AfPS GS 2019:01 PAK

### Toy directives

- EU Toys Safety Directive (TSD 2009/48/EC)
- UK Toys Safety Regulations 2011 (TSR SI 2011/1881)

### Harmonised European and UK toy standard

- Safety of toys (EN 71)
  - Part 1: Mechanical and physical properties (prEN 71-1:2024)
  - Part 2: Flammability (EN 71-2:2020/prA1:2023)
  - Part 3: Migration of certain elements (EN 71-3:2019+A1:2021)
  - Part 8: Activity toys for domestic use (prEN 71-8:2024)

## Additional audits

### Test reports / Certificate:

TüV Rheinland Product Safety GmbH

### Prüfbericht / Zertifikat:

Am Grauen Stein, 51105 Köln, Germany

### Rapport d'essai / certificate:

Zertifikat: R 60010766, R 60024578

Prüfbericht: 21115718\_003/004/005, 21140630\_001/002

Dekra Automobil GmbH

Handwerkstraße 15, 70565 Stuttgart, Germany

Prüfbericht: 340331500\_55245585/13-2, 55247432.14-1, 55247432.14-2

Laboratoire National de métrologie et d'essais (LNE)

29 Avenue Roger Hennequin, 78197 Trappes Cedex, France

Revue documentaire: K080196

## Design

### Product image:

### Produktbild:

### Image du produit:

Design Code: **R8ydTF**



Production date: **02-06-2025**

## Declaration

This declaration of conformity is issued solely under the responsibility of the manufacturer, who asserts that the aforementioned products comply with the applicable directives and harmonized standards, provided that installation, assembly, and maintenance are performed in accordance with the instructions supplied.

Diese Konformitätserklärung wird ausschließlich unter der Verantwortung des Herstellers ausgestellt, der erklärt, dass die genannten Produkte den geltenden Richtlinien und harmonisierten Standards entsprechen, vorausgesetzt, dass Installation, Montage und Wartung gemäß den bereitgestellten Anweisungen durchgeführt werden.

Cette déclaration de conformité est émise uniquement sous la responsabilité du fabricant, qui affirme que les produits mentionnés ci-dessus sont conformes aux directives applicables et aux normes harmonisées, à condition que l'installation, le montage et l'entretien soient réalisés conformément aux instructions fournies.

## Manufacturer details

### Jungle Gym B.V.

P.O. Box 75083

1070 AB Amsterdam

Netherlands

[www.junglegym.com](http://www.junglegym.com)

[info@junglegym.com](mailto:info@junglegym.com)


+31 85 44 44 100

**Jungle Gym**  
BACKYARD PLAYGROUNDS

since 1988

Amsterdam, December 1<sup>st</sup>, 2024

On behalf of the manufacturer  
**Jungle Gym B.V.**

  
Paul Schmit  
CEO