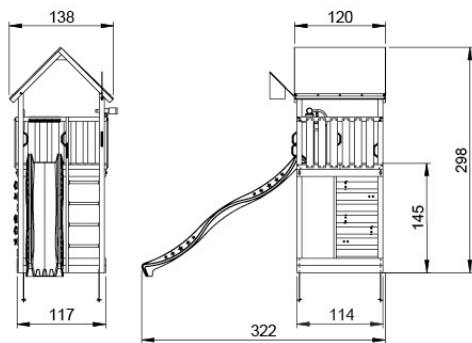
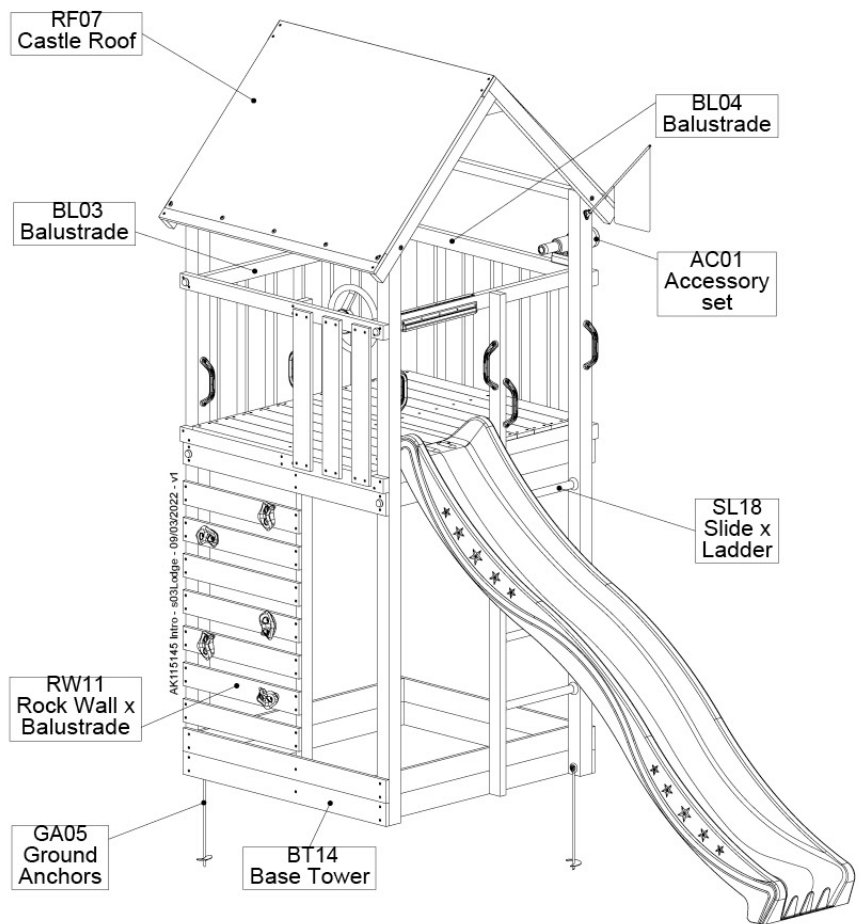
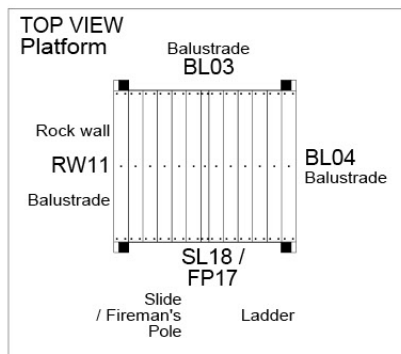
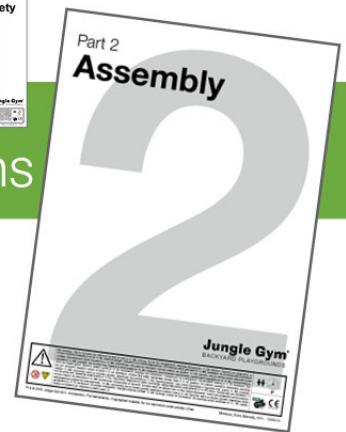


Assembly

Jungle Lodge 2.1

801_040



Jungle Gym
BACKYARD PLAYGROUNDS

since 1988

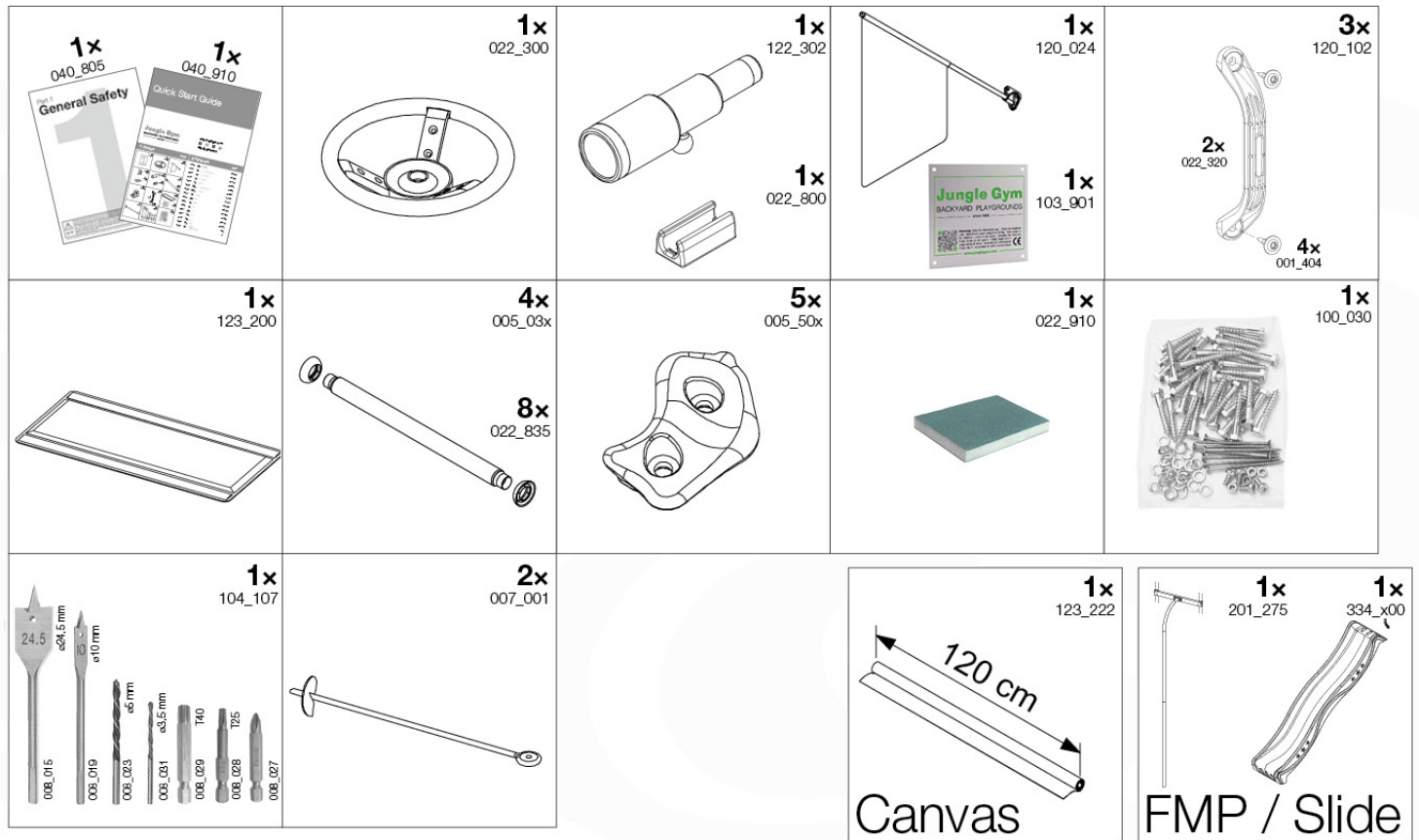


EN. Warnings. Only for domestic use. Maximum number of users is 6. **DE.** Achtung. Nur für den Hausgebrauch. Maximale Benutzerzahl: 6. **FR.** Attention. Réserve à un usage familial. Le nombre maximal d'utilisateurs est de 6. **NL.** Waarschuwingen. Uitsluitend voor huishoudelijk gebruik. Het maximale aantal gebruikers is 6. **BG.** Внимание. За употреба само в домашни условия. Максималният брой потребители е 6. **CS.** Varování. Jen pro domácí použití. Maximální počet uživatelů je 6. **DA.** Advarsel. Kun til privat brug. Maksimum antal brugere er 6. **EL.** Προειδοποίηση. Μόνο για οικιακή χρήση. Μέγιστος αριθμός χρηστών 6. **ES.** Advertencias. Solo para uso doméstico. Número máximo de usuarios: 6. **ET.** Hoiatused. Ainult koduseks kasutamiseks. Maksimaalne kasutajate arv on 6. **FI.** Varoitukset. Ainoastaan kotikäyttöön. Käyttäjää yhteensä enintään 6. **HR.** Upozorenja. Samo za kućansku uporabu. Maksimalan broj korisnika je 6. **HU.** Figyelmeztetések. Csak otthoni használatra! A használók max. száma: 6. **IS.** Varnaðarorð. Engöngu fyrir einhnanotkun í heimahúsum og á einaklóðum. Hámarksfjöldi notenda er 6. **IT.** Avvertenze. Solo per uso domestico. Massimo numero di utenti è 6. **LT.** Įspėjimai. Tik buitnam naudojimui. Maksimalus naudotojų skaičius 6. **LV.** Brīdinājumi. Izmanto tikai mājās. Maksimālais lietotāju skaits ir 6. **NO.** Advarsel. Kun for privat bruk. Maksimalt antall brukere er 6. **PL.** Ostrzeżenia. Wyłącznie do użytku domowego. Maksymalna liczba użytkowników to 6. **PT.** Avisos. Apenas para uso doméstico. O número máximo de utilizadores é 6. **RO.** Avertismente. Numai pentru uz domestic. Numărul maxim de utilizatori este 6. **RU.** Предостережения. Только для домашнего использования. Максимальное количество пользователей - 6. **SK.** Upozornenia. Iba na domáce použitie. Maximálne množstvo osôb je 6. **SL.** Opozorila. Samo za domačo uporabo. Maksimalno število uporabnikov je 6. **SR.** Upozorenja. Samo za kućnu upotrebu. Maksimalan broj korisnika je 6. **SV.** Varningar. Endast för hemmabruk. Det maximala antalet användare är 6. **TR.** Uyarılar. Sadece ev kullanımı için. Maksimum kullanıcı sayısı 6.



01 What's in the Delivery?













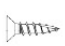


401_080



02 Hardware

Total HWP 100_030 Jungle Lodge 2.1

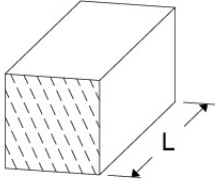
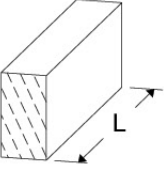
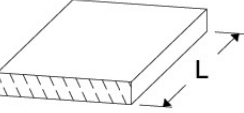
20220302

| | | | | | | | |
|---------|-------------|---|-------------|---------|------------|--|-----------|
| 001_102 | 10x |  | M8 x 30mm | 000_101 | 10x |  | ø2 x 20mm |
| 001_417 | 10x |  | ø8 x 80mm | 003_010 | 10x |  | M8x14.2mm |
| 001_406 | 7x |  | ø8 x 45mm | 004_050 | 10x |  | M8 x 22mm |
| 001_404 | 4x |  | ø8 x 30mm | 023_031 | 10x |  | ø5mm |
| 002_223 | 64x |  | ø5 x 80mm | 120_005 | 14x |  | M8 |
| 002_220 | 254x |  | ø5 x 45mm | | | | |
| 002_219 | 34x |  | ø5 x 30mm | | | | |
| 002_308 | 12x |  | ø5.0 x 20mm | | | | |
| 002_041 | 3x |  | ø4.5 x 20mm | | | | |
| 002_042 | 4x |  | ø3.5 x 13mm | | | | |

03 Timber

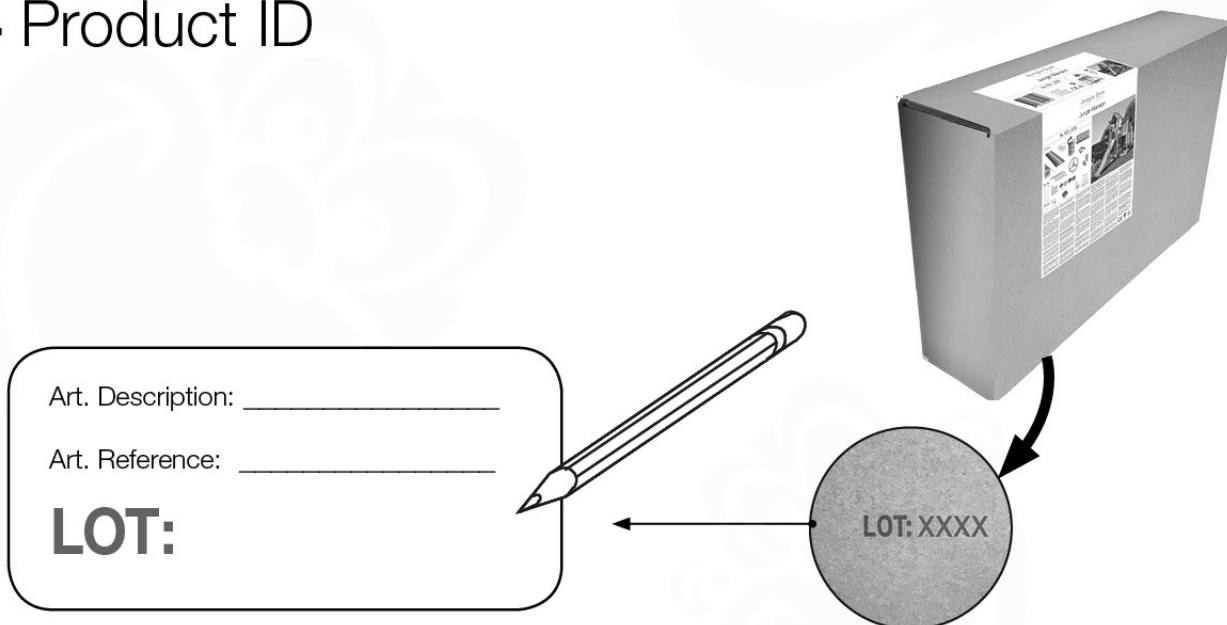
601_042 Timber pack Jungle Lodge 2.1

L

| | | | |
|--|---------------------------------------|---|-----------------------------------|
| <p>A</p>  | <p>A240</p> | <p>239cm - 240cm</p> | <p>4x</p> |
| <p>C</p>  | <p>C206 C114 C96 C90</p> | <p>205cm - 206cm 113cm - 114cm 95cm - 96cm 89cm - 90cm</p> | <p>2x 9x 2x 2x</p> |
| <p>D</p>  | <p>D120 D114 D100 D65</p> | <p>119cm - 120cm 113cm - 114cm 99cm - 100cm 64cm - 65cm</p> | <p>3x 12x 14x 23x</p> |

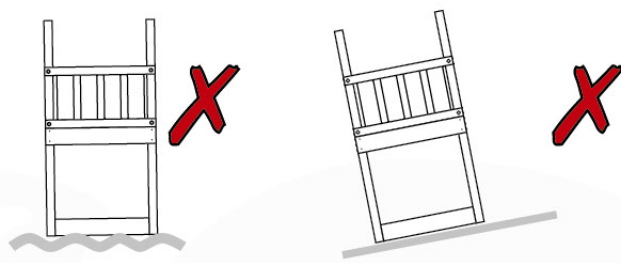
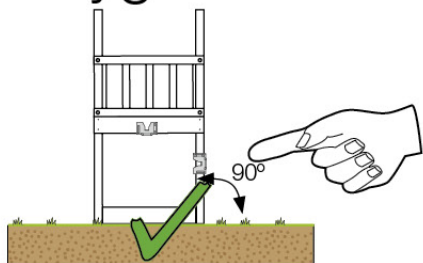
21-Oct-2021

04 Product ID

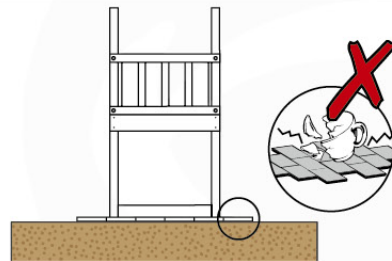
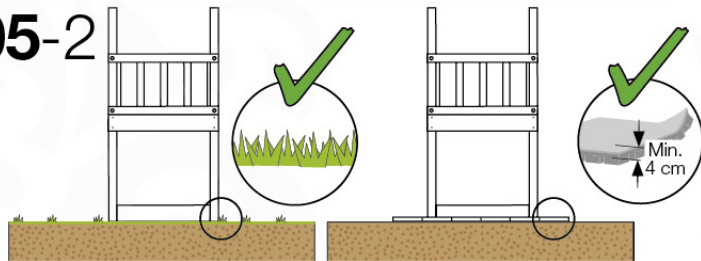


05 Safe Playground Planning

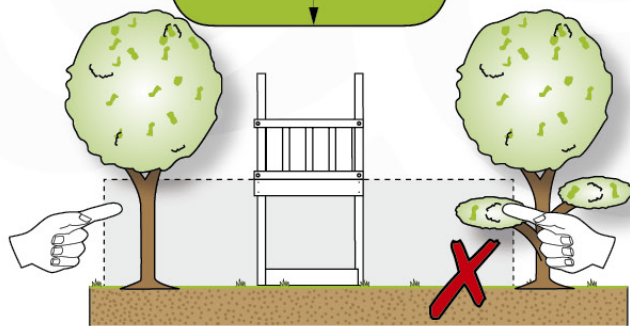
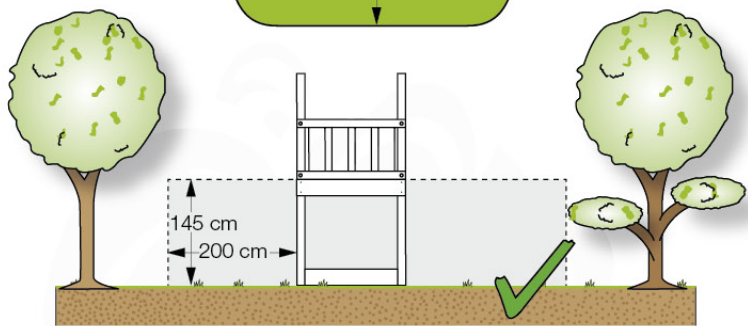
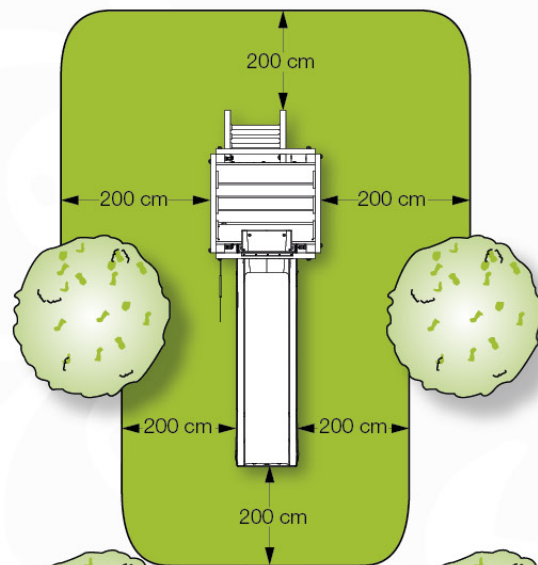
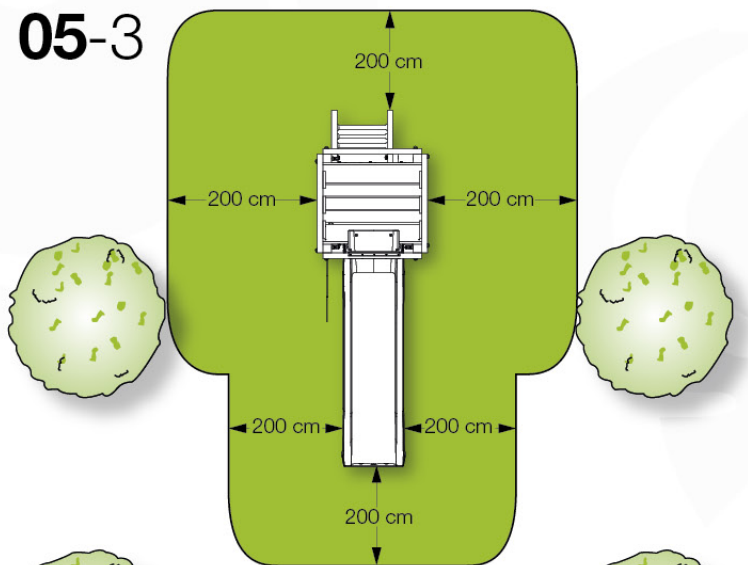
05-1



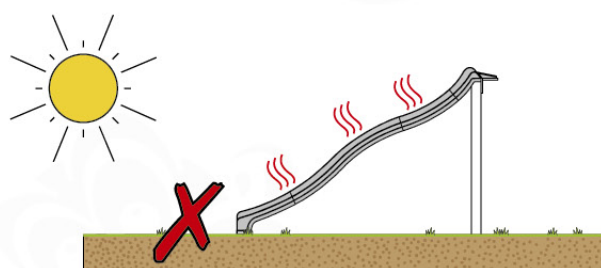
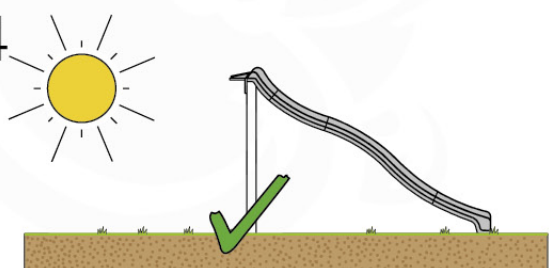
05-2



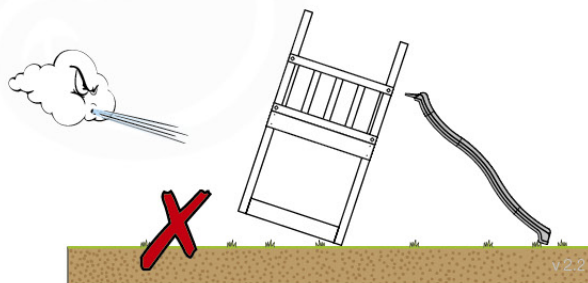
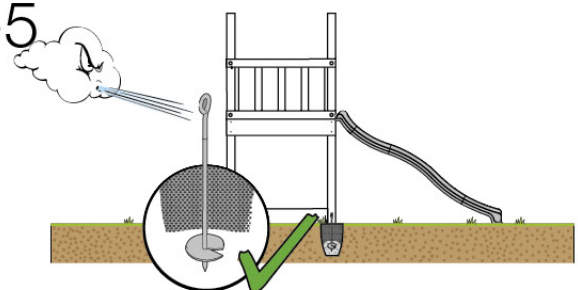
05-3



05-4

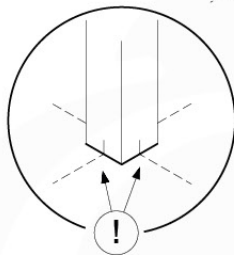
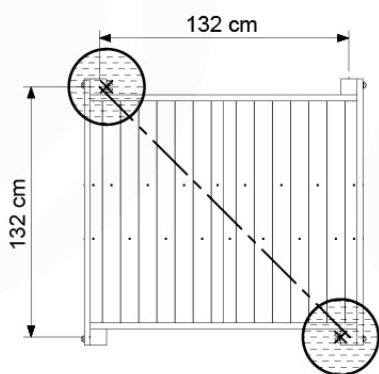
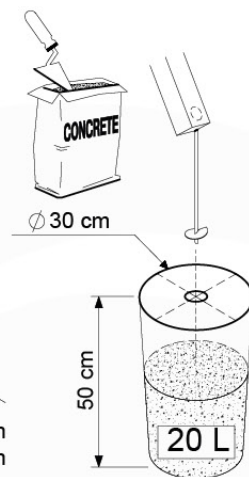
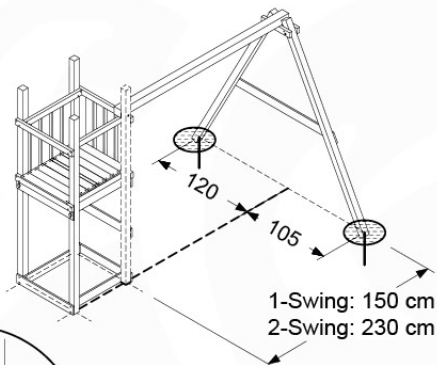
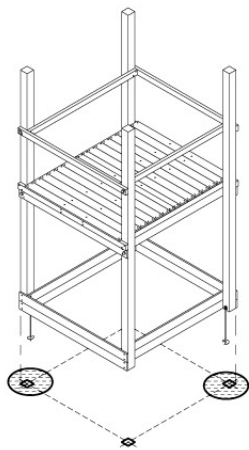
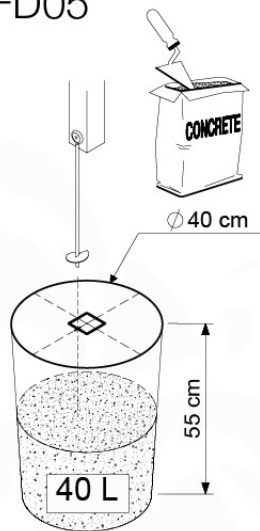


05-5

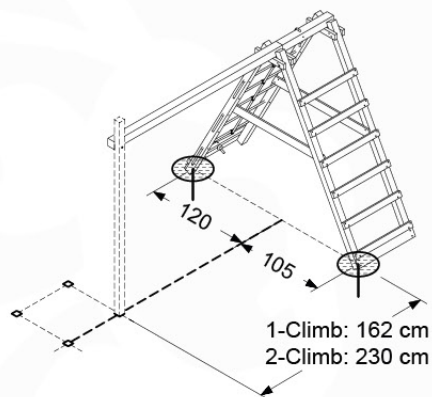


06 Playground Foundation

FD05



Foundation Plan - F05-FD10
22/02/2022 - V2

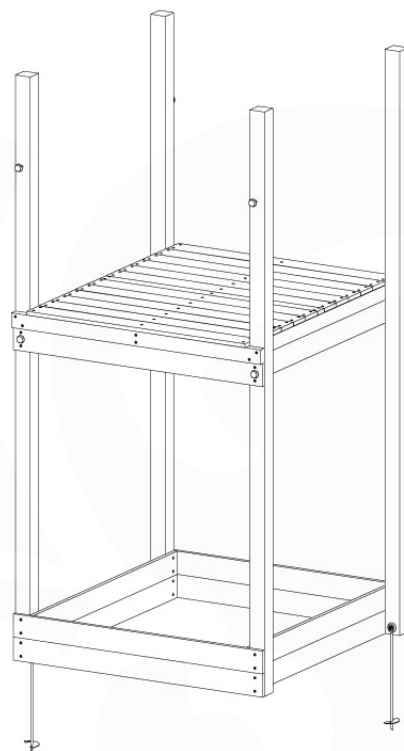


07 Base Tower

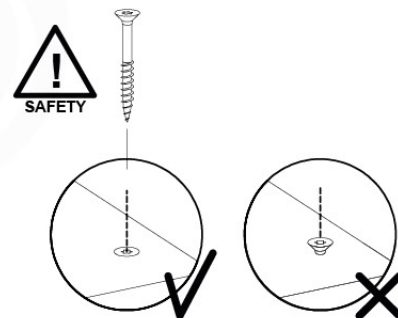
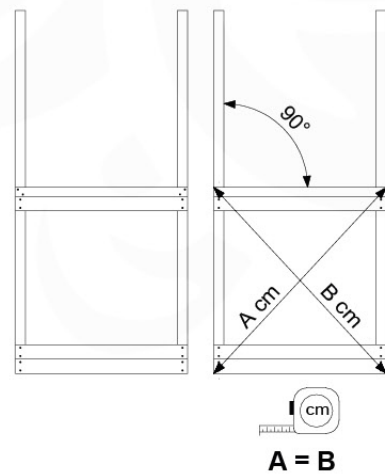
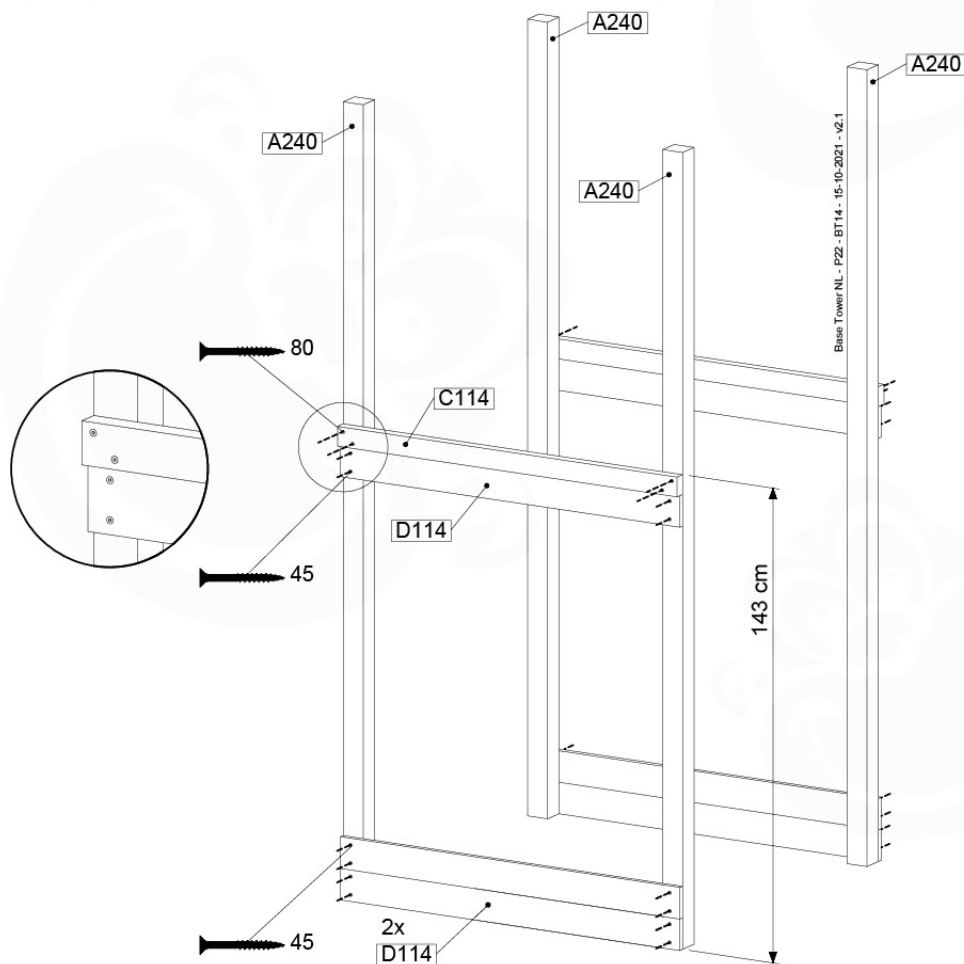
BT14

| | PartNo | PartName | QTY. |
|---------------|---------|----------------------------|------|
| Hardware pack | 001_406 | Stealth Screw 8x45 | 6 |
| | 001_417 | Stealth Screw 8x80 | 4 |
| | 002_220 | Gap Point Screw T25 - 5x45 | 118 |
| | 002_223 | Gap Point Screw T25 - 5x80 | 20 |
| | 022_31x | bpc-base version 3 | 8 |
| | 022_84x | bpc cover | 8 |
| Other | 007_001 | Ground-anchor | 2 |
| Timber | A240 | Post 70x70 L2400 | 4 |
| | C114 | Beam 1140 mm | 5 |
| | D100 | Board 1000 mm | 14 |
| | D114 | Board 1140 mm | 12 |

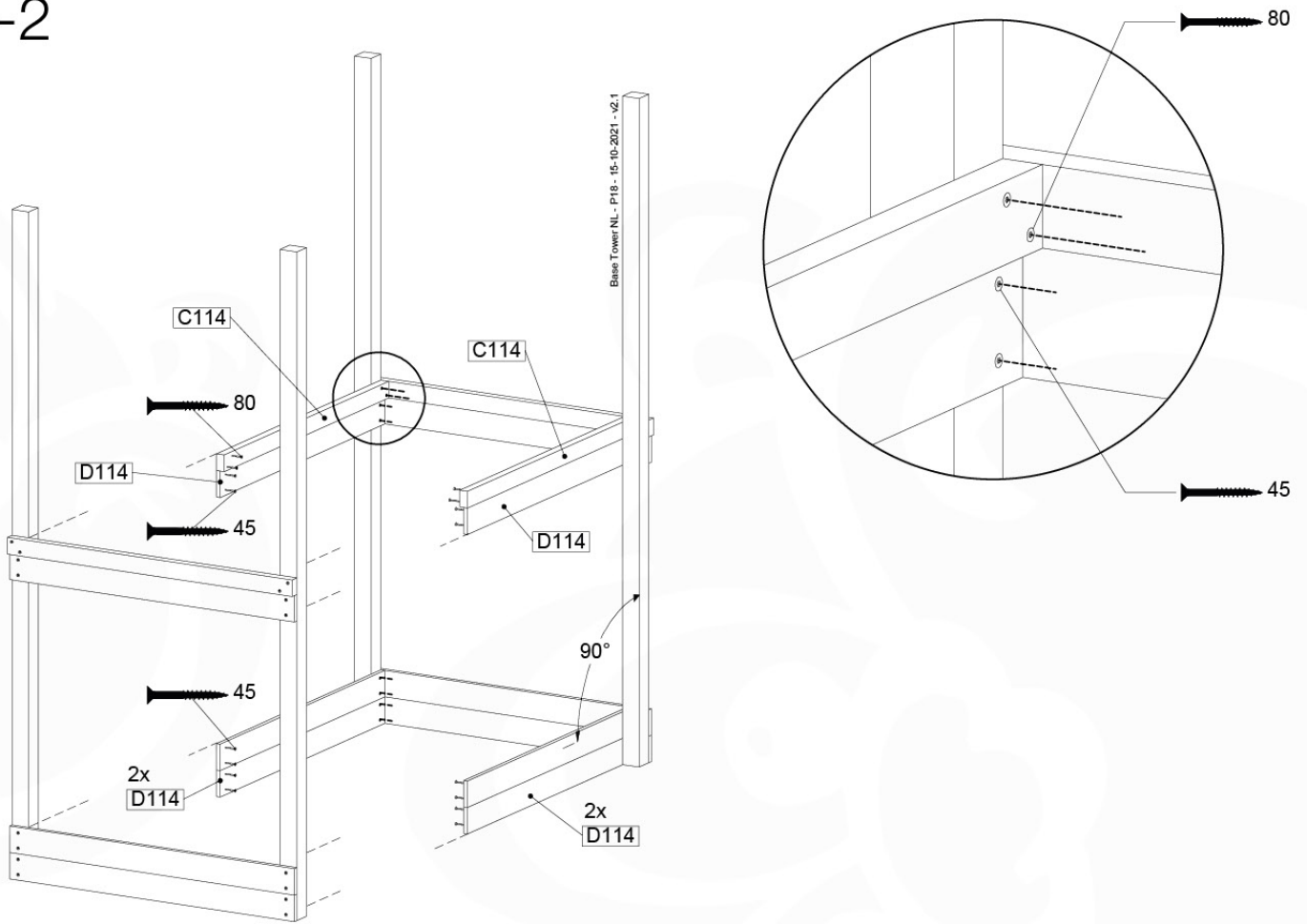
Base Tower NL - P21 - BT14 - 15-10-2021 - v2.1



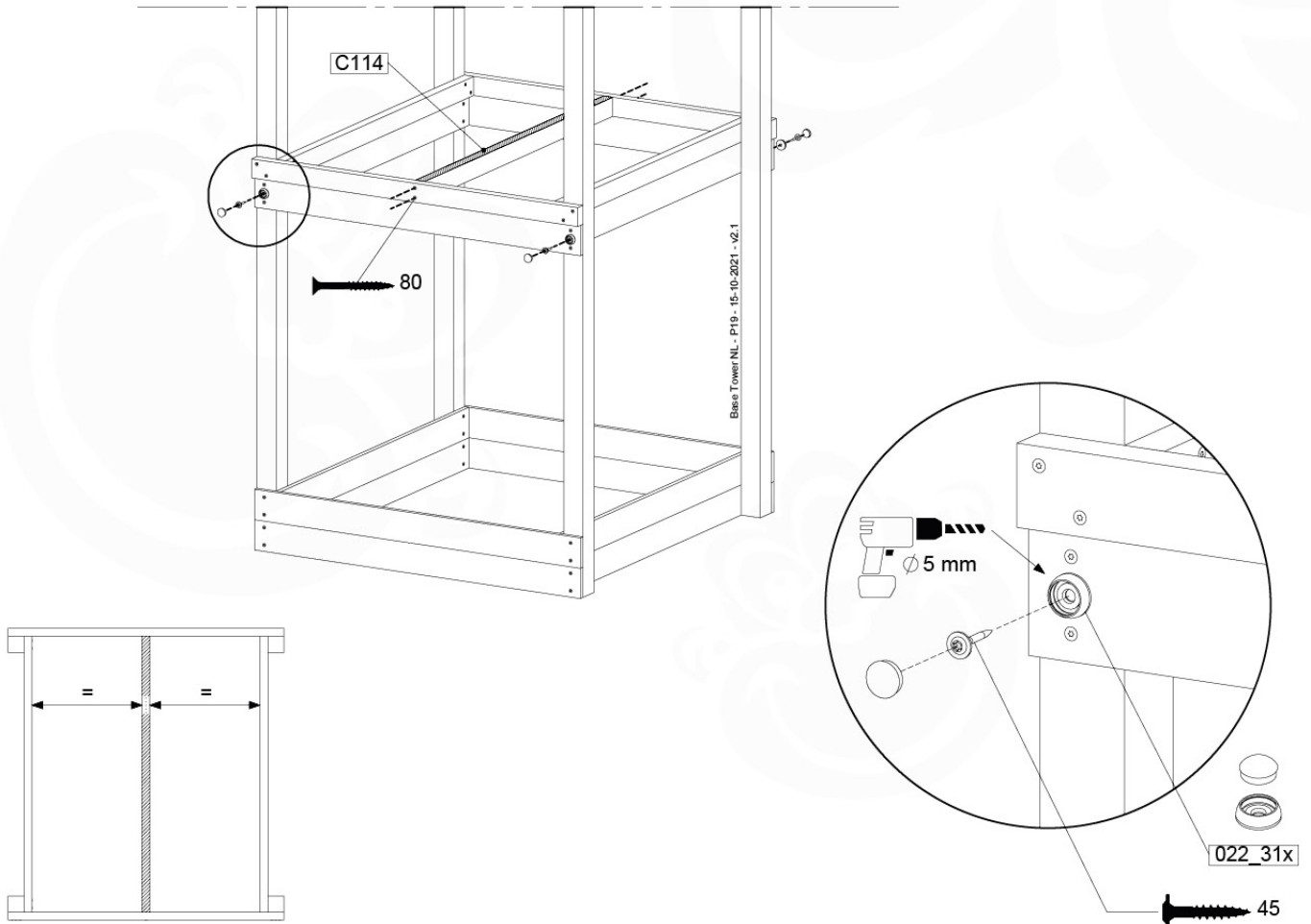
07-1



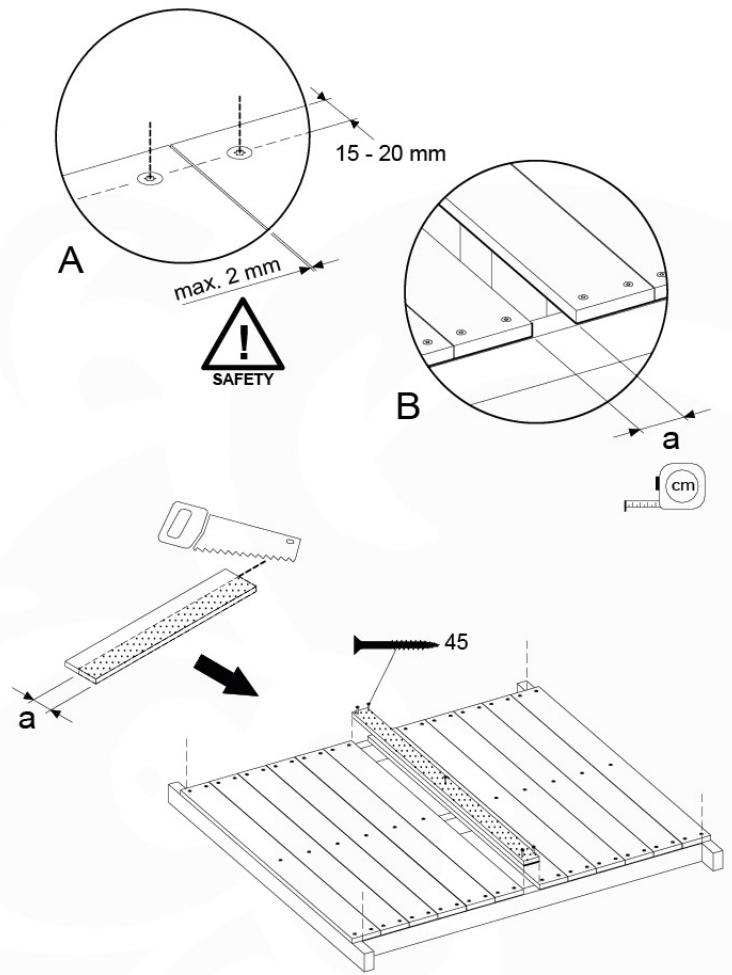
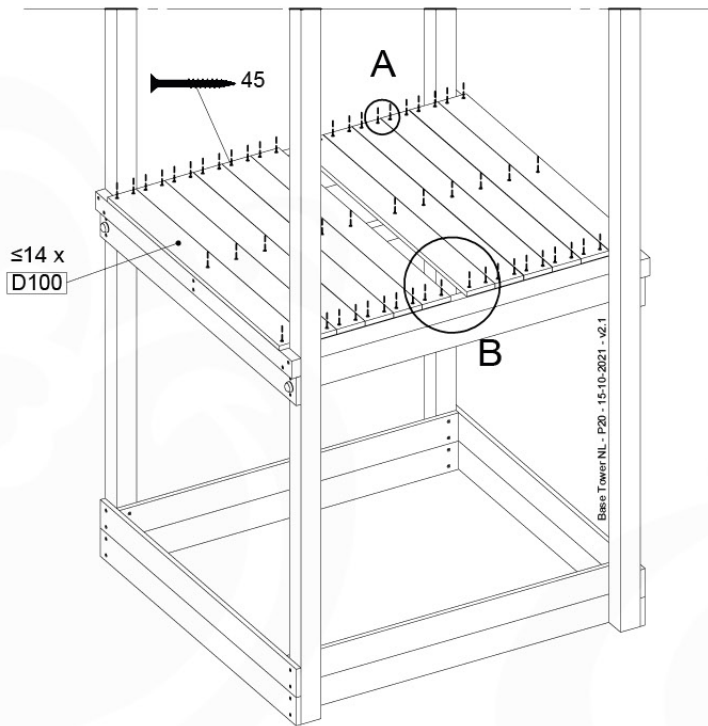
07-2



07-3

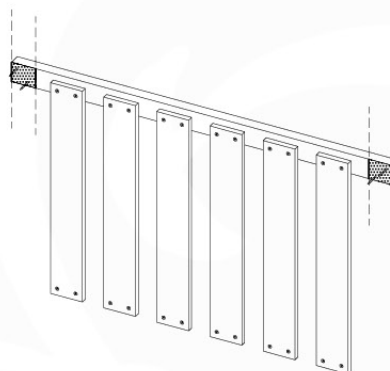


07-4



08 Balustrade

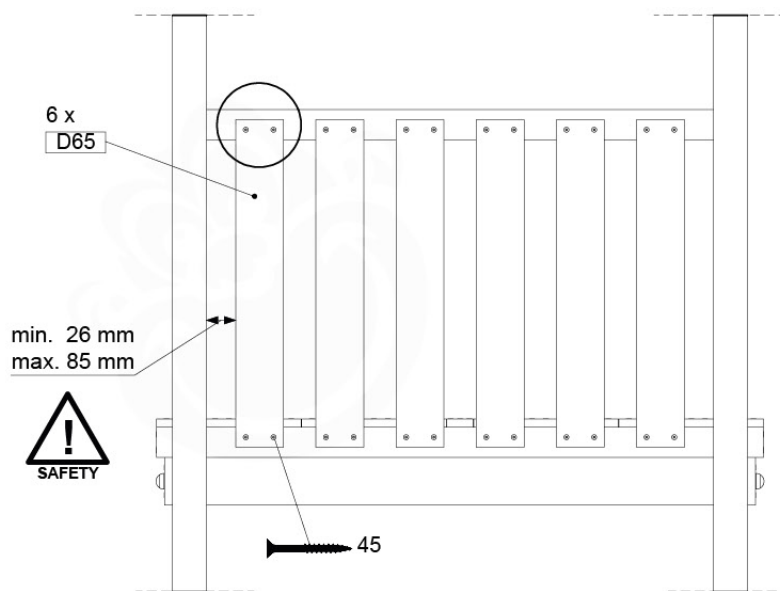
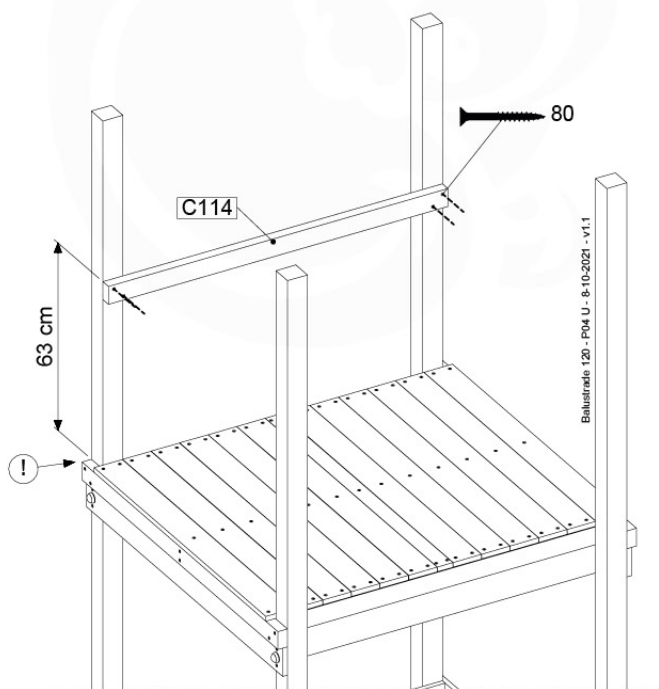
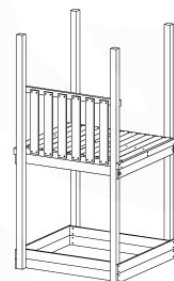
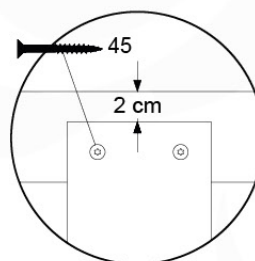
BL03



| | PartNo | PartName | QTY. |
|---------------|---------|----------------------------|------|
| Hardware Pack | 002_220 | Gap Point Screw T25 - 5x45 | 24 |
| | 002_223 | Gap Point Screw T25 - 5x80 | 4 |
| Timber | C114 | Beam 1140 mm | 1 |
| | D65 | Board 650 mm | 6 |

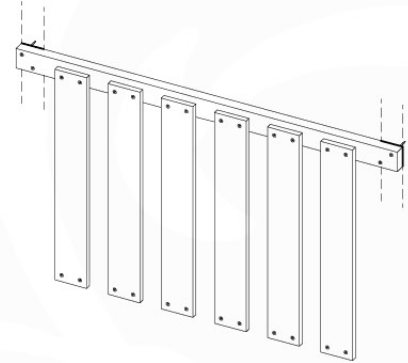
Balustrade 120 - P04 U - 8-10-2021 - v1.1

08-1



09 Balustrade

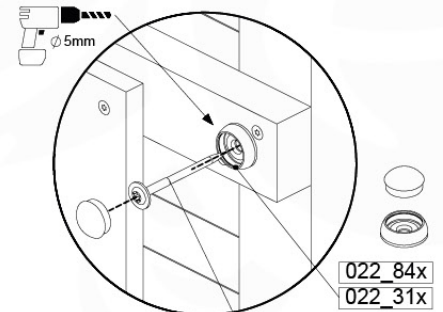
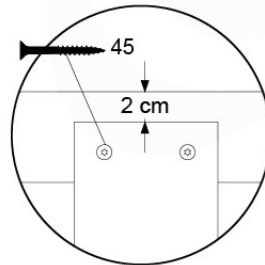
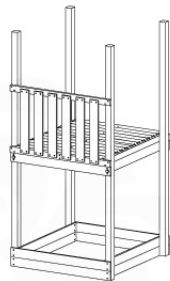
BL04



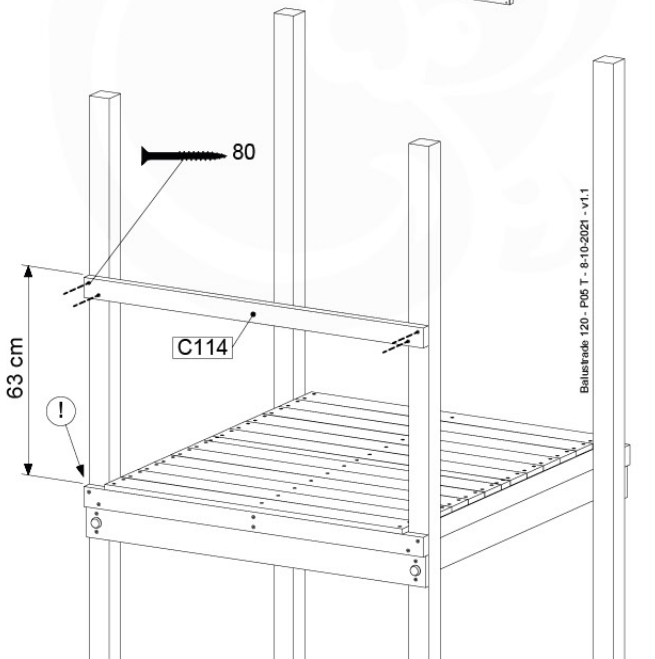
| | PartNo | PartName | QTY. |
|---------------|---------|----------------------------|------|
| Hardware Pack | 002_220 | Gap Point Screw T25 - 5x45 | 24 |
| | 002_223 | Gap Point Screw T25 - 5x80 | 4 |
| Timber | C114 | Beam 1140 mm | 1 |
| | D65 | Board 650 mm | 6 |

Balustrade 120 - P03 T - 8-10-2021 - v1.1

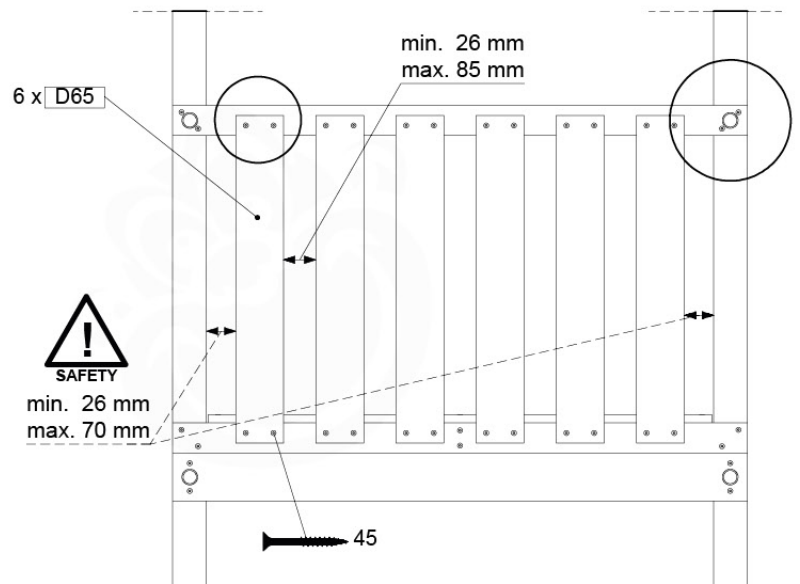
09-1



HARDWARE PACK TOWER → 80



Balustrade 120 - P06 T - 8-10-2021 - v1.1

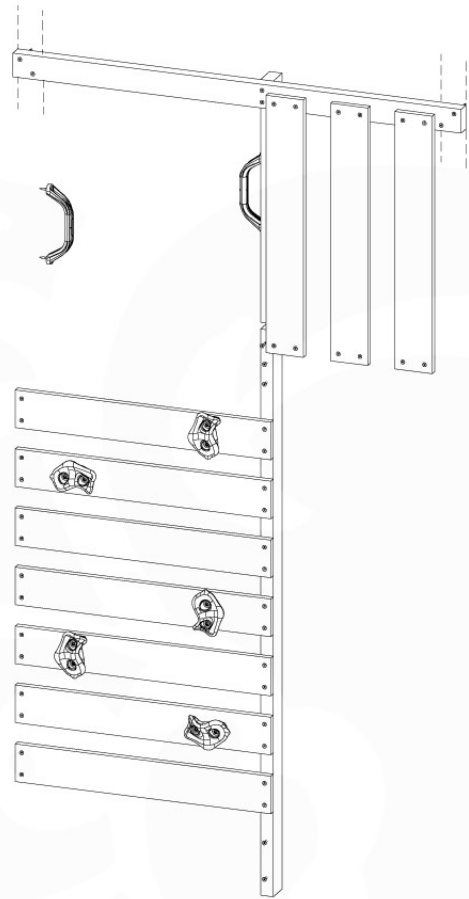


10 Rock Wall

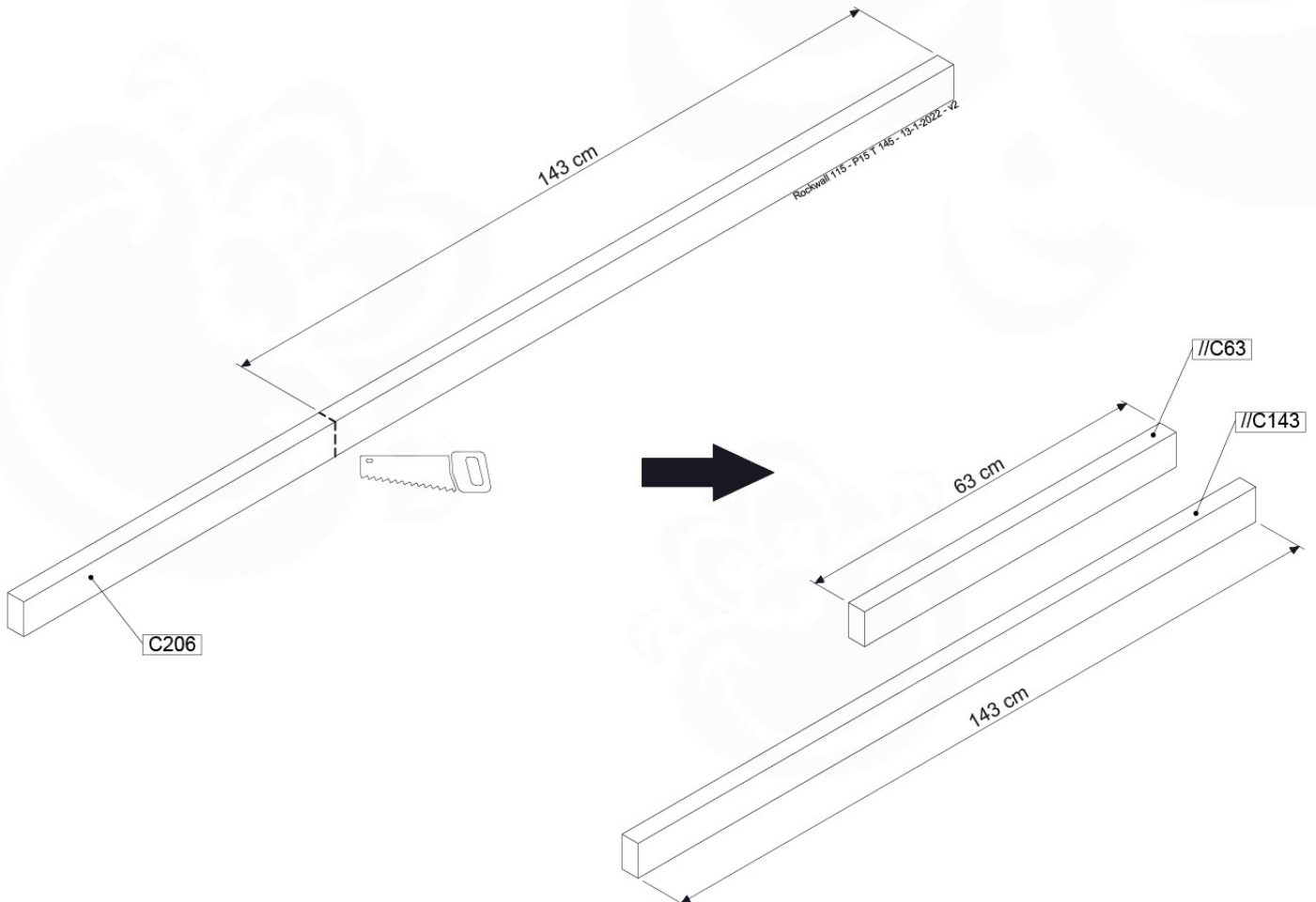
RW11

| | PartNo | PartName | QTY. |
|---------------|---------|-----------------------------|------|
| Hardware Pack | 001_102 | Washer Head Screw T40 M8x30 | 10 |
| | 002_220 | Gap Point Screw T25 - 5x45 | 44 |
| | 002_223 | Gap Point Screw T25 - 5x80 | 9 |
| | 003_010 | M8 spring lock washer | 10 |
| | 004_050 | M8 22mm Drive in Nut | 10 |
| Other | 022_50x | Climbing Rock | 5 |
| | 120_102 | Handgrip set (complete 2x) | 1 |
| Timber | C114 | Beam 1140 mm | 1 |
| | C206 | Beam 2060 mm | 1 |
| | D65 | Board 650 mm | 10 |

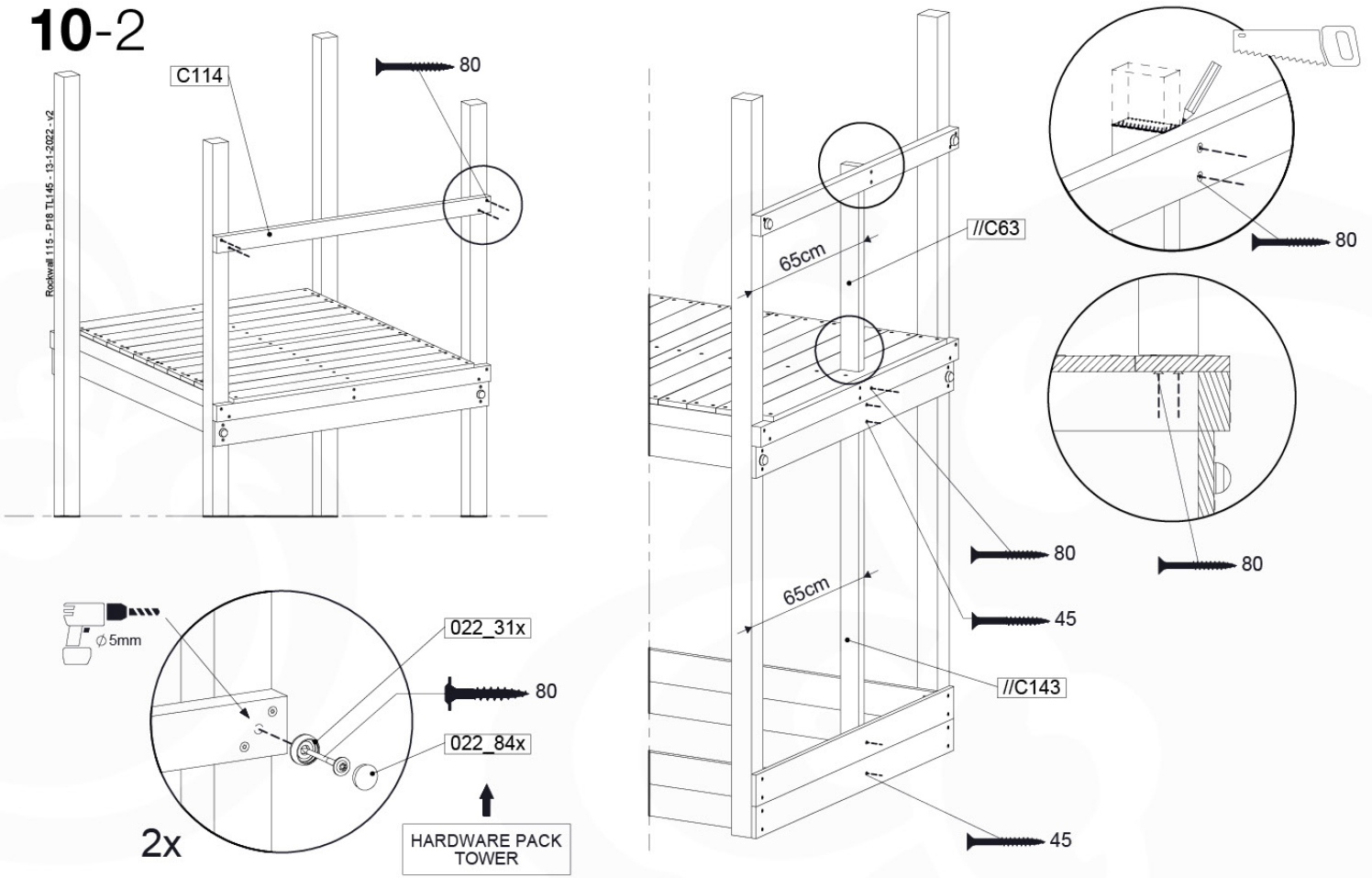
Rockwall 115 - P08 TL 145 - 13-1-2022 - v2



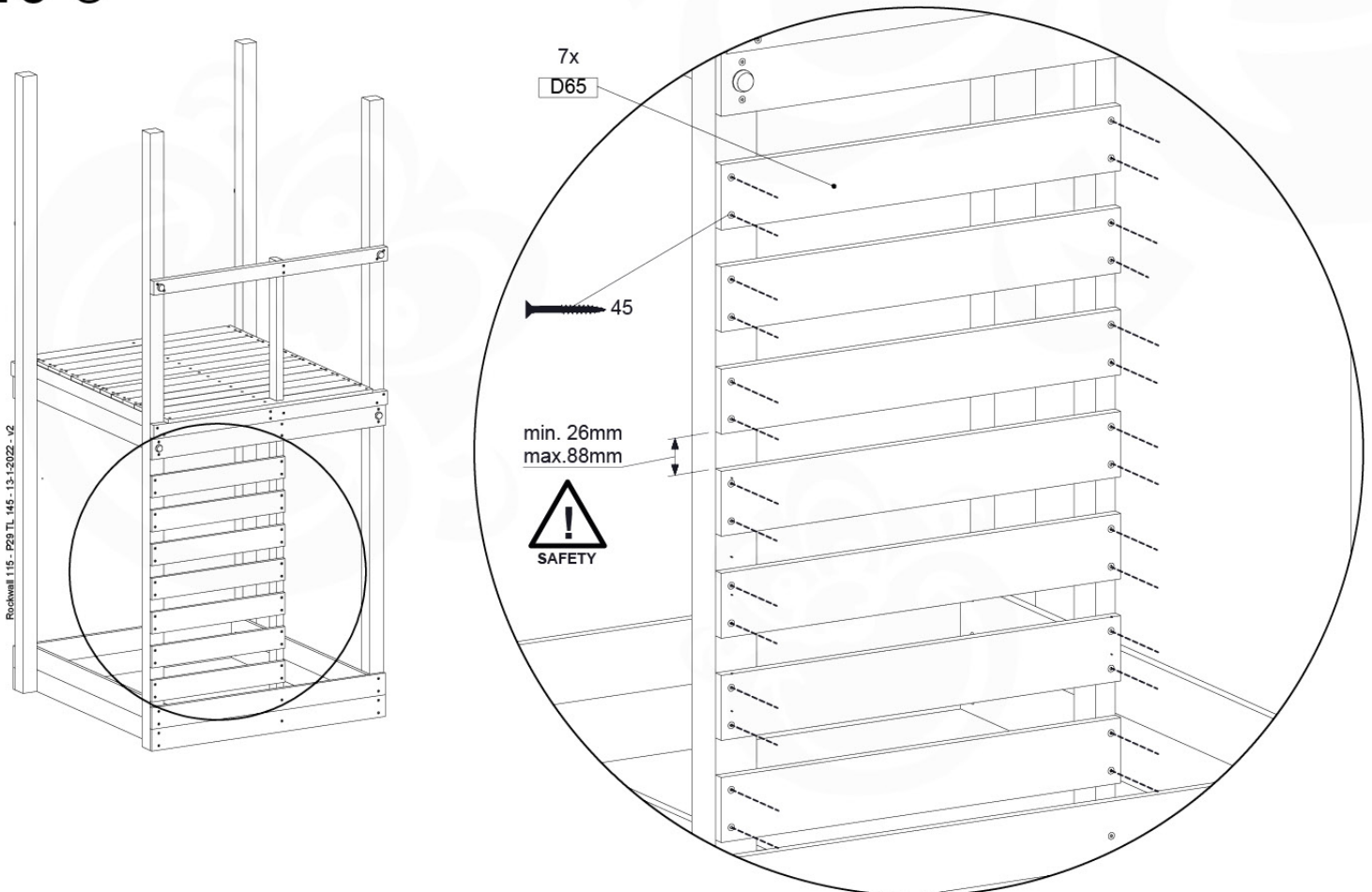
10-1



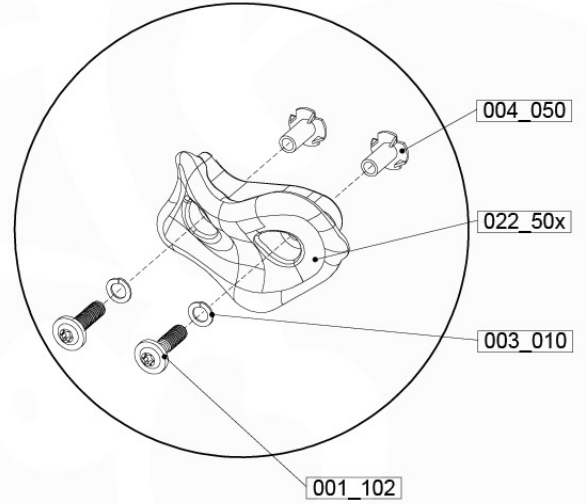
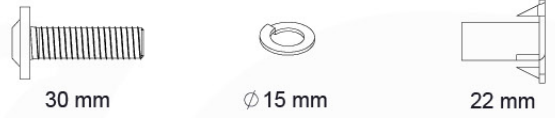
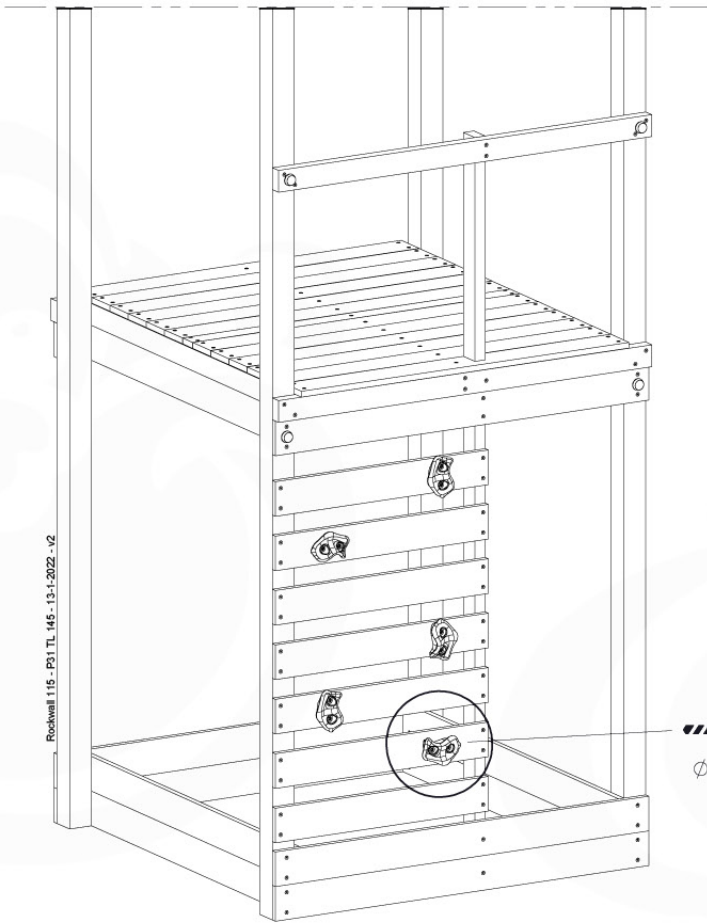
10-2



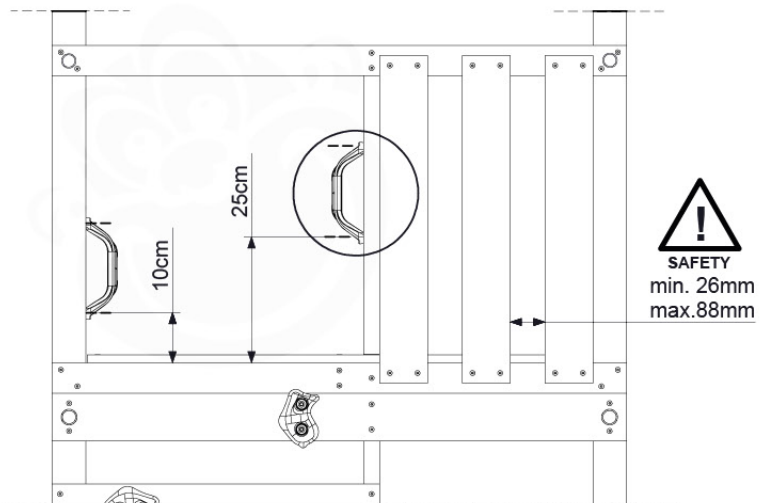
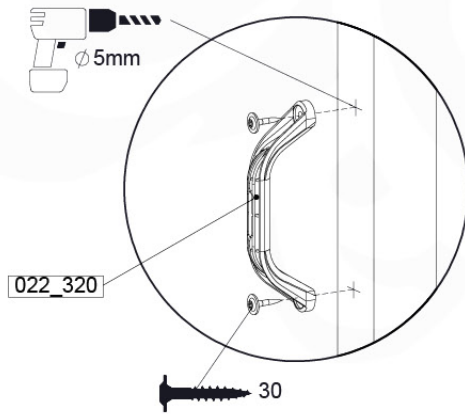
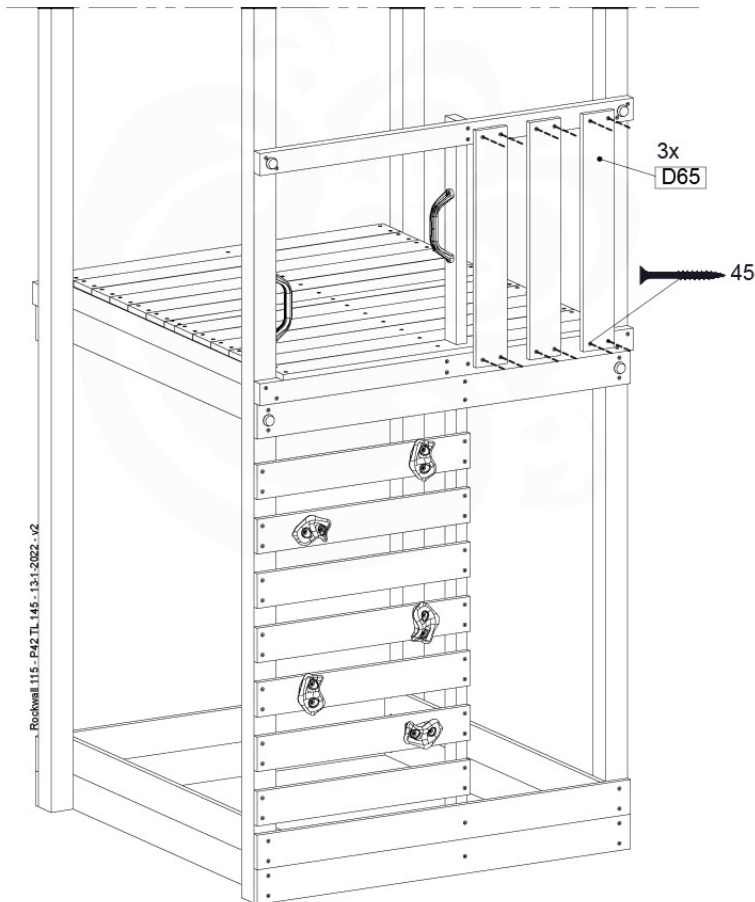
10-3



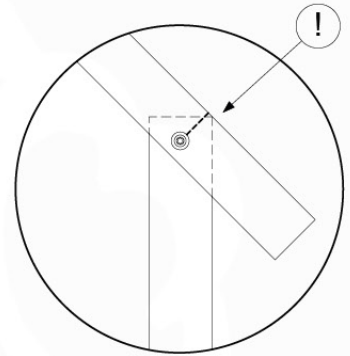
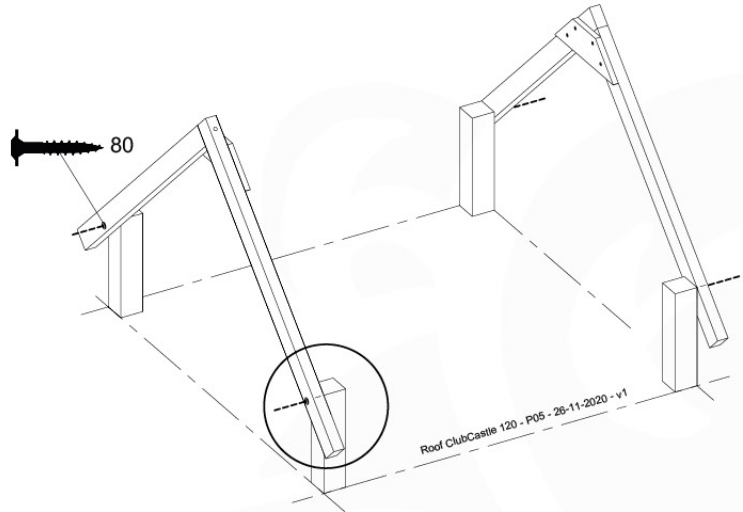
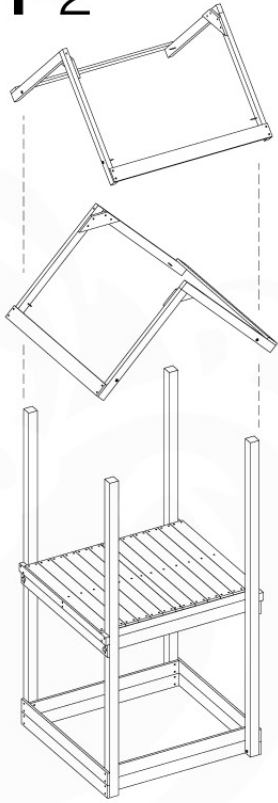
10-4



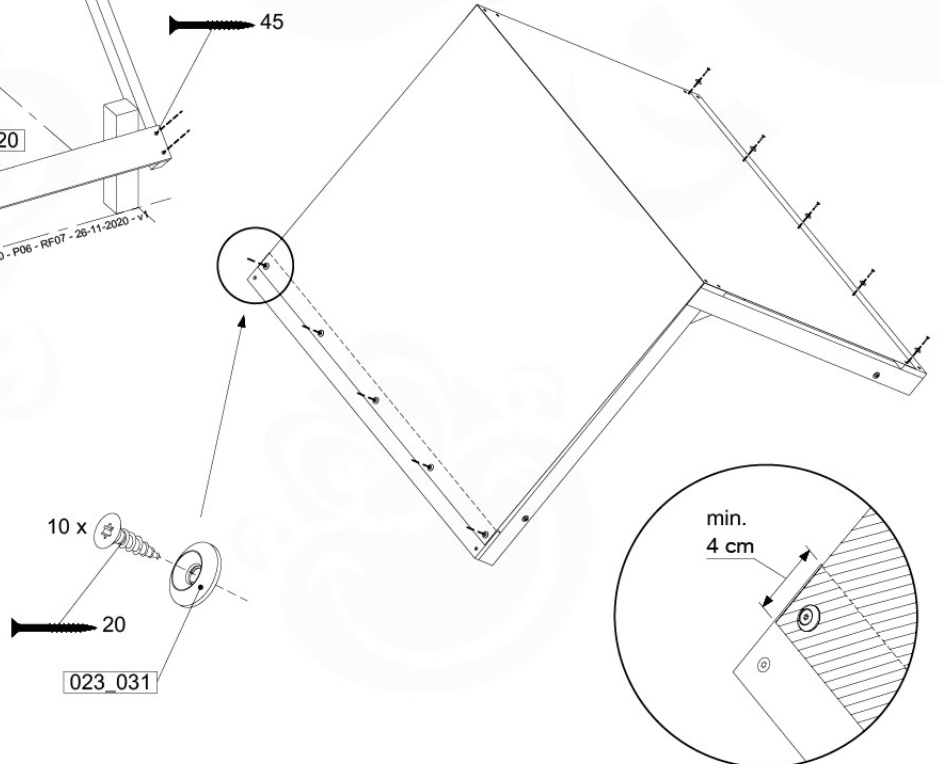
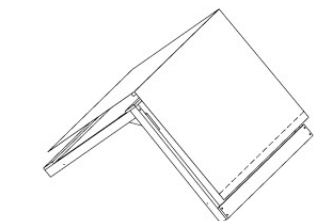
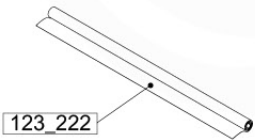
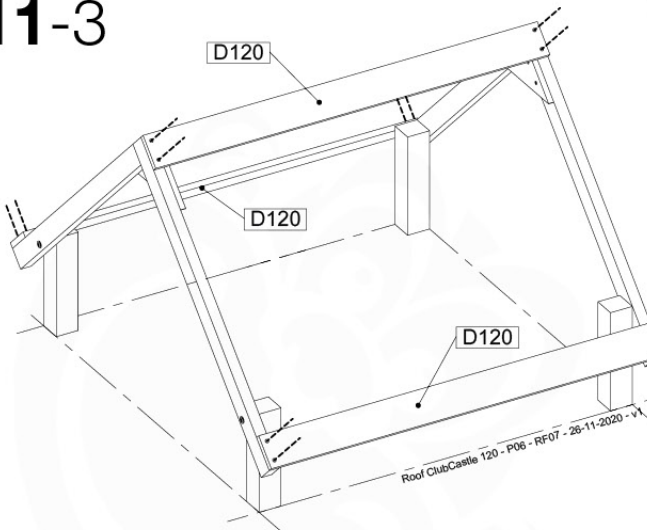
10-5



11-2



11-3



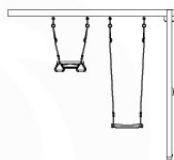
12 Swing Module / Climb Module



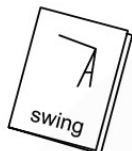
➔ **13**



+



➔



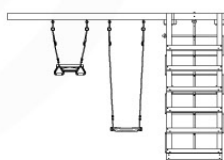
➔

13

1-Swing Module / 2-Swing Module
457_101
457_102



+



➔



➔

13

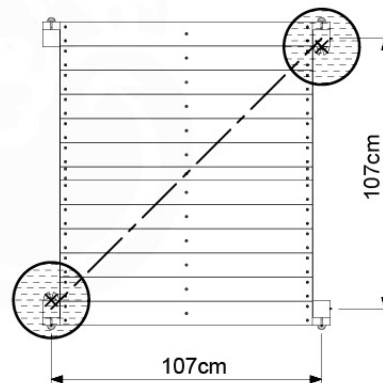
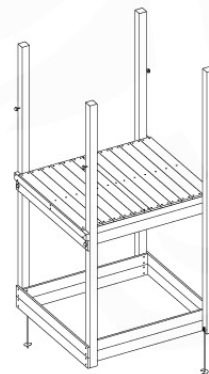
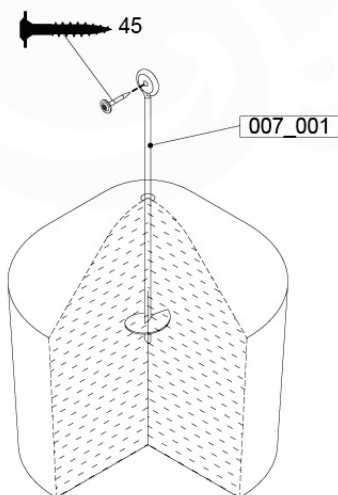
1-Climb Module / 2-Climb Module
457_105
457_106

13 Ground Anchors

GA05

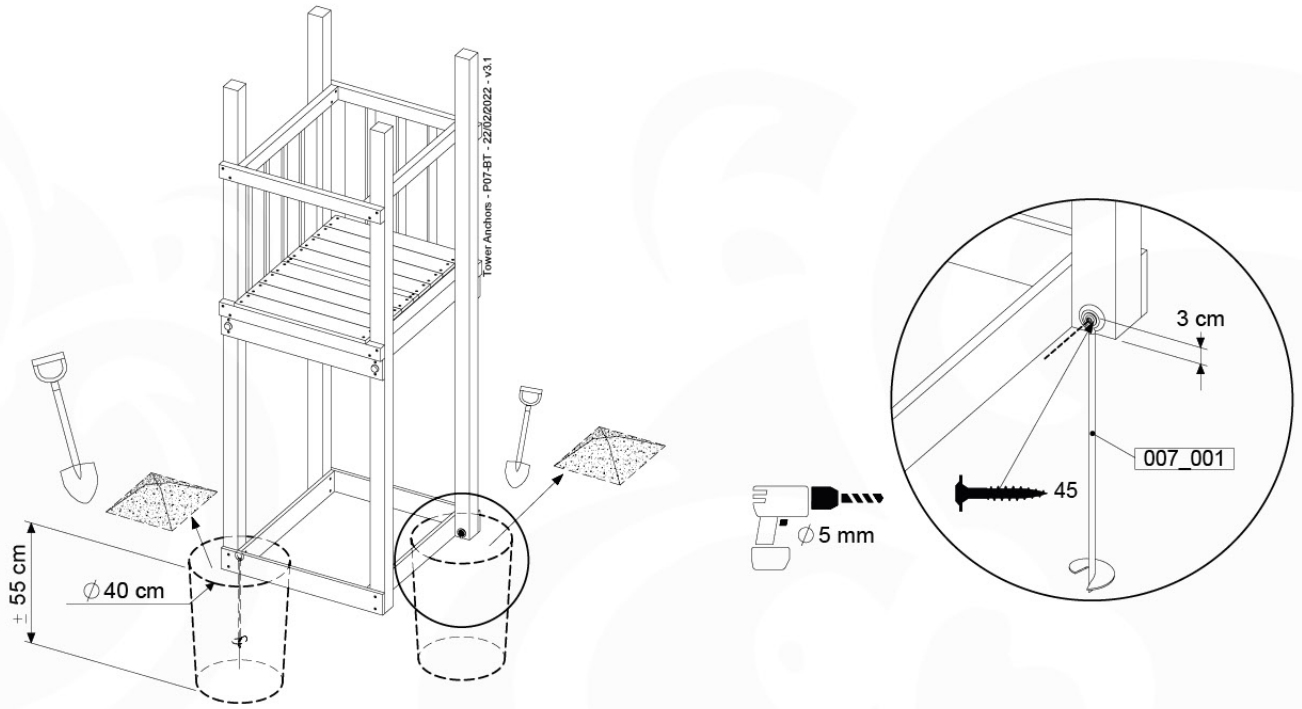
Parts:

Assembly Package Tower
194_300

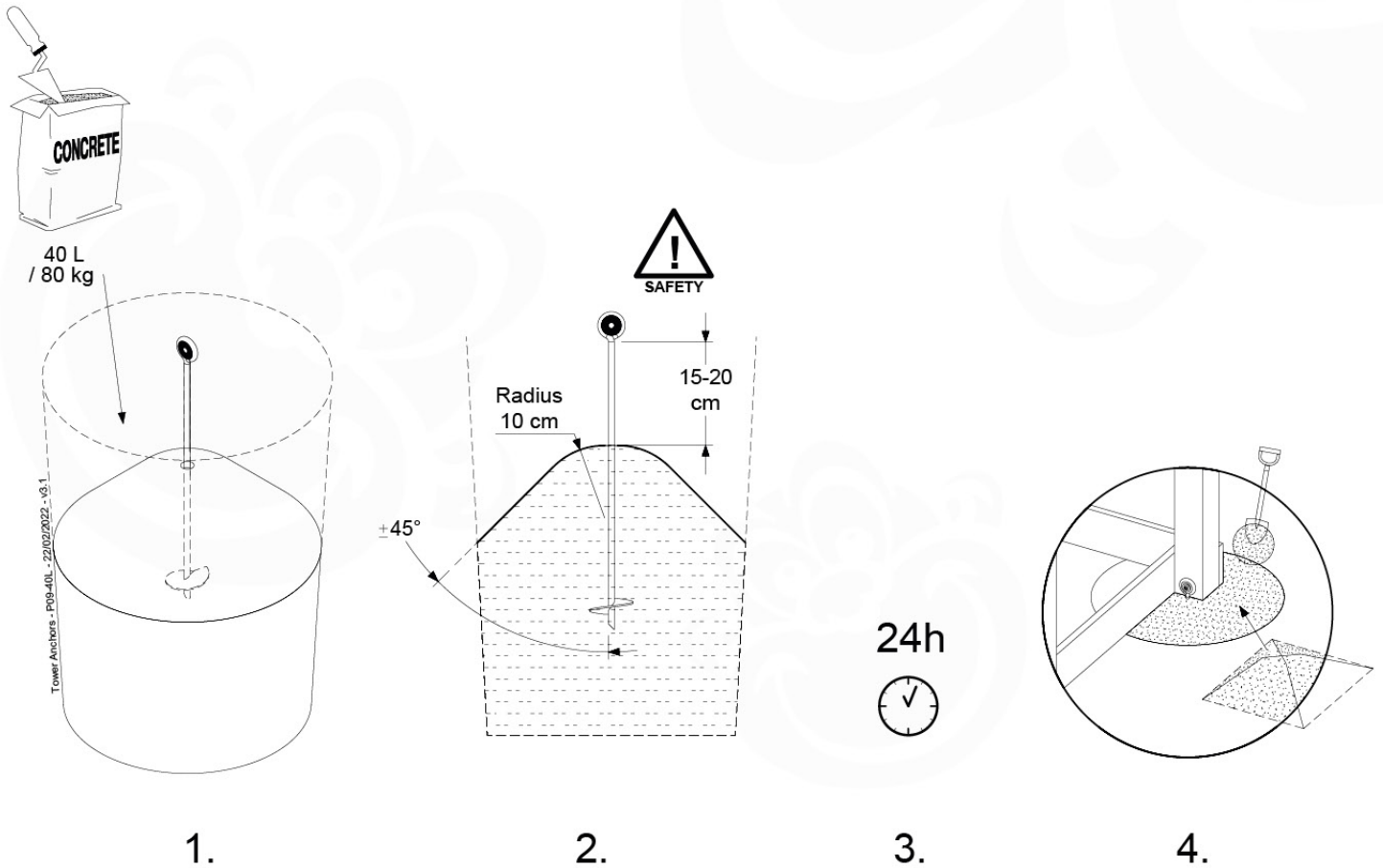


Tower Anchors - Pkg-GA05 - 22022022 - V3.1

13-1



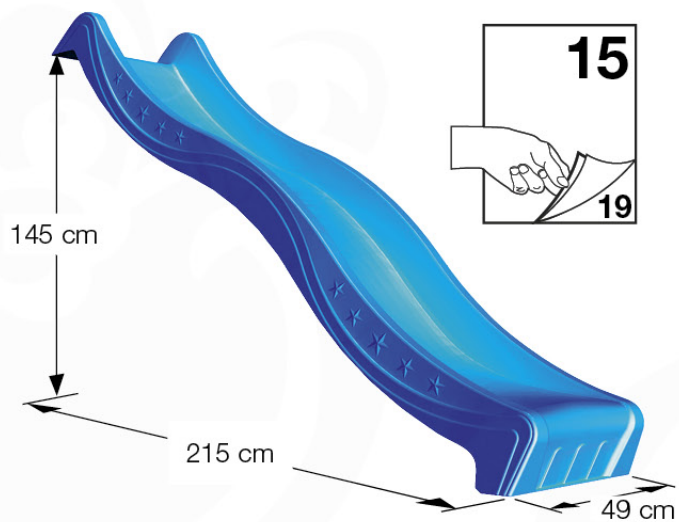
13-2



14 Add-on

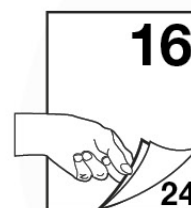
Wavy Star Slide XXL

- 334_100 Yellow
- 334_200 Blue
- 334_300 Green
- 334_400 Red
- 334_500 Fuchsia
- 334_600 Dark Green



Fireman's Pole

201_275

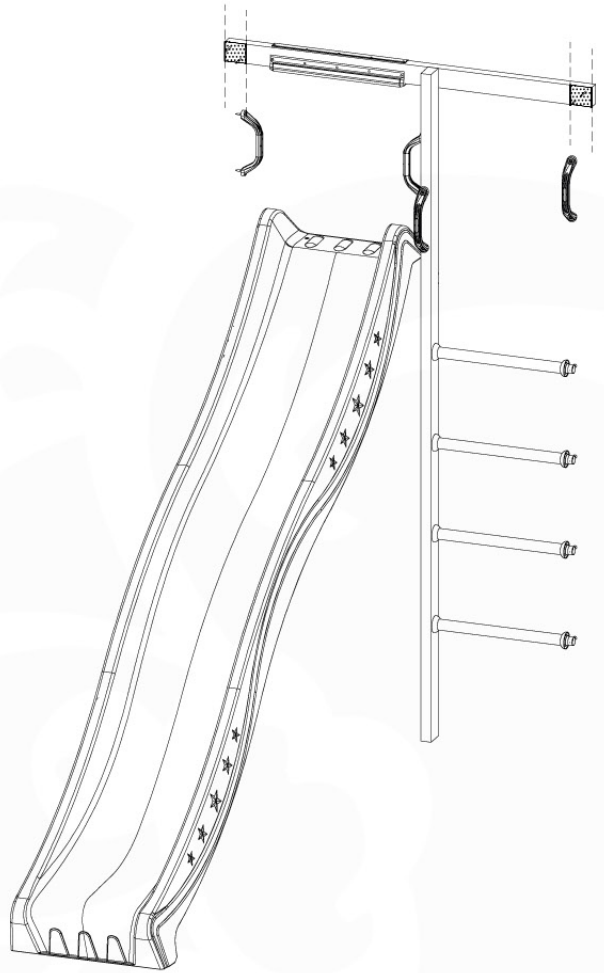


15 Slide Set

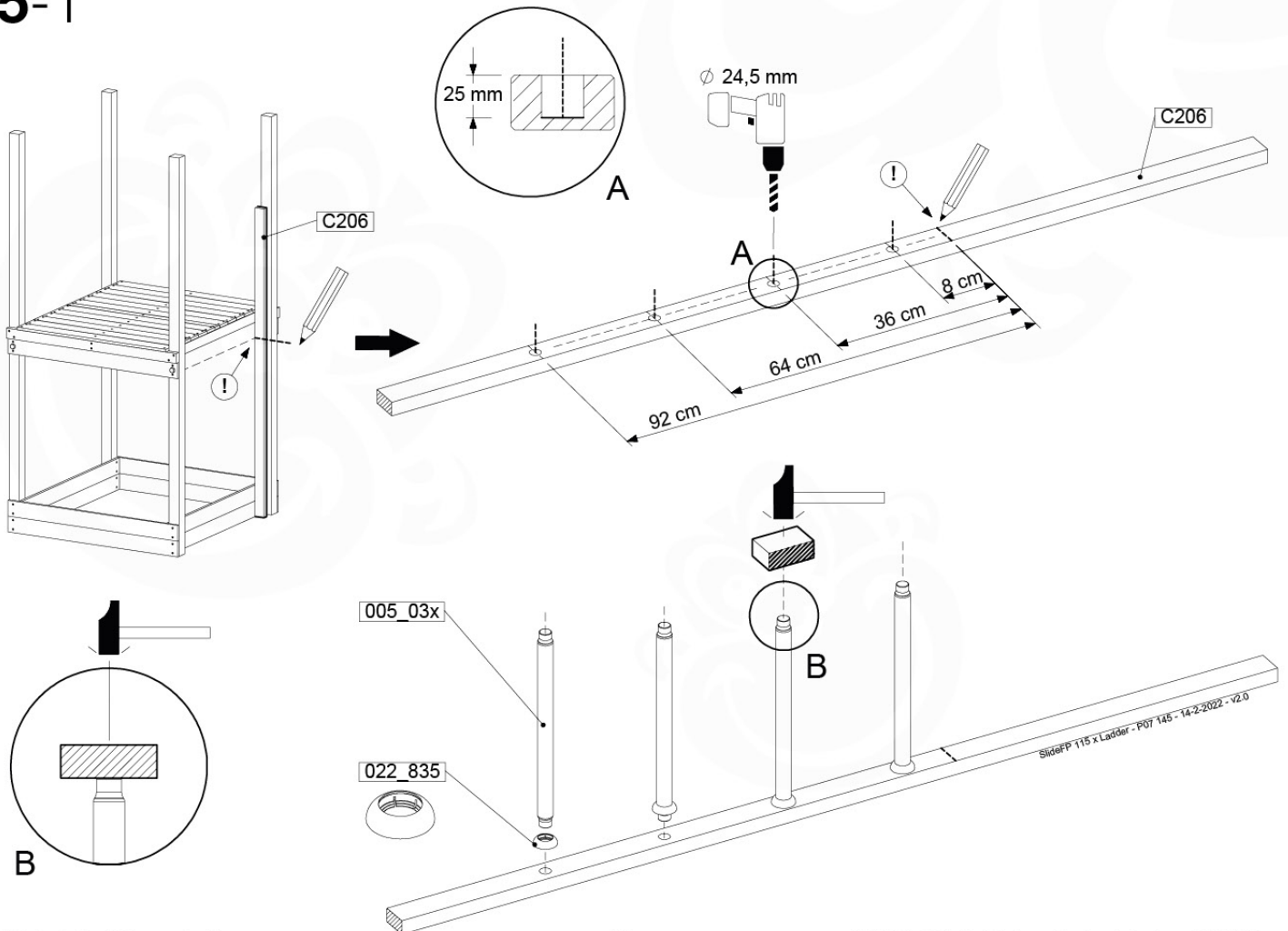
SL18

| | PartNo | PartName | QTY. |
|---------------|---------|-----------------------------|------|
| Hardware Pack | 000_101 | Nail Pan Head | 10 |
| | 002_220 | Gap Point Screw T25 - 5x45 | 12 |
| | 002_223 | Gap Point Screw T25 - 5x80 | 8 |
| | 002_308 | Gap Point Screw T25 - 5x20 | 2 |
| Other | 005_03x | Ladder Rung Y/B/G/R | 4 |
| | 022_835 | Rung Cap | 8 |
| | 120_102 | Handgrip set (complete 2x) | 2 |
| | 123_200 | Bumperpad | 1 |
| | 334_xxx | Wavy Star Slide XXL 2650 mm | 1 |
| Timber | C114 | Beam 1140 mm | 1 |
| | C206 | Beam 2060 mm | 1 |

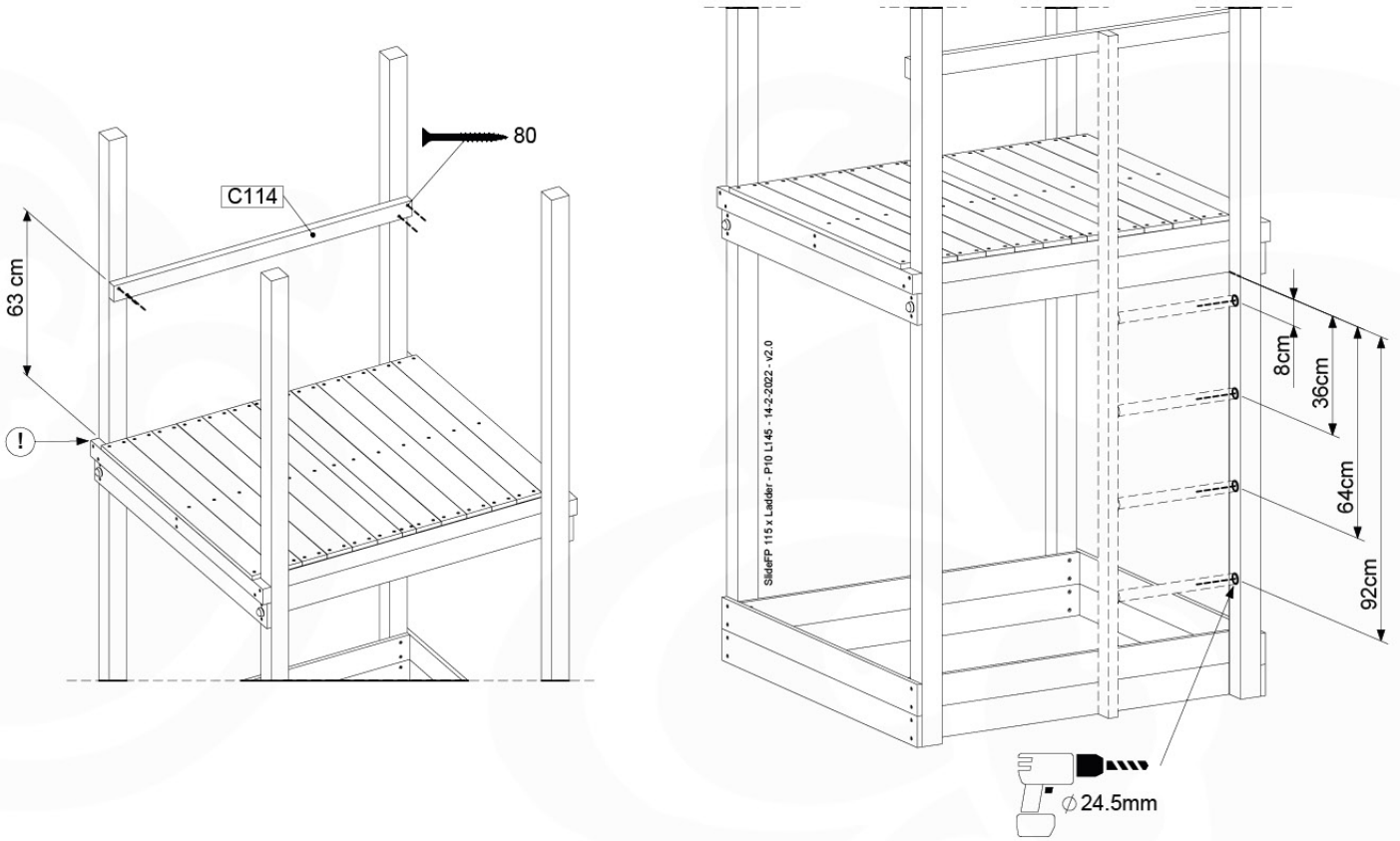
SlideFP 115 x Ladder - P04.L145 - 14-2-2022 - v2.0



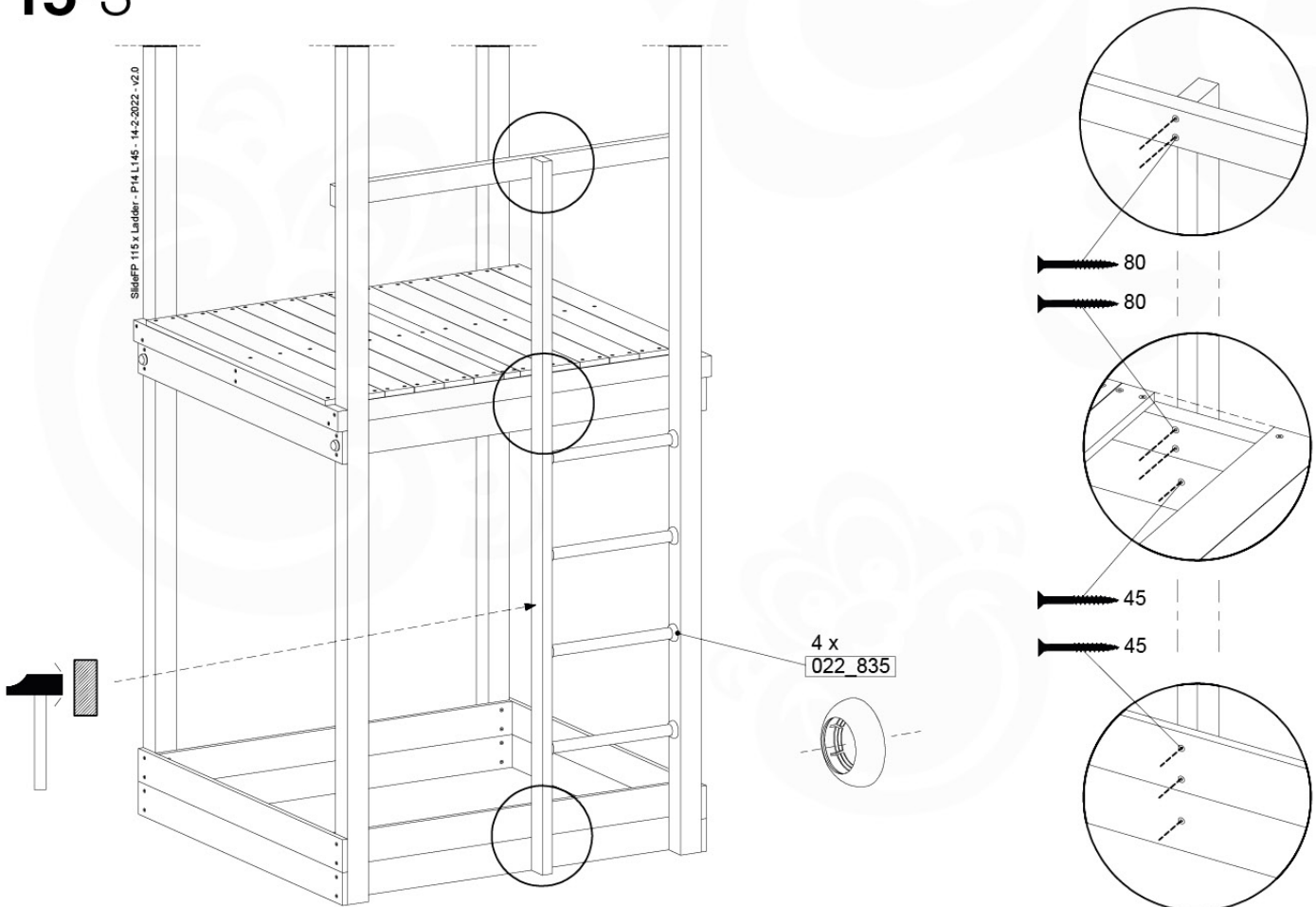
15-1



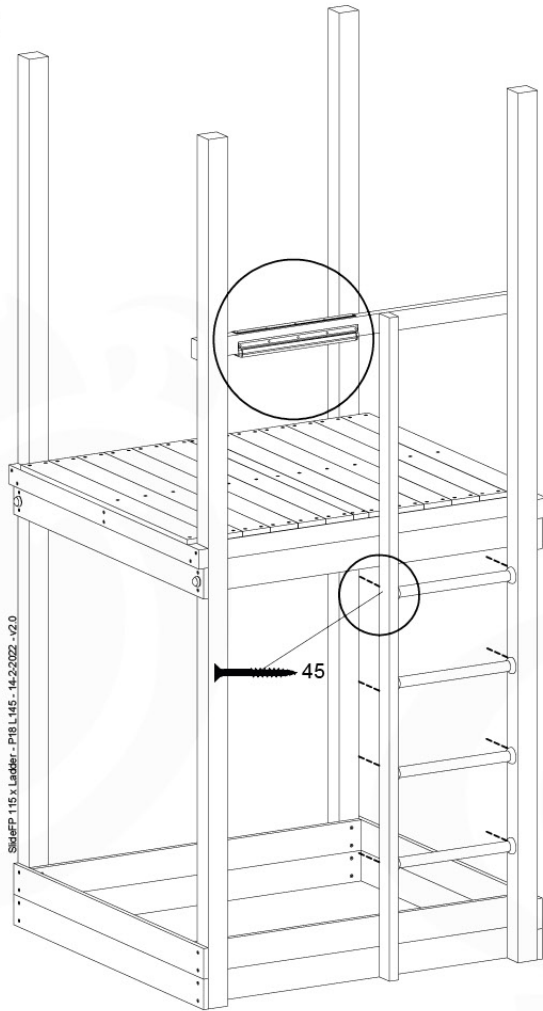
15-2



15-3

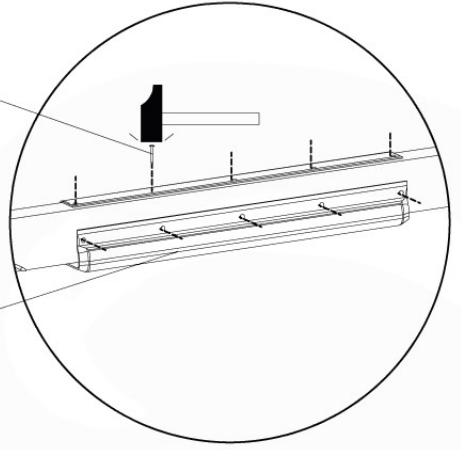


15-4



SlideP-115 x Ladder - P18.L145 - 14-2-2022 - v2.0

10 x
000_101



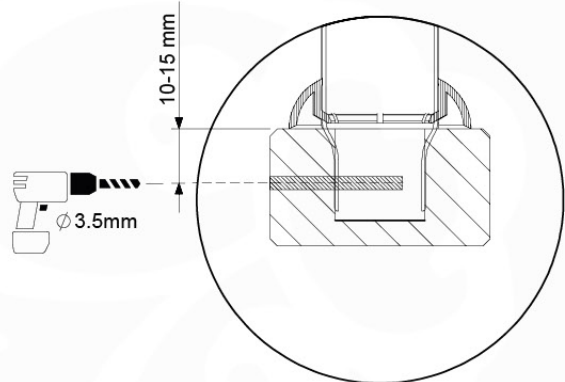
123_200



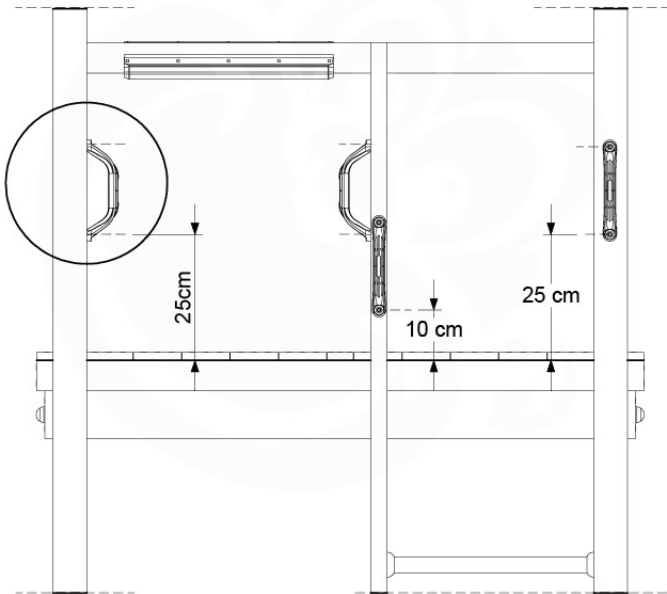
45

10-15 mm

Ø 3.5mm



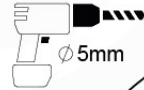
15-5



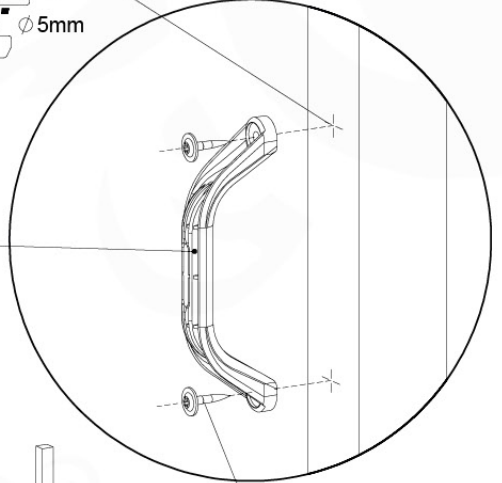
25cm

10 cm

25 cm



Ø 5mm



022_320

30



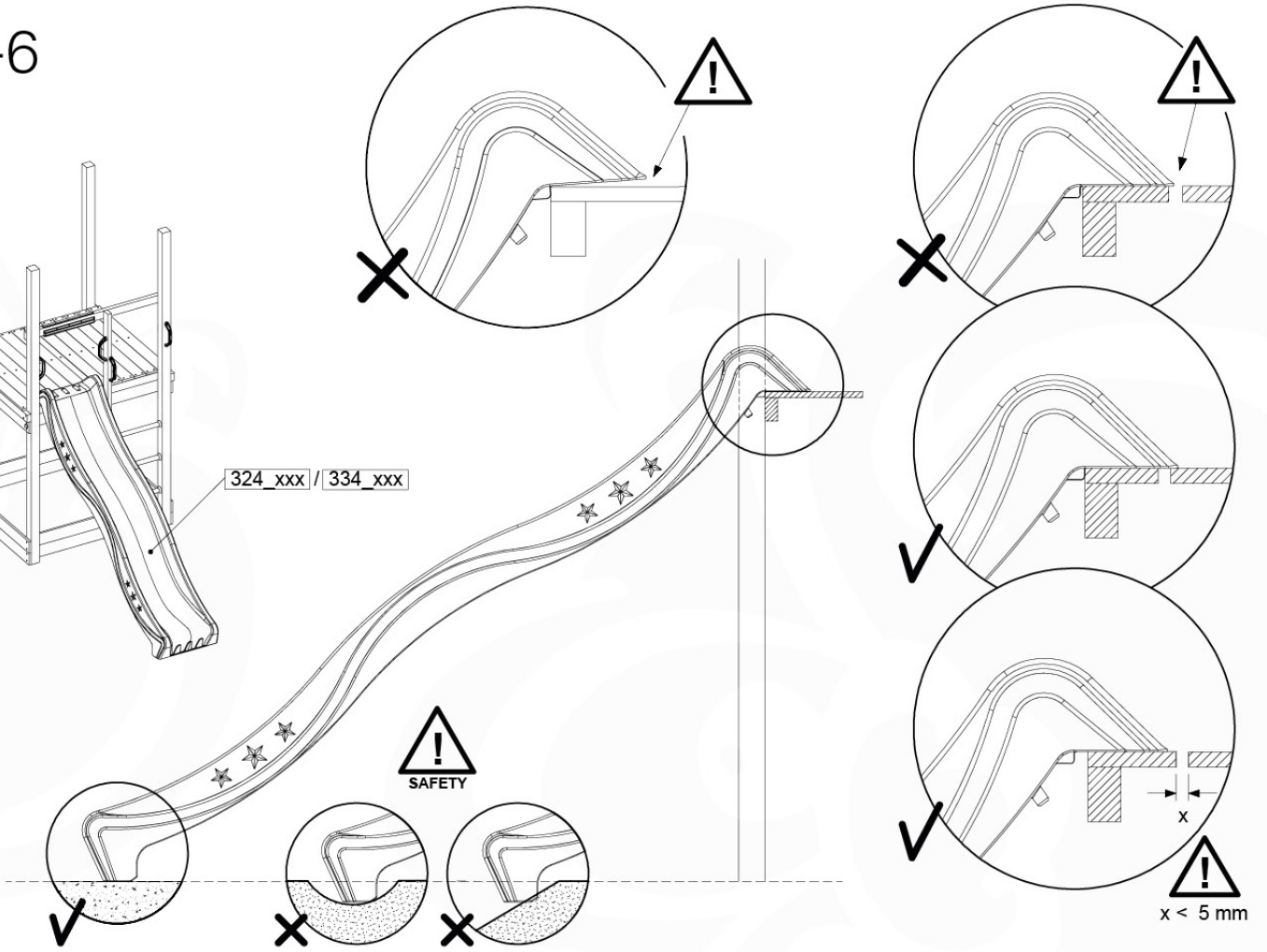
SlideP-115 x Ladder - P20 UL - 14-2-2022 - v2.0



15-6

SlideFP 115 x Ladder - P22 UL - 14-2-2022 - v2.0

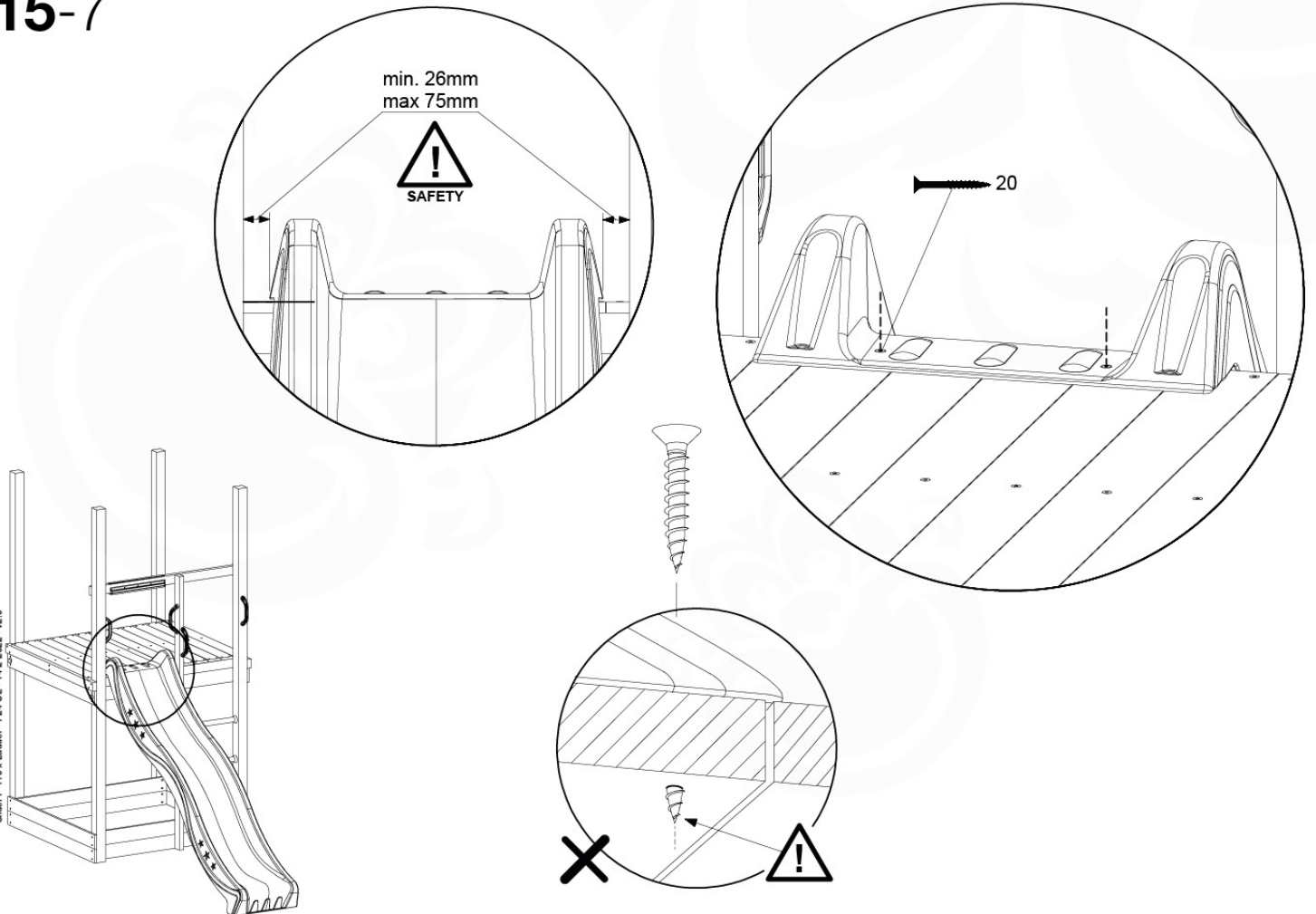
324_XXX / 334_XXX



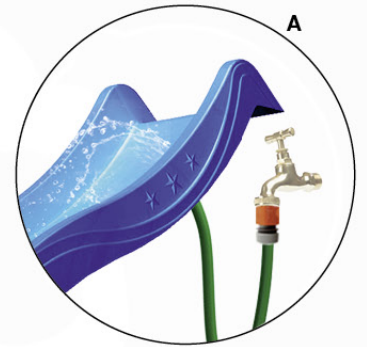
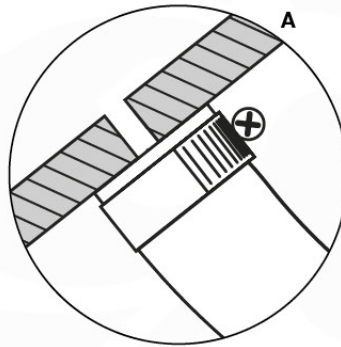
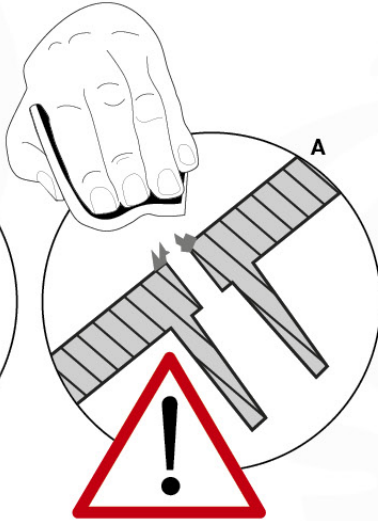
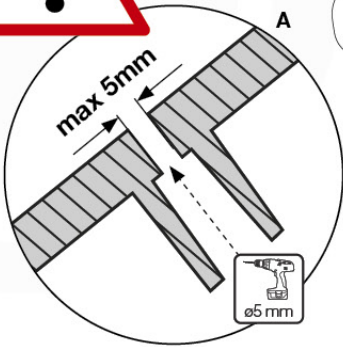
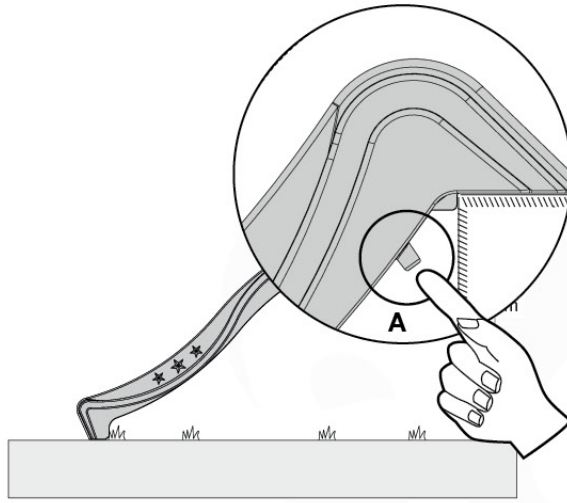
15-7

SlideFP 115 x Ladder - P24 UL - 14-2-2022 - v2.0

min. 26mm
max 75mm



15-8

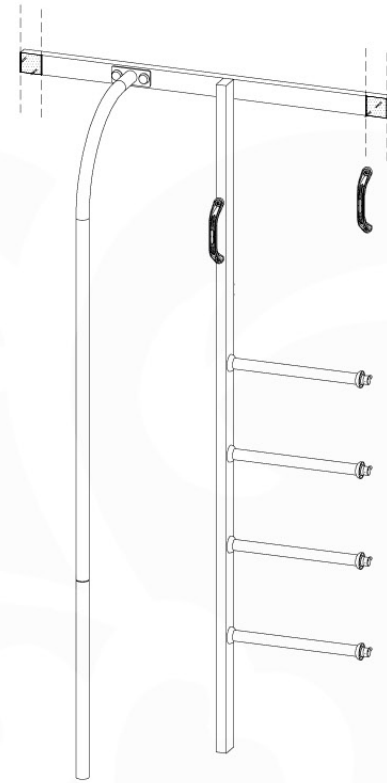


16 Firemans Pole

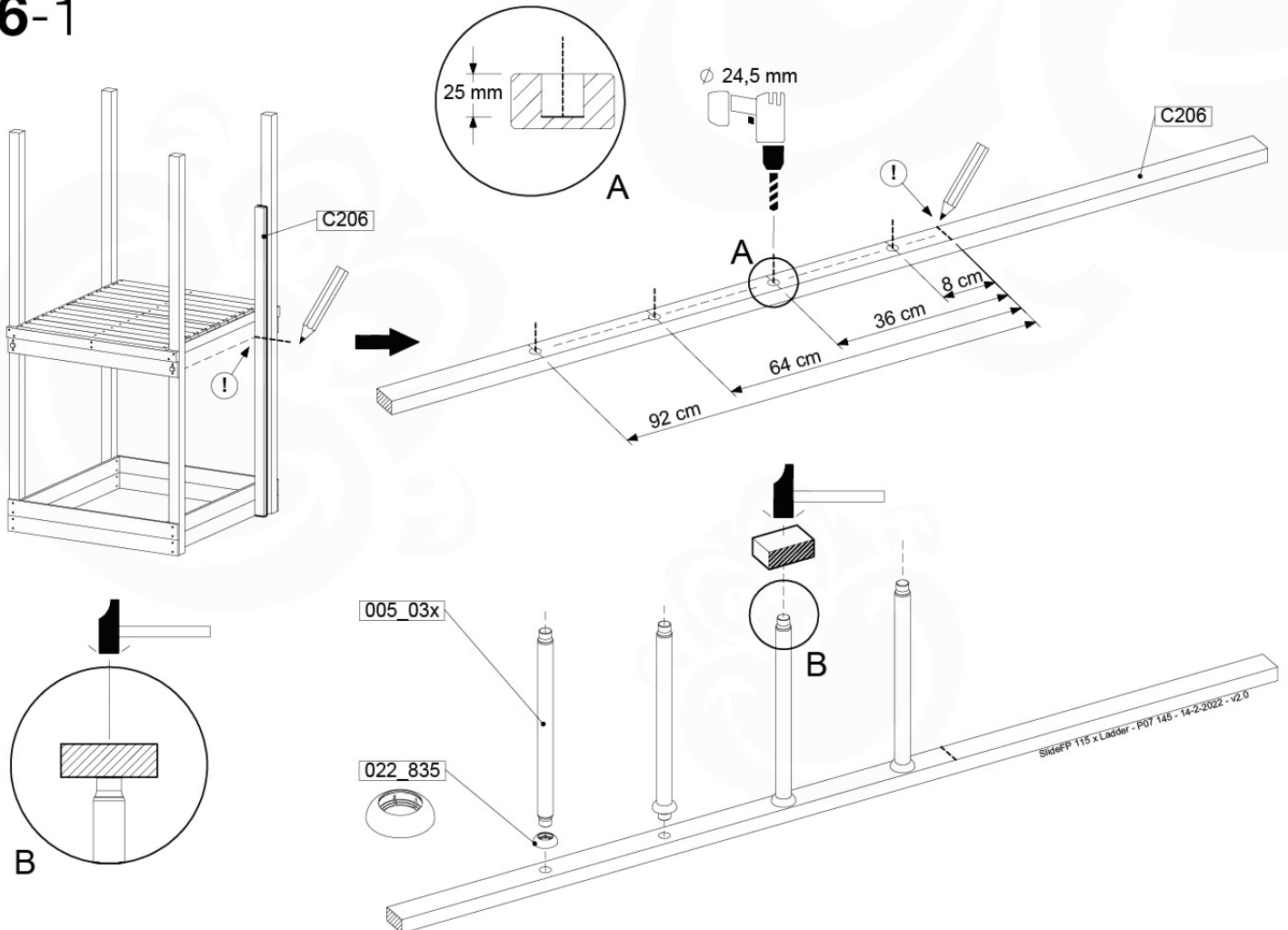
FP17

| | PartNo | PartName | QTY. |
|------------------|---------|----------------------------|------|
| Hardware Pack(s) | 001_103 | M8 Washer Head Screw 40mm | 2 |
| | 002_220 | Gap Point Screw T25 - 5x45 | 12 |
| | 002_223 | Gap Point Screw T25 - 5x80 | 8 |
| | 003_010 | M8 spring lock washer | 2 |
| | 003_040 | M8 Washer | 2 |
| | 004_052 | M8 Drive-in Nut 30mm | 2 |
| | 004_054 | M8 Drive-in Nut 45mm | 2 |
| Other | 005_03x | Ladder Rung Y/B/G/R | 4 |
| | 022_31x | bpc-base version 3 | 2 |
| | 022_84x | bpc cover | 2 |
| | 022_835 | Rung Cap | 8 |
| | 102_915 | Fireman's Pole | 1 |
| | 120_102 | Handgrip set (complete 2x) | 1 |
| Timber | C114 | Beam 1140 mm | 1 |
| | C206 | Beam 2060 mm | 1 |

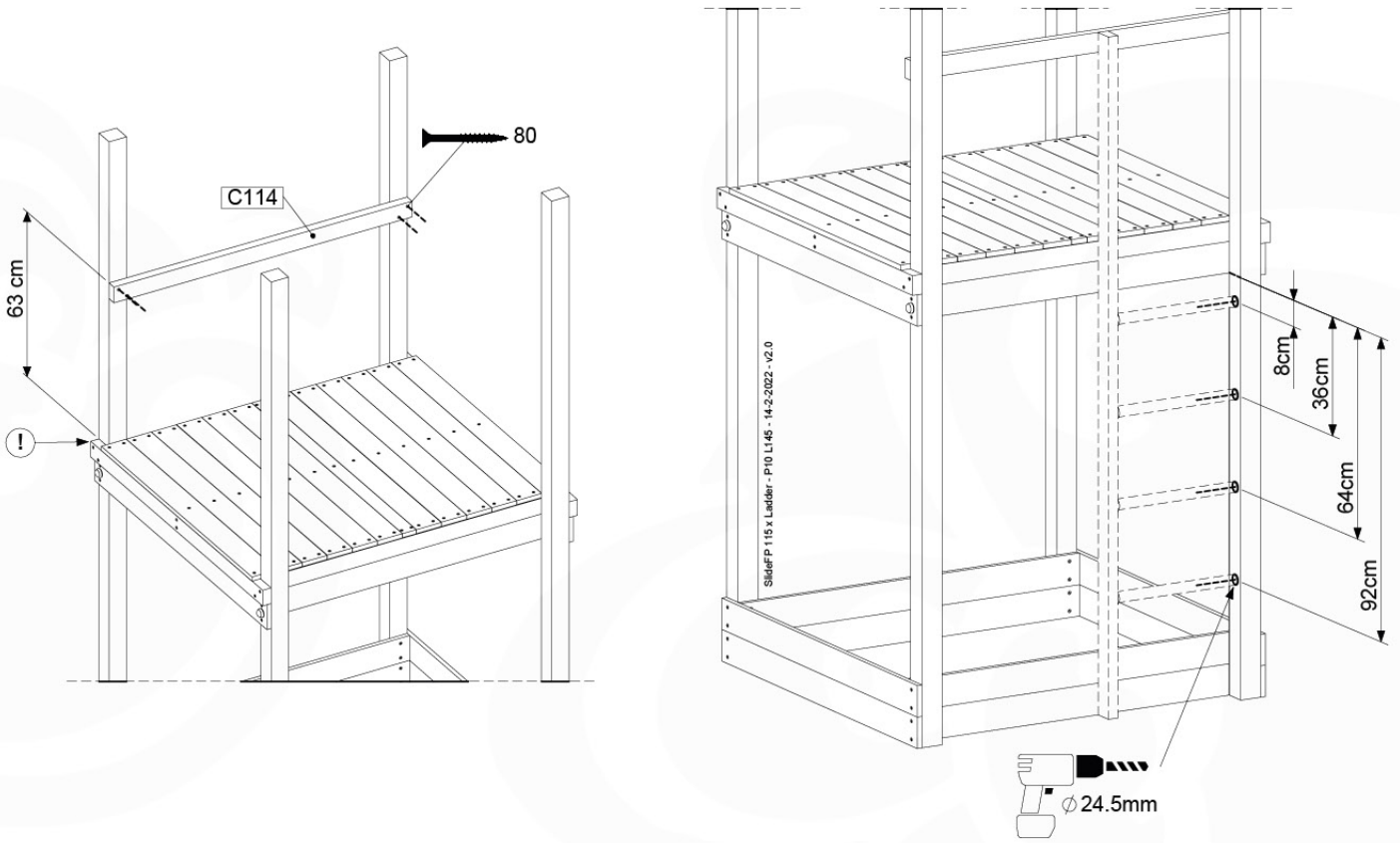
SlideFP 115 x Ladder - P32 FPL145 - 14-2-2022 - v2.0



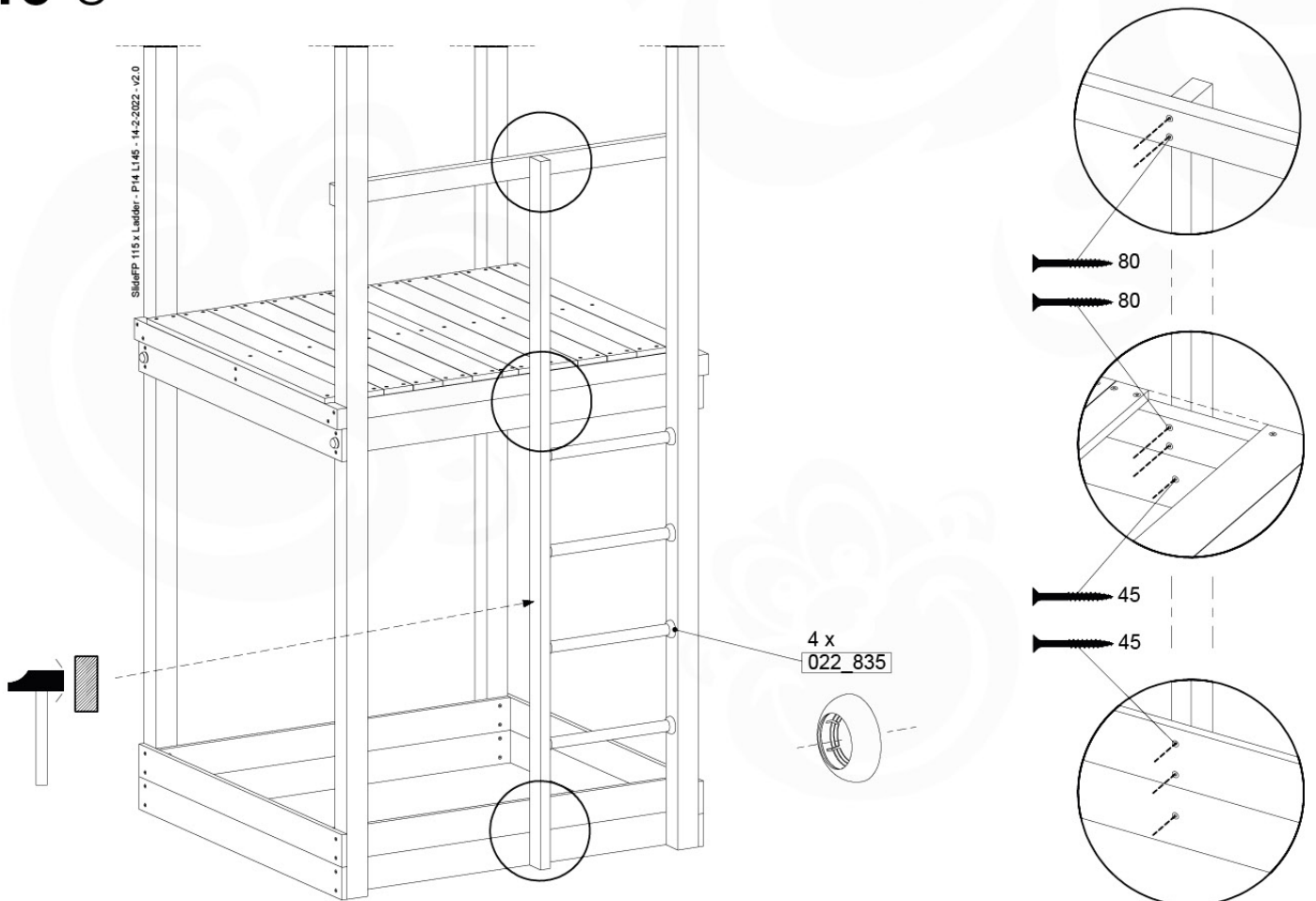
16-1



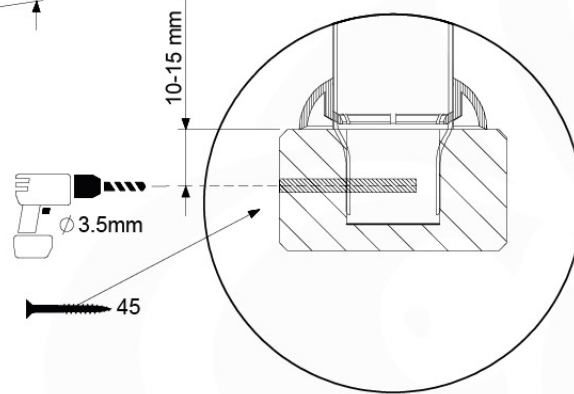
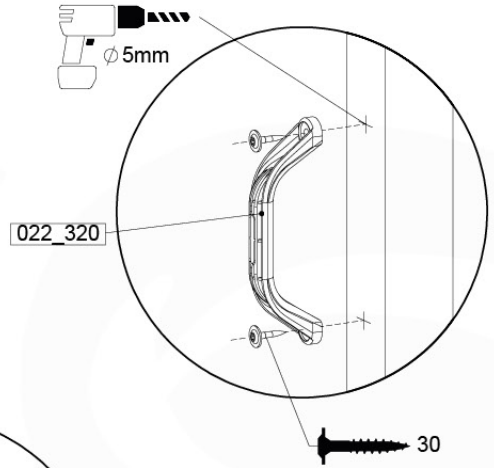
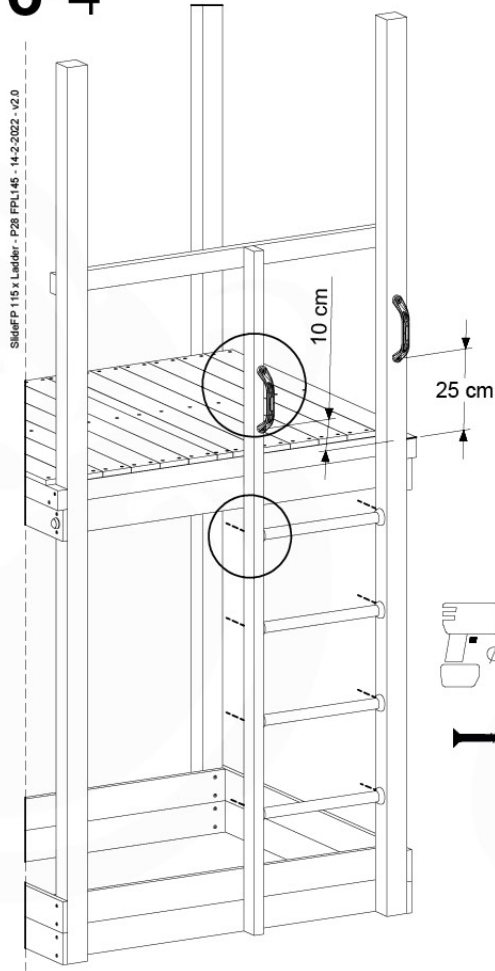
16-2



16-3



16-4



➔ Fireman's Pole (201_275)
040_335 Part 2

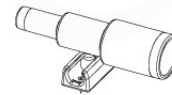
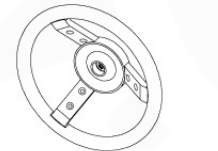
17 Accessories

AC01

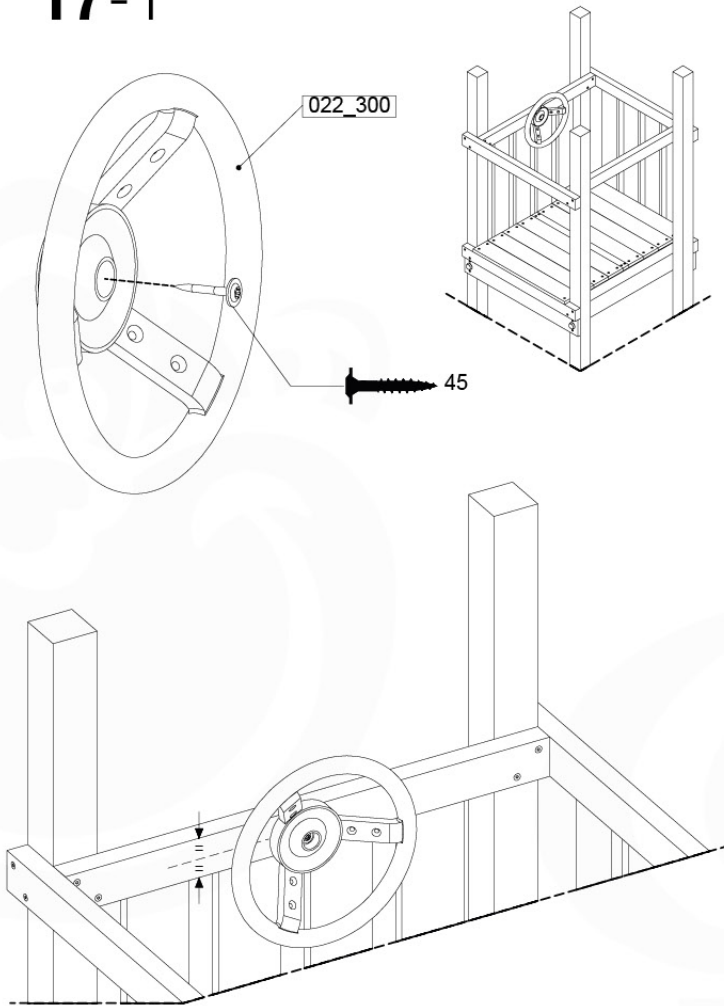
(194_119)

| | PartNo | PartName | QTY. |
|--------------------------|---------|-----------------------------|------|
| Hardware Pack 100_617 | 001_406 | Stealth Screw 8x45 | 1 |
| | 002_041 | Dome head screw 4.5 x 20 mm | 3 |
| | 002_042 | Dome head screw 3.5 x 13mm | 4 |
| | 002_219 | Gap Point Screw T25 - 5x30 | 2 |
| Other | 022_300 | Steering Wheel | 1 |
| | 022_800 | Rail P/T 105 | 1 |
| | 022_910 | Sandpad | 1 |
| | 103_901 | Logo ID Plate | 1 |
| | 104_107 | Tool Set Climbing Units | 1 |
| | 120_024 | Tower Flag | 1 |
| | 122_302 | Telescope | 1 |

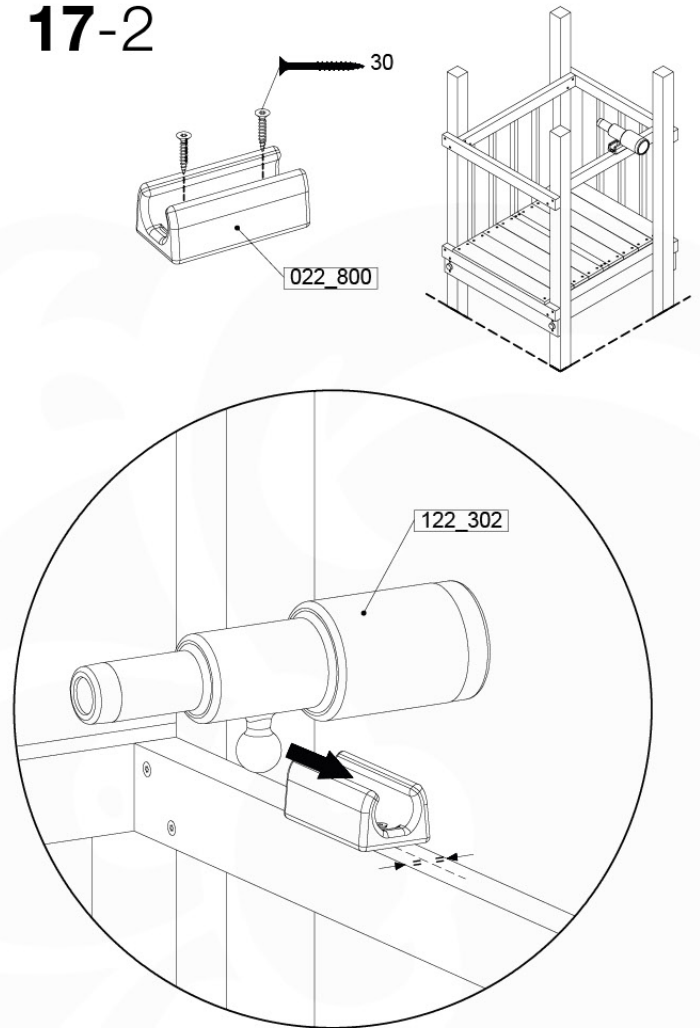
Accessory set - P02 - 29-9-2021 - 1x4



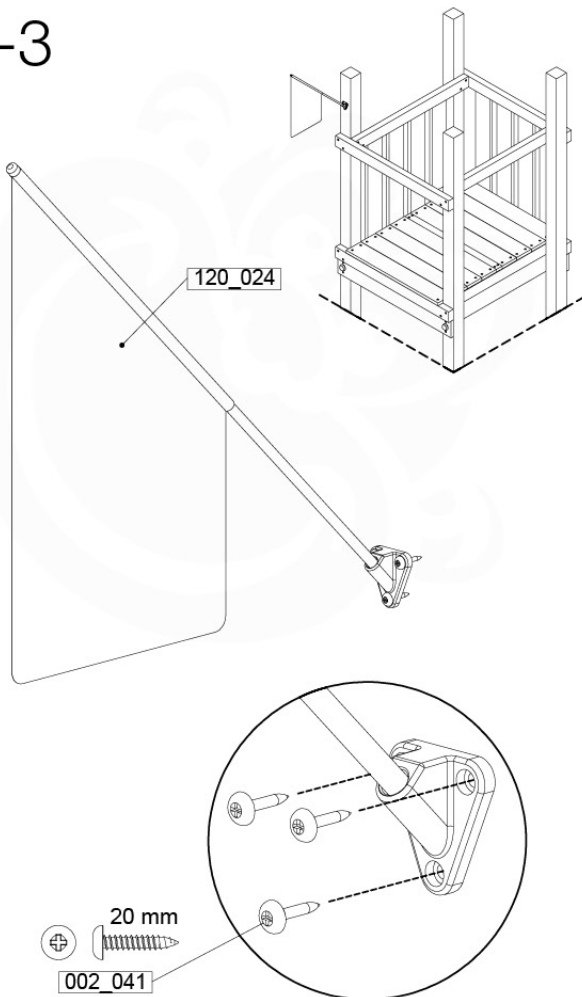
17-1



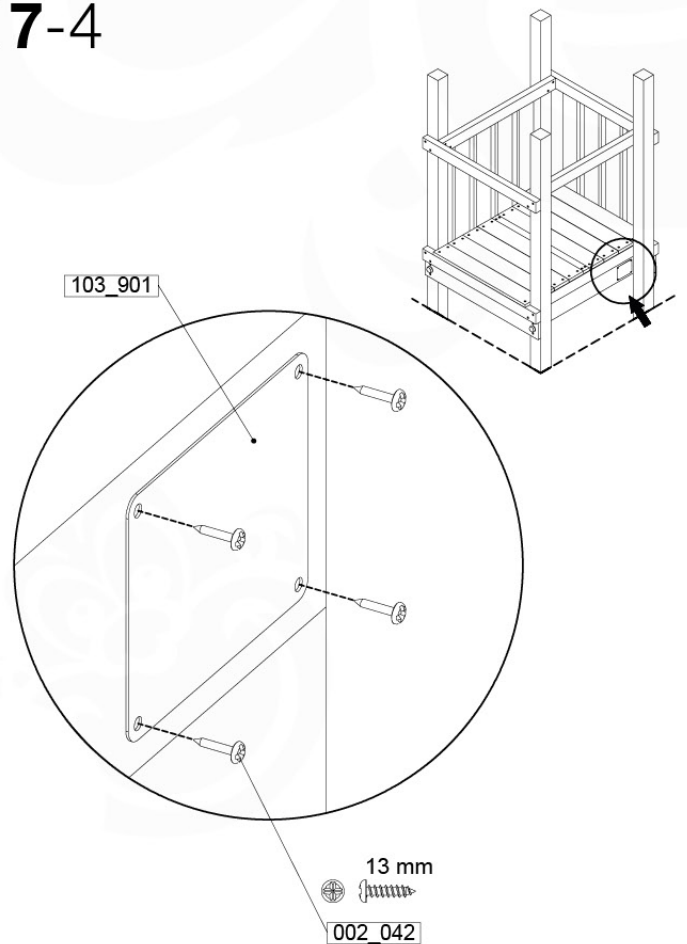
17-2



17-3



17-4

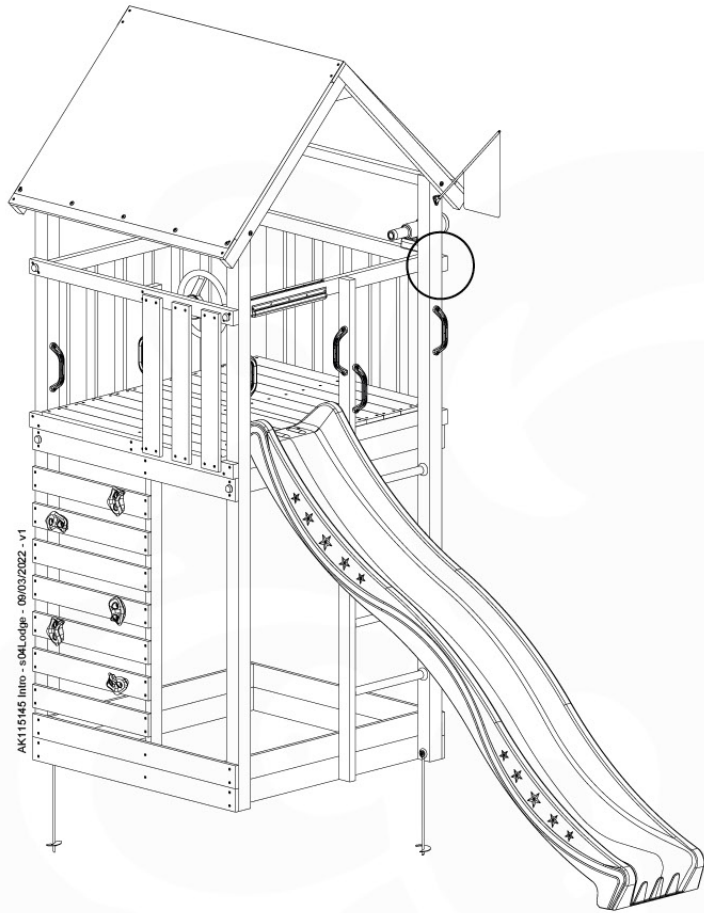
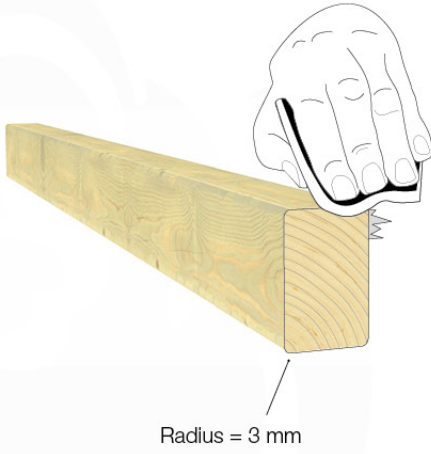
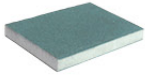


Accessories set - P03 - 29-9-2021 - v4

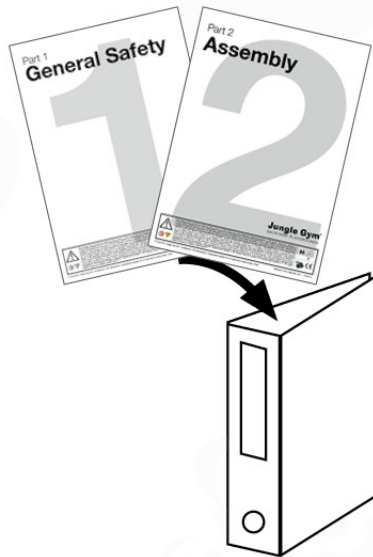
Accessories set - P04 - 29-9-2021 - v4

17-5 Safety check

1x
022_910



18



Declaration of Conformity

Jungle Gym

BACKYARD PLAYGROUNDS

since 1988

Manufacturer details

Company Name

Jungle Gym B.V.

Tag-line

Backyard Playgrounds

Address

P.O. Box 75083, 1070 AB Amsterdam, Netherlands

Activity toys for domestic use

Product Range Identification

Sub-Assembly

Universal Packs / Base Towers / Extension Towers / Roofs / Means of Exit/Access / Add-ons : 790_001 ... 794_911

Assembly

| | | |
|---|------------------------------|-----------------------------------|
| Playtowers : 801_005 ... 200 | Links : 870_100 ... 105 | Accessories : 123_220 ... 250_075 |
| Playhouses : 830_150 ... 253, 835_251 ... 253 | Swings : 801_300, _600, _601 | Slides (XL) : 324_100 ... 600 |
| Modules : 850_180 ... 415 | | Slides (XXL) : 334_100 ... 600 |
| : 857_103, 857_108 | Playtowers : 802_202 ... 208 | |
| 857_151, 857_158 | 803_202 ... 210 | |
| | 809_202 ... 804 | |

Applicable EC directives and standards

Chemical References

1. Migration of certain elements (17x + Chr VI + tin) as required in TSD 2009/48/EC and its amendments. Scrape off toy material. Tested according to EN 71-3:2019.
2. Migration of solvents, monomers and plasticizers as specified in "Safety for Toys: Organic Chemical Compounds", EN 71-9: 2005 + A1: 2007. Tested according to EN 71-10: 2005 & EN 71-11: 2005.
3. Content of N-nitrosamines and N-nitrosatable substances as specified in EN standard 71-12: 2013. Tested according to EN 71-12: 2013.
4. Content of 18 PAHs (Polycyclic Aromatic Hydrocarbons) as referred in AfPS GS 2014:01 PAK (Replaced on 2019:01). Tested according to QMA 2011.1284
5. Content of 7 Phthalates (18x) according to REACH (EG) no.1907/2006, Annex XVII. Tested according to COC-CH-C1011-09.3 and EN 15777 / QMA 2011.1300
6. Content of Cadmium according to REACH (EG) no. 1907/2006, Annex XVII. Tested according to EN 17294-2
7. Formaldehyde according to REACH (EG) no. 1907/2006, Annex XVII. Tested according to EN 14184
8. Azo dyes according to REACH (EG) no. 1907/2006, Annex XVII. Tested according to BVL B 82.02-2.
9. Content of 3 Flame retardants according to REACH (EG) no. 1907/2006, Annex XVII. Tested according to EN 62321-6.
10. NI release according to REACH (EG) no. 1907/2006, Annex XVII. Tested according to EN 71-3:2013+A1:2014.
11. Sweat and Salvia resistance tested according to DIN 53160

Mechanical physical properties + flamability

EN 71 - 1 : 2014 + A1: 2018 EN 71 - 2 : 2011 + A1: 2014 EN 71 - 8 : 2018

Supplementary information

Conformity to the above specified directives and standards has been frequently verified and is continuously monitored by TÜV Süd, TÜV Rheinland LGA products, DEKRA (DE), STR Ltd (UK), LNE SA (FR), LMR Ltd (US) and IPS N.V. (BE) since 1994. Jungle Gym participates in the European Commission for standardisation for the safety of activity toys (TC52 / WG 10).

Declaration

I hereby declare under our sole responsibility that the products mentioned above, to which this declaration relates, complies with the above mentioned directives and standards.



Name

Mr. P. Schmit / Director




























Issued date

Januari 2nd, 2023


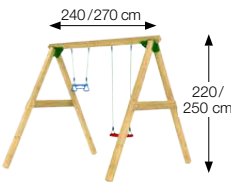
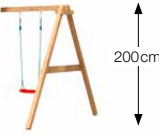



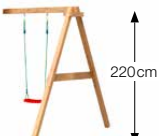




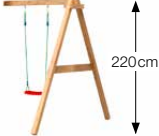



Signature of representative

Construction Packages (Assembly)

Playtowers

| | | | | | | |
|--|---|--|---|--|---|--|
| S Single  Jungle Tower 802_201 | S Single  Jungle Patio 802_202 | S Single  Jungle Cocoon 802_204 | S Single  Jungle Cirque 802_206 | S Single  Jungle Totem 802_208 | S Duo  Jungle Nomad 803_202 | S Duo  Jungle Safari 803_204 |
| S Duo  Jungle Viking 803_206 | S Duo  Jungle Teepee 803_208 | S Duo  Jungle Resort 803_210 | S Combo  Jungle Explorer 809_802 | S Combo  Jungle Voyager 809_804 | M Single  Jungle Castle 801_120 | |
| M Single  Jungle Club 801_110 | M Single  Jungle Casa 801_105 | M Single  Jungle Home 801_103 | M Single  Jungle Hut 801_100 | M Single  Jungle House 801_095 | L Single  Jungle Cottage 801_090 | L Single  Jungle Cabin 801_060 |
| L Single  Jungle Lodge 801_040 | L Duo  Jungle Cubby 801_070 | L Duo  Jungle Mansion 801_009 | XL Single  Jungle Sierra 801_025 | XL Single  Jungle Fort 801_010 | XL Duo  Jungle Chalet 801_013 | XL Duo  Jungle Palace 801_005 |

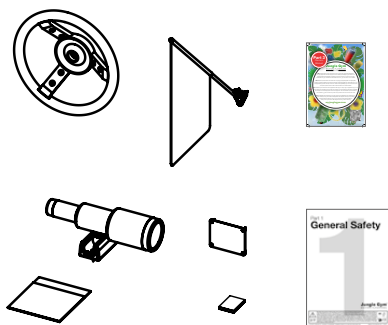
Swings

| | | | | | |
|--|---|---|---|---|---|
|  Jungle Peak 801_300 |  Jungle Swing 801_601/602 |  1-Swing Module 200 857_101 |  2-Swing Module 200 857_102 |  1-Climb Module 200 857_105 |  2-Climb Module 200 857_106 |
| | |  1-Swing Module 220 857_151 |  2-Swing Module 220 857_154 |  1-Climb Module 220 857_157 |  2-Climb Module 220 857_158 |
|  Bridge Module 850_240 | |  1-Swing Module 220 Extra 850_176 |  2-Swing Module 220 Extra 850_177 |  1-Climb Module 220 Extra 850_231 |  2-Climb Module 220 Extra 850_232 |

Modules

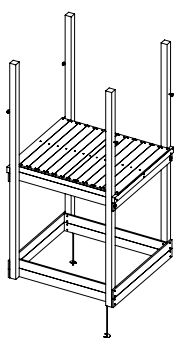
Construction Packages (Sub-Assembly)

Universal Packs (AC)



Accessory set
194_119

Base Towers (BT)

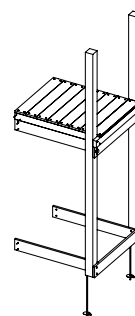


Tower 80
790_001
790_002
790_003
790_005

Tower 115
792_001
792_002
792_003

Tower 140
794_001

Extension Towers (ET)

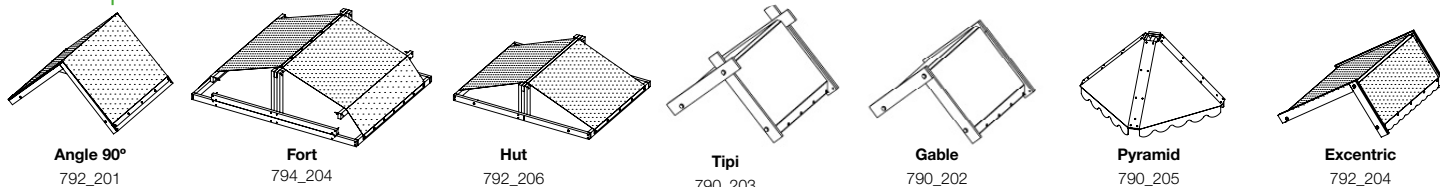


Tower 80 790_101 794_102
Tower 140 794_103 794_104 794_105 794_106

Tower 115
792_101 794_107
792_102 794_108
792_103 794_109
792_104 794_110
792_105 792_111
792_106 792_112
792_107 792_113
792_108 792_114
792_109
792_110
792_111
792_112
792_113
792_114

Roofs (RF)

Roof tarp



Angle 90°
792_201

Fort
794_204

Hut
792_206

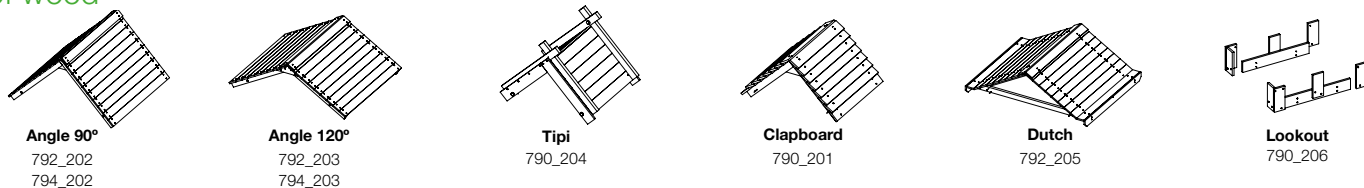
Tipi
790_203

Gable
790_202

Pyramid
790_205

Excentric
792_204

Roof wood



Angle 90°
792_202
794_202

Angle 120°
792_203
794_203

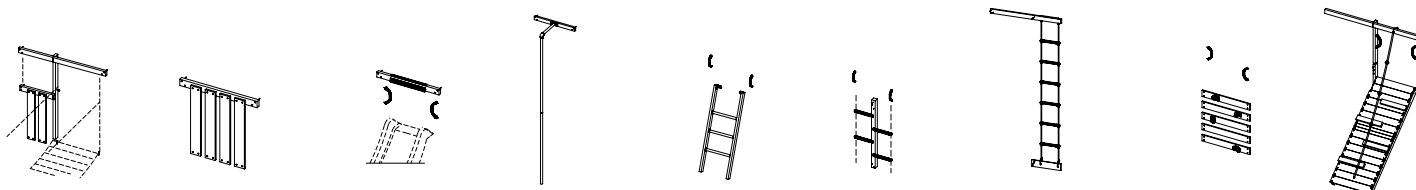
Tipi
790_204

Clapboard
790_201

Dutch
792_205

Lookout
790_206

Means of Exit/Access



Bridge Frames
BF
792_602
794_602

Balustrades
BL
790_301
792_301
794_301
794_302

Slides
SL
790_901
792_901
792_902
792_903
794_901

Firemans Poles
FP
790_903
792_911
792_912
792_913
794_911

Ladder
LA
790_433
790_434
792_431
792_432
794_431
794_432

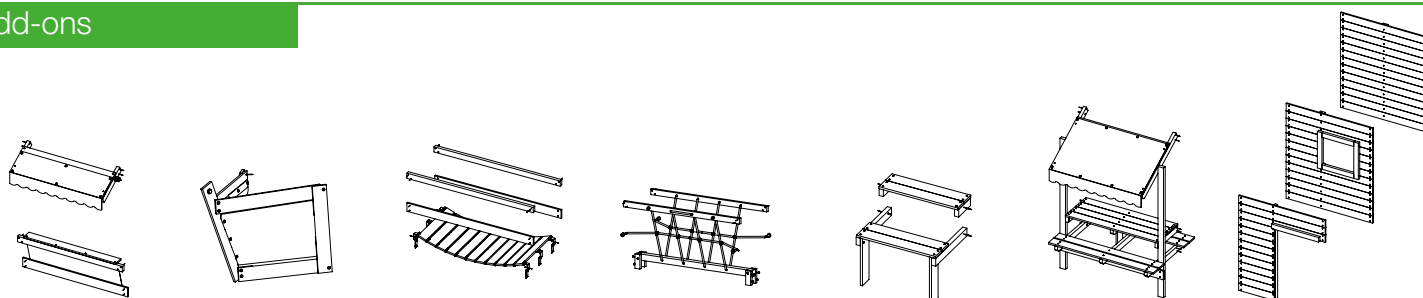
Two Step Ladder
TS
790_413
790_414
792_411
792_412
794_411
794_412
794_413
794_414

Rope ladder
RL
790_421
792_421
792_422
794_421

Rock wall
RW
790_403
790_404
792_401
792_402
794_401
794_402

Ramp
RA
790_441
792_441
794_441

Add-ons



Market
MT
790_502
792_502
794_502

Boat front
BO
790_501

Clatter bridge 80
CB
790_601

Net bridge 80
NB
790_611

Picnic 80
PC
790_503

Picnic 115/140
PC
792_503
794_503

Playhouse panels
PH
790_311 794_311
792_313 794_312
792_311 794_313
792_312 794_314
792_313
792_314

Construction Packages (accessorie-assembly)

Imagination



Steering Wheel Yellow
201_280



Fun Phone
201_285



StarOscope™
201_290



Steering Wheel Boat
202_473



PeekOscope™
201_295

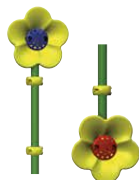


Shutters 2x blue
250_075



Tic Tac Toe
450_310

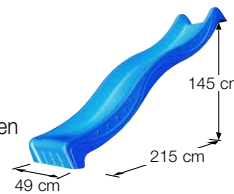
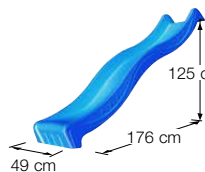
Bucket
450_320



Talking Tube™
450_330

Wavy Star Slide XL

- 324_100 Yellow
- 324_200 Blue
- 324_300 Green
- 324_400 Red
- 324_500 Fuchsia
- 324_600 Dark Green



Wavy Star Slide XXL

- 334_100 Yellow
- 334_200 Blue
- 334_300 Green
- 334_400 Red
- 334_500 Fuchsia
- 334_600 Dark Green

Swinging



Sling Swing Kit Yellow
250_001



Monkey Bar Kit Blue
250_013



Baby Swing Kit Red
250_025



Swing Seat Kit Red
250_034



Twist Disk Kit Green
250_053

Climbing



AP Two Step Ladder 80
194_102



AP Step Ladder 80_125
194_103



AP Step Ladder 80_145
194_104



AP Rock-Wall 80_125
194_105



AP Rope Ladder
194_115



AP Clatter Bridge
194_116



Climbing Rope
201_060



Fireman's Pole
201_275



Gymnastics bar
201_273

Functional



Canvas blue/green
123_220 ±136x 74cm
123_222 ±185x120cm



Mesh green
123_230



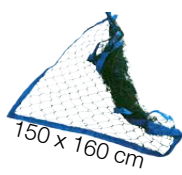
Swing Hook Screw 2x
201_115



Bolt Caps 10x / 40x
White □ 202_620 202_629
Yellow ■ 202_621 202_625
Blue ■ 202_622 202_626
Green ■ 202_623 202_627
Red ■ 202_624 202_628



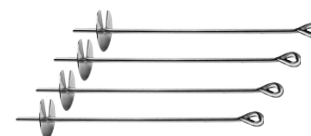
Bumper Pad (2pcs)
202_824



Cat Stop™
201_220



Handgrips
■ 201_250 Yellow
■ 201_260 Blue
■ 201_270 Green

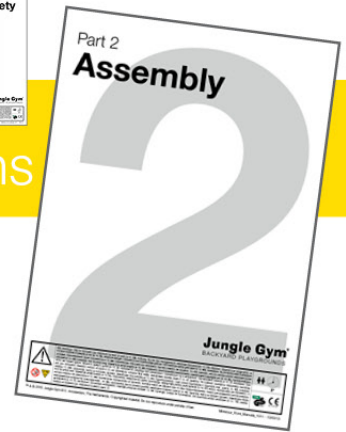


Ground Anchors
250_070

Part 2

Assembly

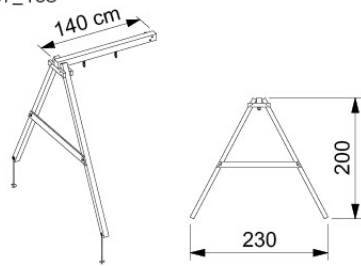
Instructions



Swing Frames & Modules

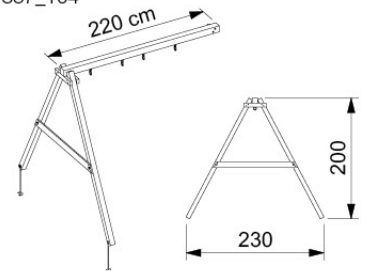
1-Swing Frame 200

857_103



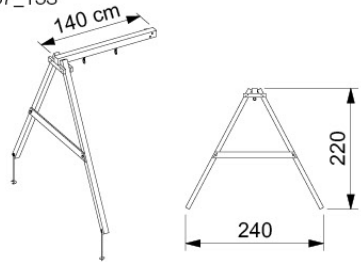
2-Swing Frame 200

857_104



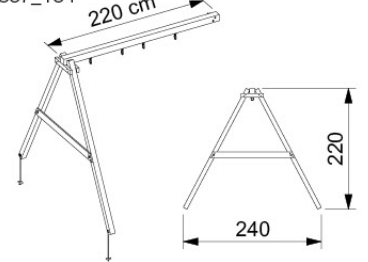
1-Swing Frame 220

857_153



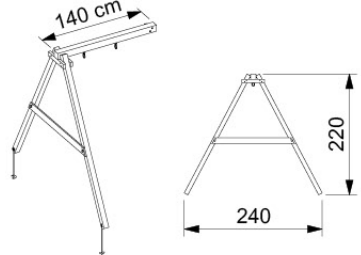
2-Swing Frame 220

857_154



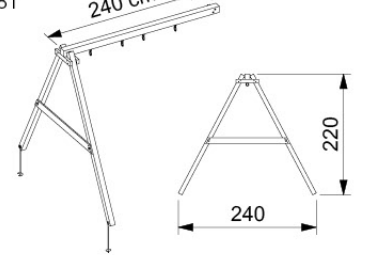
1-Swing Module

850_180



2-Swing Module

850_181



Jungle Gym


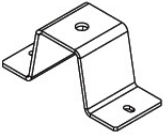





BACKYARD PLAYGROUNDS

since 1988

| | 1 position | 2 positions | | 1 position | 2 positions |
|--|------------|-------------|--|------------|-------------|
| EN. Warnings. Only for domestic use. Maximum number of users is: | 1 | 2 | LT. Įspėjimai. Tik butiniam naudojimui. Maksimalus naudotojų skaičius : | 1 | 2 |
| DE. Achtung. Nur für den Hausgebrauch. Maximale Benutzerzahl: | 1 | 2 | HR. Upozorenja. Samo za kućansku uporabu. Maksimalan broj korisnika je : | 1 | 2 |
| FR. Attention. Réservé à un usage familial. Le nombre maximal d'utilisateurs est de : | 1 | 2 | HU. Figyelmeztetések. Csak otthoni használatra! A használók max. száma: : | 1 | 2 |
| NL. Waarschuwingen. Uitsluitend voor huishoudelijk gebruik. Het maximale aantal gebruikers is: | 1 | 2 | NO. Advarsel. Kun for privat bruk. Maksimalt antall brukere er : | 1 | 2 |
| BG. Внимание. За употреба само в домашни условия. Максималният брой потребители е: | 1 | 2 | PL. Ostrzeżenia. Wyłącznie do użytku domowego. Maksymalna liczba użytkowników to : | 1 | 2 |
| ES. Advertencias. Sólo para uso doméstico. Número máximo de usuarios: | 1 | 2 | PT. Avisos. Apenas para uso doméstico. O número máximo de utilizadores é : | 1 | 2 |
| CS. Varování. Jen pro domácí použití. Maximální počet uživatelů je : | 1 | 2 | RO. Avertismente. Numai pentru uz domestic. Numărul maxim de utilizatori este : | 1 | 2 |
| DA. Advarsel. Kun til privat brug. Maksimum antal brugere er : | 1 | 2 | RU. Предостережения. Только для домашнего использования. | 1 | 2 |
| ET. Hoiatused. Ainult koduseks kasutamiseks. Maksimaalne kasutajate arv on : | 1 | 2 | Максимальное количество пользователей : | 1 | 2 |
| EL. Προειδοποιήσεις. Μόνο για οικιακή χρήση. Μέγιστος αριθμός χρηστών : | 1 | 2 | SK. Upozornenia. Iba na domáce použitie. Maximálne množstvo osôb je : | 1 | 2 |
| IS. Varnaðarorð. Eingöngu fyrir einkanoðkun í heimahúsum og á einkalóðum. Hámarksfjöldi notenda er : | 1 | 2 | SL. Opozorila. Samo za domačo uporabo. Maksimalno število uporabnikov je : | 1 | 2 |
| IT. Avvertenze. Solo per uso domestico. Massimo numero di utenti è : | 1 | 2 | FI. Varoitukset. Ainoastaan kotikäyttöön. Käyttäjää yhteensä enintään : | 1 | 2 |
| LV. Brīdinājumi. Izmantot tikai mājās. Maksimālais lietotāju skaits ir : | 1 | 2 | SR. Upozorenja. Samo za kućnu uporabu. Maksimalan broj korisnika je : | 1 | 2 |
| | | | SV. Varningar. Endast för hemmabruk. Det maximala antalet användare är : | 1 | 2 |
| | | | TR. Uyarılar. Sadece ev kullanımı için. Maksimum kullanıcı sayısı : | | |

01 What's in the Delivery?

457_102

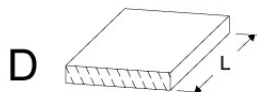
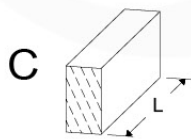
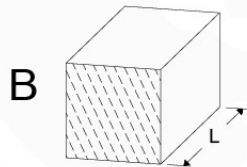
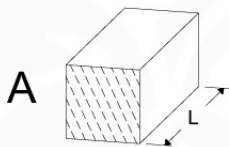
| | | | | |
|---|--|---|--|---|
|  <p>1x 040_805 Part 1 General Safety</p> <p>1x 040_170 Part 2 Assembly</p> | <p>1x 005_528</p>  <p>Frame</p> | <p>1x 005_529</p>  <p>Module</p> | <p>1x 100_160</p>  | <p>1x 104_403</p>  <p>008_034 67.5mm</p> |
| <p>2x 007_001</p>  | <p>4x 101_003</p>  | | | |

02 Timber

Frames

Modules


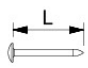

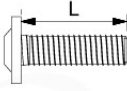
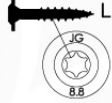
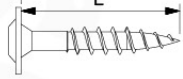

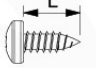

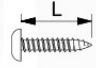

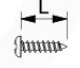

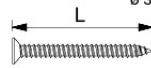
Jungle Swing Frame | Swing Module

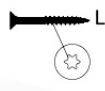
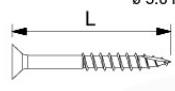


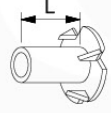






| | | L | | | | | |
|----------------------|---|---------------------------------|---------------------------------|---------------------------------|---------------------------------|------------------------------|------------------------------|
| | | 657_101 1-Swing Frame 200 | 657_102 2-Swing Frame 200 | 657_151 1-Swing Frame 220 | 657_152 2-Swing Frame 220 | 650_178 1-Swing Module | 650_179 2-Swing Module |
| A240 A220 | 239cm - 240cm 219cm - 220cm | 2 x | 2 x | 2 x | 2 x | | |
| B240 B220 B140 | 239cm - 240cm 219cm - 220cm 139cm - 140cm | 1 x | 1 x | 1 x | 1 x | 2 x 1 x | 3 x |
| C37 | 36cm - 37cm | 2 x | 2 x | 2 x | 2 x | 2 x | 2 x |
| D180 D141 | 179cm - 180cm 140cm - 141cm | 2 x | 2 x | 2 x | 2 x | 1 x 1 x | 1 x 1 x |

output: 00/12/20

03 Standard Hardware ID

| | | L | |
|--|---|----------|--|
|  |  | ø 2.0 mm | 000_101 20 mm |
|  |  | M8 | 001_102 30 mm |
|  |  | ø 8.0 mm | 001_404 30 mm 001_406 45 mm 001_411 60 mm 001_417 80 mm 001_422 137 mm |
|  |  | ø 6.3 mm | 002_036 16 mm |
|  |  | ø 4.5 mm | 002_041 20 mm |
|  |  | ø 3.5 mm | 002_042 13 mm |
|  |  | ø 3.9 mm | 002_301 40 mm |

| | | L | |
|---|--|----------|--|
|  |  | ø 5.0 mm | 002_308 20 mm 002_219 30 mm 002_220 45 mm 002_223 80 mm |
| |  | M8 | 003_010 |
| |  | M6 | 003_034 |
| |  | M8 | 004_050 22mm |
| |  | | 022_845 Yellow 022_846 Blue 022_847 Green 022_848 Red |
| |  | | 023_031 White |
|  |  | | 120_005 White |

output: 20/11/20

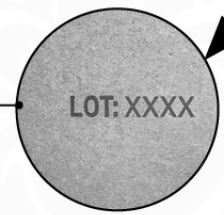
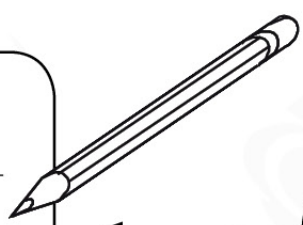
04 Product ID



Art. Description: _____

SKU: _____

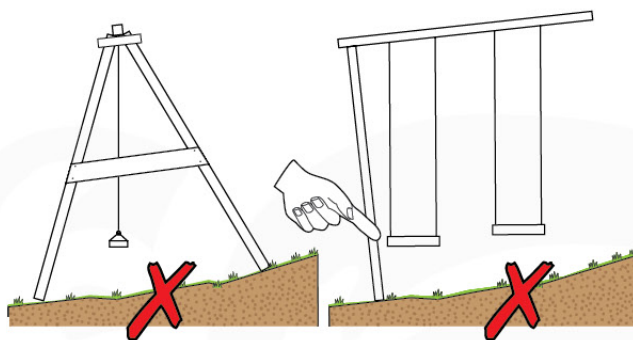
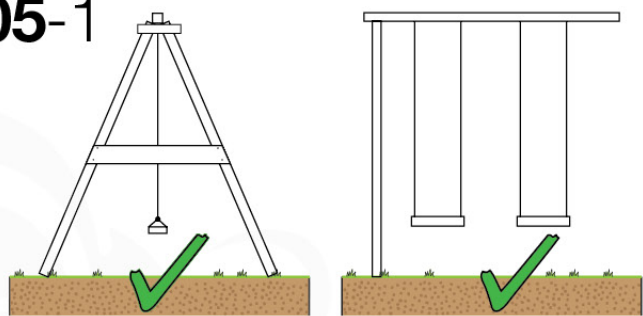
LOT: _____



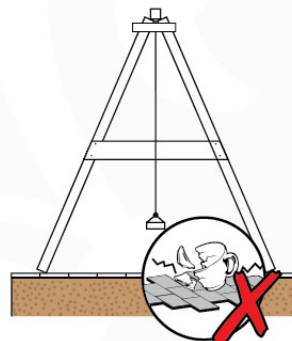
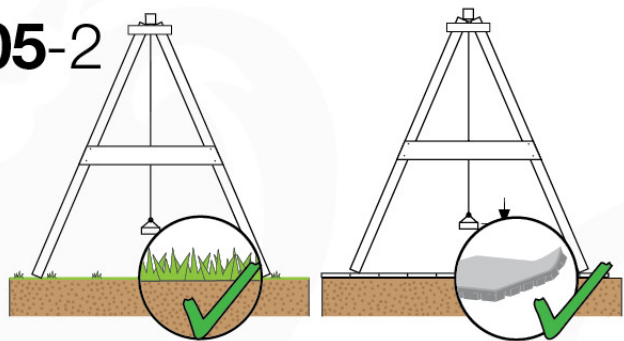
←

05 Safe Playground Planning

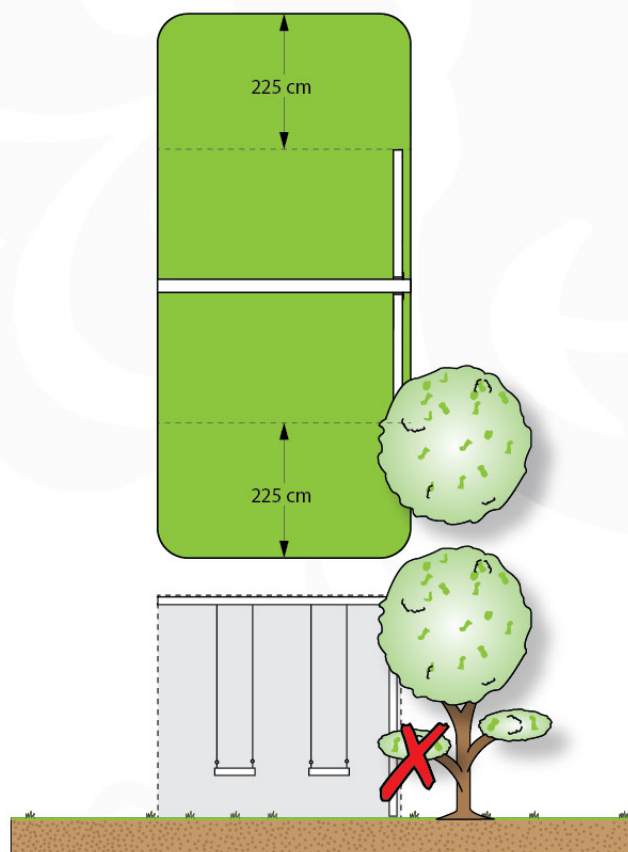
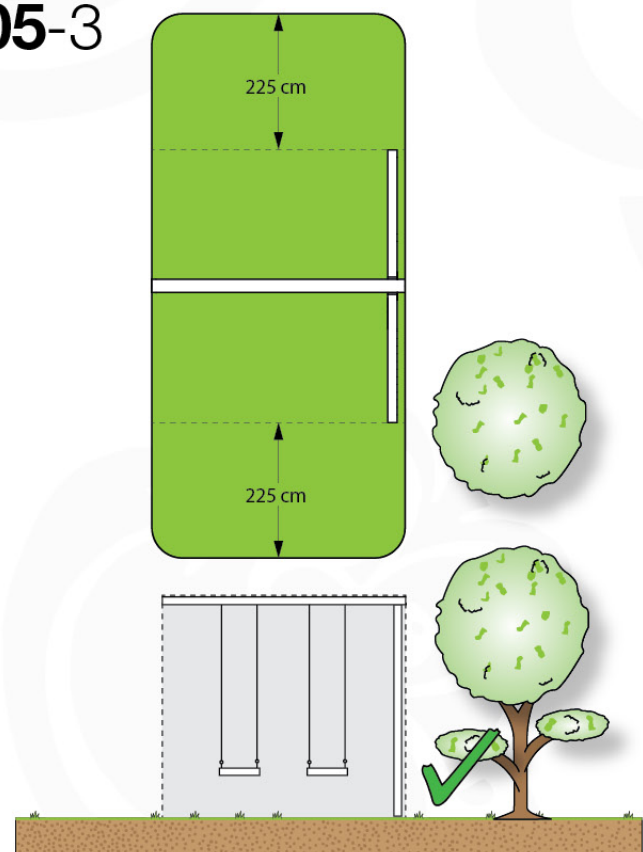
05-1



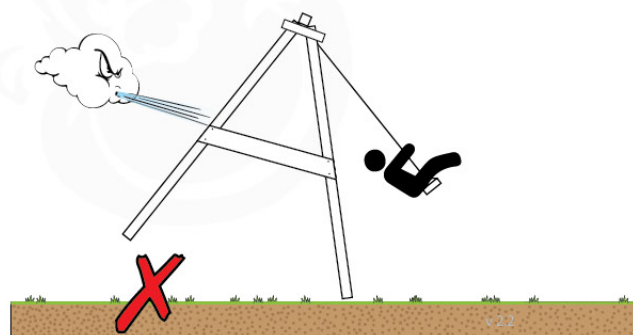
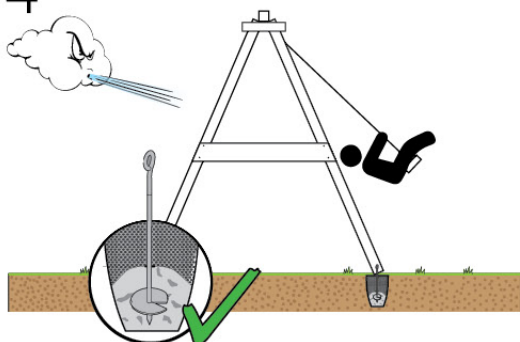
05-2



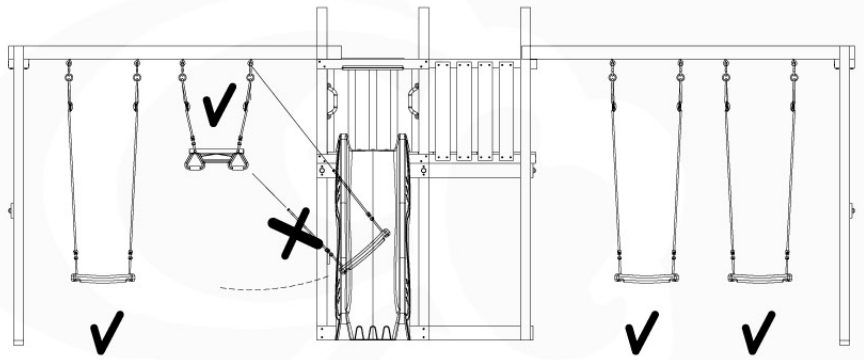
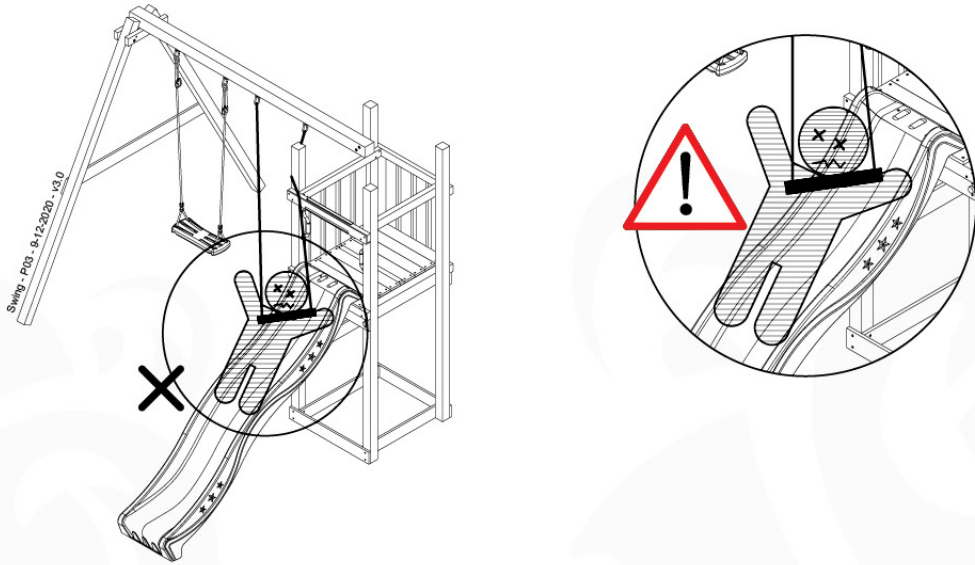
05-3



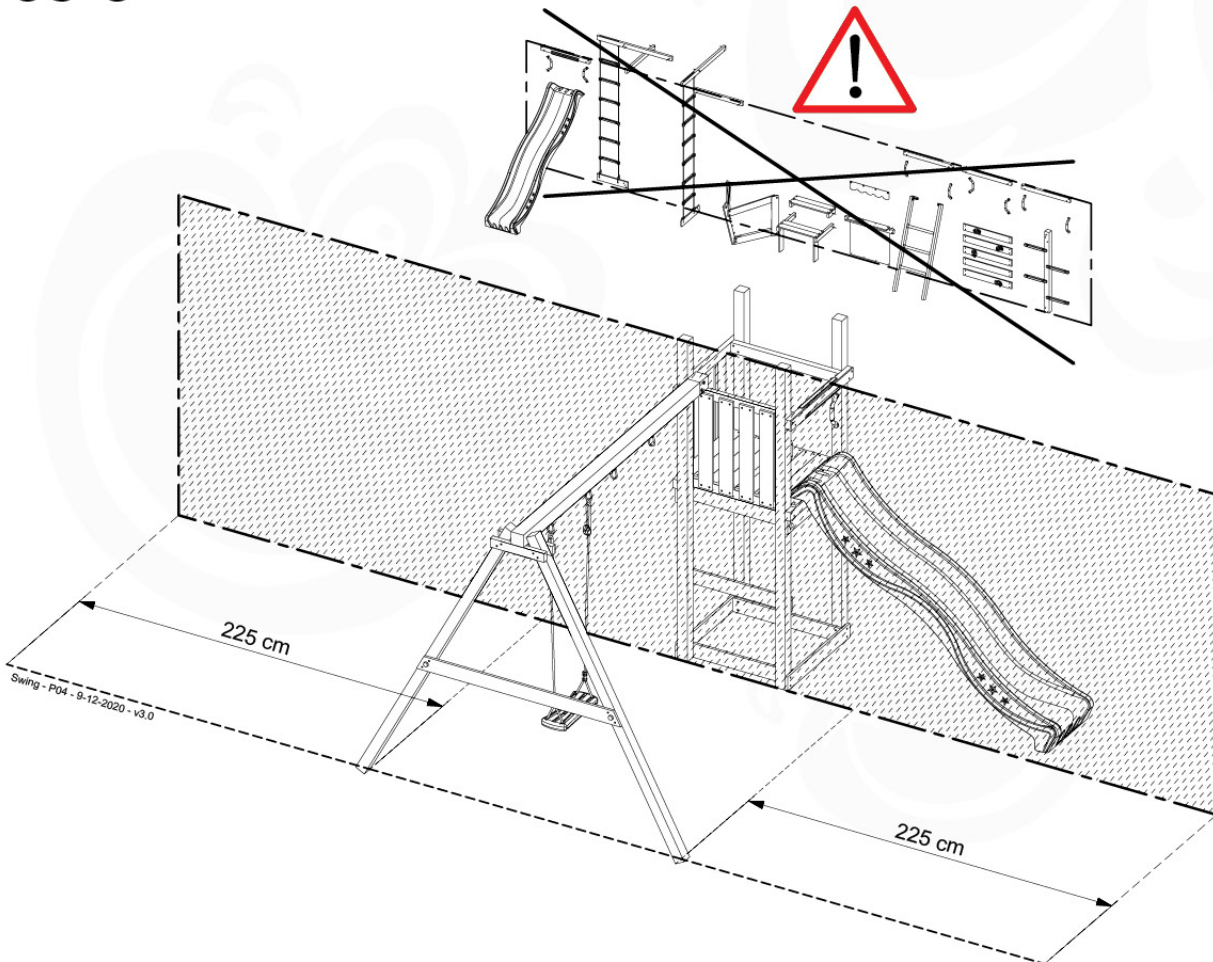
05-4



05-5



05-6

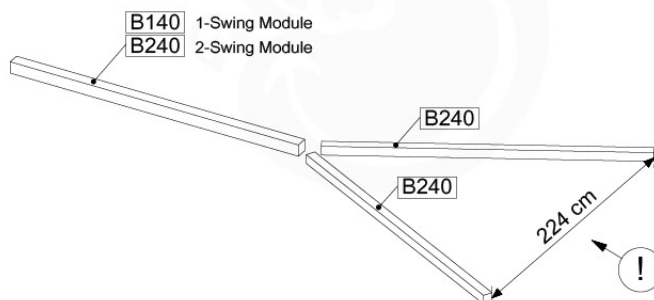
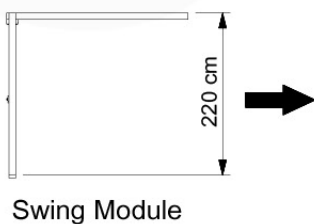
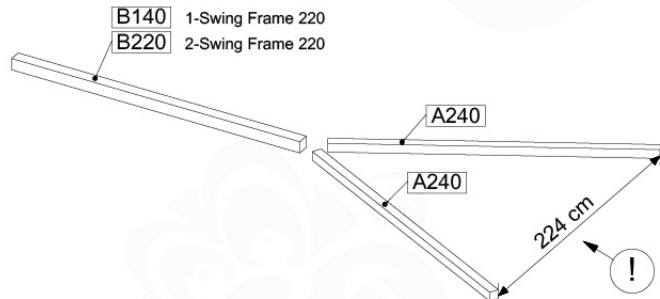
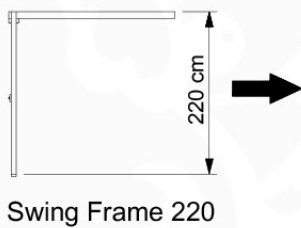
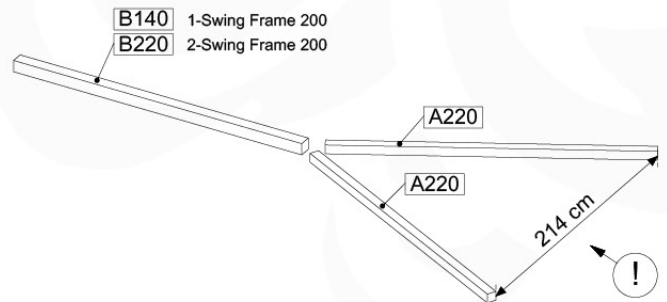
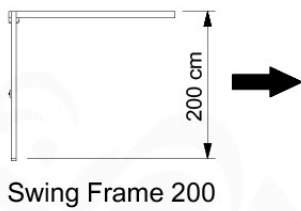


06

| | PartNo | PartName | QTY. |
|---------------|---------|----------------------------|------|
| Hardware Pack | 001_406 | Stealth Screw 8x45 | 4 |
| | 001_417 | Stealth Screw 8x80 | 3 |
| | 001_422 | Stealth Screw 8x137 | 3 |
| | 002_220 | Gap Point Screw T25 - 5x45 | 12 |
| | 002_223 | Gap Point Screw T25 - 5x80 | 6 |
| Other | 005_528 | Swing Beam Bracket 7x7 | 1 |
| | 005_529 | Swing Beam Bracket 9x9 | 1 |
| | 007_001 | Ground-anchor | 2 |
| Hardware Pack | 022_31x | bpc-base version 3 | 2 |
| | 022_84x | bpc cover | 2 |
| | 023_031 | Finishing Washer GPS 5.0 | 2 |
| Other | 101_003 | Swing hook with Carabiner | 4 |

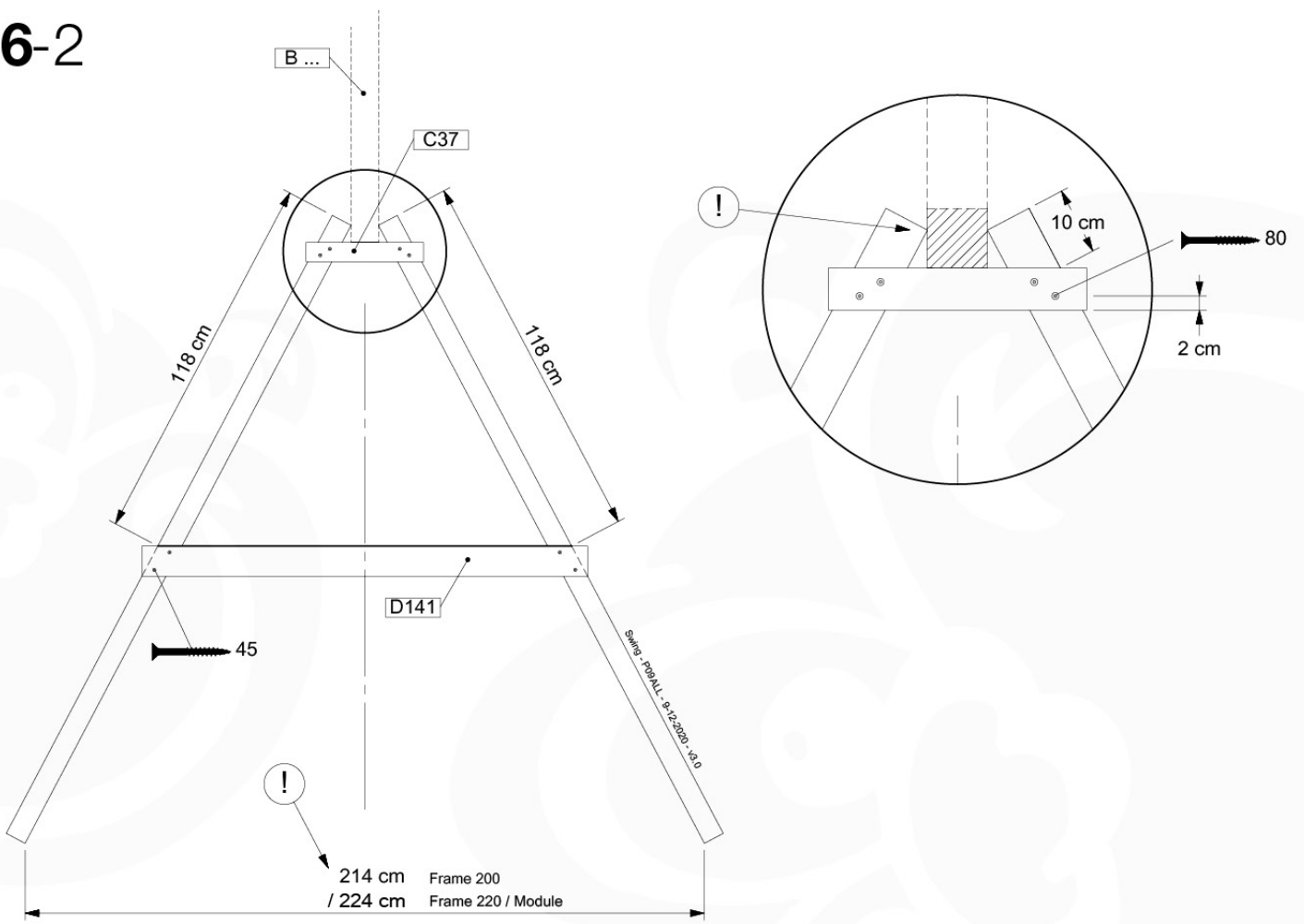
Swing - P102 - 9-12-2020 - v3.0

06-1

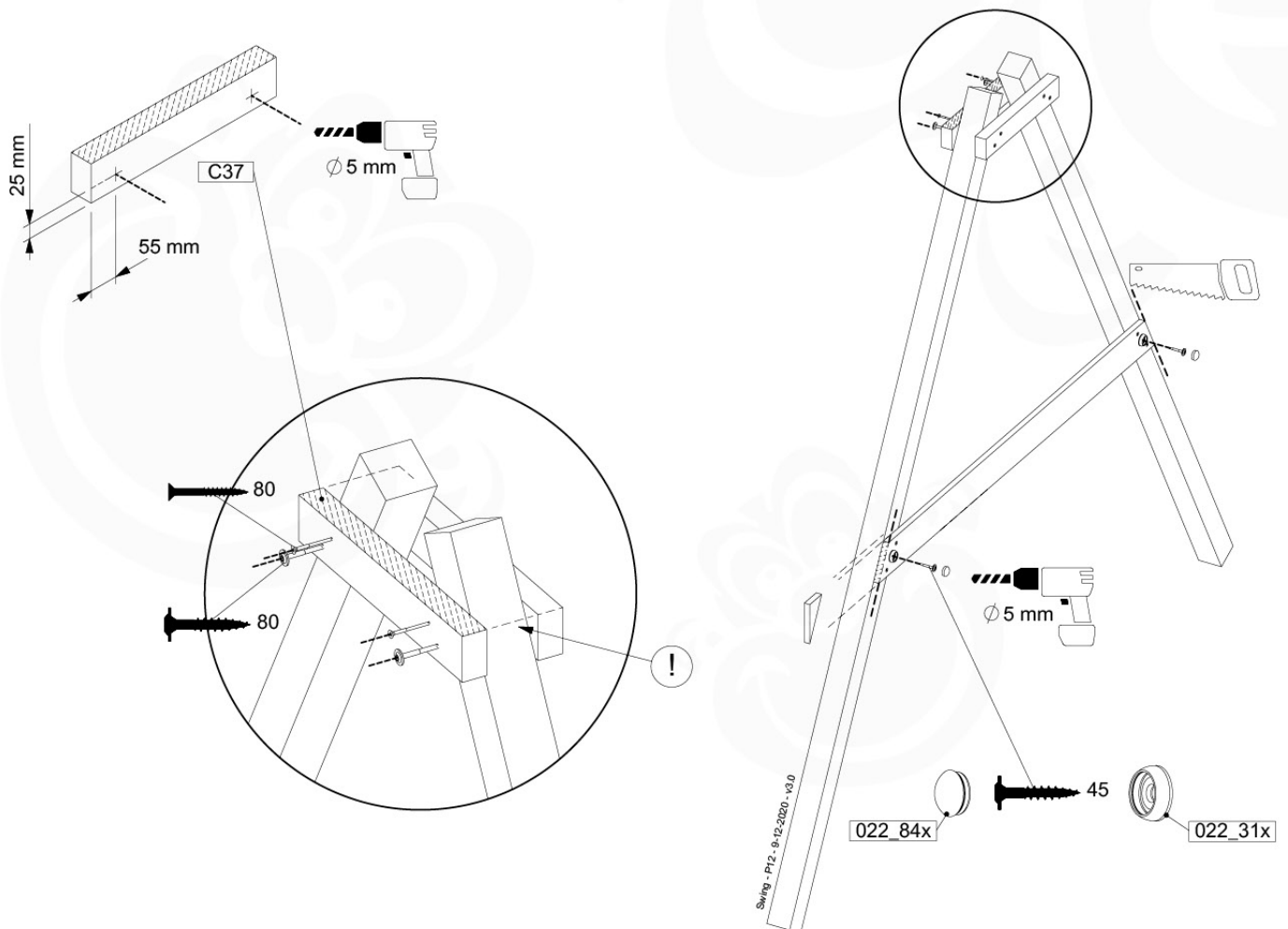


Swing - P05ALL - 9-12-2020 - v3.0

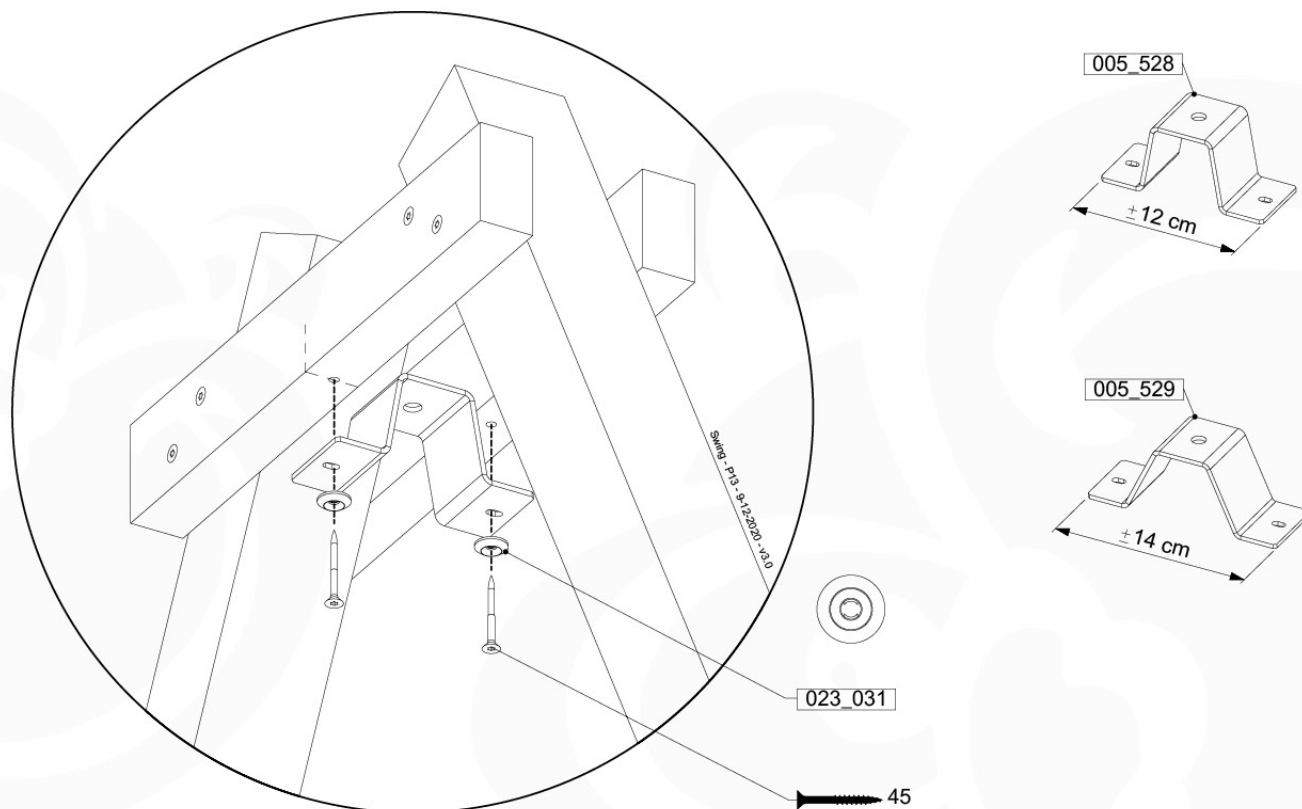
06-2



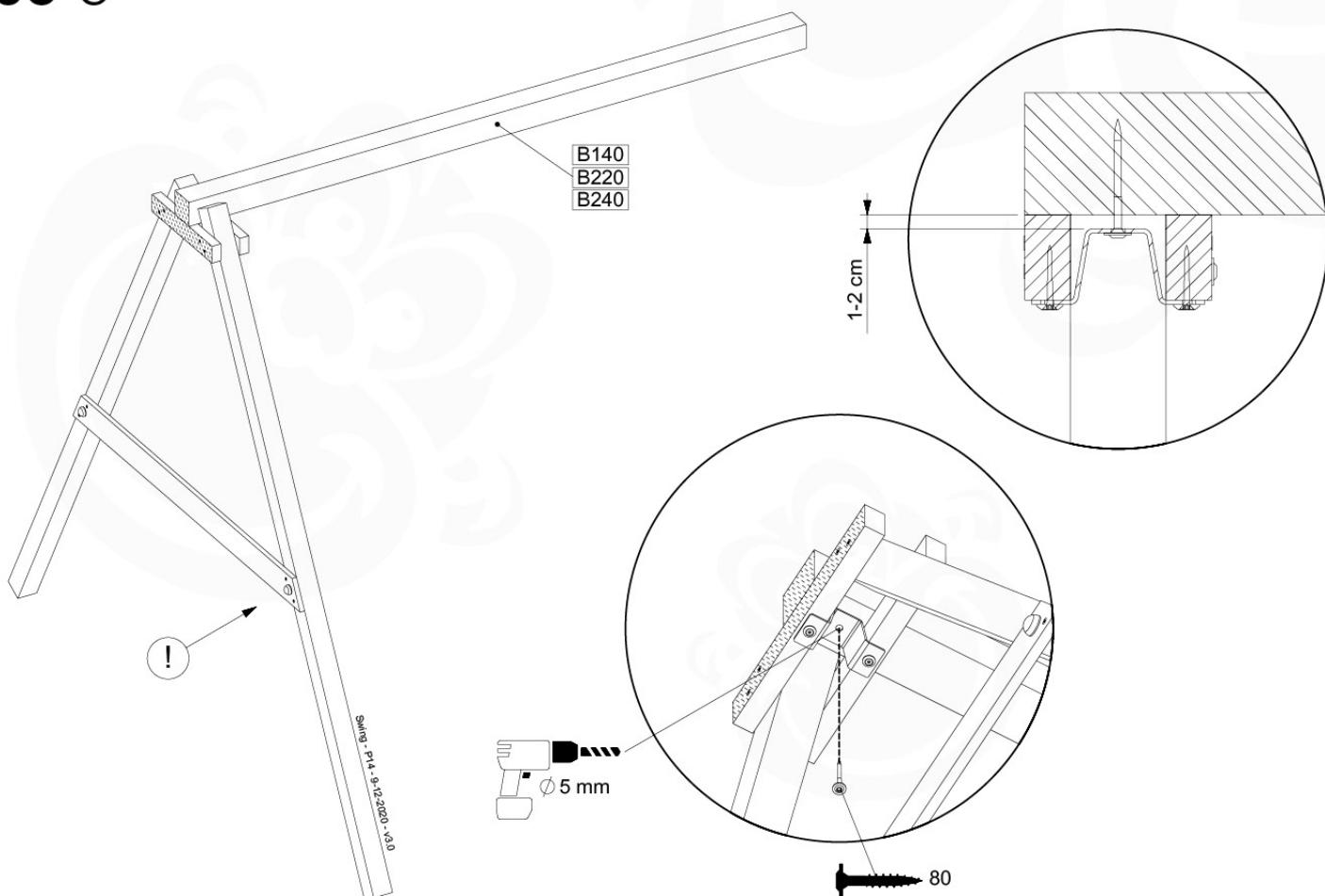
06-3



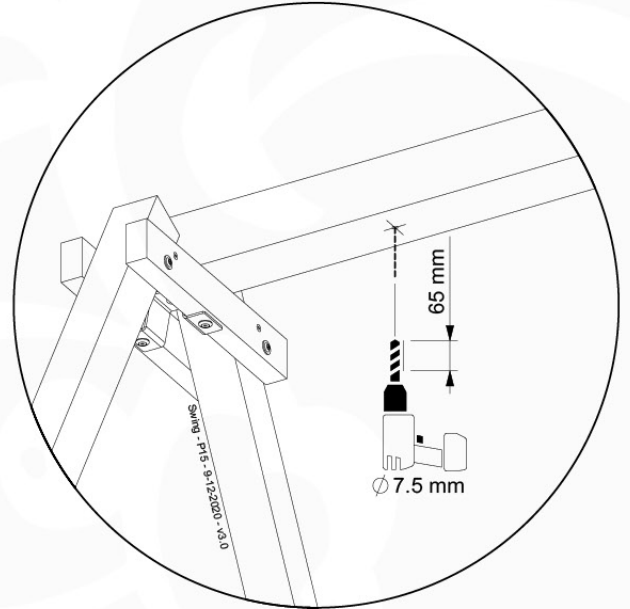
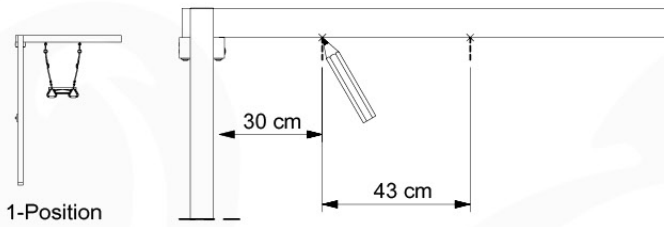
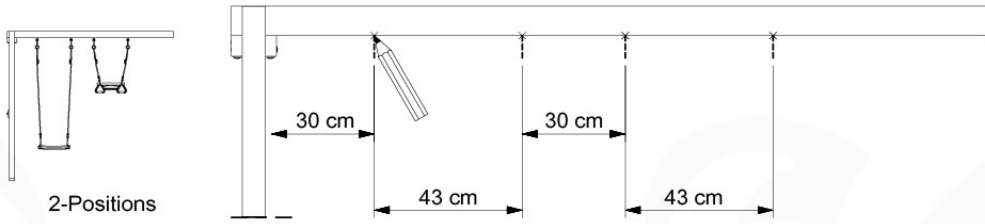
06-4



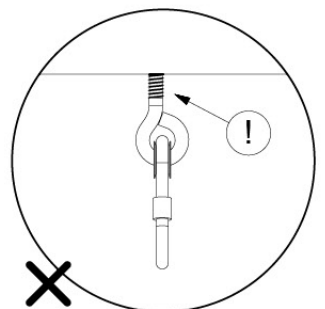
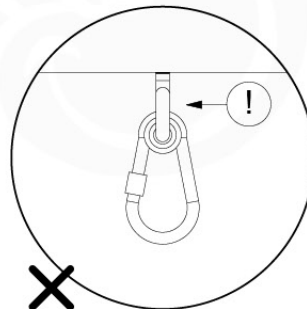
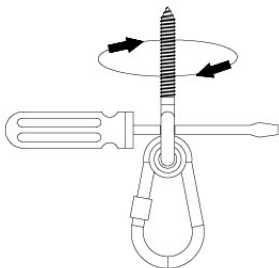
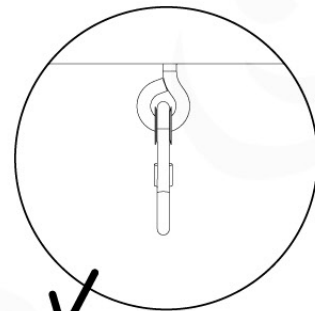
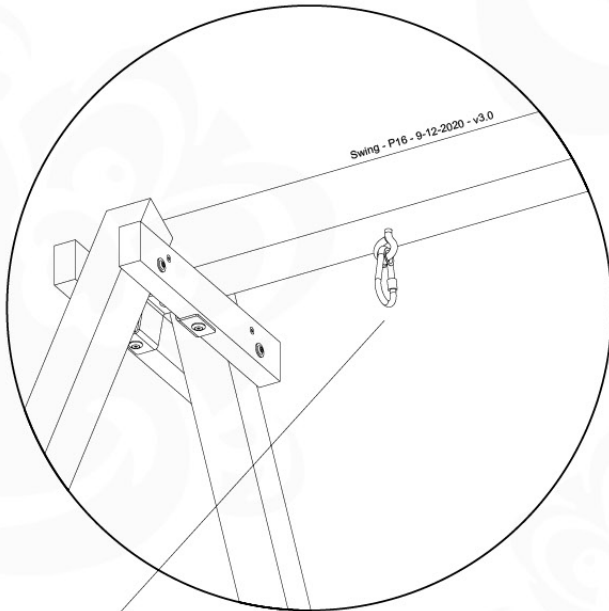
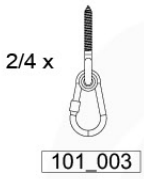
06-5



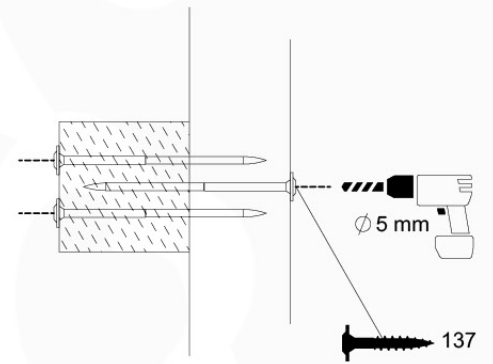
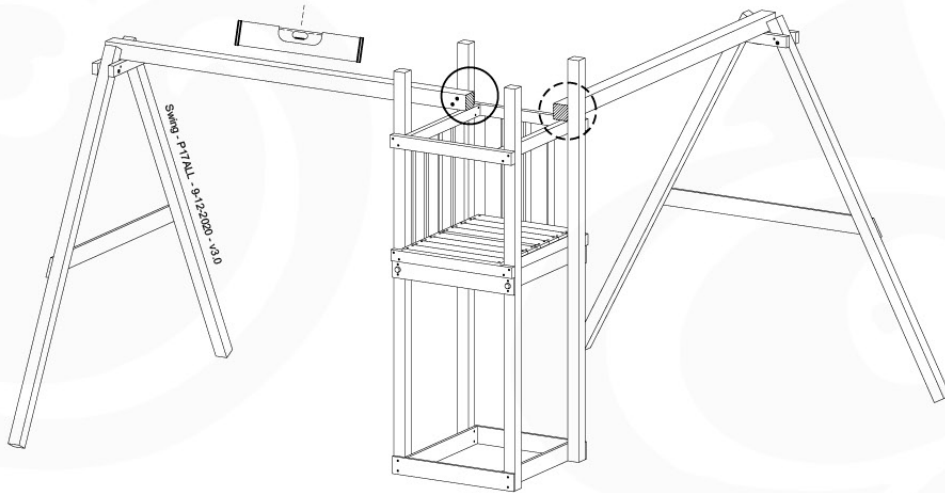
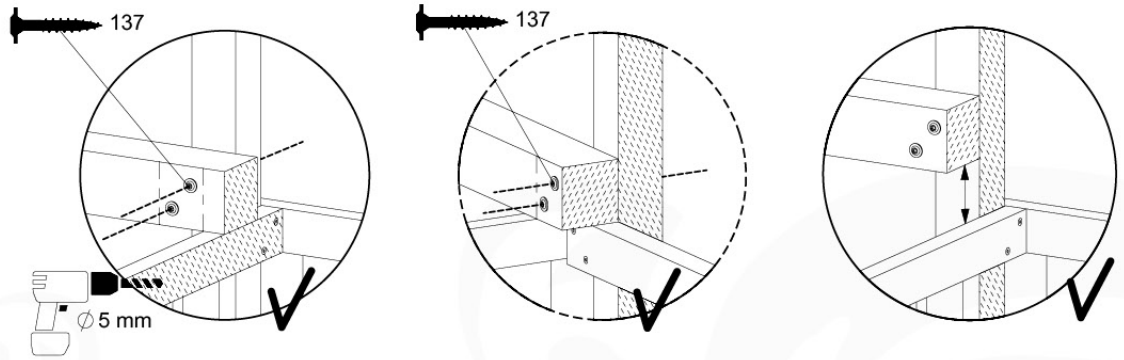
06-6



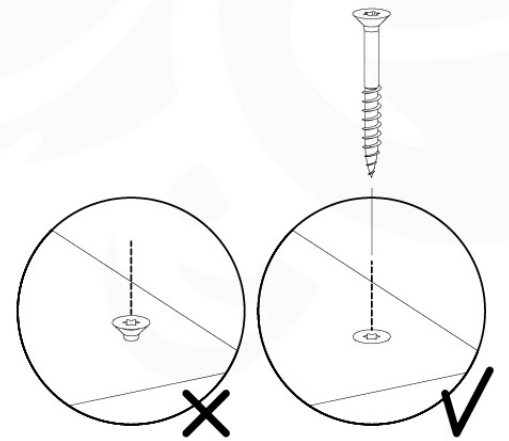
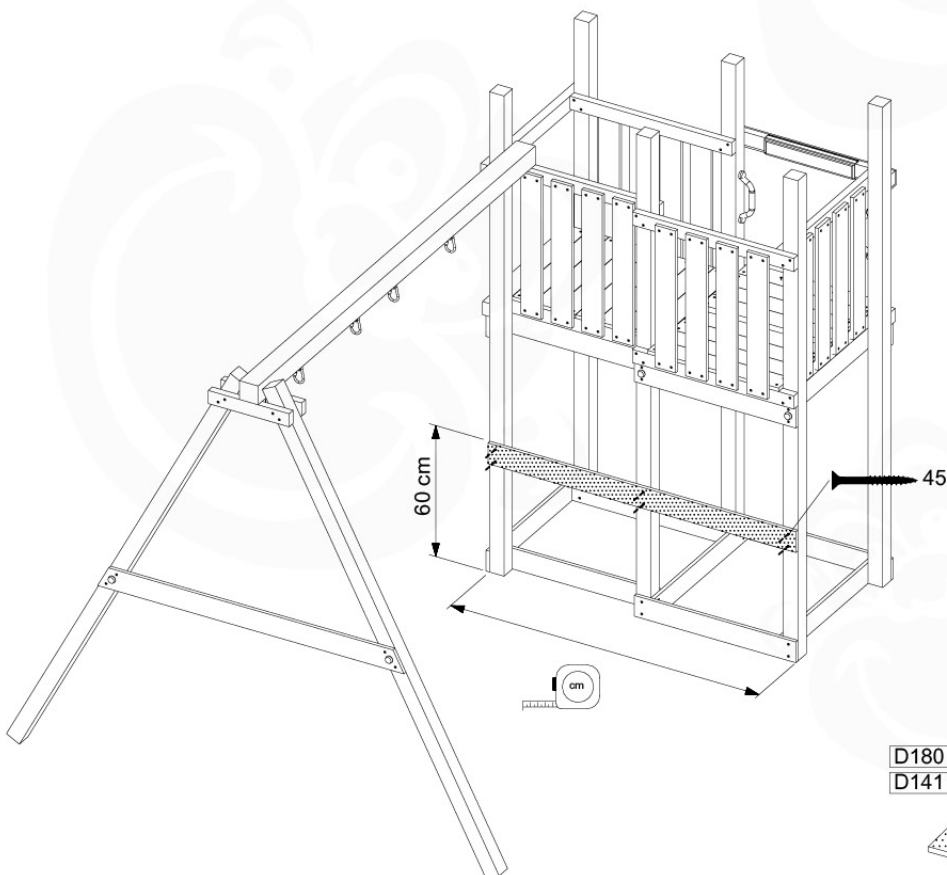
06-7



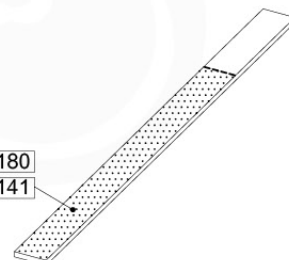
06-8



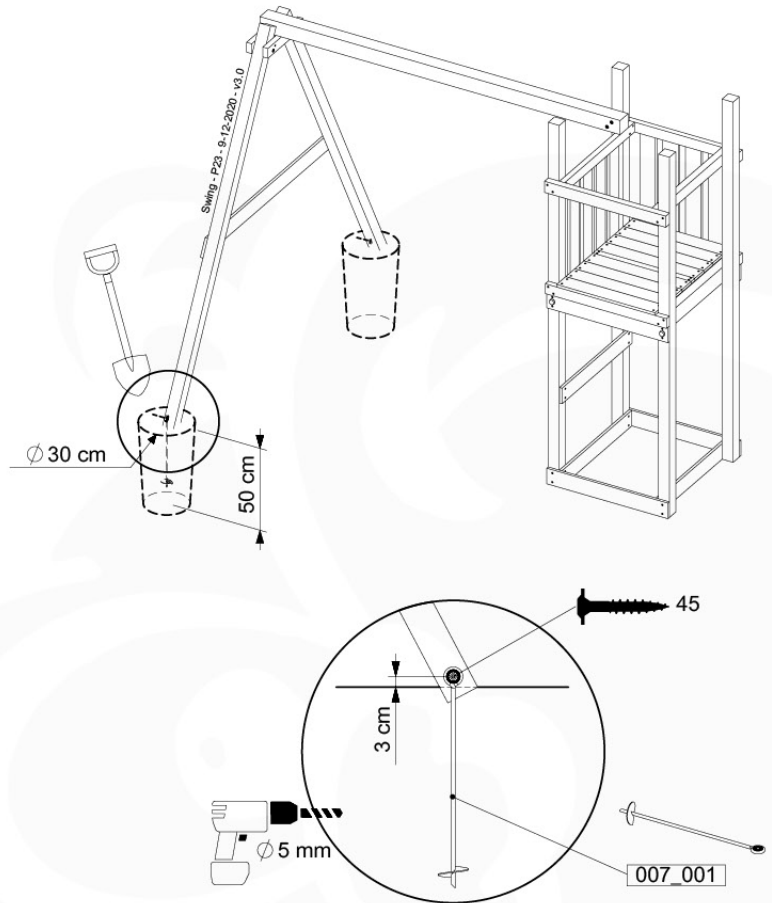
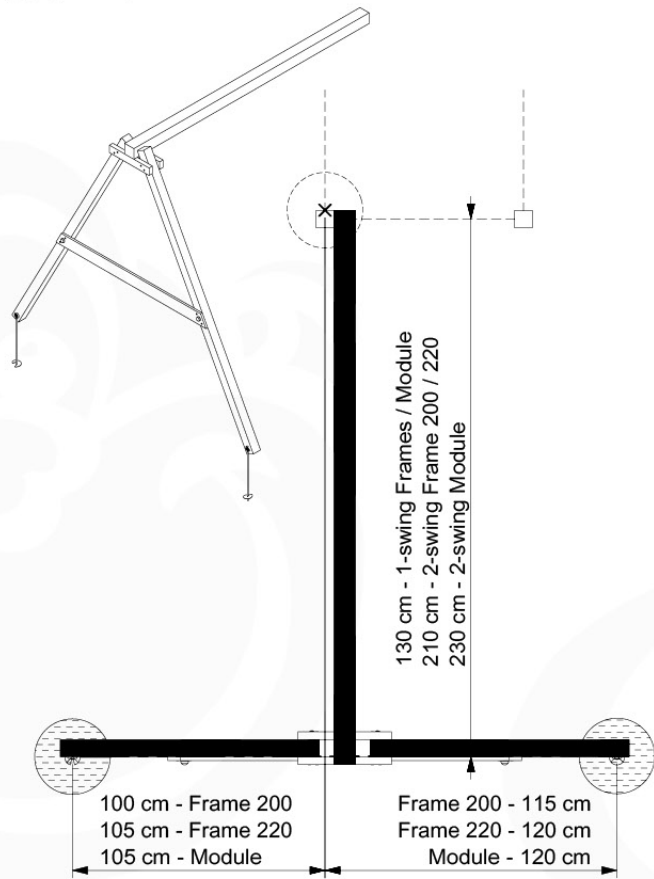
06-9



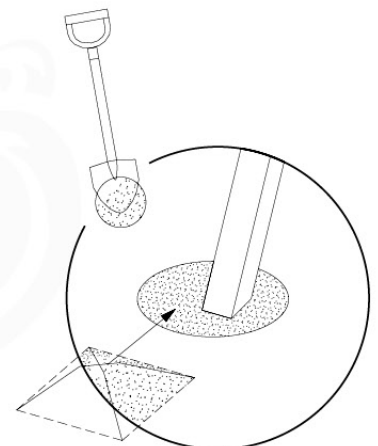
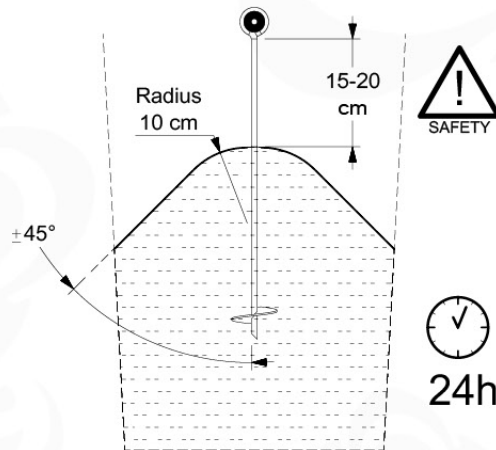
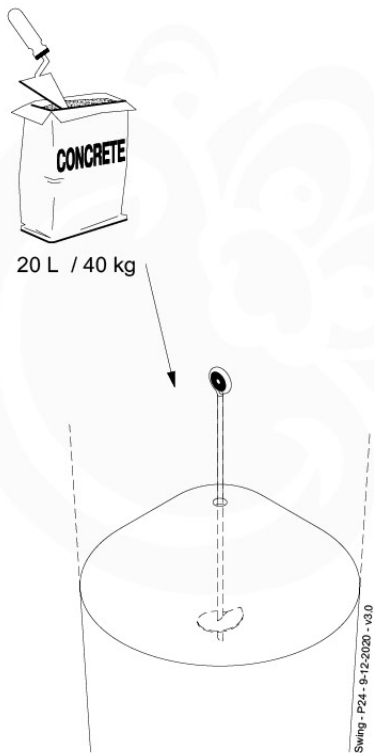
D180
D141



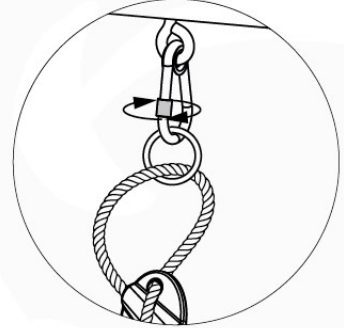
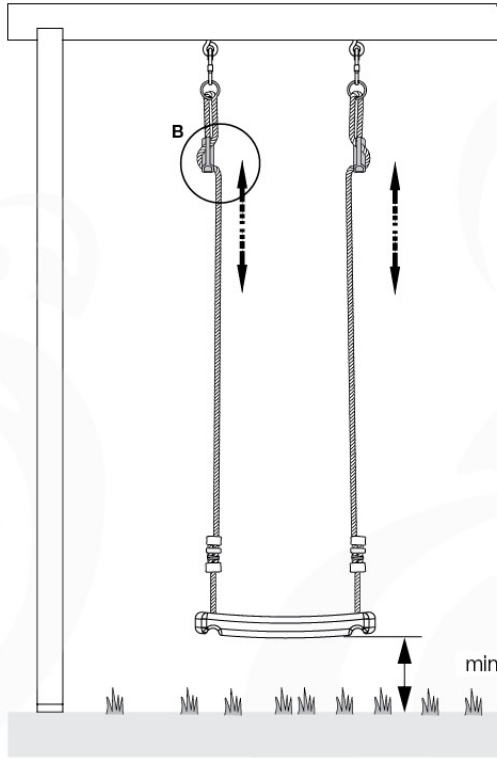
07 -1



07 -2



08



09

